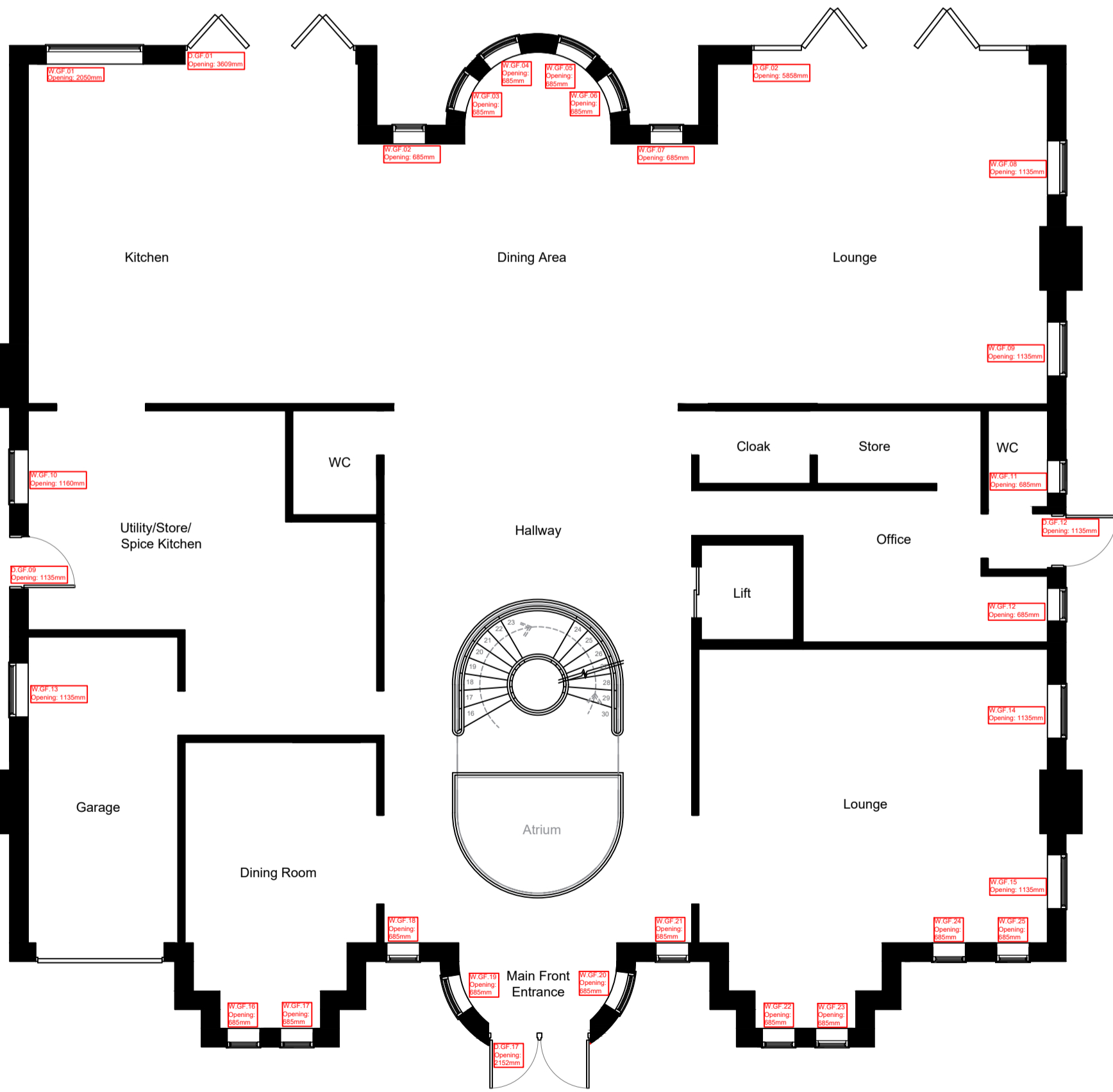
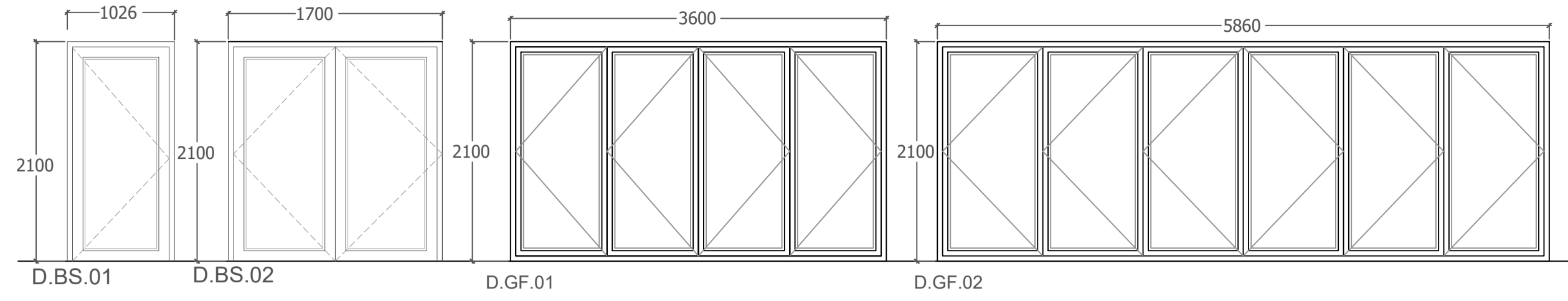


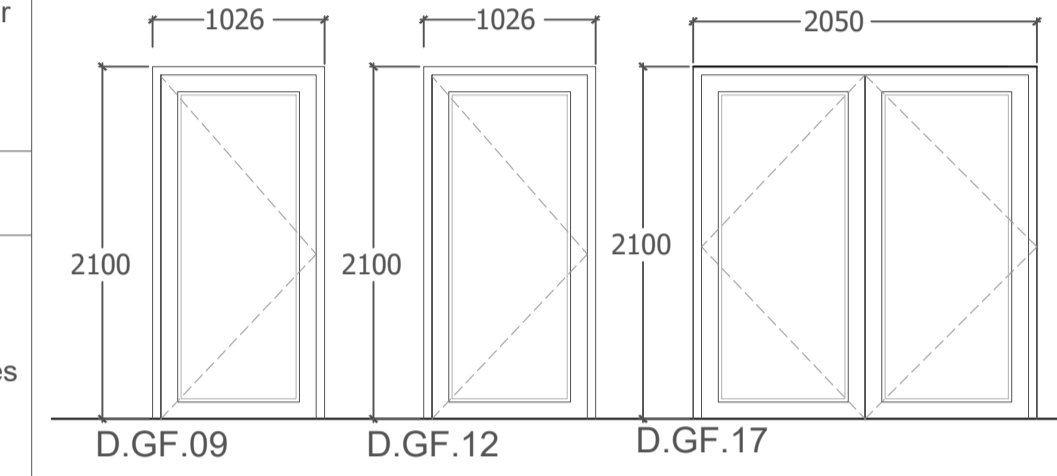
PROPOSED GENERAL LAYOUT BASEMENT FLOOR PLAN 1:100



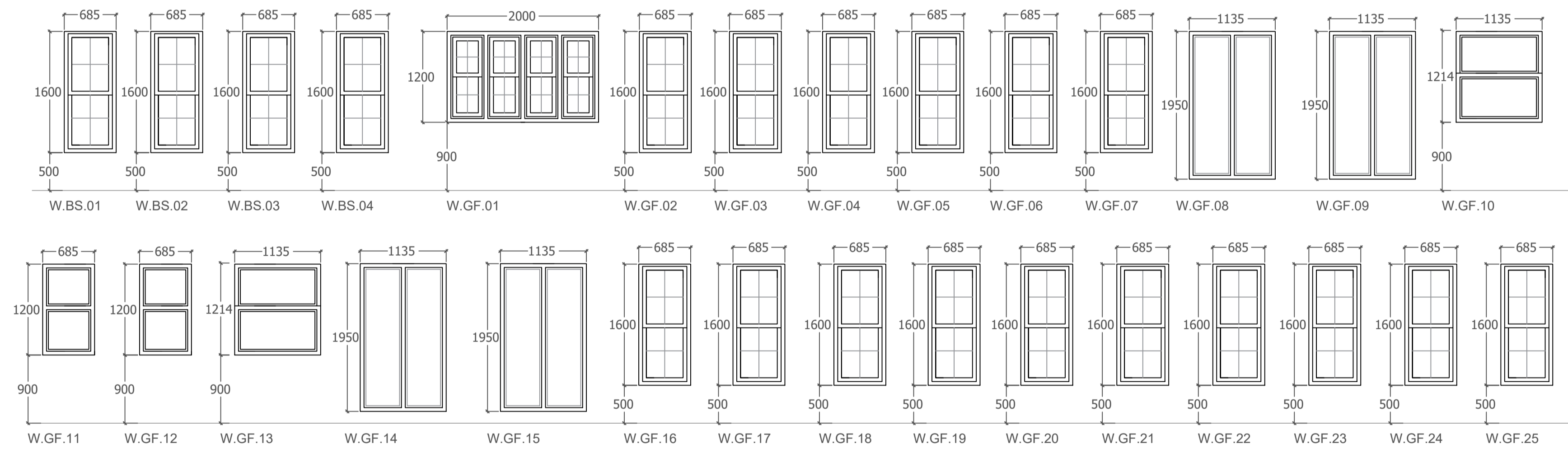
PROPOSED GENERAL LAYOUT GROUND FLOOR PLAN 1:100



INFO	D.BS.01	D.BS.02	D.GF.01	D.GF.02	D.GF.09	D.GF.12	D.GF.17
Qty	1	1	1	1	1	1	1
Area	Pool	Pool	Kitchen	Lounge	Utility	Lobby	Entrance
Dimensions	1026 (w) x 2100 (h) x 44mm	1700 (w) x 2100 (h) x 44mm	3609 (w) x 2100(h) x 44mm	5860(w) x 2100(h) x 44mm	1026 (w) x 2100 (h) x 44mm	1026 (w) x 2100 (h) x 44mm	2050 (w) x 2100 (h) x 44mm
Frame	UPvc	UPvc	UPvc	UPvc	UPvc	UPvc	UPvc
Style	Single panel door	Double panel door	Sliding door	Sliding door	Single panel door	Single panel door	Double panel door
Material	UPvc	UPvc	UPvc	UPvc	UPvc	UPvc	UPvc
Ironmongery	All brushed S/S: 3no. Hinges 2no. Lever handles 1no. Lock	All brushed S/S: 3no. Hinges 2no. Lever handles 1no. Lock	All brushed S/S: 3no. Hinges 2no. Lever handles 2no. Lock	All brushed S/S: 3no. Hinges 2no. Lever handles 1no. Lock	All brushed S/S: 3no. Hinges 2no. Lever handles 1no. Lock	All brushed S/S: 3no. Hinges 2no. Lever handles 1no. Lock	All brushed S/S: 3no. Hinges 2no. Lever handles 1no. Lock



DOORS SCHEDULE



INFO	W.BS.01	W.BS.02	W.BS.03	W.BS.04	W.GF.01	W.GF.02	W.GF.03	W.GF.04	W.GF.05	W.GF.06	W.GF.07	W.GF.08	W.GF.09	W.GF.10	W.GF.11	W.GF.12
Area	Pool	Pool	Pool	Pool	Kitchen	Dining Area	Dining Area	Dining Area	Dining Area	Dining Area	Dining Area	Lounge	Lounge	Utility	WC	Office
Height	1600mm	1600mm	1600mm	1600mm	1200mm	1600mm	1600mm	1600mm	1600mm	1600mm	1600mm	1950mm	1950mm	1214mm	1200mm	1200mm
Length	685mm	685mm	685mm	685mm	2000mm	685mm	685mm	685mm	685mm	685mm	685mm	1135mm	1135mm	1135mm	685mm	685mm
Notes	Clear glass	Clear glass	Clear glass	Clear glass	Clear glass	Clear glass	Clear glass	Clear glass	Clear glass	Clear glass	Clear glass	Clear glass	Clear glass	Clear glass	Frosted glass	Clear glass
No. Openings	Sash Window	Sash Window	Sash Window	Sash Window	Sash Window	Sash Window	Sash Window	Sash Window	Sash Window	Sash Window	Sash Window	Fixed Glass	Fixed Glass	Sash Window	Sash Window	Sash Window
Material	UPVC	UPVC	UPVC	UPVC	UPVC	UPVC	UPVC	UPVC	UPVC	UPVC	UPVC	UPVC	UPVC	UPVC	UPVC	UPVC
Notes	RW38D Glazing	RW38D Glazing	RW38D Glazing	RW38D Glazing	RW38D Glazing	RW38D Glazing	RW38D Glazing	RW38D Glazing	RW38D Glazing	RW38D Glazing	RW38D Glazing	RW38D Glazing	RW38D Glazing	RW38D Glazing	RW38D Glazing	RW38D Glazing

WINDOWS SCHEDULE

INFO	W.GF.13	W.GF.14	W.GF.15	W.GF.16	W.GF.17	W.GF.18	W.GF.19	W.GF.20	W.GF.21	W.GF.22	W.GF.23	W.GF.24	W.GF.25
Area	Garage	Lounge	Lounge	Dining Room	Dining Room	Hallway	Entrance	Entrance	Hallway	Lounge	Lounge	Lounge	Lounge
Height	1214mm	1950mm	1950mm	1600mm	1600mm	1600mm	1600mm	1600mm	1600mm	1600mm	1600mm	1600mm	1600mm
Length	1135mm	1135mm	1135mm	685mm	685mm	685mm	685mm	685mm	685mm	685mm	685mm	685mm	685mm
Notes	Clear glass	Clear glass	Clear glass	Clear glass	Clear glass	Clear glass	Clear glass	Clear glass	Clear glass	Clear glass	Clear glass	Clear glass	Clear glass
No. Openings	Sash Window	Fixed Glass	Fixed Glass	Sash Window	Sash Window	Sash Window	Sash Window	Sash Window	Sash Window	Sash Window	Sash Window	Sash Window	Sash Window
Material	UPVC	UPVC	UPVC	UPVC	UPVC	UPVC	UPVC	UPVC	UPVC	UPVC	UPVC	UPVC	UPVC
Notes	RW38D Glazing	RW38D Glazing	RW38D Glazing	RW38D Glazing	RW38D Glazing	RW38D Glazing	RW38D Glazing	RW38D Glazing	RW38D Glazing	RW38D Glazing	RW38D Glazing	RW38D Glazing	RW38D Glazing

WINDOWS SCHEDULE