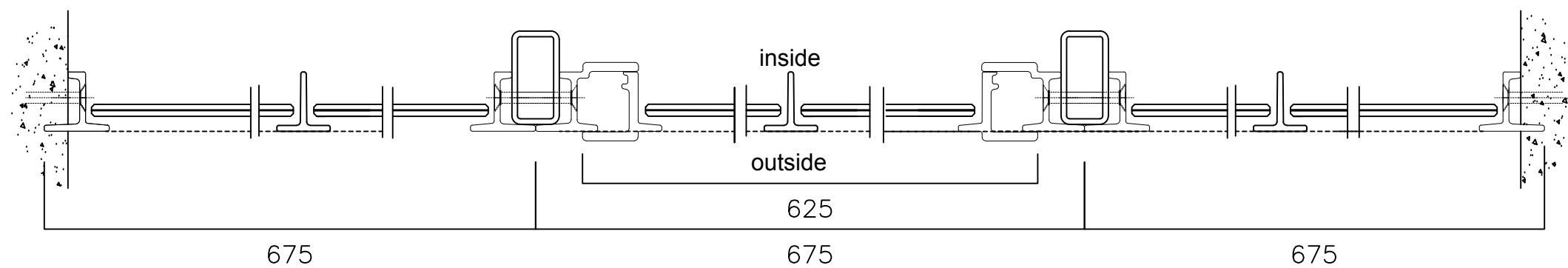
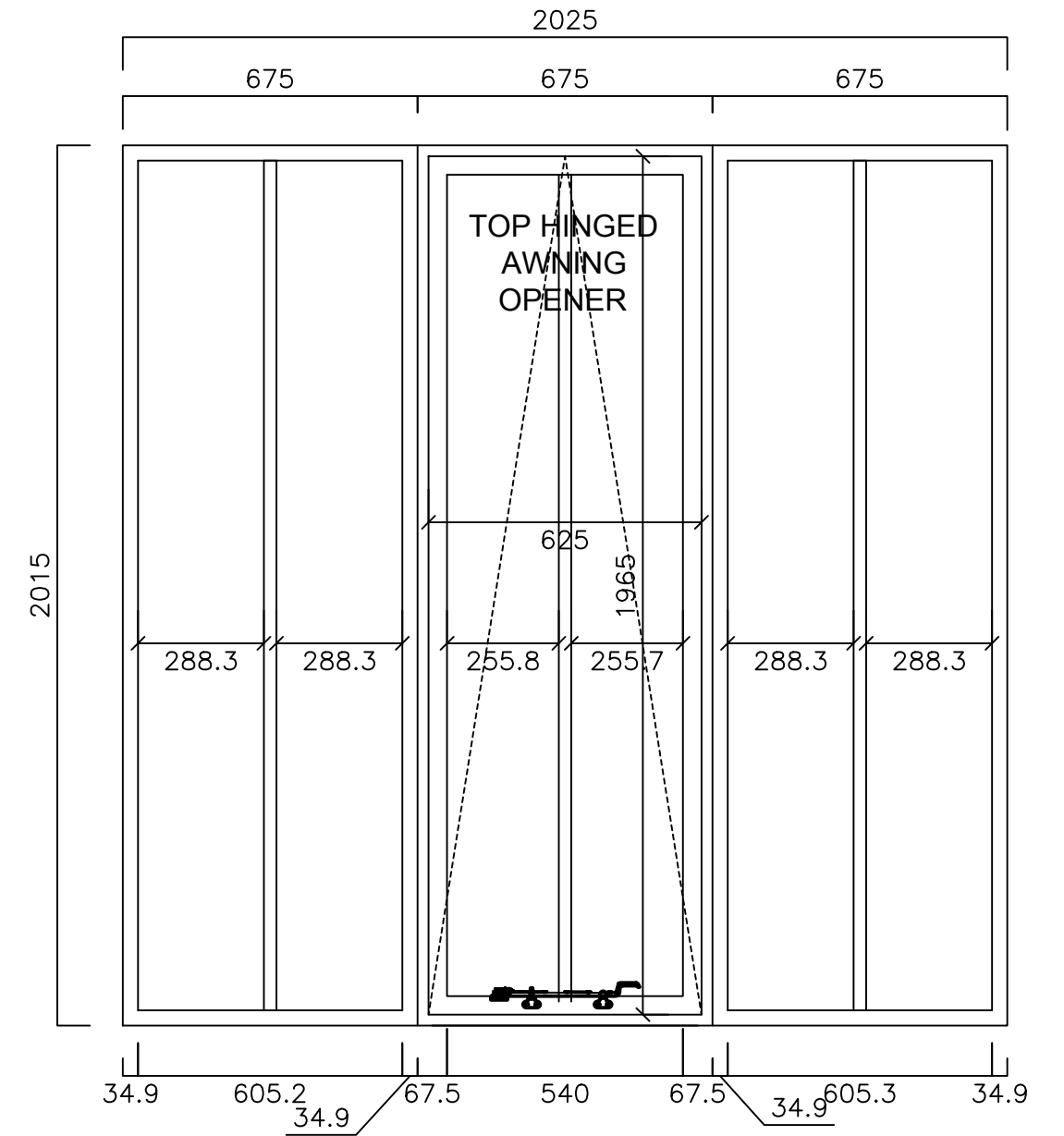
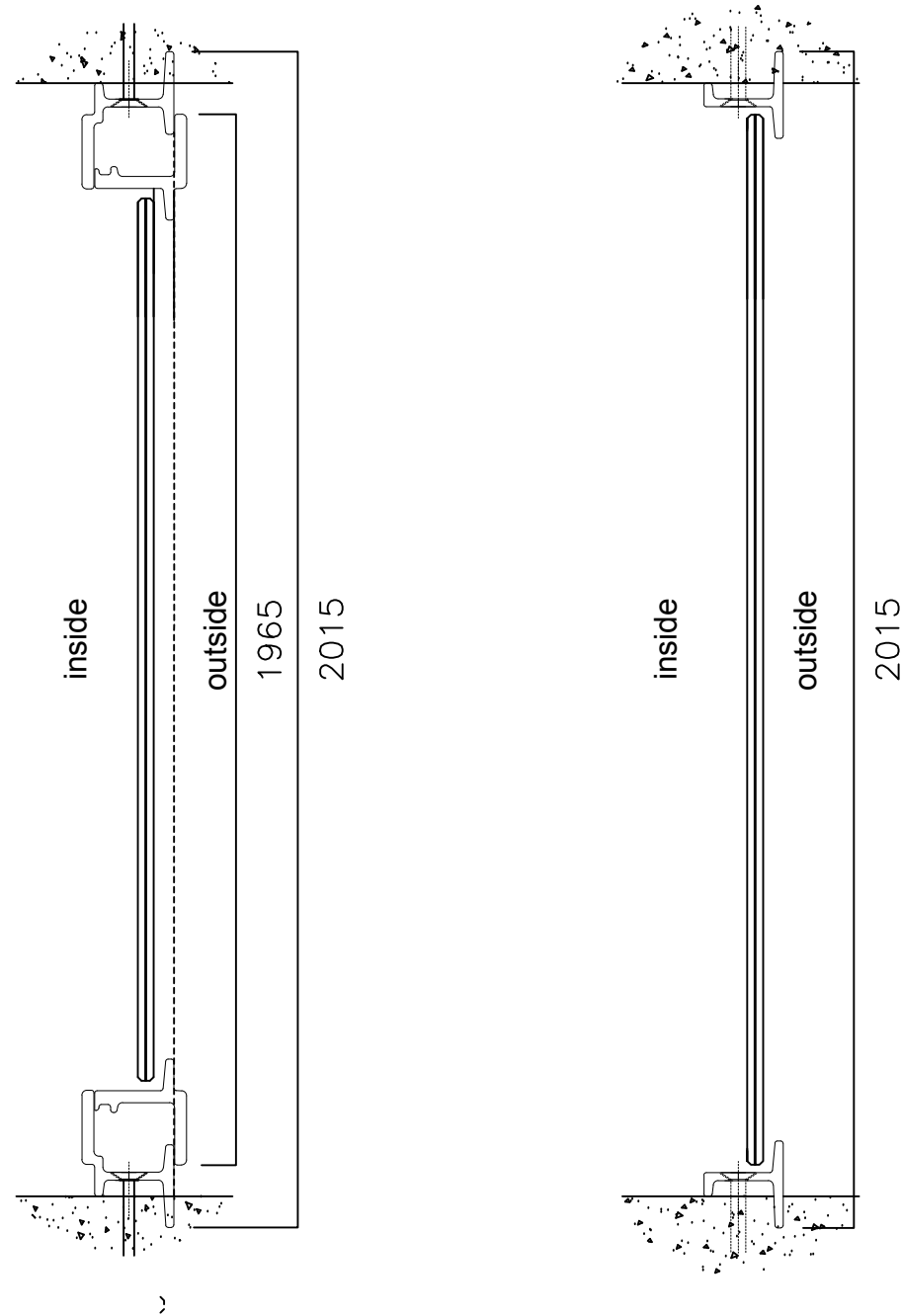


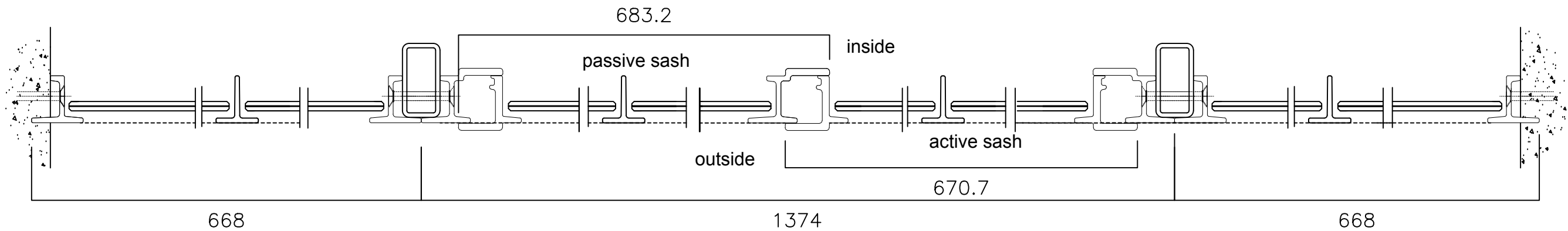
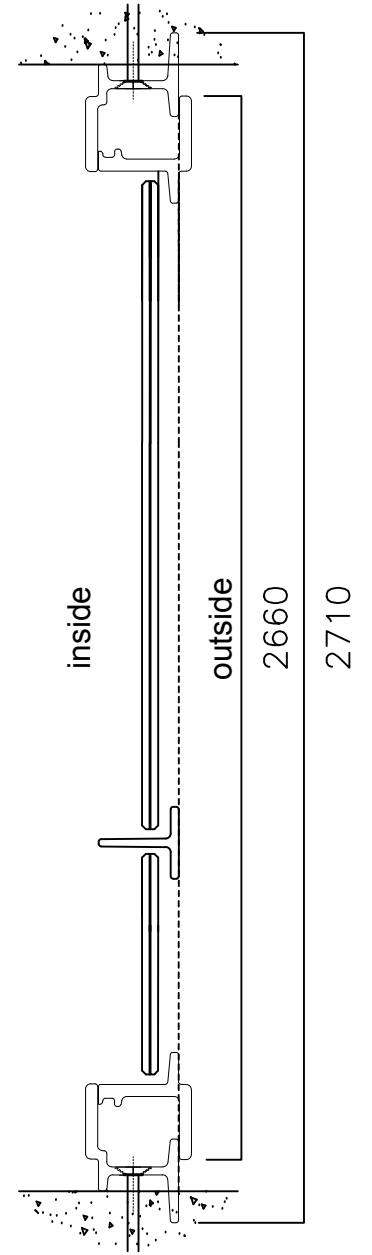
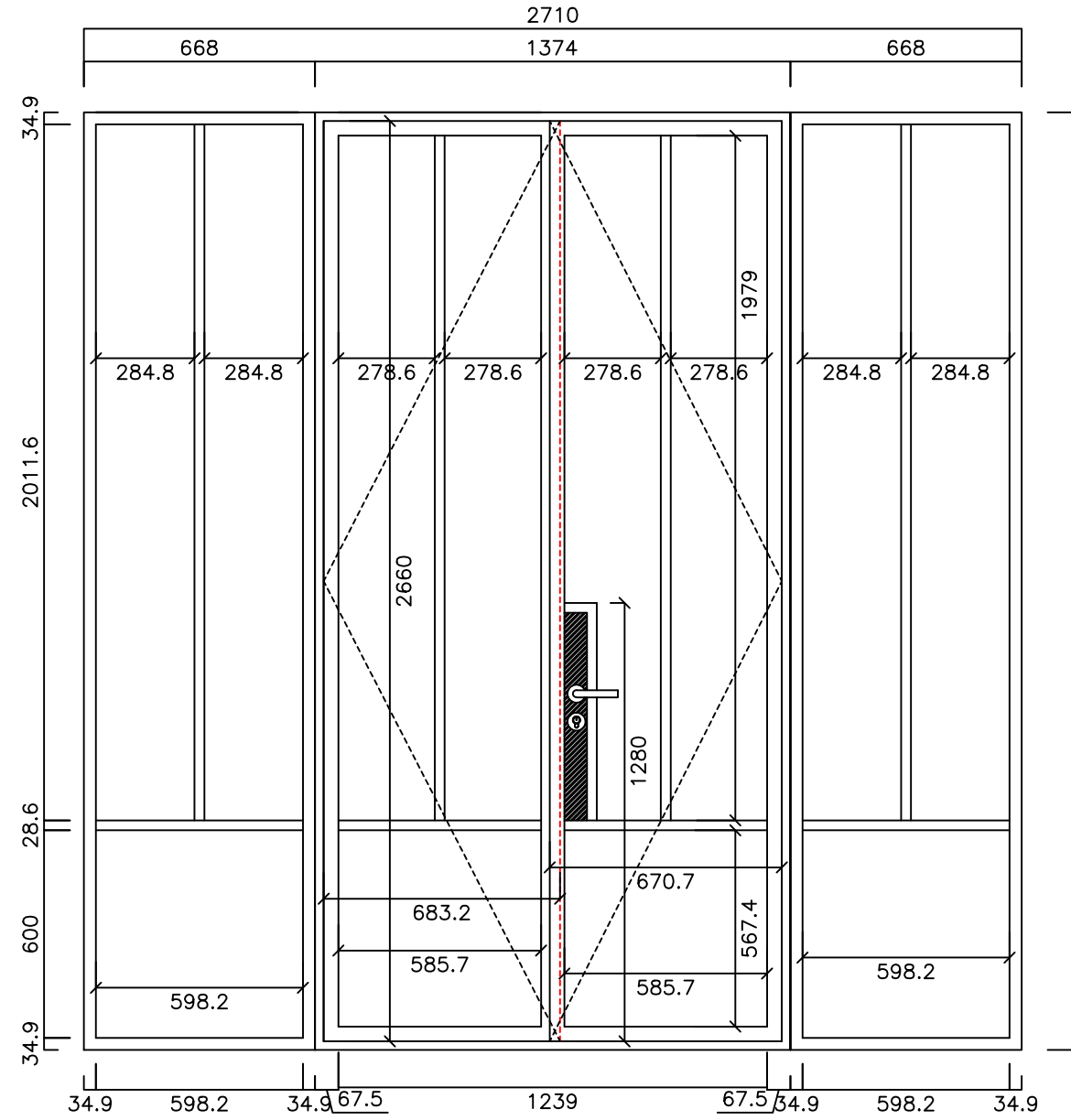
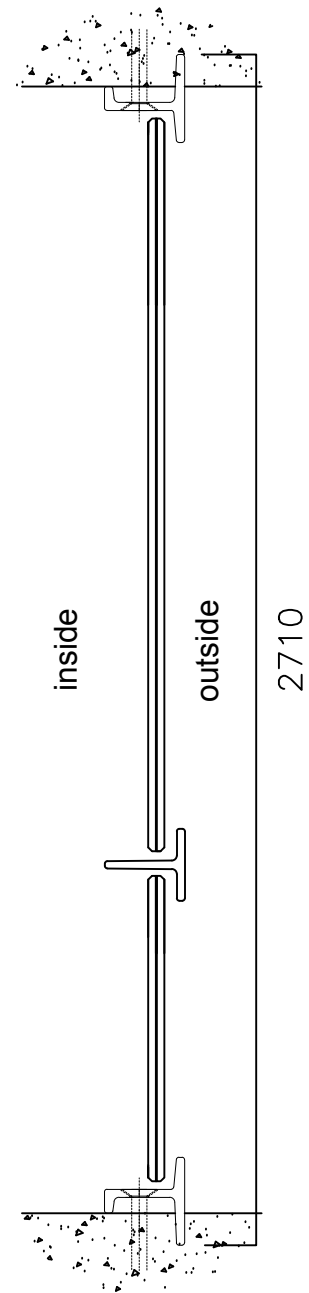
All elevations viewed from outside

WG-15



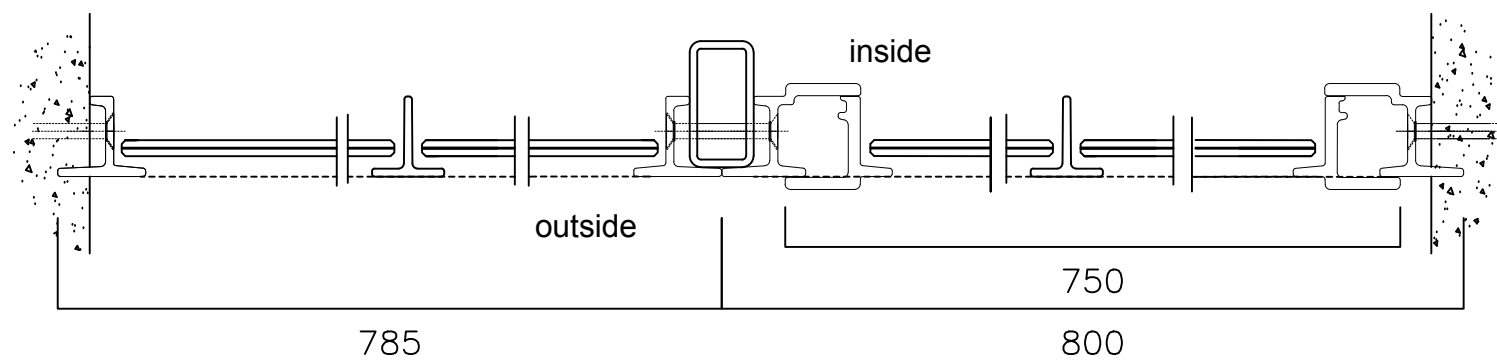
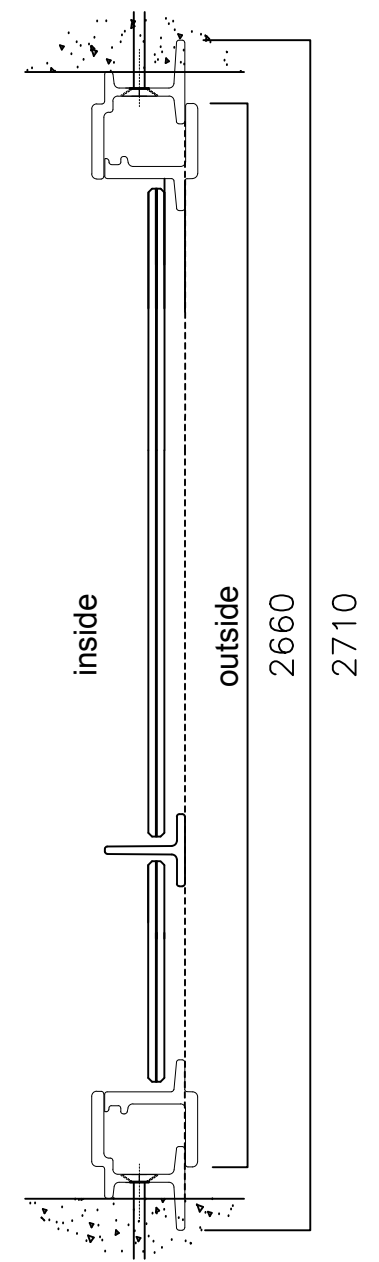
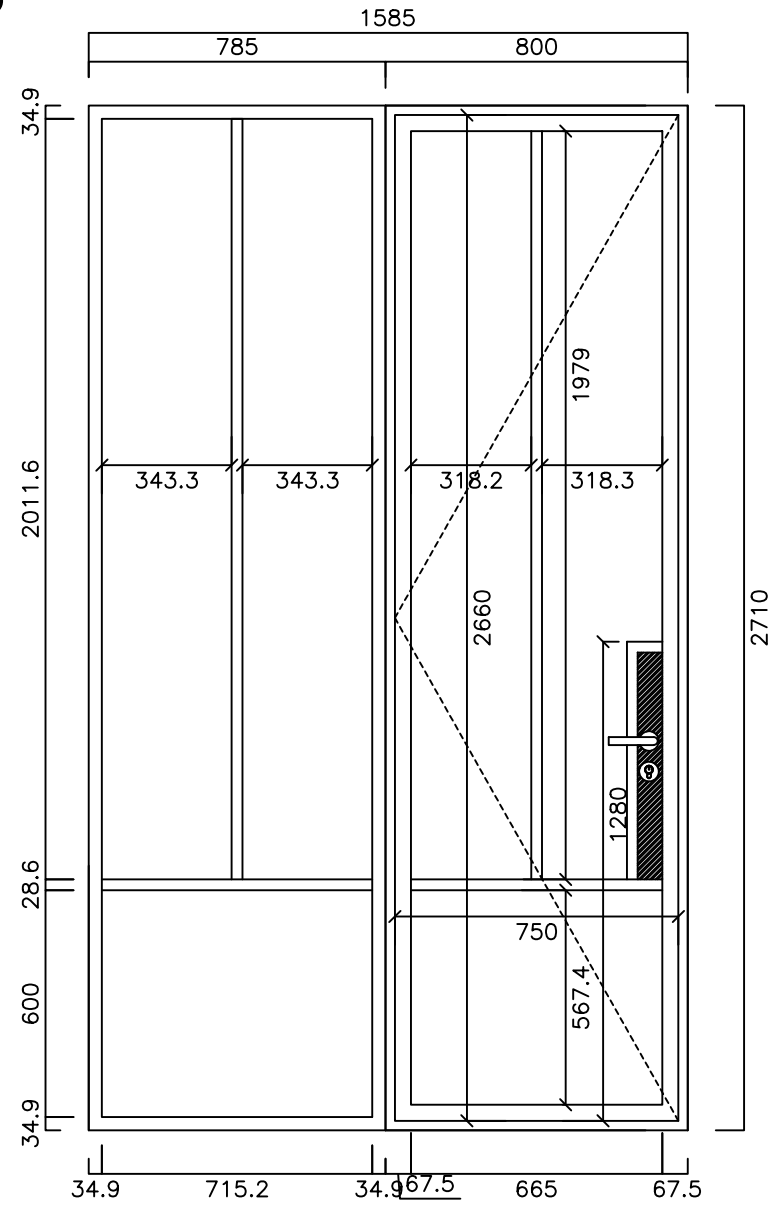
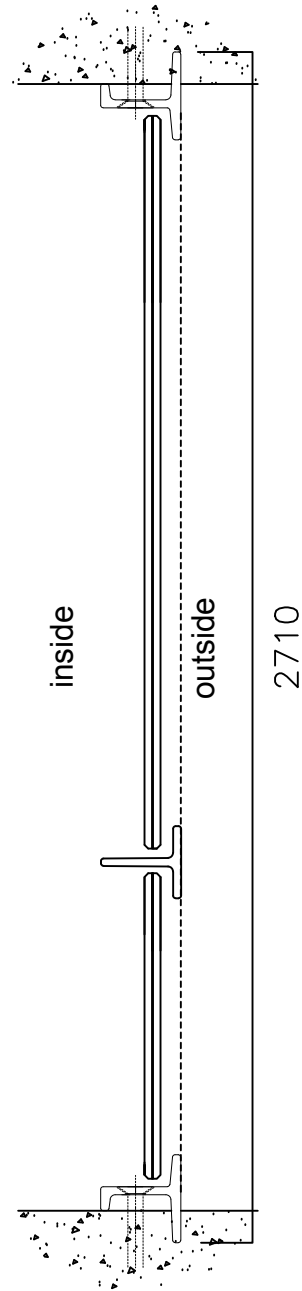
DG-16

All elevations viewed from outside



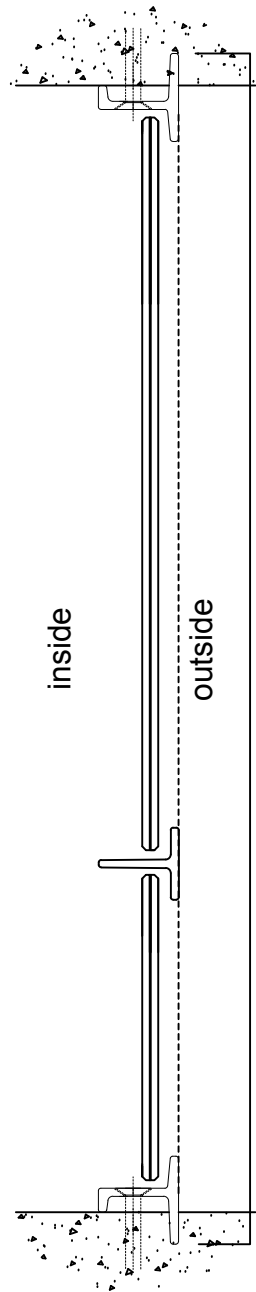
All elevations viewed from outside

DG-15



All elevations viewed from outside

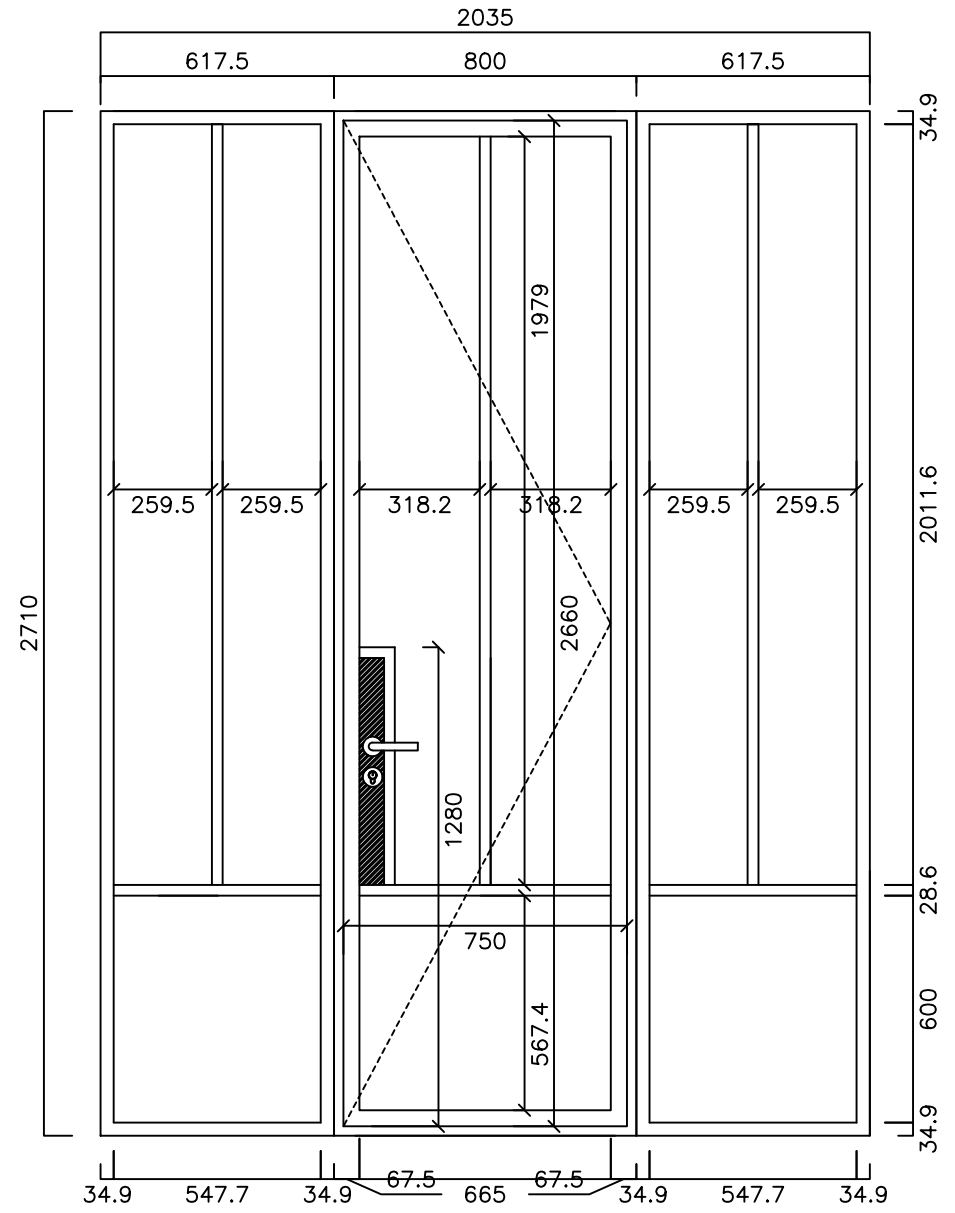
DG-17



2710

inside

outside



2035

617.5

800

617.5

2710

34.9

2011.6

28.6

600

34.9

34.9

547.7

34.9

67.5

665

67.5

34.9

547.7

34.9

259.5

259.5

318.2

318.2

259.5

259.5

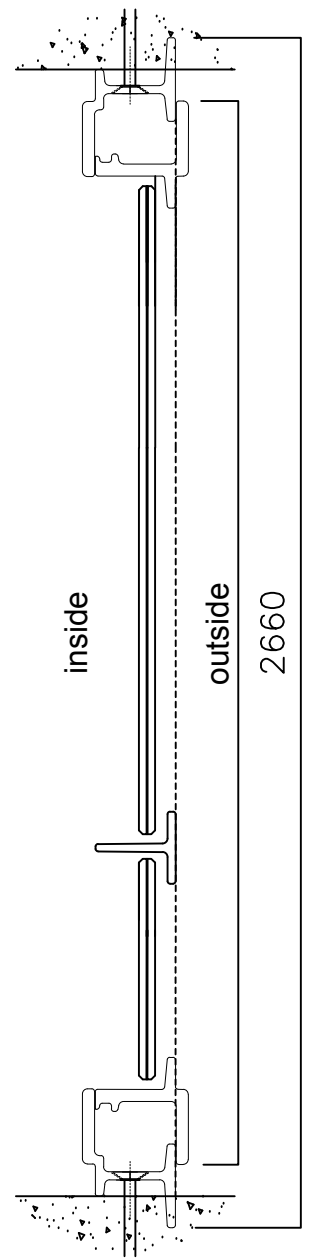
1280

750

567.4

1979

2660

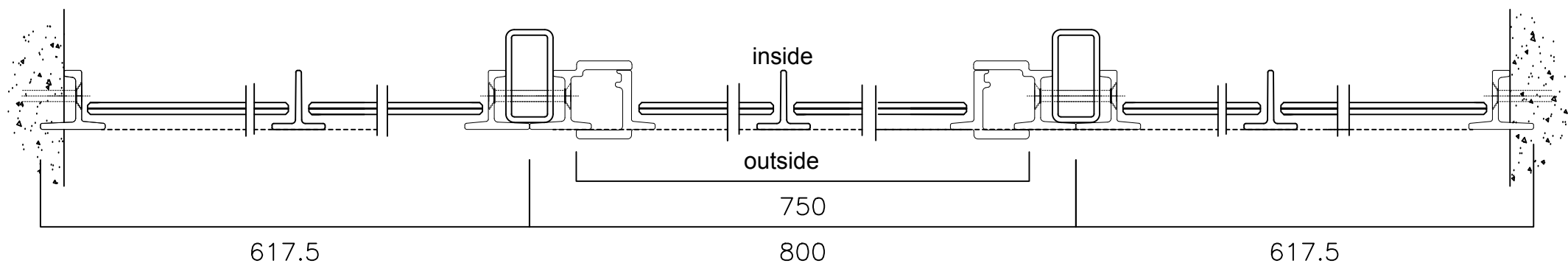


2660

2710

inside

outside



617.5

inside

800

outside

750

617.5

A

B

C

silicon method

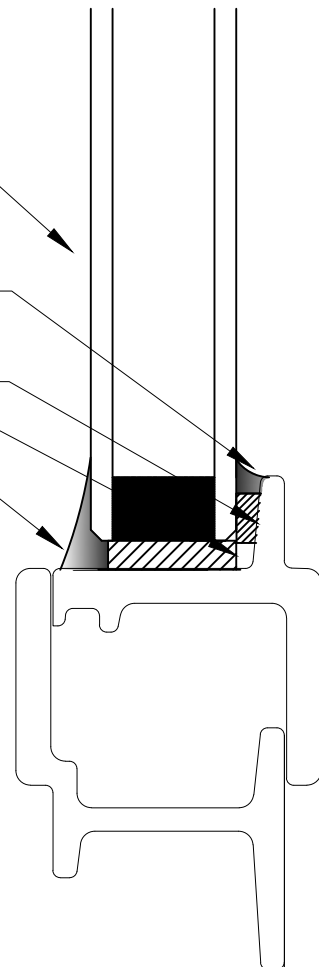
double glazing
up to 24mm thick

silicon capping

glazing tape

glazing packers

silicon or putty
beading



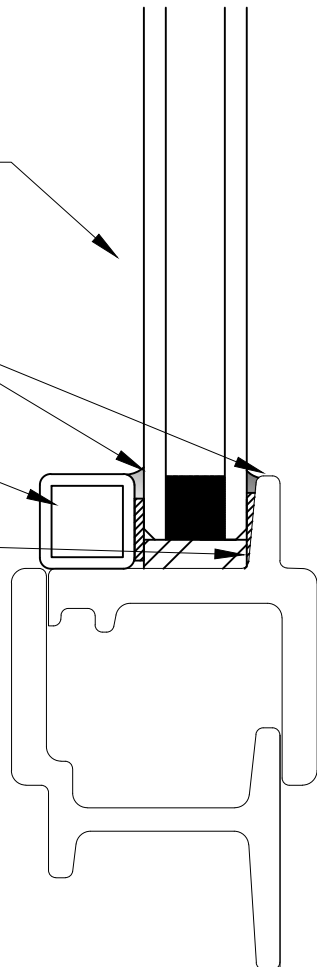
square beads supplied in lengths
cut to size on-site by glaziers
attached with glazing tape

up To 16mm double glazed
(krypton filled IGU's for high
performance).

silicon capping
& glazing tape

square 1/2 inch aluminum
glazing beads

glazing packers



Flat Beads Option. supplied in
lengths cut to size on-site by
glaziers attached with glazing tape

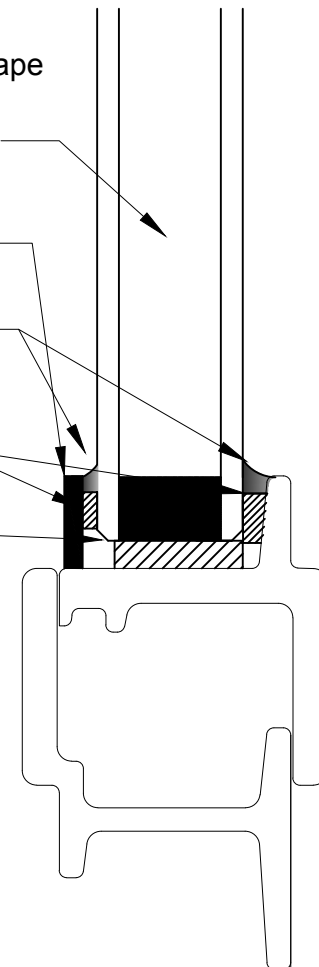
double glazing
24mm thick

flat 1/2 inch aluminium
beads

silicon capping

glazing tape

glazing packers



Powder coated aluminium beads attracts additional
charge of £18+VAT per 2000mm length.

PLEASE CIRCLE SELECTED OPTION: A B C