

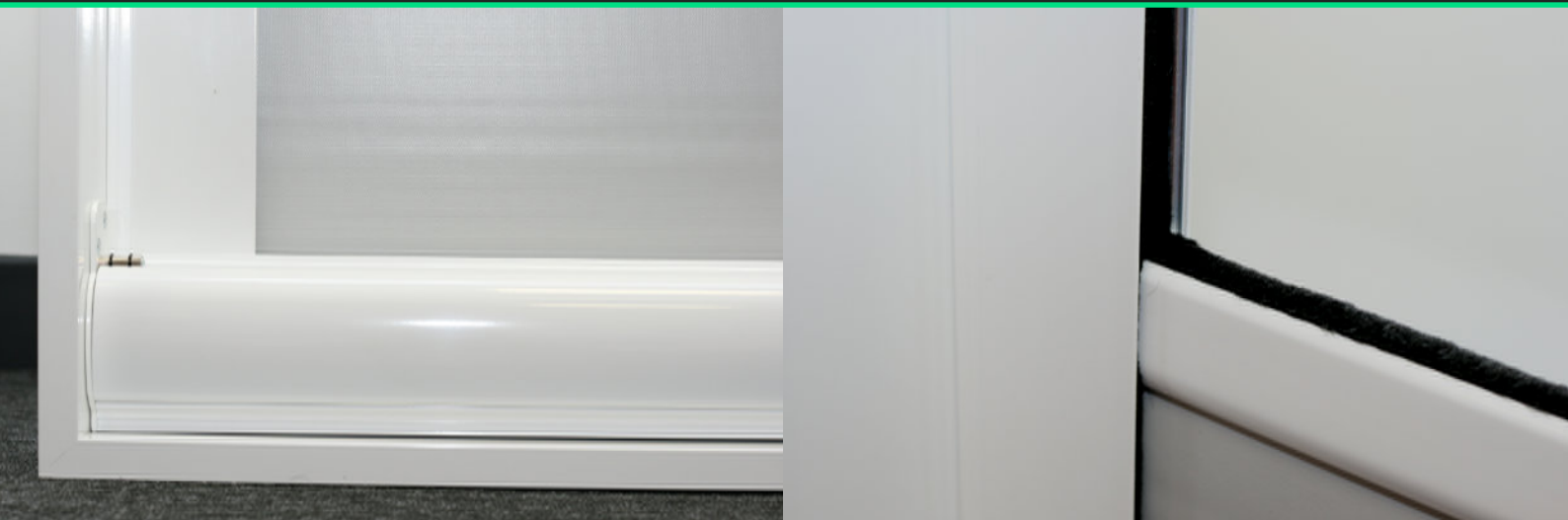


BÜRO CR System (Cassette Rooflight)

BÜRO CR is a full range of cassetted tension roller blinds for horizontal applications. BÜRO CR Systems are manufactured with an extruded aluminium two part head box each end of the opening and extruded aluminium side channels. Cassette sizes are CR83 (83mm), CR110 (110mm). The CRX Systems is a baseline product and is not supplied with a Cassette or side channels. This is a perfect product for smaller rooflight applications.

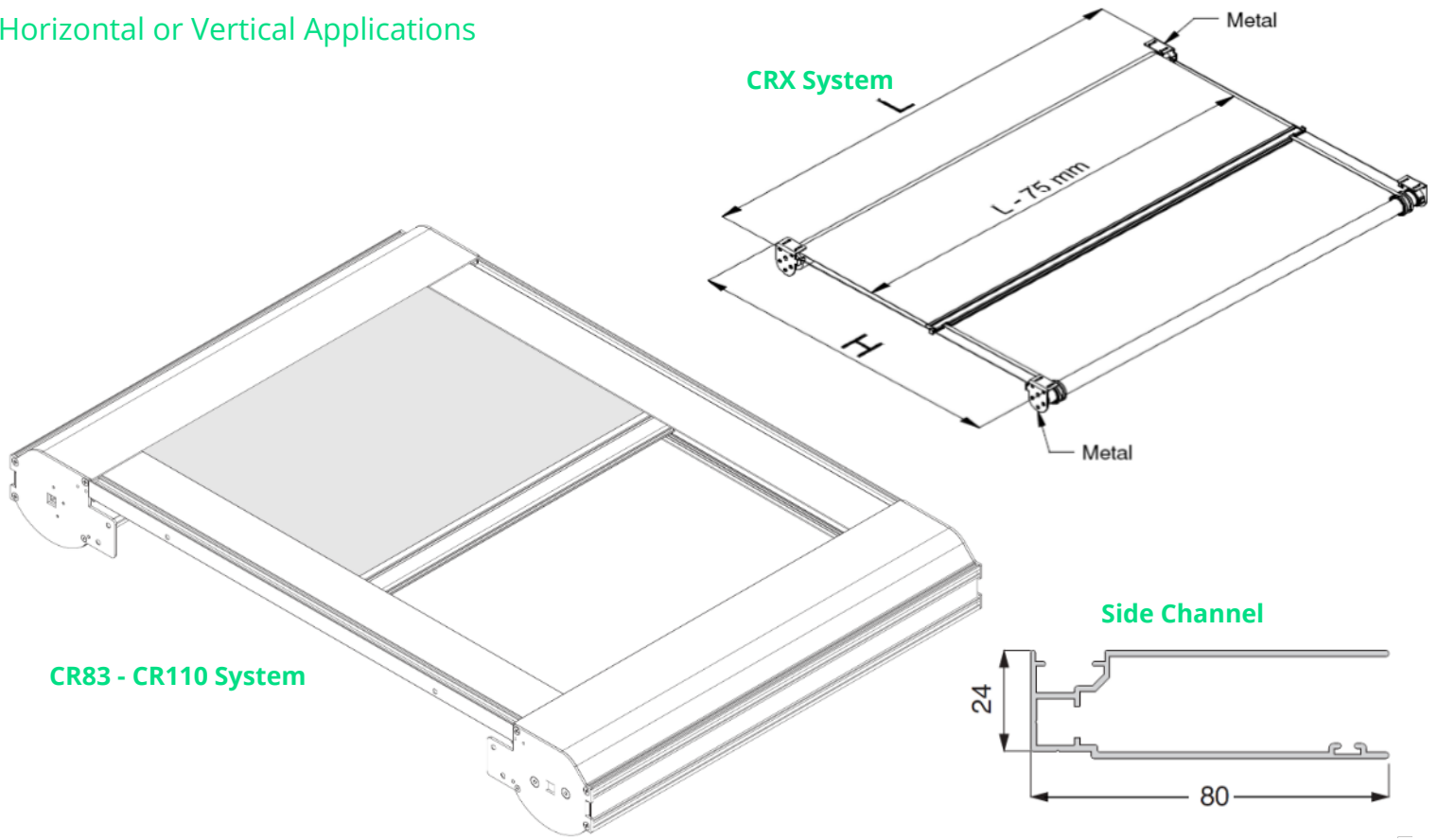
- ✓ Detachable Crank
- ✓ Fixed Crank
- ✓ 240v Hardwired
- ✓ Max. Width 2000mm
- ✓ 240v RTS
- ✓ Max. Drop 3000mm

(see page 8 for compatibility of control options and maximum dimensions with each headbox size)





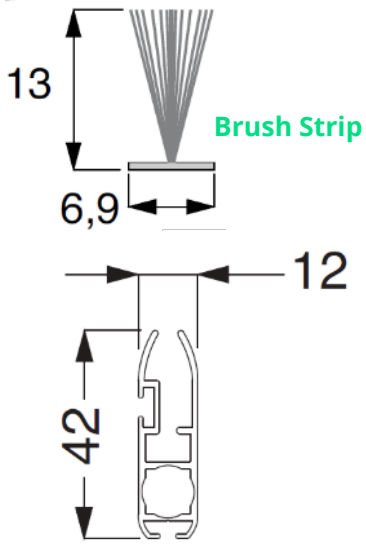
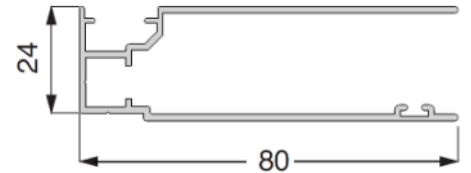
Horizontal or Vertical Applications



CR83 - CR110 System

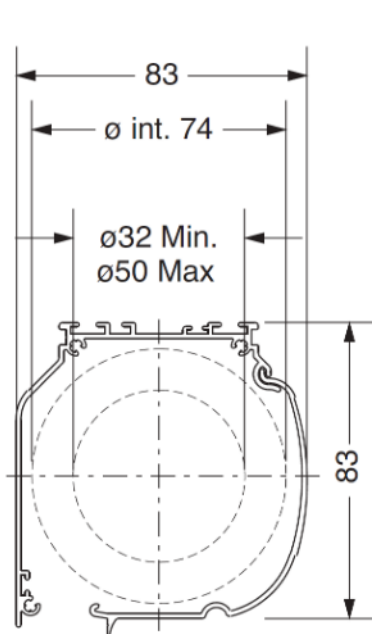
CRX System

Side Channel

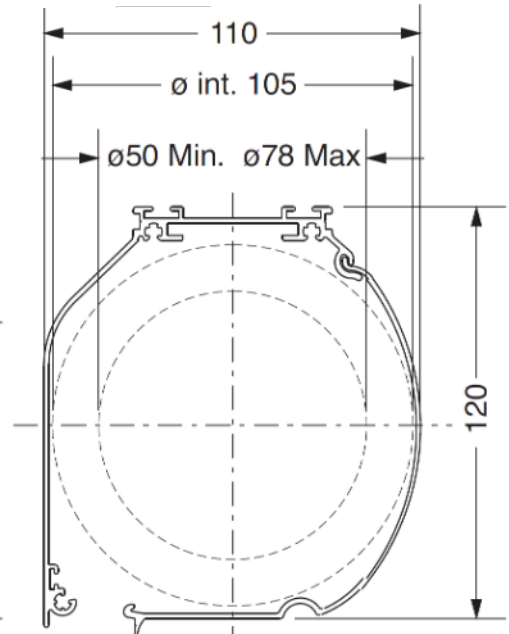


Brush Strip

Hem Bar



CR83



CR110