

**Blinds for 7 marina view
Buckden Marina
mill road
buckden
PE195QS**

**Nick hamilton Mobile 07427132727
email : nicholashamilton@mac.com**

WG01 - 4 equal units (sliding doors) - extension

Full high louvers 76mm

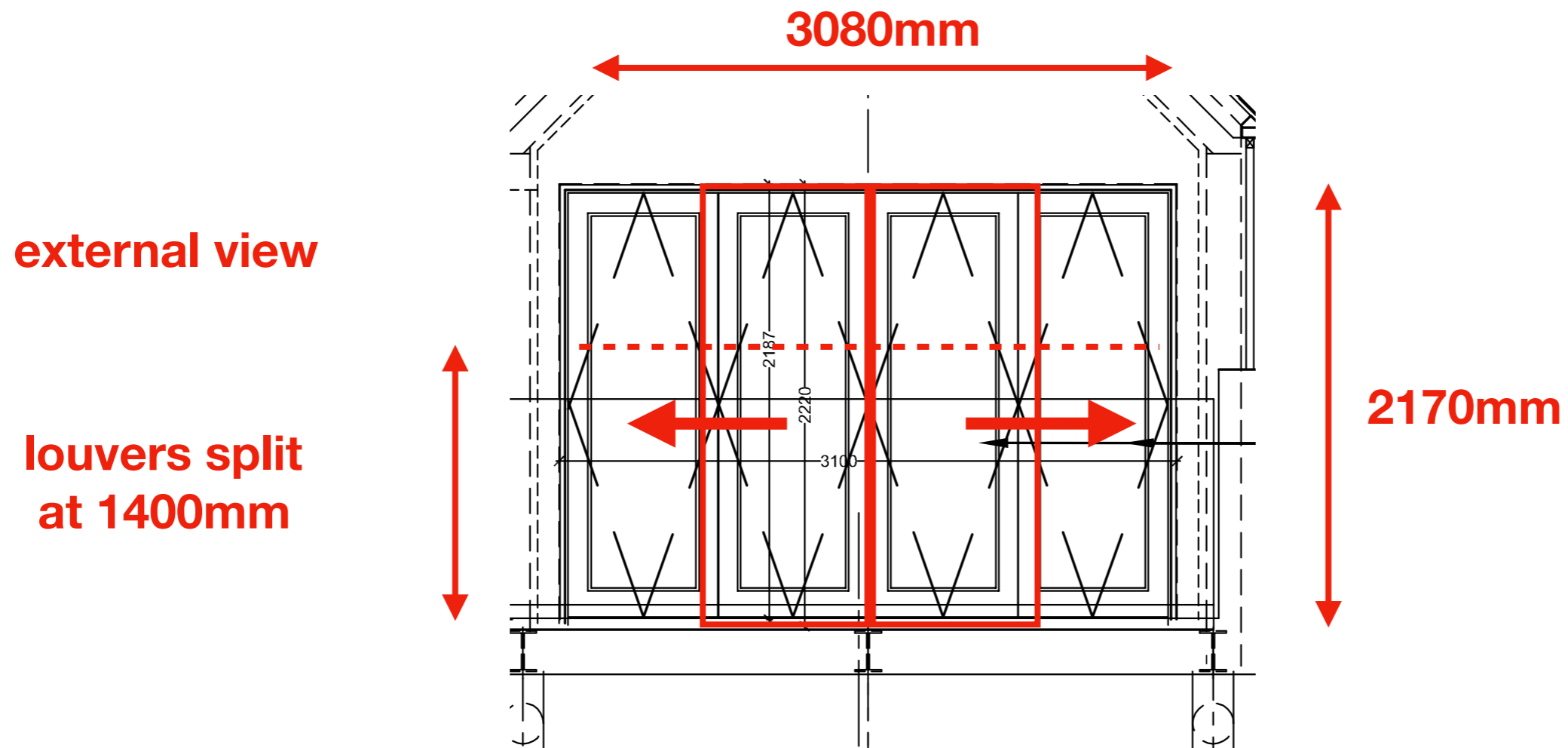
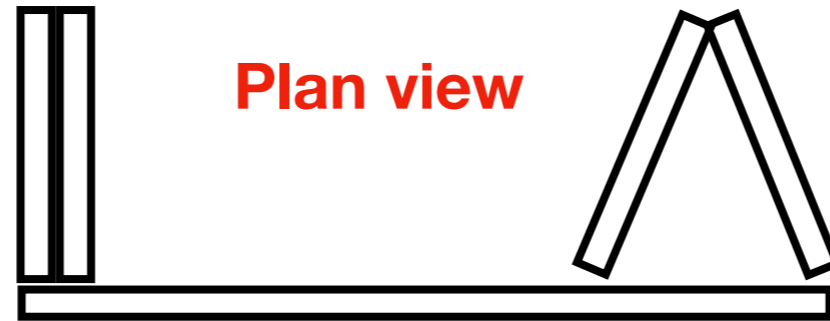
colour finish

split mechanism (three quarters high 1400mm) so bottom operate independently of top

bottom track guide (recessed into floor)

pull ring fitted (one per set) both sets of doors

auto closing of louvers



WG02 - Fix panel window - extension

Full height louvers 76mm

colour finish

split louvers (top set and bottom)

pull ring fitted to both sets of doors

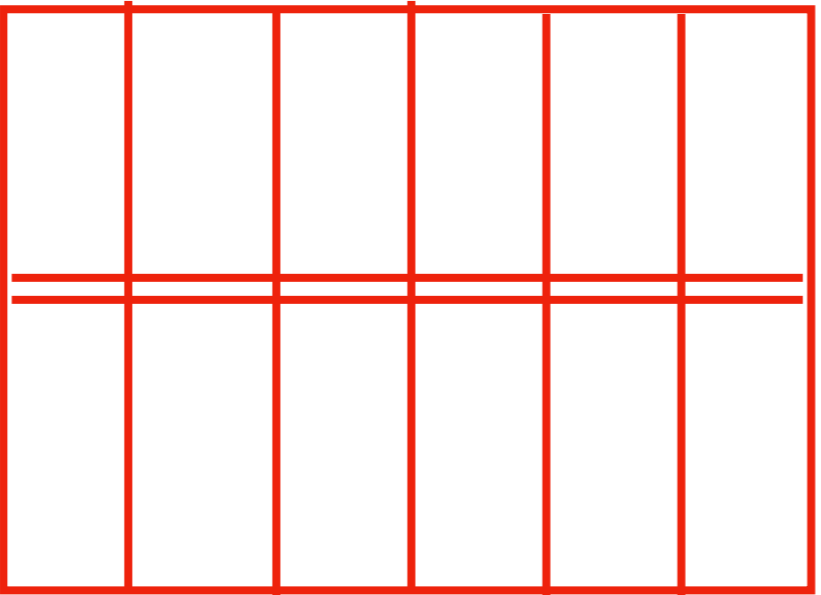
auto closing of louvers

Louvers to open full 180degrees
to stack against internal wall
both sides

Plan view



2425



1625mm



three blind per side

WG03 - WG04 - three equal panels (left and right opening)

Full high louvers 76mm

colour finish

split mechanism (equal top and bottom) so bottom operate independently of top

By pass system - bottom track guide (recessed into work surface) track is longer so louvers can be built into a false wall - all three blinds go in the same direction



WG03

Width 1500mm

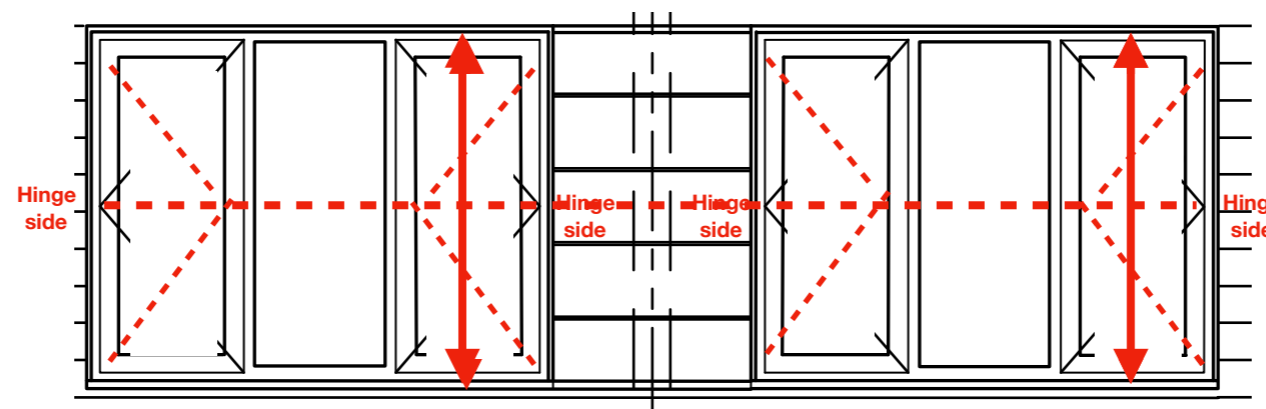


WG04

Width 1475mm



Hight 1115mm



Hight 1115mm

exterior view

Please can we quote this as louvres and have an alternative if it was a roller blind system (as per the split blind in the show room) the same as we are specially on the door



WG06 - 4 equal units (sliding doors)
central two open

Full high louvers 76mm
colour finish

split mechanism (three quarters) high so bottom operate independently of top

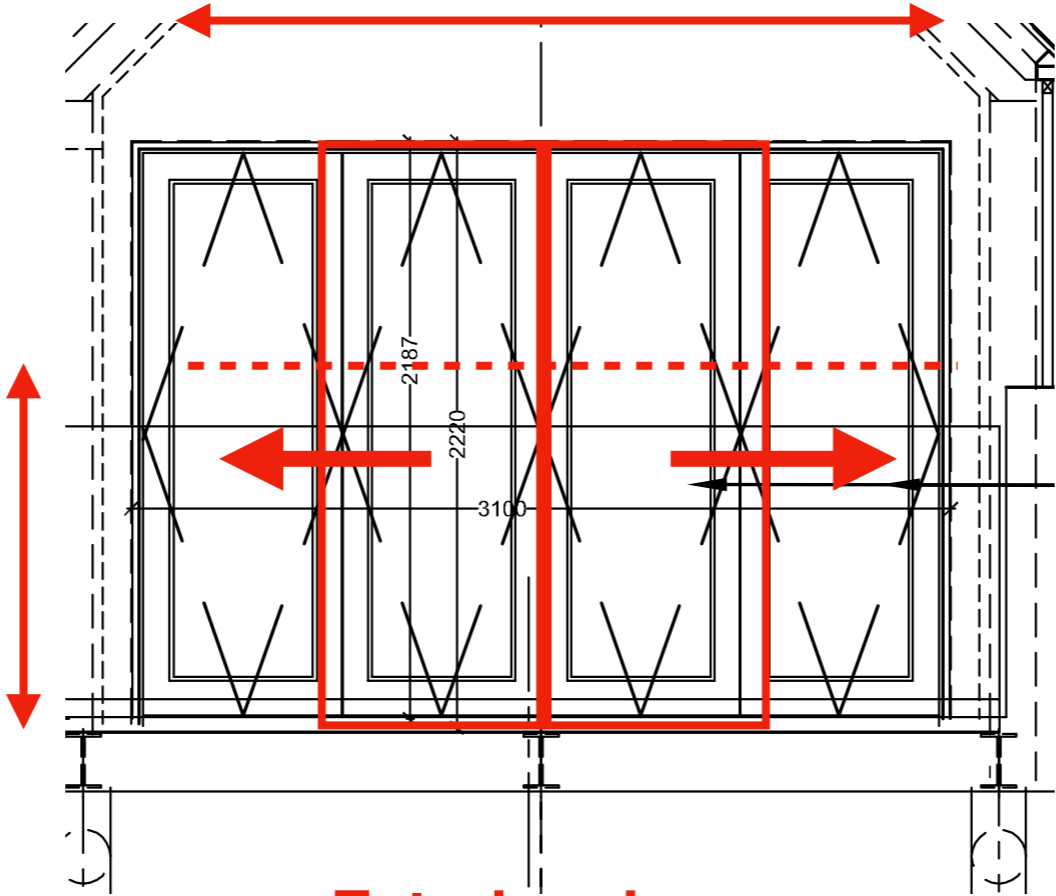
By pass system - bottom track guide (recessed into floor) track is longer so louvers can be built into a false wall

Plan view



track to extend past
widows so
louvers can be built
into wall

3390mm



2070mm

**louvers split
at 1400mm**

Exterior view



window - A WF01(bathroom)

window B WF04 (Bedroom)

(this is two windows) the same but one is in a bathroom

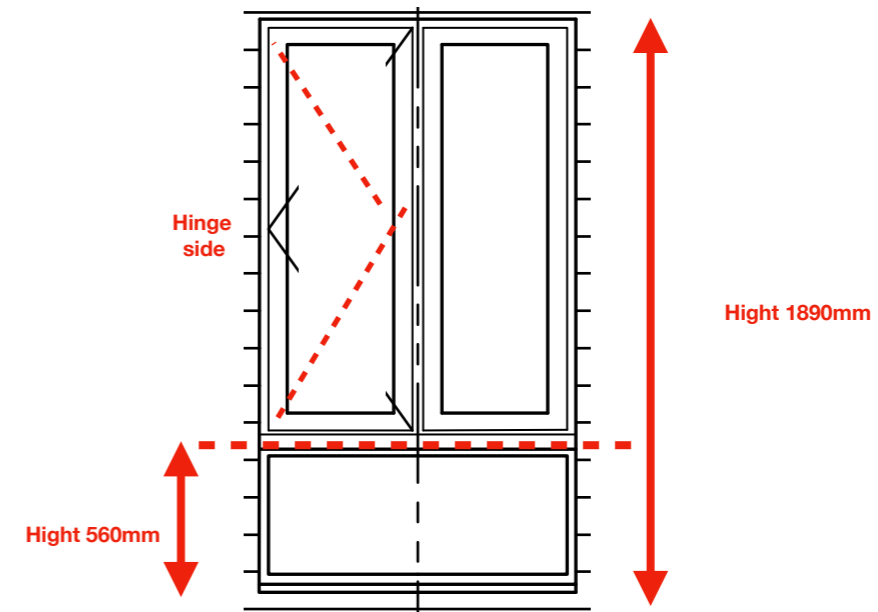
Plan view



Width 910mm



blinds made in 3 parts
top to parts open 180
degrees against wall
bottom square is fitted
on magnets into frame



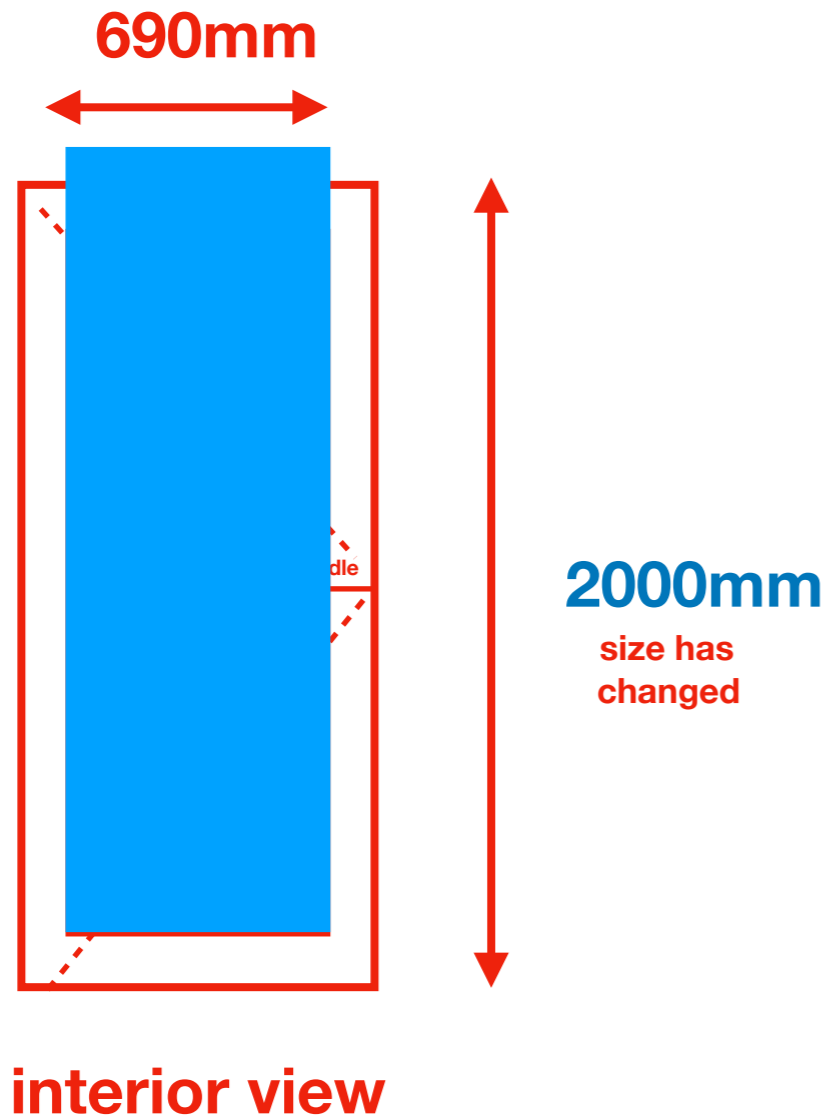
Hight 1890mm

Hight 560mm

Hinge
side

exterior view

EXDG02 - exterior front door (marina) glassed

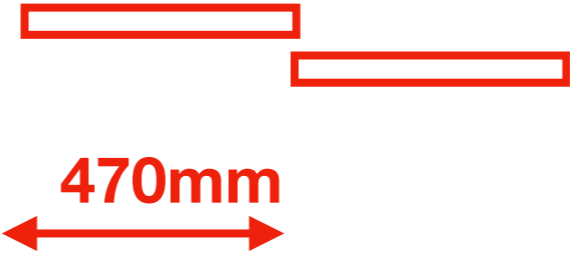


Roller blind ceiling mounted
(as per sample in show room with the sold and clear bands for visibility) and closure

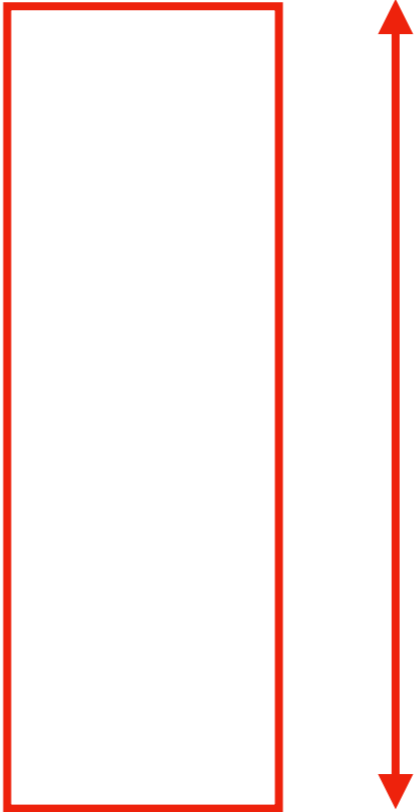
New fixed window - existing lounge

Full height louvers 76mm
colour finish

plan view



hinged to open to right
full 180 to fit flush with
internal wall

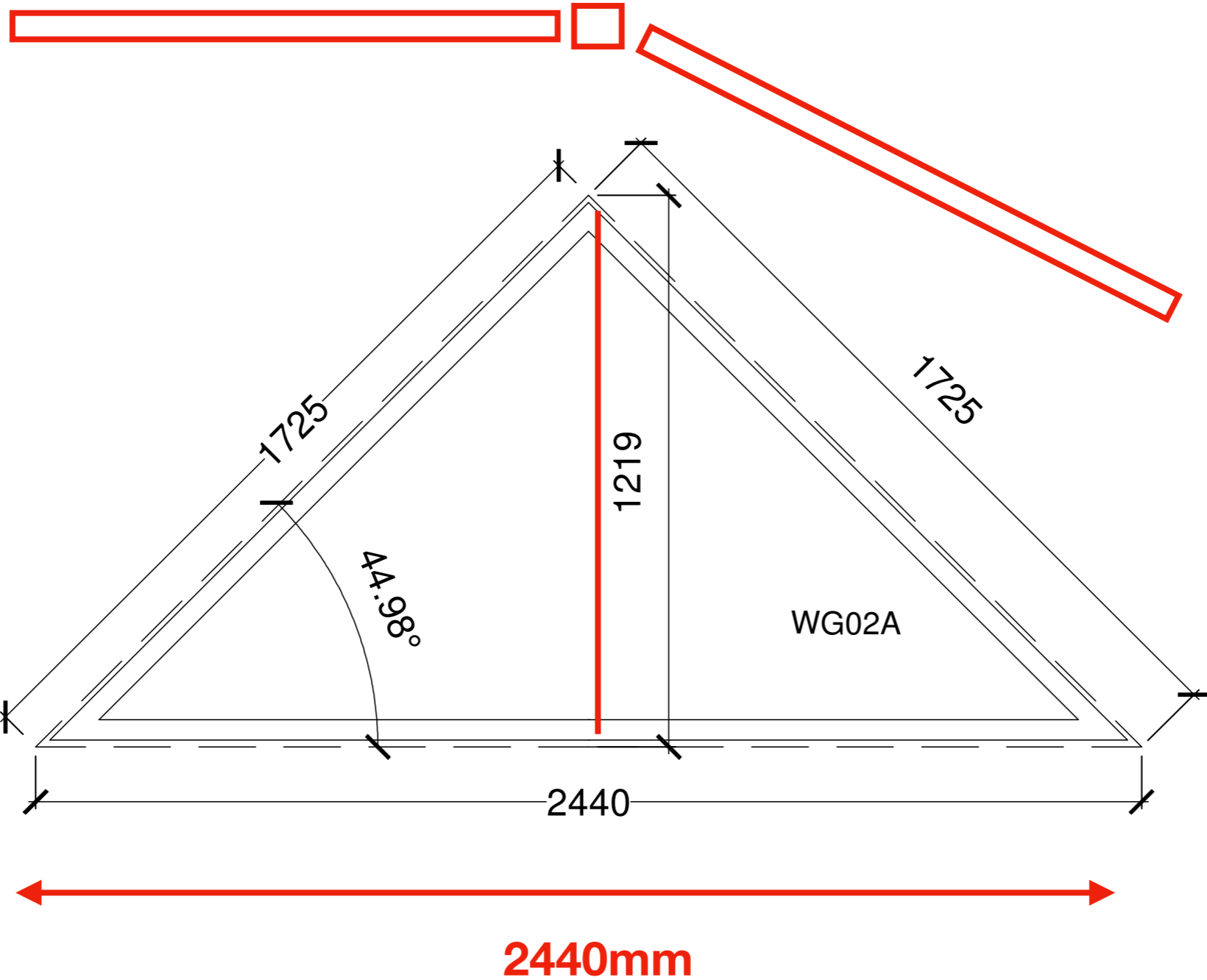


1990mm

internal

New triangle window - extension (louvers built in 2 sections)

louvers 76mm
colour finish





New triangle window



WG02 - Fix panel window - extension