

S357166
GOULDING/R

Fault Report

FITTER NAME: Dan	FITTING DATE: 17-10-24
Customer Name: Goulding	
Customer Ref: 357166 <i>service call.</i>	
Salesperson: Dave	Salesperson called: Yes/No No
Blind Type and number: Bathroom shutter	
Problem fixed on site: Yes/No No	
Fault Description Customer unhappy with finish on shutter doors as it's a cafe style with no top So you can see the top of the doors. Photos and video taken	
Action to Correct:- Photos and video sent to Lucy	

Baileys

34 HIGH STREET,
SPENNYMOOR,
DURHAM DL16 6DB
TEL: 01388 813267 or 0191 258 5956
sales@baileys-blinds.co.uk
www.baileys-blinds.co.uk

357166

DATE
MEASURED/ORDERED

03 / 07 / 24

Measured By:

SHAUN
HANLEY

SPECIAL INSTRUCTIONS

P/CUST	
NET	
PRESS	
RADIO	
MAG	
VAN	
RECC.	
SHOP	
TV	
YELL P	
OTHER	

Customer's Name **GOULDING**
Address **8, ST. OSWALDS DRIVE**
DURHAM
Post Code **DH1 3TE**

CURTAINS	
PLEATED	
ROLLERS	
ROMANS	
SHUTTERS	
VENETIAN	
VERTICALS	
VISION	
WOODEN	

Fitted By

DATE DAY AM PM

Tel. home	
Tel. work	
mobile	07798 888 576
email	

alum	anthracite	black	brown	champ-gold	chrome	silver	white	recess size	motorised	wood fix	stone fix	brackets top	brackets face
------	------------	-------	-------	------------	--------	--------	-------	-------------	-----------	----------	-----------	--------------	---------------

Room	Width	Drop	Slat Size	Colour	Control LH or RH	Fitting Height	Price
				SHUTTER			
				CAFÉ STYLE			
BATH	1626	560	64	L.A. INC		LLR	349
				TIMELSS WHITE			
				HIDDEN EASY TILT		LESS	
				3 SIDES		DISC	£ 280
				2x TRIMS			
				10x5x25			
				25x5x160			30
				X R DOOR TO OPEN			
				FIRST			
				STAINLESS STEEL			
				HINGES			

SAFETY DEVICES SUPPLIED WITH GOODS MUST BE FITTED BY US AT THE TIME OF INSTALLATION. IF YOU REFUSE TO ALLOW A SAFETY DEVICE TO BE FITTED, THEN THE GOODS WILL NOT BE INSTALLED, AND UNDER THESE CIRCUMSTANCES YOU WILL STILL BE LIABLE TO PAY THE FULL PRICE UNDER YOUR CONTRACT. YOU ARE STILL BOUND TO ACCEPT DELIVERY OF THE GOODS AND TO PAY FOR BOTH THE FITTING AND INSTALLATION EVEN ALTHOUGH INSTALLATION HAS NOT BEEN CARRIED OUT.

I have ordered the above goods and agree to pay 50% deposit and the remaining balance on the day of fitting. If payment is not made in full at that time Baileys Blinds has the right to remove the goods until full settlement is made. Title of the goods does not pass to the customer until payment has been made in full. Declaring that there shall be no liability for normal damage occasioned by such removal.

Completed 03/07/24 DA

TOTAL PRICE £ 310
 Pd 03/07/24
 VISA 434200
 DEPOSIT £ 155
 Pd 03/07/24
 BALANCE £ 155
 VISA (B)

PRICE ACCEPTANCE Customer's Signature

[Signature]

CASH	CHEQUE	CARD
------	--------	------

**ALL BLINDS TO
BE PAID FOR
AT TIME OF
FITTING**

BBSA
BRITISH BLIND & SHUTTER ASSOCIATION

Shutter Survey Sheet

Number of Shutters: 1	Survey Date: 03 - 07 - 24	Customer Name: GOULDING	Fitters Required: 1
Survey Sheets: 1	Surveyor: SHAWN M	Order Number: 357166	Estimated Fit Time:

Item Number	1	2	3	4	5
Room Name:	BATH				
Material:	HIGHGROVE PVC				
Quantity:	1				
Width:	1626				
Height:	560				
Louvre Size:	64				
Colour:	TIMBERLESS WHITE				
Mounting Type:	CAFE				
Mid Rail 1:					
Mid Rail 2:					
Louvre Split:					
Frame Type:	DEEP PLAIN L60				
No. of Sides:	3 L SIDE				
Build Out:					
Config:	LLR X R DOOR TO OPEN FIRST				
Stile Type:	AST				
Hardware:	STAINLESS STEEL				
Tilt Rod:	HIDDEN LEAD				
Post Location 1:					
Post Location 2:					
Post Location 3:					
Post Location 4:					
Post Location 5:					
Post Angle 1:					
Post Angle 2:					
Post Angle 3:					
Post Angle 4:					
Post Angle 5:					

Battens Required **GAN**

Batten Sizes (W X D)	Length	Quantity
25 X 5	160	2

Order Information:

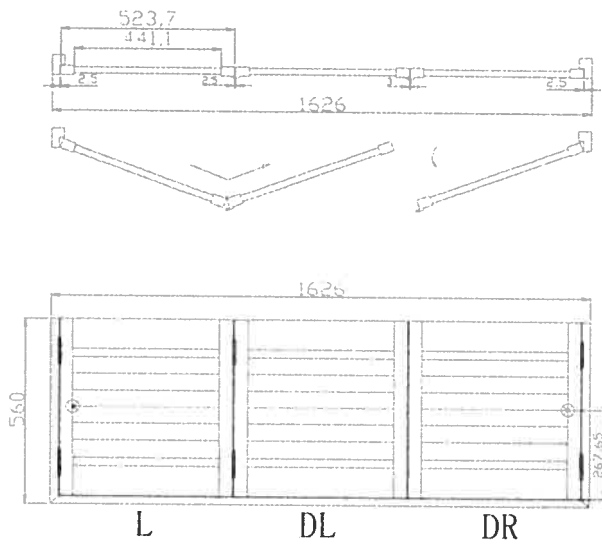
Balance to Pay:

Customers Signature:

Date:

Surveyor Signature:

Date:



7

NOTES:

Shutter Color: Timeless White(覆盖色)
 Hinges Color: Stainless Steel(不锈钢合页)
 Qty(数量): 1
 Material(材质): PVC
 Configuration(窗扇结构): LDL-DR,IN, 3Side, 41.3mm Astrigal, 60mm Plain L
 Tilt rod type(拉杆类型): Easy tilt rod(齿条拉杆)
 Louvre Quantity(叶片数量): 21
 Louvre Size(叶片尺寸): 439.4mm
 Rail Size(上下板尺寸): 466.1mm

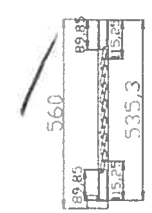
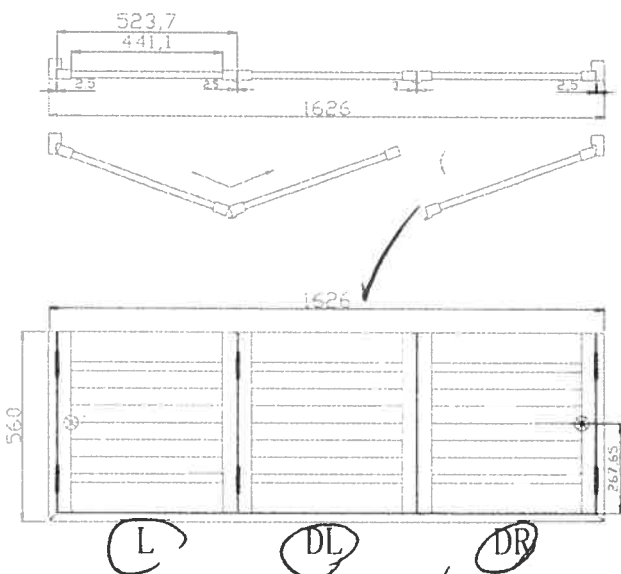
Order No(订单号): BAI S357166 GOULDING
 Item(序号): 5
 Room(房间号): BATH
 Louvre Size(叶片类型): 64mm



PL-60

Light Bar: 25*5*160(mm)*2
 Timeless White(覆盖色)

✓ OK

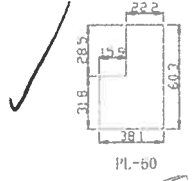


7

NOTES:

- Shutter Color: Timeless White(覆盖色)
- Hinges Color: White(白色) ✗
- Qty(数量): 1
- Material(材质): PVC
- Configuration(窗扇结构): LDL-DR, IN, 3Side, 41.3mm Astrigal, 60mm Plain L
- Tilt rod type(拉杆类型): Easy tilt rod(齿条拉杆)
- Louvre Quantity(叶片数量): 21
- Louvre Size(叶片尺寸): 439.4mm
- Rail Size(上下板尺寸): 466.1mm

Order No(订单号): BAI S357166 GOULDING
 Item(序号): 5
 Room(房间号): BATH
 Louvre Size(叶片类型): 64mm



Light Bar: 25*5*160(mm)*2
 Timeless White(覆盖色)

✗ STAINLESS STEEL
 HINGES