



Cassette awning

markilux MX-3

The sturdy cassette awning with a slender figure and contrasting visual features from round to square.



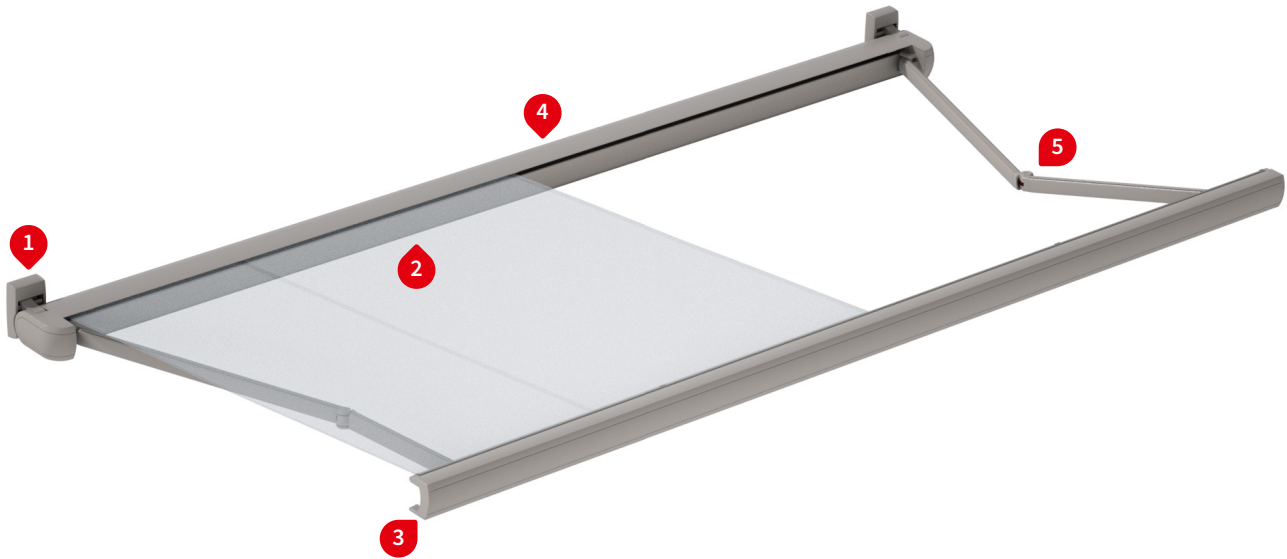
[markilux.com](https://www.markilux.com)

markilux
safe timeless beautiful

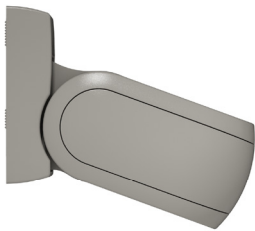
Product Characteristics

Wind resistance class 2
Beaufort 5 → 7.5–10.4 m/s → 28–37 km/h → 17–23 mph

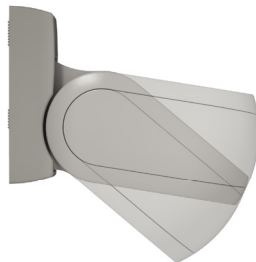
01
02
03
04
05
06
07
08
09
10
11
12
13
14
15
16
17



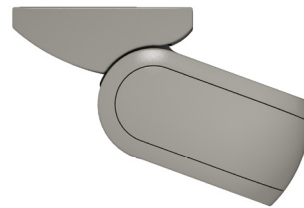
1) face fixture



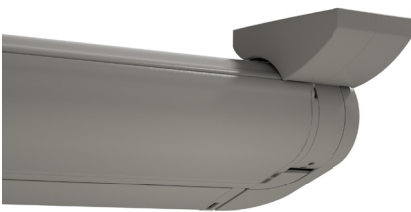
1) face fixture, maximum pitch of 35°



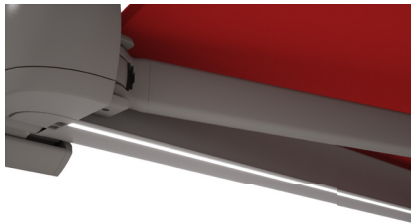
1) top fixture



1) top fixture, view from the rear



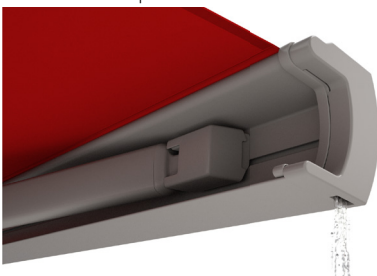
2) LED-Line in the cassette ¹⁾



2) LED-Spots underneath the cassette ¹⁾



3) unique water drainage system in the front profile



4) wall sealing profile ¹⁾



5) bionic tendon made of high-tech fibres for optimum power transference



1) Optional accessories

Product Characteristics

Description

- a slender, folding-arm full cassette awning exhibiting excellent technological features, which enables areas up to 6 m wide to be shaded

Special features

- self-supporting cassette profile with the brackets installed at each end of the awning – therefore suitable for bridging larger distances
- cassette with arms situated in front and at each end, which – when the awning is closed – are encompassed fully by the front profile lending a harmonious overall appearance to the awning
- the cassette obscures the view of the roller tube when the awning is extended
- option of directional LED Line fitted to the underside of the cassette which provide an appealing atmosphere in the evening
- various screen profile and awning colours can be combined
- screen profile also available with exclusive coating in the Selection MX colour selection
- the brackets are hidden unobtrusively behind the awning

Dimensions

- cassette in the standard version: depth 230 mm, height 120 mm
- single unit: minimum width 183 cm at the smallest projection of 150 cm, maximum width 500 cm at the largest projection of 350 cm or 600 cm at a maximum projection of 300 cm

Roller tube and lateral bearings

- round roller tube Ø 85 mm with keyway, galvanised steel – excellent stability, ensures near perfect cover performance even at the largest widths
- the arm bearer is made of die-cast aluminium, powder coated, with integrated, infinitely variable pitch setting mechanism

Awning profiles

- extruded aluminium, in façade quality, powder coated
- two-piece cassette with clever inner profile – providing the awning cover with optimum protection against the elements
- the lower cassette profile has a slot into which the LED Line can be recessed
- front profile, harmoniously rounded at the front with integrated gutter

Folding arms

- profiles in extruded aluminium, in façade quality, powder coated
- moving parts made of drop-forged aluminium – the arms are therefore extremely fracture resistant
- pivot bolts in stainless steel run in Teflon-coated bronze bushes – practically maintenance free, virtually silent and extremely hard wearing
- power transference via the innovative bionic tendon at the elbow joint, made of high tensile, high-tech fibres – low in friction, noiseless, insensitive to corrosion and UV resistant

End caps

- the end cap insert sections are made of high-quality plastic, powder coated or in a polished chrome finish
- the front profile end caps are made of high-quality plastic, powder coated, with water drainage holes

Fixture brackets

- face fixture, top fixture, eaves fixture
- extruded aluminium, powder coated
- also available in individual widths (on request)
- including caps made of high quality plastic to cover the face or top fixture brackets and their fixture bolts
- pitch range 5°–35° (face fixture), or 5°–70° (top or eaves fixture)
- spacer plates, stand-off brackets and other accessories are available

01 **Frame, end cap insert and styling panel colours**

02 markilux frame colours without surcharge

03 traffic white, RAL 9016

04 metallic aluminium, RAL 9006

05 grey brown, similar to RAL 8019



06 off-white textured finish, 5233 ¹⁾

07 stone grey metallic, 5215 ¹⁾

08 anthracite metallic, 5204 ¹⁾



09 havana brown textured finish, 5229 ¹⁾



Non-standard powder-coated finish

Bespoke frame colours incur a surcharge – matt, metallic, finely textured and pearl finishes as well as other colour ranges (DB, Tiger etc.) on request. All frame colours are available at a surcharge with enhanced corrosion protection.

Colours may differ slightly from those depicted in both hue and finish.

¹⁾ textured finish

14 **Combination options**

15 All standard styling panel colours can be combined at will with the standard frame colours ²⁾

16 **Frame** stone grey metallic, 5215
Styling panel / end cap insert anthracite metallic, 5204

17 **Frame** off-white textured finish, 5233
Styling panel / end cap insert anthracite metallic, 5204



Frame traffic white, RAL 9016
Styling panel / end cap insert metallic aluminium, RAL 9006

Frame anthracite metallic, 5204
Styling panel / end cap insert stone grey metallic, 5215



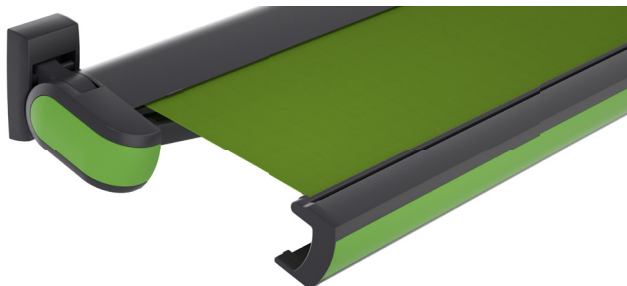
Colours may differ slightly from those depicted in both hue and finish.

²⁾ Illustrations by way of example; The styling panel and end cap insert colours must be the same colour.

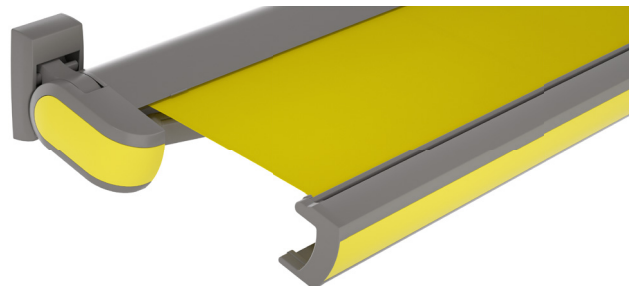
Additional styling panel and end cap insert colours

The additional styling panel colours can be combined at will with all the standard frame colours ¹⁾

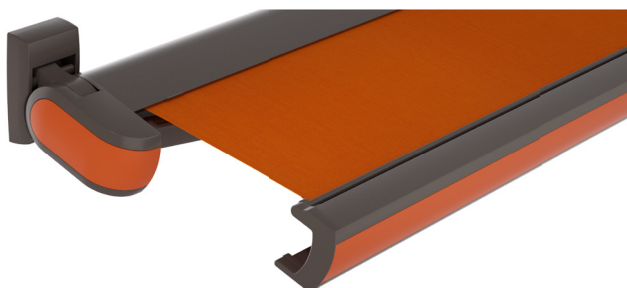
Styling panel / end cap insert yellow green, RAL 6018
Frame anthracite metallic 5204
Awning cover 325 06



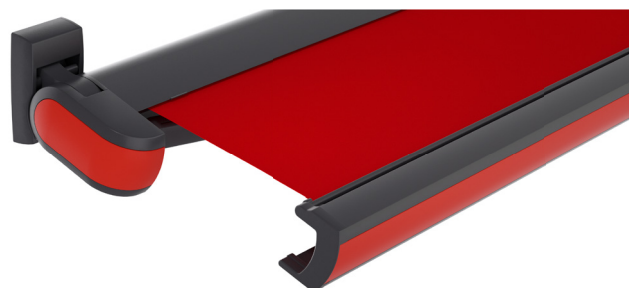
Styling panel / end cap insert sulphur yellow, RAL 1016
Frame stone grey metallic, 5215
Awning cover 309 01



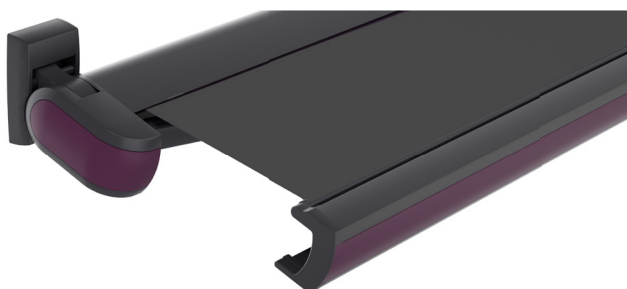
Styling panel / end cap insert red orange, RAL 2001
Frame havana brown textured finish, 5229
Awning cover 309 12



Styling panel / end cap insert traffic red, RAL 3020
Frame anthracite metallic, 5204
Awning cover 310 03



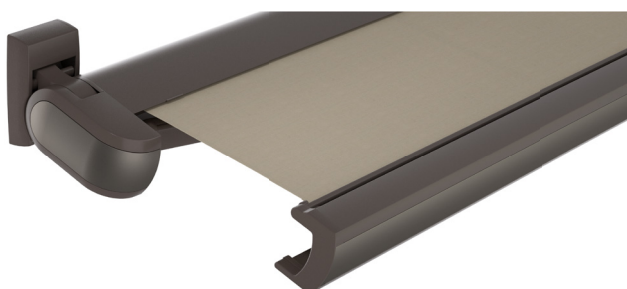
Styling panel / end cap insert purple violet, RAL 4007
Frame anthracite metallic, 5204
Awning cover 315 97



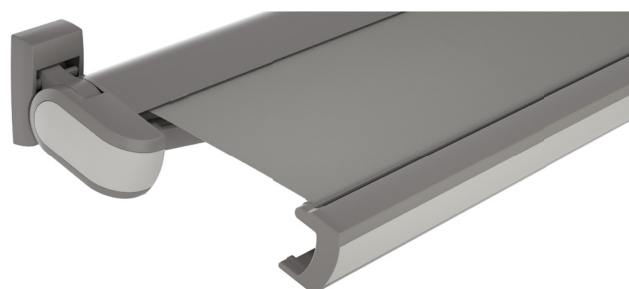
Styling panel / end cap insert pearl white, RAL 1013
Frame off-white textured finish, 5233
Awning cover 309 37



Styling panel / end cap insert pearl mouse grey, RAL 7048
Frame havana brown textured finish, 5229
Awning cover 314 87



Styling panel / end cap insert agate grey, RAL 7038
Frame stone grey metallic, 5215
Awning cover 315 92



Colours may differ slightly from those depicted in both hue and finish.

¹⁾ depictions by way of example; The fabric and styling panel in a matching colour; styling panel and end cap insert colours must be the same colour.

01
02
03
04
05
06
07
08
09
10
11
12
13
14
15
16
17

01 **Additional Selection MX front panel colours**

02 Recommended colour combinations ²⁾

03 **SMX-01** Copper green with patina
Frame anthracite metallic, 5204
Awning cover 310 58



SMX-02 Brass with dark patina
Frame off-white textured finish, 5233
Awning cover 309 07



SMX-03 Bronze dark-patinated
Frame havana brown textured finish, 5229
Awning cover 313 87



05

06 **SMX-04** Matt black / silver effect lacquer
Frame anthracite metallic, 5204
Awning cover 310 28



07 **SMX-05** Matt white/silver special effect lacquer
Frame off-white textured finish, 5233
Awning cover 310 09



08 **SMX-06** Silver grey special effect lacquer
Frame stone grey metallic, 5215
Awning cover 310 18



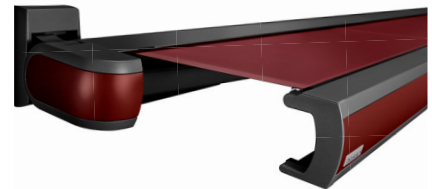
09 **SMX-07** Amber orange metallic matt
Frame havana brown textured finish, 5229
Awning cover 314 83



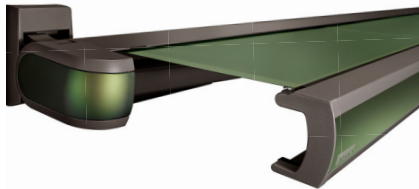
10 **SMX-08** Pebble beige metallic matt
Frame off-white textured finish, 5233
Awning cover 314 87



11 **SMX-09** Ruby red metallic matt
Frame anthracite metallic, 5204
Awning cover 325 13



12 **SMX-10** Emerald green metallic matt
Frame havana brown textured finish, 5229
Awning cover 325 16



13 **Notes with regard to selecting colours from the markilux Selection MX range**

14 Every front panel finished in a coating from the Selection MX range is unique. In a complex procedure, an exclusive look is created by using several layers of lacquer. During this process, the resulting colour and colour texture are influenced by different factors.

15 For technical reasons, a slight two-tone effect, variations in the degree of gloss and colour hue as well as small variations in colour between subsequent coats of paint in the same tone may be in evidence. The colour texture is always unique, particularly in the case of multi-layered coatings. The compound colour tone SMX-10 Emerald green metallic is an interference colour, which has an iridescent effect depending on the light incidence and the viewing angle.

16 You are free to combine any Selection MX front panel colour with any frame colour. Colours may differ slightly from those depicted in both hue and finish.

2) Illustrations by way of example; The styling panel and end cap insert colours must be the same colour.

01 **Optional accessories**

02 LED-Line in the cassette

03 LED-Spots underneath the cassette

04 wall sealing profile, up to a pitch of 35°

05 infrared heater 2500 W

06 infrared heater 2500 W with integrated radio-controlled receiver 868 MHz radio-controlled io

07 automatic controls (light, wind, rain)

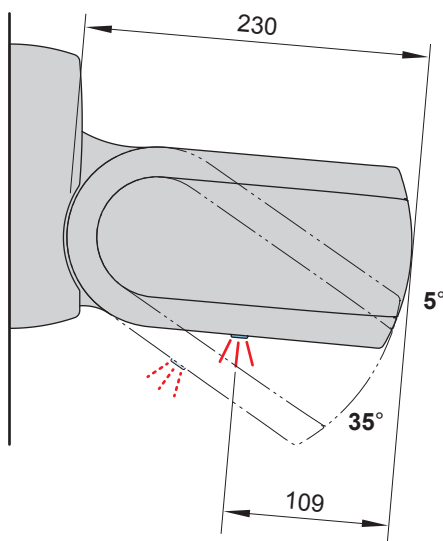
08 N.B. Important background information can be found in the chapter "Optional Accessories".

Fixture options

face fixture bracket with cover, left 100 mm	75885.
face fixture bracket with cover, right 100 mm	75886.
face fixture bracket left, 300 mm	75877.
face fixture bracket right, 300 mm	75878.
spreader plate A 430 × 160 × 12 mm	73466.
spreader plate B 300 × 400 × 12 mm	753465
markilux panel 250 × 230 × 49 mm	76308.
markilux panel continuous	76380.
stand-off bracket 80–300 mm for face fixture bracket 100 mm	72872.
stand-off bracket for 300 mm face fixture brackets	77968.
top fixture bracket with cover, left 100 mm	75887.
top fixture bracket with cover, right 100 mm	75888.
eaves fixture bracket 150 mm plate	75889.
eaves fixture bracket 90 mm plate, 270 mm plate	71659.
flat plate and angled bracket for eaves fixture, machine finish aluminium, 500 mm	741290
spreader plate 260 × 60 × 12 mm for eaves fixture bracket	75383.

13 **Lighting options**

14 **LED-Line in the cassette**



Technical specification

operating voltage	230 V, 50 Hz
power output per metre	10 W / metre
number of LEDs per metre	120 LEDs / metre
light source	LED (12 V)
number of transformers	1 unit
light temperature	warm white
IP protection class	IP 44
service life	approx. 15.000 h

Controls

	standard	optional
radio-controlled dimmer io 868 MHz	✓	—
radio-controlled dimmer RTS 433 MHz	✓	—

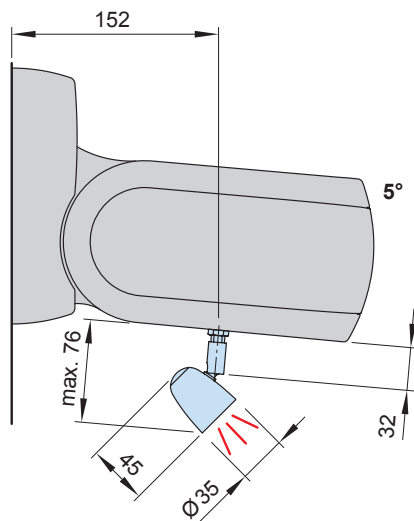
Electrical connection

power supply cable with open end H05RN-F 3G1 (3 × 1 mm ²)

dimensions in mm

Lighting options

Directional LED spotlights underneath the cassette



dimensions in mm

Technical specification

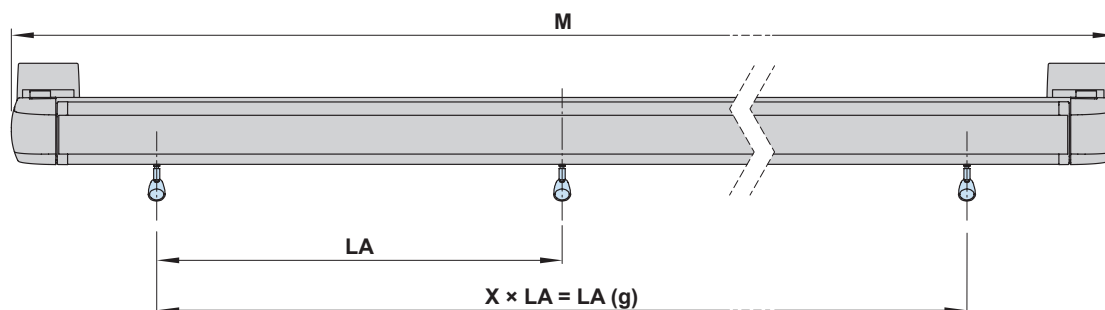
operating voltage	230 V, 50 Hz
Leistung eines LED-Spots	5 W
light source	LED (12 V)
number of transformers	1 unit
light temperature	warm white
IP protection class	IP 44
service life	approx. 20.000 h

Controls

	standard	optional
radio-controlled dimmer io 868 MHz	✓	—
radio-controlled dimmer RTS 433 MHz	✓	—

Electrical connection

power supply cable with open end H05RN-F 3G1 (3 × 1 mm ²)
--



Awning width	No. of spotlights	LA	LA (g)
195-250	3	75	150
251-300	3	98	196
301-350	3	98	196
351-400	4	98	294
401-450	4	98	294
451-500	5	98	392
501-550	5	98	392
551-600	6	98	490

dimensions in cm

- LA (g) = distance between the spotlights (total)
- M = **order dimension** = awning width
- X = number of distances between the spots (depends on size)

dimensions in cm

No. of brackets | No. of fixing points

		Overall awning width							
		250	300	350	400	450	500	550	600
Order dimensions		195	251	301	351	401	451	501	551
		250	300	350	400	450	500	550	600
		No. of brackets No. of fixing points							
05	W	BHT	10						
			2 6						
	BP		A 2 16 B 2 8						
	PA		2 8						
	DA / DE	BHT	10						
			2 8						

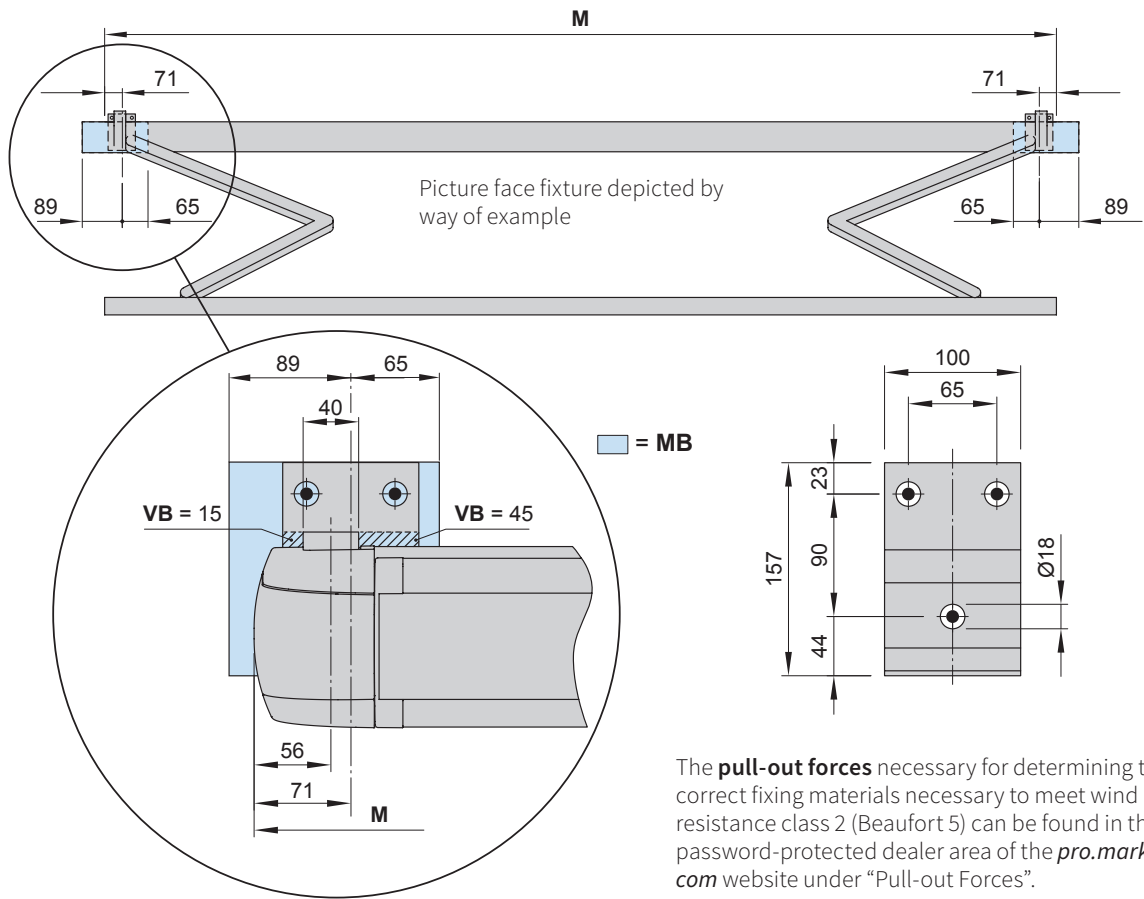
dimensions in cm

The **pull-out forces** necessary for determining the correct fixing materials necessary to meet wind resistance class 2 (Beaufort 5) can be found in the password-protected dealer area of the pro.markilux.com website under "Pull-out Forces".

- BHT** = bracket width
- BP** = spreader plate (**A** or **B**)
- DA** = eaves fixture brackets
- DE** = top fixture brackets
- PA** = markilux panel, fixture profile, width 250 mm
- W** = face fixture brackets

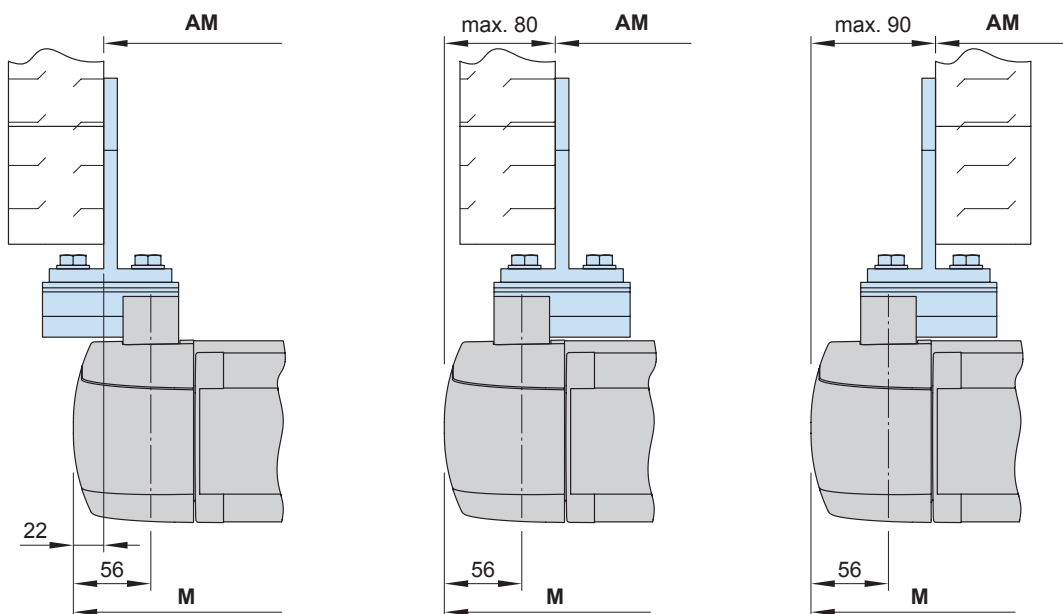
Bracket fixture range

Face and top fixture



The **pull-out forces** necessary for determining the correct fixing materials necessary to meet wind resistance class 2 (Beaufort 5) can be found in the password-protected dealer area of the *pro.markilux.com* website under "Pull-out Forces".

Eaves fixture



- AM = installation dimensions
- M = **order width** = awning width
- MB = bracket fixture range
- VB = adjustment range, face fixture bracket

dimensions in mm

01
02
03
04
05
06
07
08
09
10
11
12
13
14
15
16
17

01 **Face fixture**

02 Fixtures, fittings and accessories

03

04

05

06

07

08

09

10

11

12

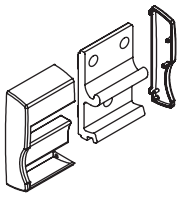
13

14

15

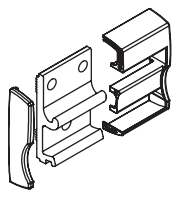
16

17



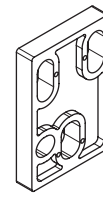
face fixture bracket cover cap left
100 mm

75885.



face fixture bracket cover cap right
100 mm

75886.



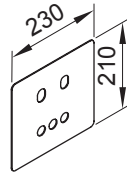
spacer plate
100 × 150 × 20 mm
N.B.!
Stack to a max. height of 200 mm

758831



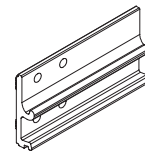
spacer plate
100 × 150 × 12 mm

758841



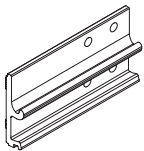
cover plate for spacer plate and stand-off brackets in the case of external insulation
230 × 210 × 2 mm

71843.



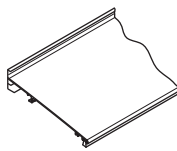
face fixture bracket left
300 mm

75877.



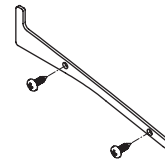
face fixture bracket right
300 mm

75878.



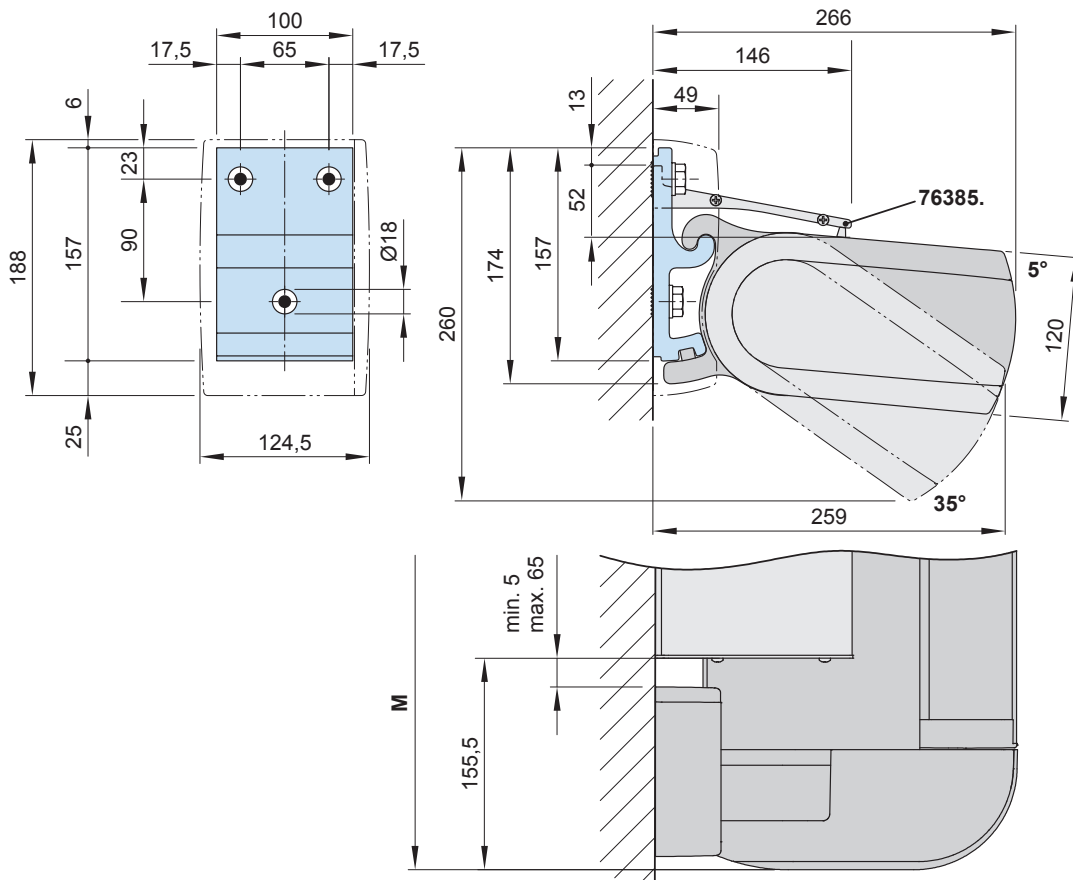
wall sealing profile incl. brush seal
by the metre

76385. and 704241.



side plate for wall sealing profile
including 2 pan-head self-tapping screws

76386. and 2 × 735611

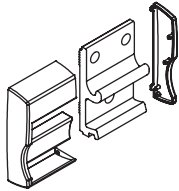


76385. = wall sealing profile (standard width = awning width (M) - 311 mm; up to a maximum awning pitch of 35°)
M = order width = awning width

dimensions in mm

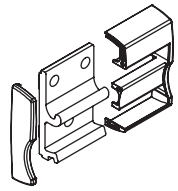
Face fixture with spreader plate A

Fixtures, fittings and accessories



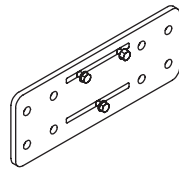
face fixture bracket cover cap left
100 mm

75885.



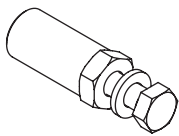
face fixture bracket cover cap right
100 mm

75886.



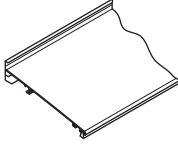
spreader plate A face fixture
430 x 160 x 12 mm

73466.



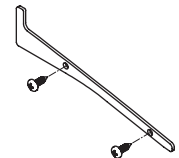
reduction bolt
pack 10 pcs

M 16 → M 12 | M 16 → M 10 | M 12 → M 10 | M 10 → M 10



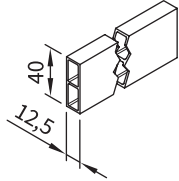
wall sealing profile incl. brush seal
by the metre

76385. and 704241.



side plate for wall sealing profile
including 2 pan-head self-tapping screws

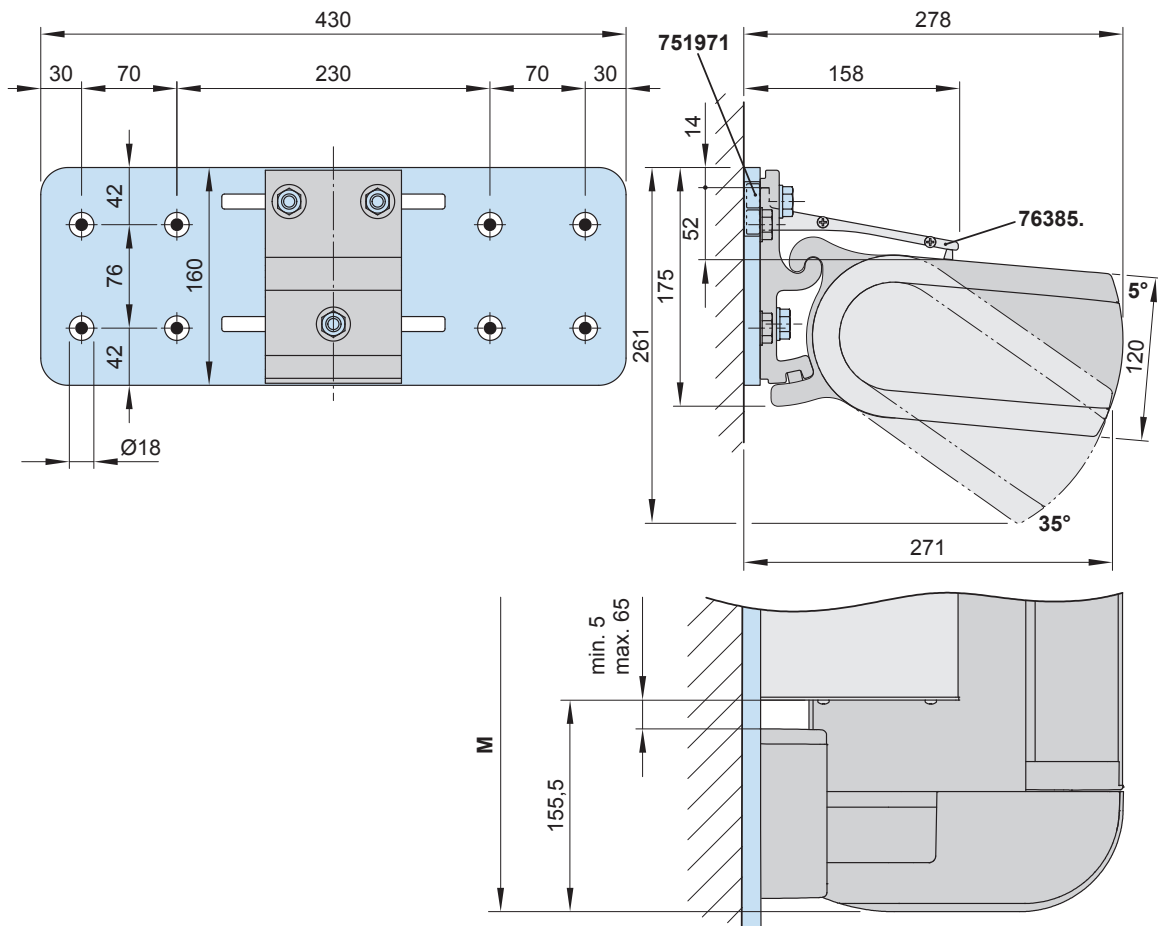
76386. and 2 × 735611



stand-off strip for wall sealing profile
by the metre

40
12,5

751971



751971 = stand-off strip for wall sealing profile

76385. = wall sealing profile (standard width = awning width (M) - 311 mm; up to a maximum awning pitch of 35°)

M = order width = awning width

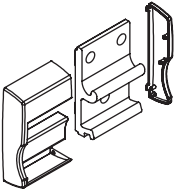
dimensions in mm

01
02
03
04
05
06
07
08
09
10
11
12
13
14
15
16
17

01 Face fixture with spreader plate B

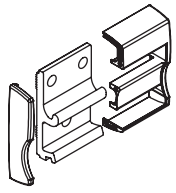
02 Fixtures, fittings and accessories

03
04
05



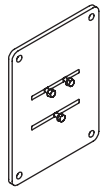
face fixture bracket cover cap left
100 mm

75885.



face fixture bracket cover cap right
100 mm

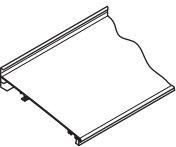
75886.



spreader plate B
300 × 400 × 12 mm

73465.

06
07
08



wall sealing profile incl. brush seal
by the metre

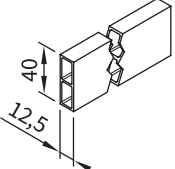
76385. and 704241.



side plate for wall sealing profile
including 2 pan-head self-tapping screws

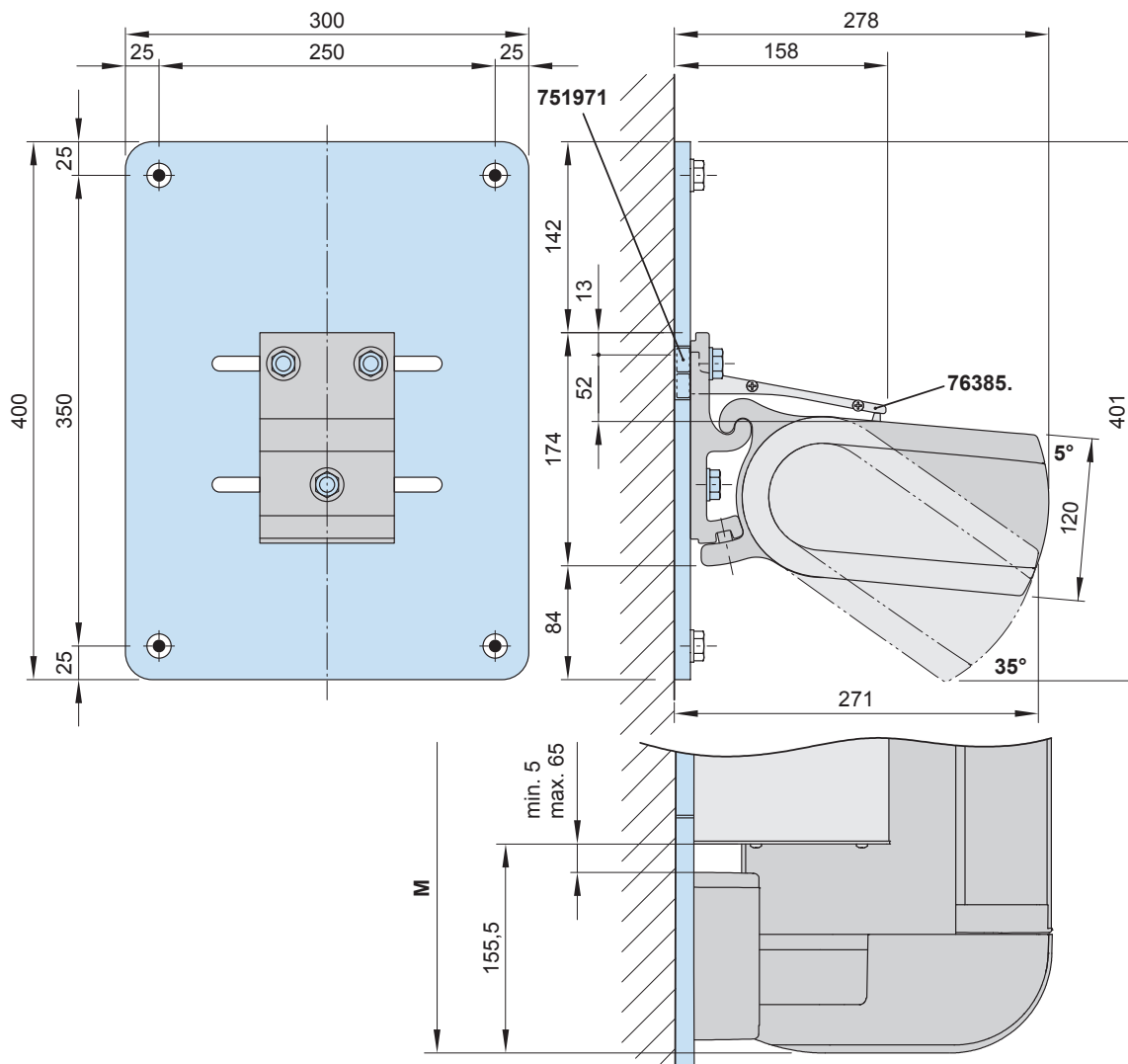
76386. and 2 × 735611

09



stand-off strip for wall sealing profile
by the metre

751971

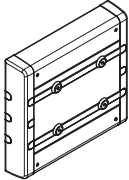


- 751971** = stand-off strip for wall sealing profile
- 76385.** = wall sealing profile (standard width = awning width (M) – 311 mm; up to a maximum awning pitch of 35°)
- M** = **order width** = awning width

dimensions in mm

Face fixture using the markilux panel 250 mm wide

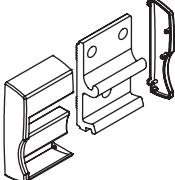
Fixtures, fittings and accessories



markilux panel
250 × 230 × 49 mm

with decorative profiles
and end caps

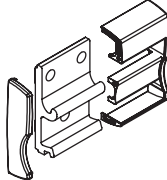
76308.



face fixture bracket
cover cap
left

100 mm

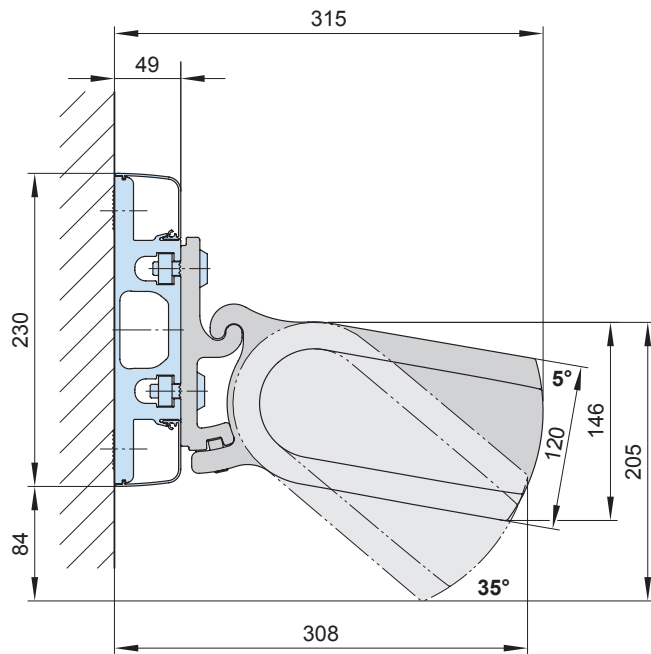
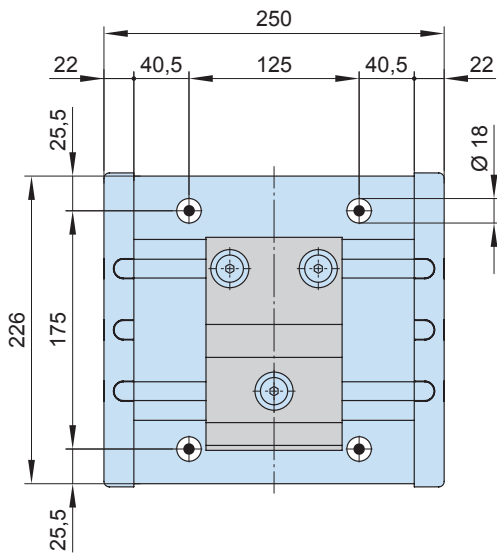
75885.



face fixture bracket
cover cap
right

100 mm

75886.

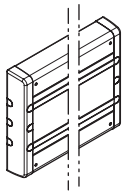


dimensions in mm

01
02
03
04
05
06
07
08
09
10
11
12
13
14
15
16
17

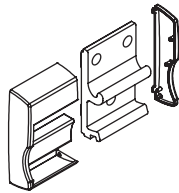
01 Face fixture with markilux panel continuous

02 Fixtures, fittings and accessories



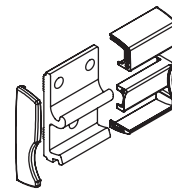
markilux panel continuous
with decorative profiles and end caps

701104



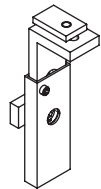
face fixture bracket cover cap left
100 mm

75885.



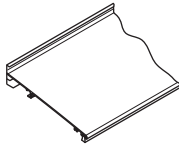
face fixture bracket cover cap right
100 mm

75886.



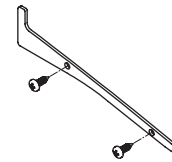
bracket wall sealing profile small

76468.



wall sealing profile incl. brush seal by the metre

76385. and 704241.

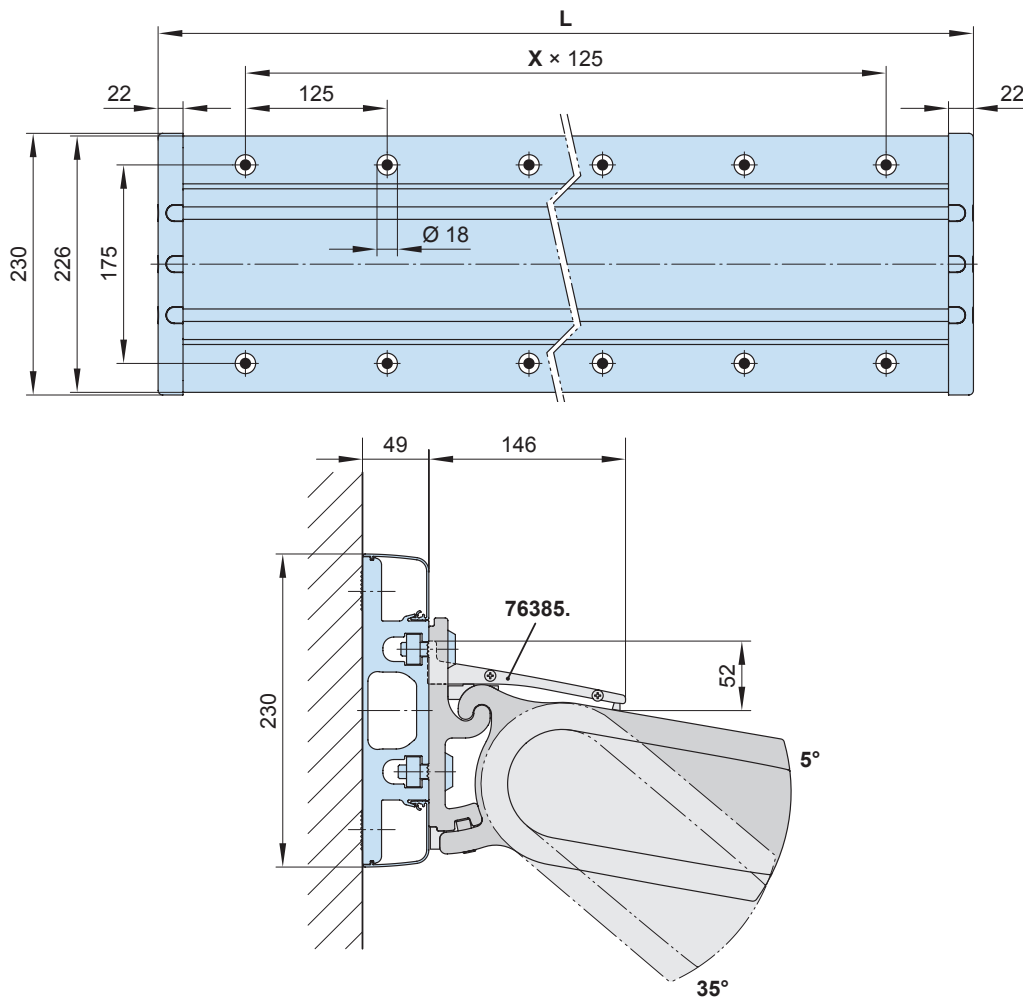


side plate for wall sealing profile including 2 pan-head self-tapping screws

76386. and 2 x 735611

10 As a **continuous fixture profile**, the markilux panel will always be supplied to order on the basis of a technical drawing prepared in the factory in accordance with the awning specification.

11 The technical drawing shows the fixture points and pull-out forces and must be approved in writing.

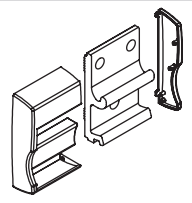
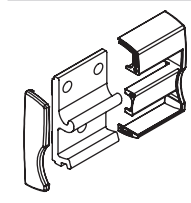
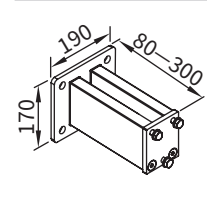
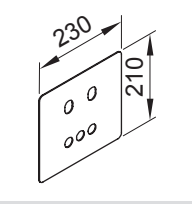
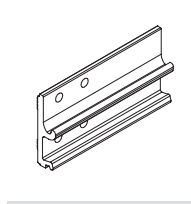
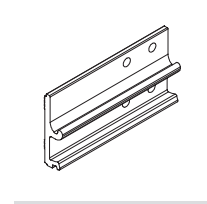
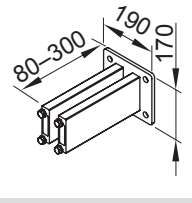
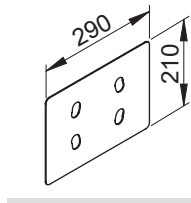
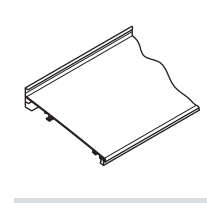
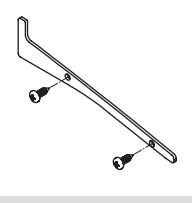
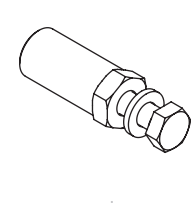


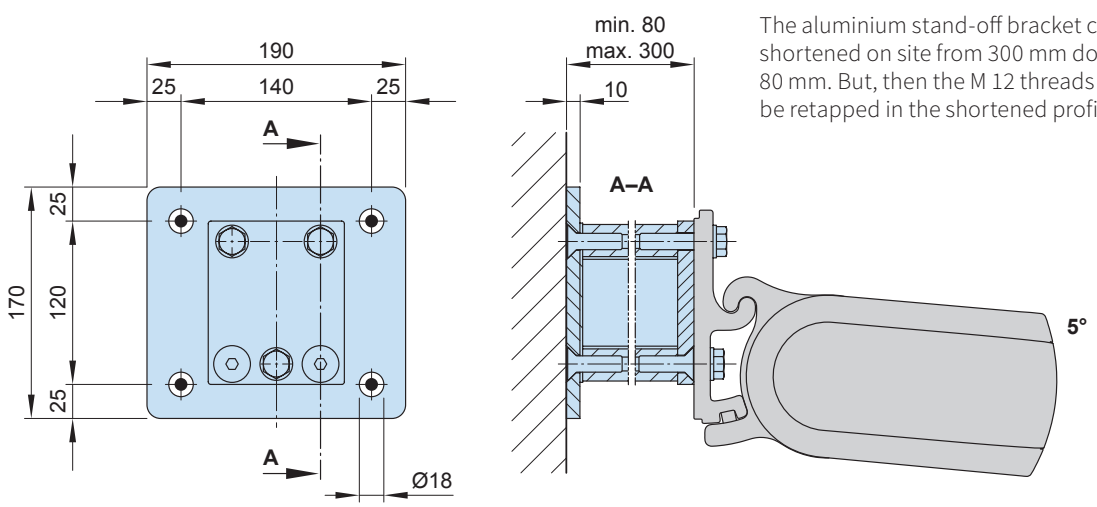
- 76385. = wall sealing profile (standard width = awning width (M) - 311 mm; up to a maximum awning pitch of 35°)
- L = individual width, max. 7000 mm, (standard L = M + 20 mm)
- X = number of distances between the spots (depends on size)

dimensions in mm

Face fixture with stand-off bracket

Fixtures, fittings and accessories

 <p>face fixture bracket cover cap left 100 mm</p> <p>75885.</p>	 <p>face fixture bracket cover cap right 100 mm</p> <p>75886.</p>	 <p>stand-off bracket 80-300 mm for face fixture bracket 100 mm incl. insulating element</p> <p>72872.</p>
 <p>cover plate for spacer plate and stand-off brackets in the case of external insulation 230 x 210 x 2 mm</p> <p>71843.</p>	 <p>face fixture bracket left 300 mm</p> <p>75877.</p>	 <p>face fixture bracket right 300 mm</p> <p>75878.</p>
 <p>Stand-off bracket for face fixture bracket 75877. and 75878. 80-300 mm incl. insulating element</p> <p>77968.</p>	 <p>cover plate for spacer plate and stand-off brackets in the case of external insulation 290 x 210 x 2 mm</p> <p>71841.</p>	 <p>wall sealing profile incl. brush seal by the metre</p> <p>76385. and 704241.</p>
 <p>side plate for wall sealing profile including 2 pan-head self-tapping screws</p> <p>76386. and 2 x 735611</p>	 <p>reduction bolt pack 10 pcs</p> <p>M 16 → M 12 M 16 → M 10 M 12 → M 10 M 10 → M 10</p>	



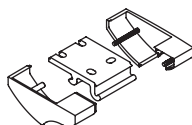
dimensions in mm

01
02
03
04
05
06
07
08
09
10
11
12
13
14
15
16
17

01 **Top fixture**

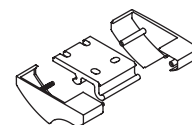
02 Fixtures, fittings and accessories

03 top fixture bracket
04 cover cap
05 left
100 mm



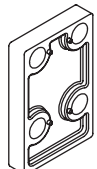
75887.

top fixture bracket
cover cap
right
100 mm



75888.

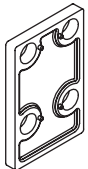
spacer plate for top
fixture
90 × 140 × 20 mm



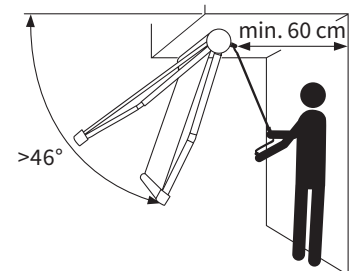
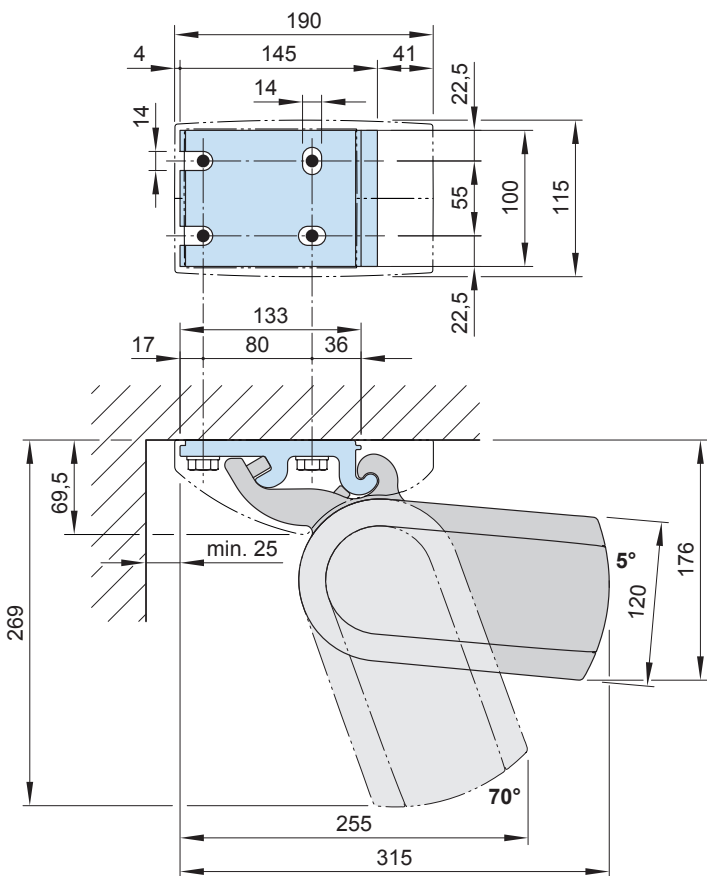
N.B!
Stack to a max. height
of 200 mm

716311

06 spacer plate
07 for top fixture
08 90 × 140 × 12 mm



716411

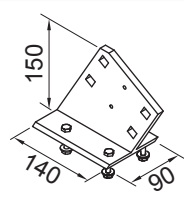


N.B.! At a pitch of more than 46° to the horizontal there must be an area accessible behind the awning at least 60 cm deep to allow operation of an RTS motor with manual override.

dimensions in mm

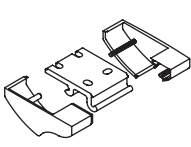
Eaves fixture

Fixtures, fittings and accessories



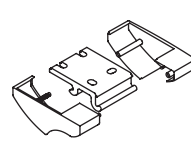
eaves fixture bracket
90 mm
150 mm plate

75889.



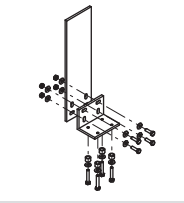
top fixture bracket
cover cap
left
100 mm

75887.



top fixture bracket
cover cap
right
100 mm

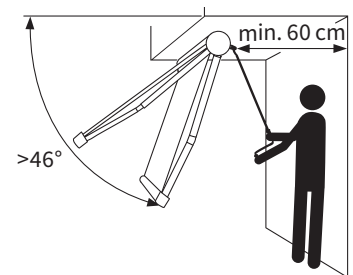
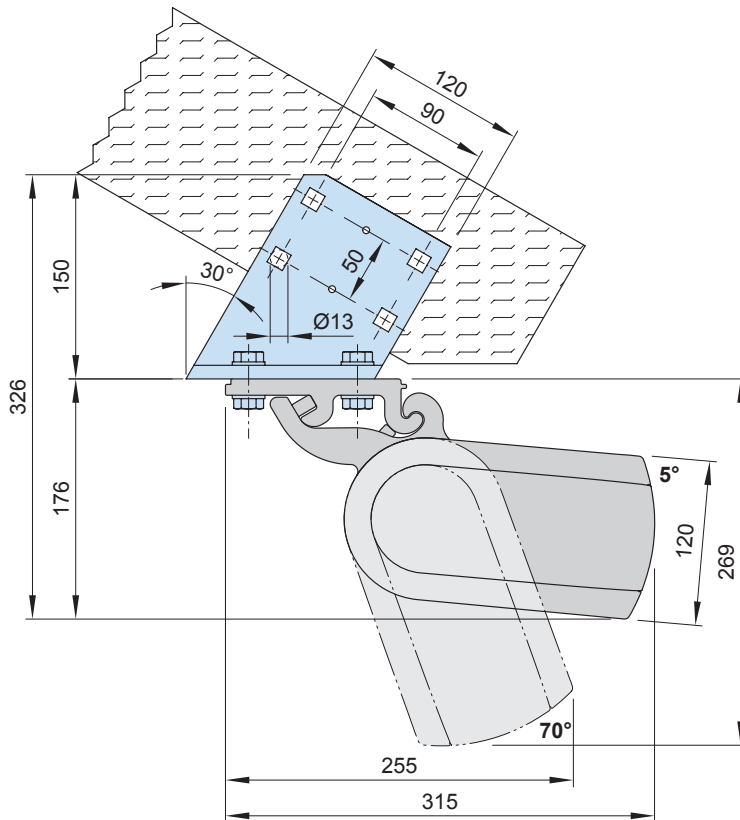
75888.



angle and plate for
eaves fixture
height of plate 500 mm
machine finish

716620

With eaves fixture bracket 150 mm (75889.)



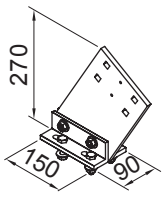
N.B.! At a pitch of more than 46° to the horizontal there must be an area accessible behind the awning at least 60 cm deep to allow operation of an RTS motor with manual override.

dimensions in mm

01
02
03
04
05
06
07
08
09
10
11
12
13
14
15
16
17

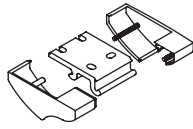
01 **Eaves fixture**

02 **Fixtures, fittings and accessories**



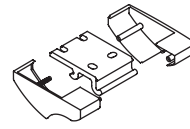
eaves fixture bracket
90 mm
height of flat plate
270 mm

05 **71659.**



top fixture bracket
cover cap
left
100 mm

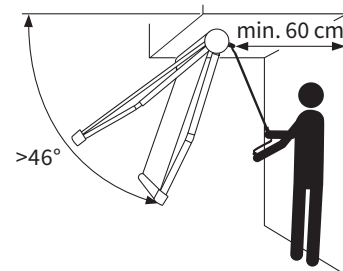
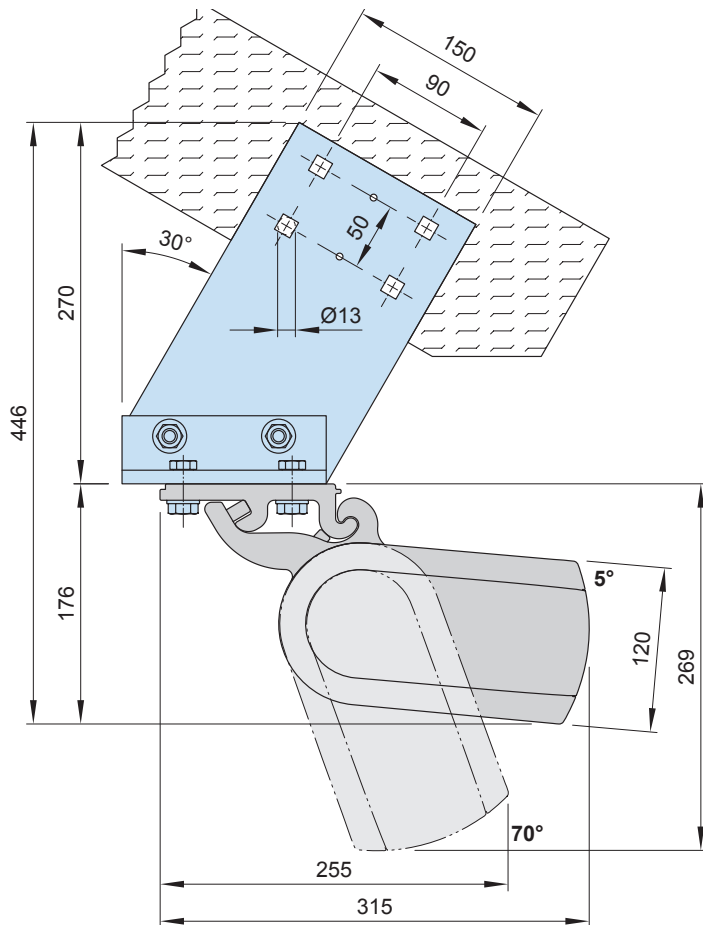
75887.



top fixture bracket
cover cap
right
100 mm

75888.

06
07
08
09
10 **With eaves fixture bracket, top flat plate 270 mm (71659.)**

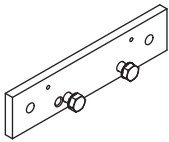


N.B.! At a pitch of more than 46° to the horizontal there must be an area accessible behind the awning at least 60 cm deep to allow operation of an RTS motor with manual override.

dimensions in mm

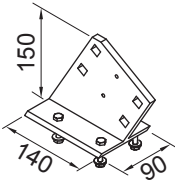
Eaves fixture with additional plate

Fixtures, fittings and accessories



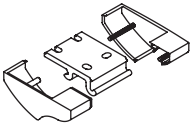
supplementary flat plate for eaves fixture
260 × 60 × 12 mm

75383.



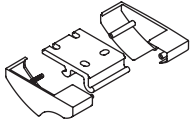
eaves fixture bracket 90 mm
150 mm plate

75889.



top fixture bracket cover cap left
100 mm

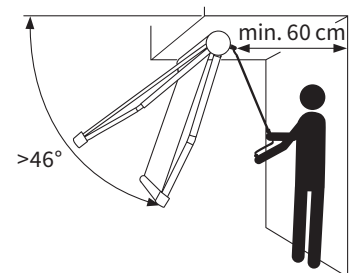
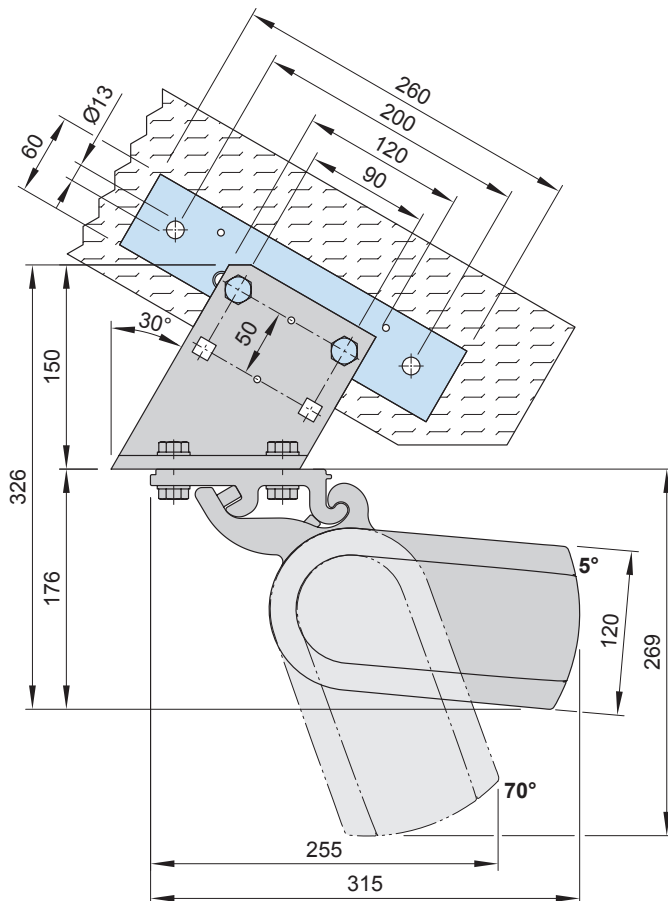
75887.



top fixture bracket cover cap right
100 mm

75888.

With eaves fixture bracket 150 mm (75889.)



N.B.! At a pitch of more than 46° to the horizontal there must be an area accessible behind the awning at least 60 cm deep to allow operation of an RTS motor with manual override.

dimensions in mm

01
02
03
04
05
06
07
08
09
10
11
12
13
14
15
16
17

01 **Eaves fixture with additional plate**

02 **Fixtures, fittings and accessories**

03

04

05

06

07

08

09

10

11

12

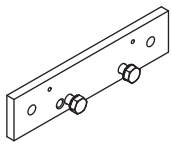
13

14

15

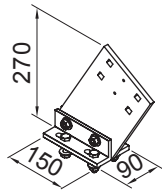
16

17



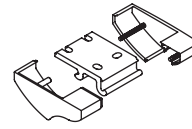
supplementary flat plate for eaves fixture
260 × 60 × 12 mm

75383.



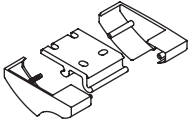
eaves fixture bracket 90 mm
height of flat plate 270 mm

71659.



top fixture bracket cover cap left
100 mm

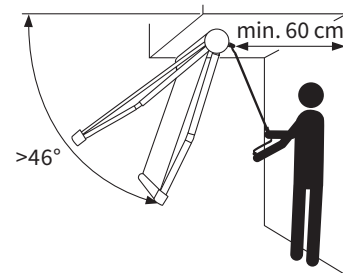
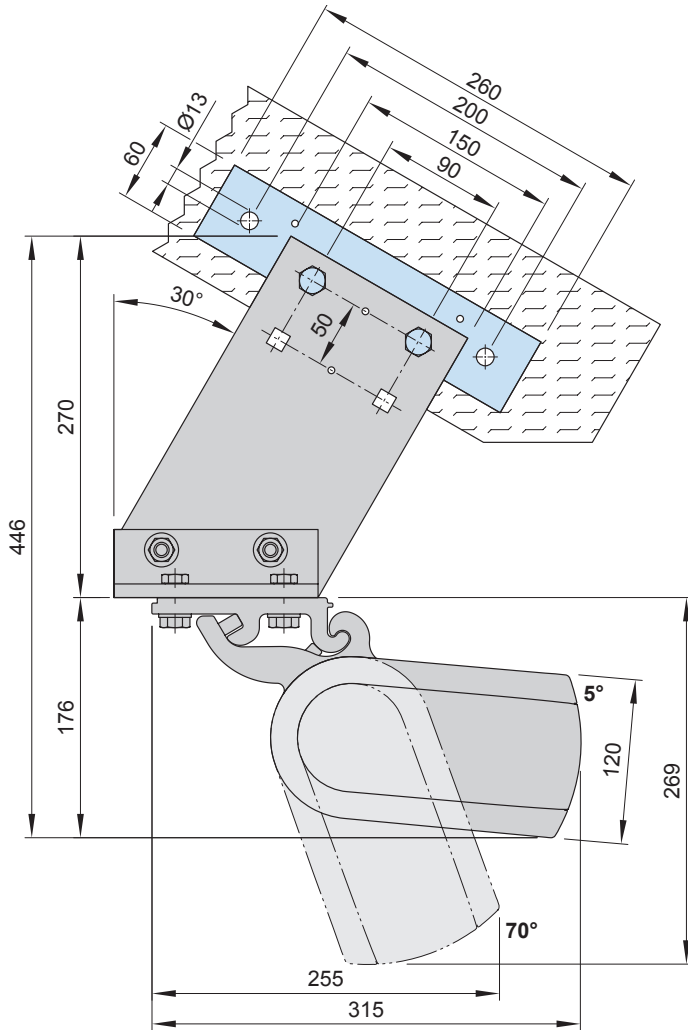
75887.



top fixture bracket cover cap right
100 mm

75888.

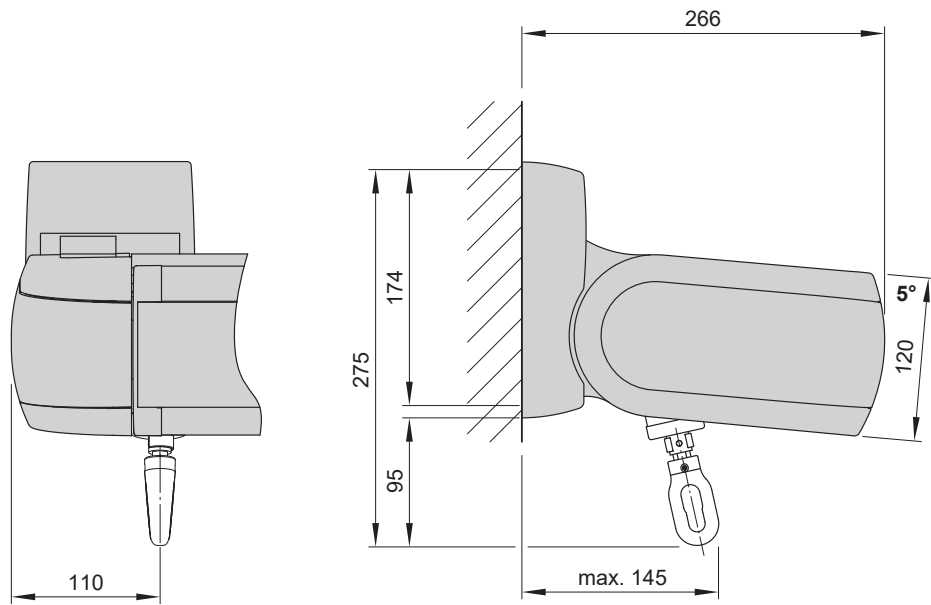
With eaves fixture bracket, top flat plate 270 mm (71659.)



N.B.! At a pitch of more than 46° to the horizontal there must be an area accessible behind the awning at least 60 cm deep to allow operation of an RTS motor with manual override.

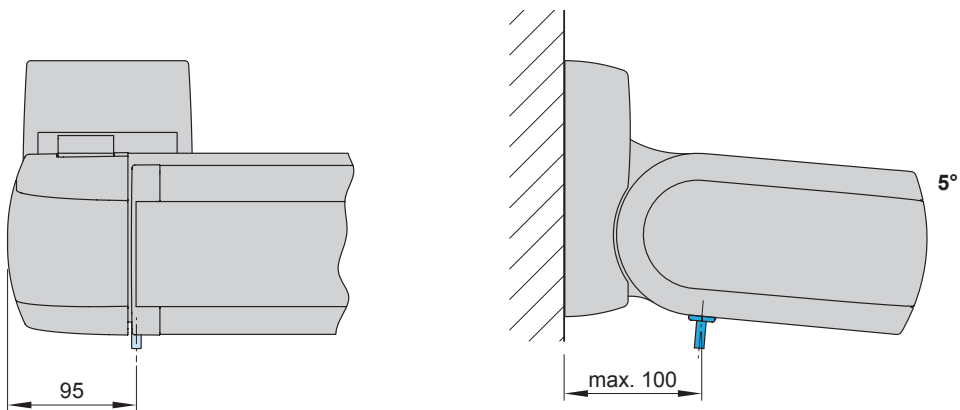
dimensions in mm

Face fixture, manual operation ¹⁾

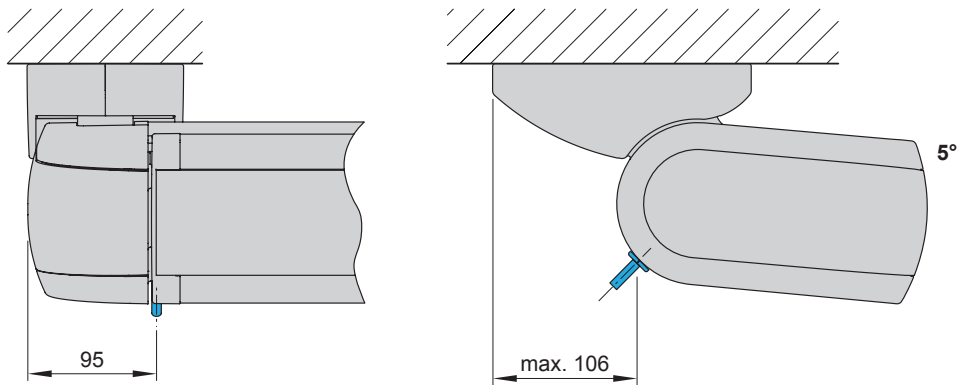


Motor / lighting cable exit point ^{1) 2)}

Face fixture



Top fixture



1) depending on the operation side, left or right

2) depending on the accessories ordered, one or two power supply cables (awning motor | lighting)

dimensions in mm

01
02
03
04
05
06
07
08
09
10
11
12
13
14
15
16
17

01

02

03

04

05

06

07

08

09

10

11

12

13

14

15

16

17