



Pergola awning

markilux pergola stretch

The Sun and Wet Weather Awning.



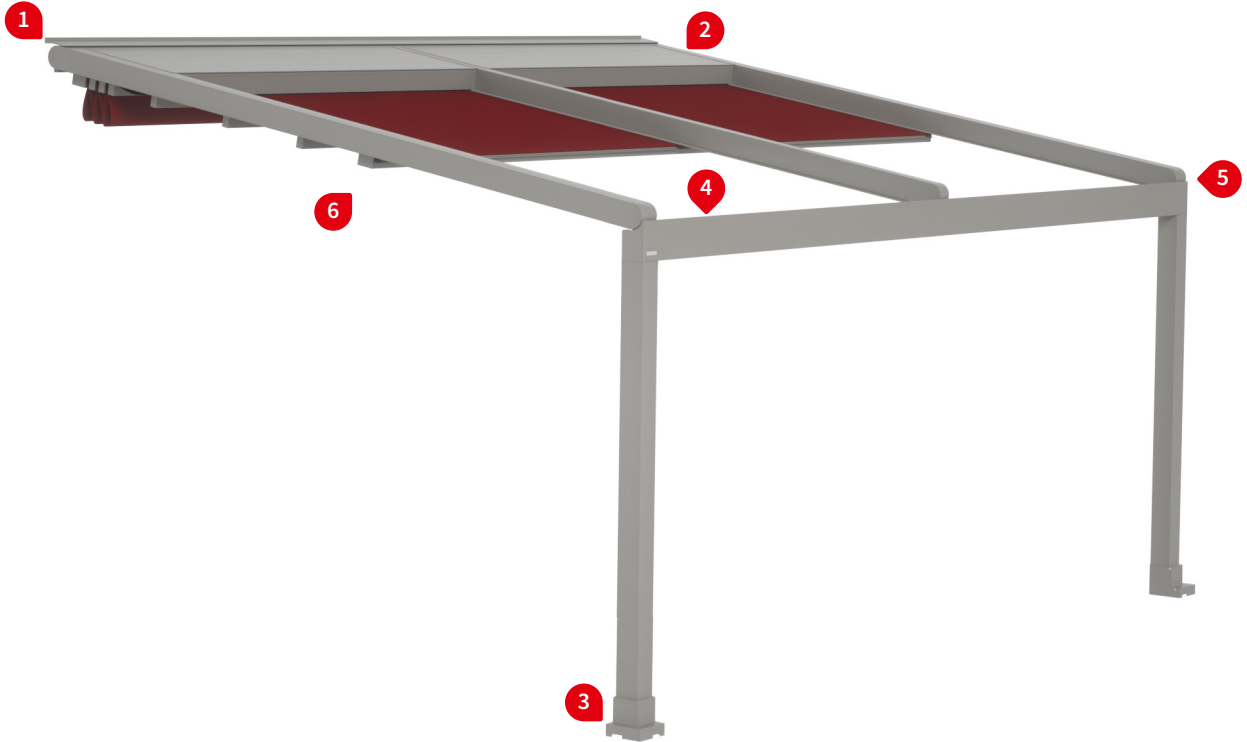
[markilux.com](https://www.markilux.com)

markilux
safe timeless beautiful

Product Characteristics

Wind resistance class 3
Beaufort 6 → 38–48 km/h → 10.5–13.4 m/s → 24–30 mph

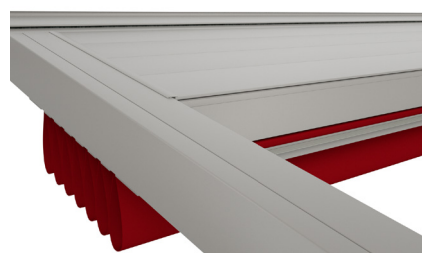
01
02
03
04
05
06
07
08
09
10
11
12
13



1 face fixture including wall sealing profile



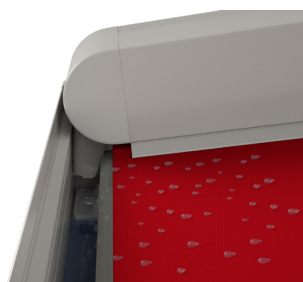
2 coverboard



3 post with footplate cover



4 controlled water drainage via front gutter



5 exterior view of the guide rail / rain gutter



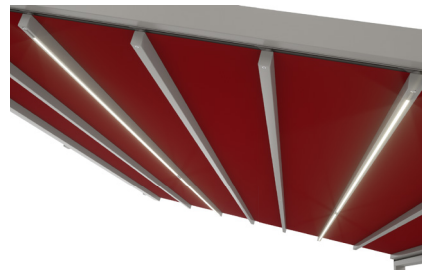
in combination with the markilux format triangular version ¹⁾



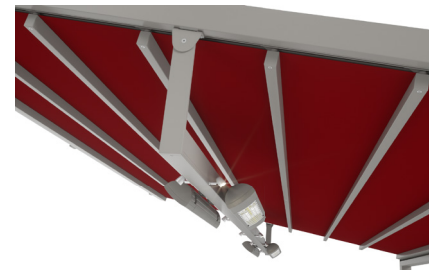
in combination with the vertical roller blind markilux 776 tracfix with Panorama window ¹⁾



6 LED-Lines in in the cover support profiles ¹⁾



6 heaters and LED-Spots attached to the cross-beam ¹⁾



1) Optional accessories

Product Characteristics

Description

- awning system with unassuming appearance, used for both sun and wet weather protection in which the folded cover is tensioned above track-guided support profiles making it extremely wind resistant and stable
- the guide tracks are attached to a front profile which acts as a gutter and which rest on support posts which have an integrated water drainage system. The rainwater is directed over the awning cover to the gutter and then via the support posts to the ground
- it includes a system coverboard as standard, the depth of which is determined by the awning's extension
- areas up to 7 x 7 m can be protected using one cover or 25 x 7 m using 5 covers

Special features

- well thought-through, elegantly uncomplicated design lending optimum protection against sun, wind and rain even in very inclement weather – controlled, reliable water drainage from a pitch angle of just 5°
- horizontally aligned cover support profiles ensure exceptionally high areal stability
- the cover is made up using all but invisible transverse seams lending the cover an overall harmonious appearance
- the awning cover is made of plain, waterproof (for purpose), UV-resistant and highly flame-retardant PVC or sunvas perla FR
- radio-controlled motor in io technology as standard
- in a mult-field unit, the fields can be controlled individually as standard
- the system coverboard is fitted as standard to protect the cover when retracted – against rain and soiling; the number of profile sections is determined by the extension of the awning
- wall sealing profile as standard accessory – avoids leaving a gap between the wall and the coverboard
- option of lighting strips, LED Line, available in the cover support profiles, their number and distribution are determined in the factory according to the awning extension; each field can be operated independently
- option of a cross-beam with integrated cable channel, which can be adjusted so that it is square to the guide tracks; its position can be chosen by the customer
- option of lighting strip, LED Line, or adjustable LED Spot lighting on both sides of the cross-beam, each field can be operated independently – allowing a pleasant lighting atmosphere to be created even after the awning has been retracted
- option of heaters fitted to the cross-beam, individually or in pairs (maximum 3 x 2 heaters), each field can be operated independently
- can be combined perfectly with the vertical roller blinds markilux 625 tracfix / 776 tracfix* fitted between the support posts and / or to the side(s) between post and wall, with the markilux format slide* or lift* between the posts and / or markilux format triangular version to the side(s) – giving ideal protection in the vertical plane as well (*optionally with Panorama window)
- new, extremely reliable and functional toothed belt drive system – easy to fit and retensionable
- well thought-through factory-fitted guide tracks including tensioning system as well as if optionally equipped with lighting and / or heating invisible “plug-and-play” wiring loom connections in the housing and the cable channels making installation on site safe and simple
- if required, the posts can be positioned further in or out from the guide tracks – even asymmetrically, if necessary. Depending on the post position, the gutter is extended as far as the posts have been moved out; if the posts are positioned further in, it is as wide as the overall width of the awning

Dimensions

- 1 field, 1 motor: width 201–700 cm, maximum extension 700 cm, maximum overall dimensions 700 x 700 cm
- a maximum of 5 fields wide with a maximum field width of 7 m and a maximum overall width of 25 m; an asymmetrical field with distribution is possible
- in the case of field widths from 451 cm, a third guide track will be added as standard in the centre; in certain situations and on request, additional guide tracks can be added
- the headroom at the front is 250 cm as standard, the maximum headroom is 322 cm (posts cannot be shortened on site)

Awning profiles

- extruded aluminium, in façade quality, powder coated
- the housing is in three pieces, round at the back, depth 163 mm x height 125 mm, including a louvre on the underside to facilitate maintenance
- the side end caps are made of die-cast aluminium, powder coated

Product Characteristics

Awning profiles

- system coverboard, depth 63–105 cm, determined in the factory according to the awning extension, consisting of 3–5 profile sections each 21 cm wide, fitted as a flat surface between the guide tracks
- the guide tracks are angular, width 90 mm × height 125 mm – as outer tracks with an additional lateral profile functioning as cable channel (standard, overall dimensions 125 × 125 mm)
- cover support profiles 100 × 60 mm at the rear and the front, including sealing strip (UV-resistant silicone, colour RAL 7043) as joint to the housing and as a drip edge at the front
- cover support profiles 45 × 60 mm, with slot for optional LED lighting strip, LED Line
- optional cross-beam for accessories, width 80 mm × height 100 mm, with multi-functional slots; up to two pieces per field, arranged symmetrically or asymmetrically on request – for the fixture of heaters and LED Lines or LED Spots
- sealing strips (UV-resistant silicone, colour RAL 7043) at the joints between the guide tracks / coverboard, guide tracks / cover, coverboard profiles / housing and in the case of multi-field units: guide track / guide track

Fixture brackets, support posts and gutter

- extruded aluminium, in façade quality, powder coated
- housing brackets: Face fixture, (also in combination with spreader plates A / B), face fixture with stand-off brackets, top fixture, eaves fixture
- pitch range 5°–25°
- including decorative caps to cover the brackets – for face fixture made, of die-cast aluminium, powder coated; for top and eaves fixture brackets made of high-quality plastic, powder coated
- square post profile 125 × 125 mm with integrated cable ducts, very easily accessible
- the support post can be adjusted in height by up to 120 mm
- asymmetrical footplate covers as standard 201 × 201 mm made of die-cast aluminium, powder coated
- optionally without footplate covers for installation below the ground
- optionally with adapter plates for installation on Krinner screw-in foundations
- angular gutter, depth 125 mm × height 196 mm
- water drains away to the side through the footplate cover, optionally below ground or laterally out of the post

Use in wind, rain and snow

- the awning or awnings have to be retracted if the wind speed exceeds 48 km/h. In gusty conditions, rainwater can creep under the lateral sealing strips along the guide tracks and miss the gutter. The awning system must be retracted in gusty wind conditions
- the awning can be used in rain up to performance class 2 (56 l/m² per hour) according to EN13561. This value assumes even rainfall over the hourly period. In the case of heavy rainfall, the system must be retracted
- when the awning is partly or completely retracted, water can collect in the folds in the fabric and run away to the sides
- if the temperature changes rapidly or if the humidity is very high, water can condense on the underside of the fabric and drip off
- if snow has been forecast, the awning must be retracted. If any snow should collect on the cover or coverboard, it must be removed before the awning is retracted. The maximum permissible snow load on the canopy is 1100 N/m²

Note: For installation, we recommend the use of three electrical lifts, e.g. “Tragbarer Markisen Lift Upter CM 340”. Load capability 120 kg / Extension height 3.3 m from KeM.Tech www.kemtech-ksf.com. For additional information and accessories, please refer to the chapter “General Information”, “markilux Special Accessories” as well as the markilux 625 tracfix / 776 tracfix in the Sales Manual “Designer Awnings for Conservatories, Glass Canopies and Windows”.

Frame colours

markilux frame colours without surcharge

traffic white, RAL 9016



metallic aluminium, RAL 9006



grey brown, similar to RAL 8019



off-white textured finish, 5233 ¹⁾



stone grey metallic, 5215 ¹⁾



anthracite metallic, 5204 ¹⁾



havana brown textured finish, 5229 ¹⁾



Non-standard powder-coated finish

Bespoke frame colours incur a surcharge – matt, metallic, finely textured and pearl finishes as well as other colour ranges (DB, Tiger etc.) on request. All frame colours are available at a surcharge with enhanced corrosion protection.

Colours may differ slightly from those depicted in both hue and finish.

¹⁾ textured finish

01
02
03
04
05
06
07
08
09
10
11
12
13

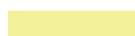

Dimensions and configuration options

Single unit

		Awning width							
		350	400	450	500	550	600	650	700
Order dimensions		201	351	401	451	501	551	601	651
		350	400	450	500	550	600	650	700
H	257-312								
	313-367								
	367-423								
	424-479								
	480-534								
	535-590								
	591-646								
	647-700								
No. of brackets cassette		2	2	3	3	3	3	3	3

dimensions in cm

H = Bestellmaß = Ausfall standard headroom 250 cm

 = 2 guide tracks
 = 3 guide tracks

Operation

	standard	optional
crank handle	—	—
hard-wired motor	—	—
silentec motor (optionally with external radio receiver io / RTS)	—	—
radio-controlled motor io, 868 MHz	✓	—
radio-controlled motor RTS, 433 MHz	—	—

Multi-field unit

2-5 fields, 1 motor per field
maximum overall width 25 m

Awning cover

fabric pattern no.	standard	optional
sunvas 300..-315..	—	—
sunsilk 324.. / 325.. / 328.. / 369..	—	—
sunbow 411..-427..	—	—
smart art 340..	—	—
perla FR ¹⁾ 371../372..	✓	—
perfotex 331.. / 332..	—	—
transolair 338..	—	—
transolair (120 cm) 339..	—	—
Soltis Perform 92 92-20..	—	—
Serge 600 272..	—	—
Soltis Proof 502	✓	—

¹⁾ plain fabrics only

Optional accessories

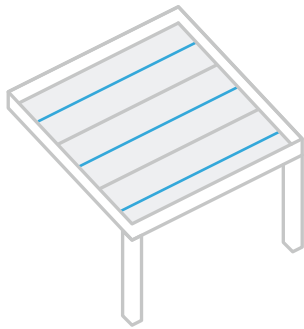
LED-Lines in in the cover support profiles
cross-beam under the guide tracks
infrared heater 2500 W with integrated radio receiver 868 MHz io attached to the cross-beam, individually or in pairs
LED-Line in the cross-beam, on both sides ¹⁾
LED-Spots attached to the cross-beam, on both sides ¹⁾
vertical cassette roller blind markilux 625 tracfix
vertical cassette roller blind markilux 776 tracfix
wind and privacy screen markilux format
automatic weather controls (wind)

For detailed information, please refer to the section “General Information”, “markilux Special Accessories” as well as those on the markilux 625 tracfix / 776 tracfix in the sales manual “Designer Awnings for Conservatories, Glass Canopies and Windows”.

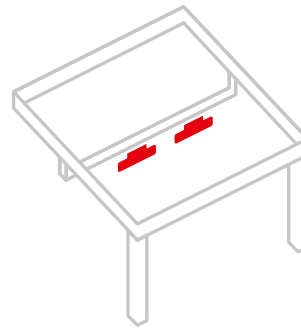
¹⁾ LED-Line and LED-Spots cannot be combined with one another

Lighting and infrared heater options

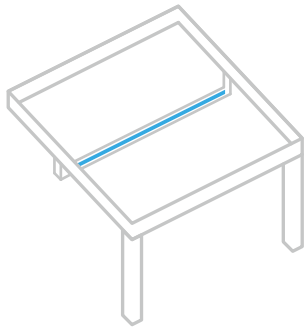
Overview of the different versions



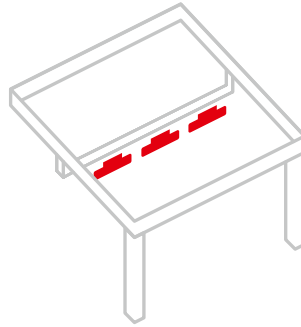
Option 1:
LED-Lines in the cover support profiles



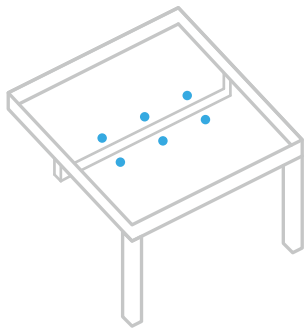
Option 5:
2 heater underneath the cross-beam
from an awning width of 301 cm



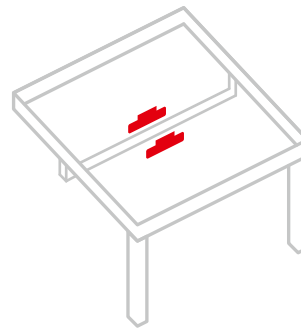
Option 2:
LED-Line on both sides of the cross-beam
cannot be combined with option 3



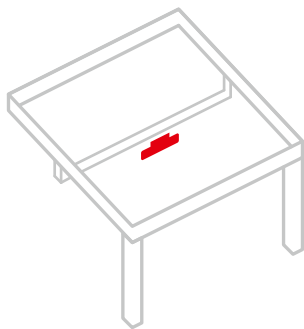
Option 6:
3 heater underneath the cross-beam
from an awning width of 501 cm



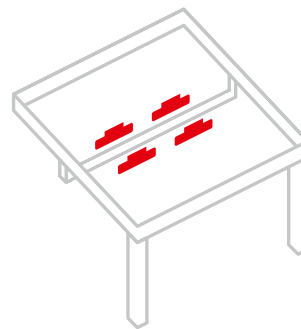
Option 3:
LED-Spots on both sides of the cross-beam
cannot be combined with option 2



Option 7:
2 Heater(s) attached to the side of the cross-beam
from an awning width of 201 cm



Option 4:
1 heater underneath the cross-beam
from an awning width of 201 cm

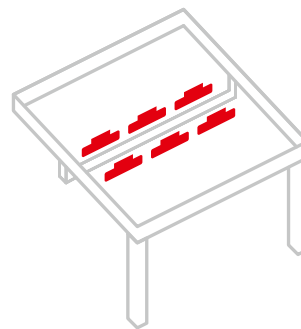


Option 8:
4 Heater(s) attached to the side of the cross-beam
from an awning width of 301 cm

Operation (per awning)

LED-Line in the cover support profiles	→ can only be switched on / off and dimmed together
LED-Line / LED-Spots on both sides of the cross-beam	→ can only be switched on / off and dimmed together
infrared heater	→ can be switched on / off and dimmed individually.

N.B.: infrared heaters cannot be added at a later stage.
Options 4–9 can be combined with options 1 and 2 or 3.
Depending on the extension, a maximum of two cross-beams per field are possible.



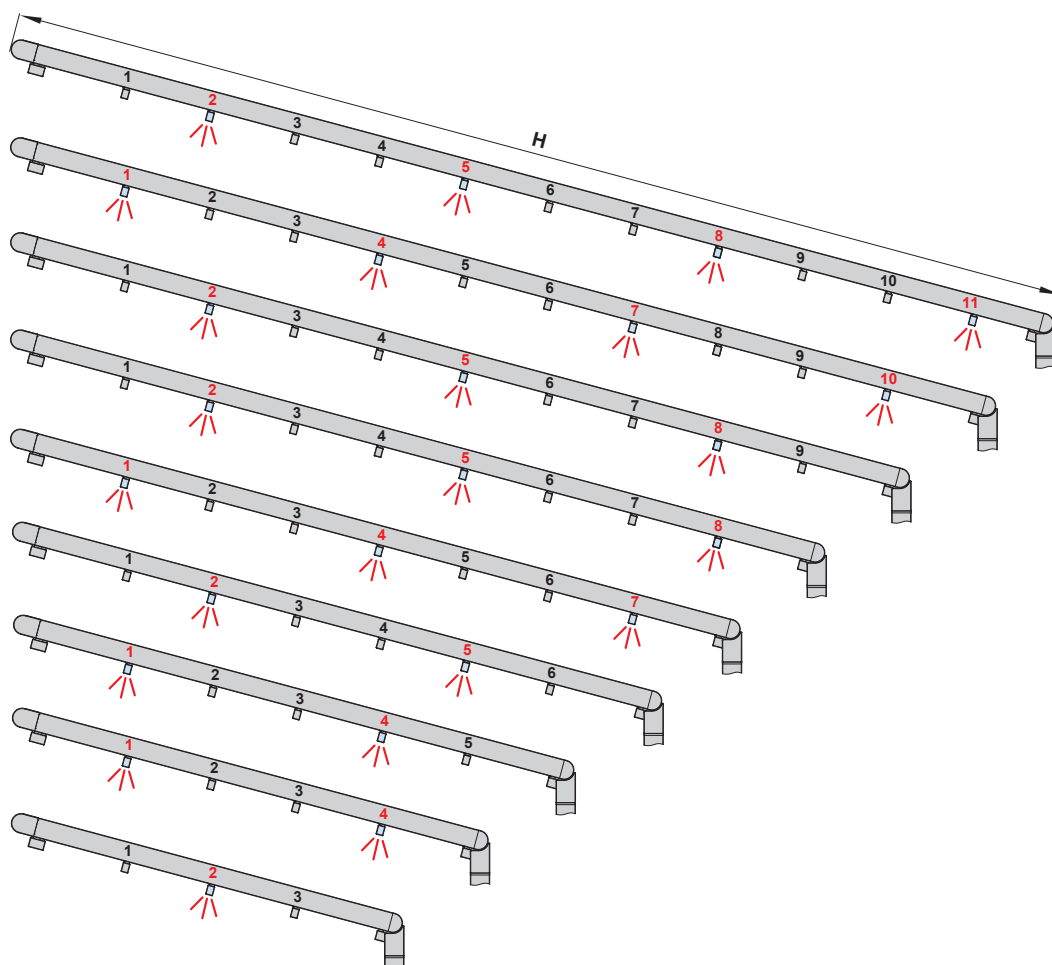
Option 9:
6 Heater(s) attached to the side of the cross-beam
from an awning width of 501 cm

- 01
- 02
- 03
- 04**
- 05
- 06
- 07
- 08
- 09
- 10
- 11
- 12
- 13

01 **Lighting options LED-Line**

02 LED-Lines in the cover support profiles – quantity and distribution

03 **04**



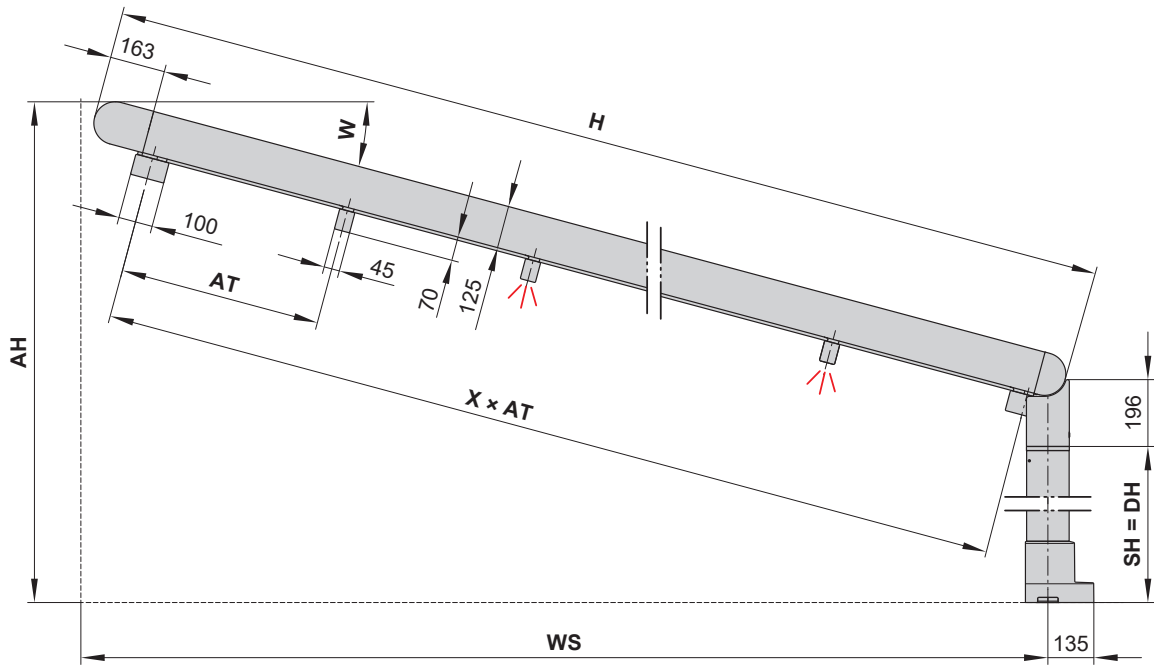
H	↘/↙
700 – 647	4
646 – 591	4
590 – 535	3
534 – 480	3
479 – 424	3
423 – 368	2
367 – 313	2
312 – 257	2
256 – 201	1

↘/↙ = quantity of LED Lines in the cover support profiles
 H = **order dimension** = extension

dimensions in cm

Lighting options LED-Line

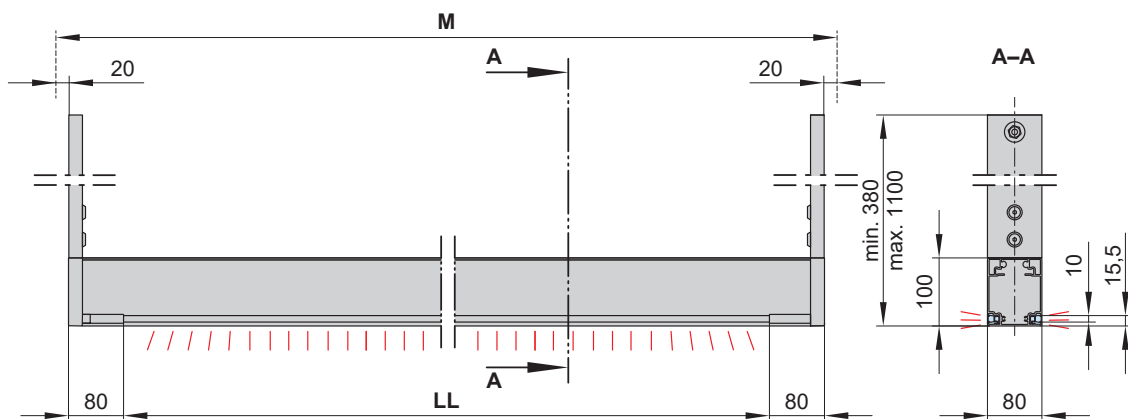
LED-Lines in in the cover support profiles – overview of dimensions



Technical specification

operating voltage	230 V, 50 Hz
power output per metre	10 W / metre
number of LEDs per metre	120 units / metre
light source	LED (12 V)
number of transformers	1 unit
light temperature	warm white
IP standard	IP 44
service life	approx. 15.000 h

LED-Line on both sides of the cross-beam¹⁾ Overview of dimensions



- 1) = depending on the extension, a maximum of two cross-beams per field are possible
- AH = installation height
- AT = distance between the cover support profiles
- DH = headroom
- H = **order dimension** = extension
- LL = length of the LED Line

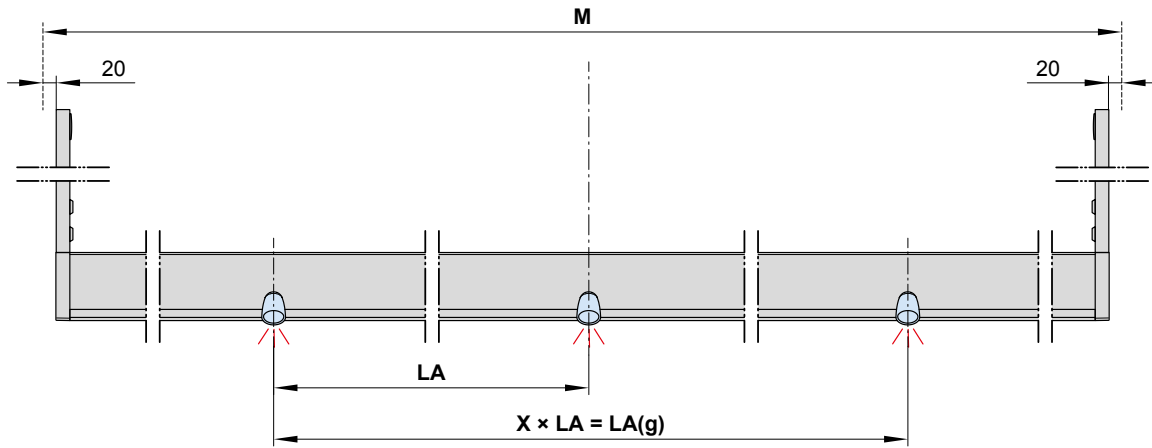
- M = **order dimension** = overall awning width
- SH = **order dimension** = support post height, standard height 2500 mm
- W = pitch setting = 5°–25°
- WS = distance from wall ↔ support post centre
- X = quantity of cover support profile separations

dimensions in mm

01
02
03
04
05
06
07
08
09
10
11
12
13

Lighting options LED-Spots

LED-Spots on both sides of the cross-beam ¹⁾ – quantity and distribution



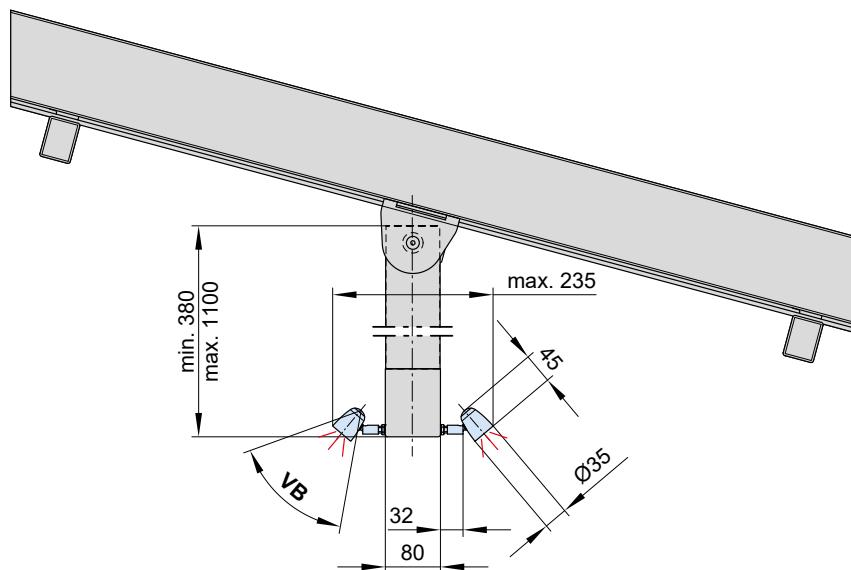
Order dimension = Awning width (M)	201	251	301	351	451	401	501	551	601	651
	-	-	-	-	-	-	-	-	-	-
Quantity of pairs of LED Spots	250	300	350	400	500	500	550	600	650	700
Light source separation (LA)	3	3	3	4	4	5	5	6	6	6
	65	98	98	98	98	98	98	98	98	98

dimensions in cm

Technical specification

operating voltage	230 V, 50 Hz
power output of one LED spotlight	5 W
light source	LED (12 V)
number of transformers	1 unit
light temperature	warm white
IP standard	IP 44
service life	approx. 20,000 h

LED-Spots on both sides of the cross-beam ¹⁾ – overview of dimensions



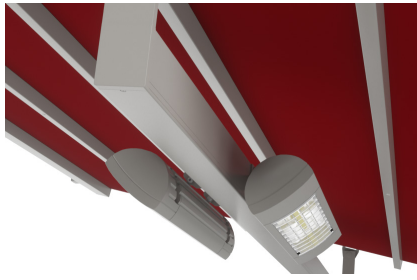
- 1) = depending on the extension, a maximum of two cross-beams per field are possible
- LA = light source separation
- LA(g) = sum of lamp source separations

- M = **order dimension** = overall awning width
- VB = adjustment range
- X = quantity of light source separations

dimensions in mm

markilux infrared heater 2500 W

Dimmable in 3 stages with integrated radio-controlled receiver 868 MHz io



Special features

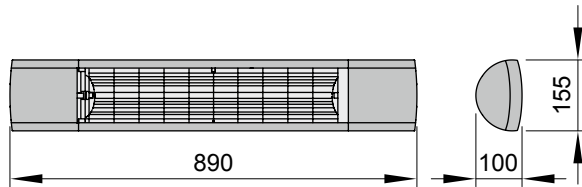
- soft start function with reduced initial current surge
- cooling fins on the back prevent excessive heating of the mounting surface
- the asymmetrical reflector gives optimum heat distribution
- infrared halogen lamp with "Ultra Low Glare" heating tube technology and pleasant colour temperature
- minimum installation height 1.8 m
- minimum distance to any irradiated object 1 m

markilux heaters offer the benefit of cosy infrared warmth – making your stay outside a pleasant one. While producing a minimum of glare, they turn the energy used into a maximum of warmth. Infrared heaters are perfect leisure time companions for garden, terrace, balcony and under awnings. They are efficient, conserve energy and create a warm atmosphere at the touch of a button.

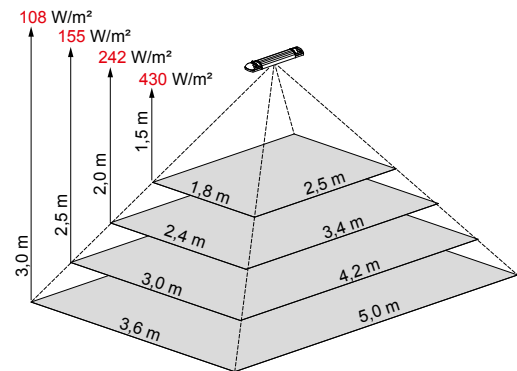
Technical specification

power supply	230 V, 50 Hz, 16 A
power supply wire cross section	H05SS-F2G 3 × 1,5 mm ²
power output (per heater)	2500 Watt
IP standard	IP 54
length × depth × height	890 × 100 × 155 mm

Overview of dimensions



Maximum infrared radiation intensity Infrared heater 2500 Watt

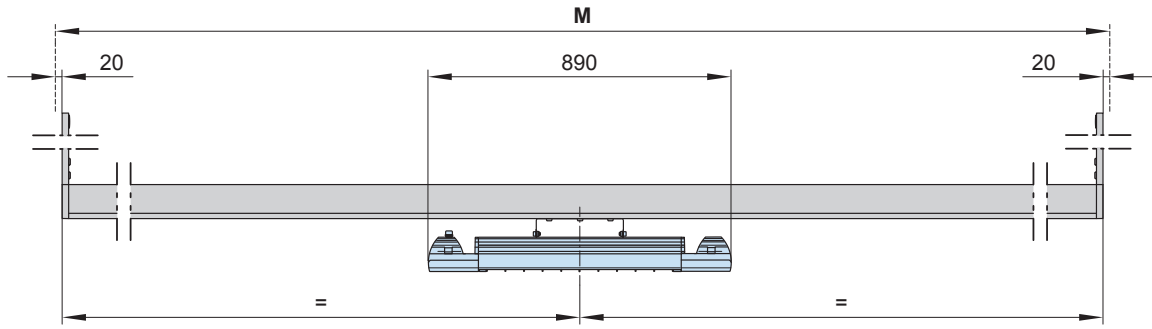


Core radiation zone
(50 % of the central radiation intensity)

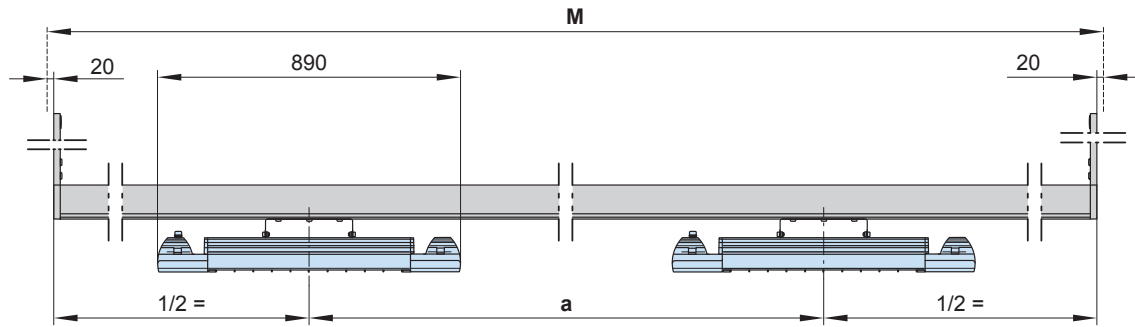
dimensions in mm

01 **Heater options**

02 **1 heater underneath the cross-beam**



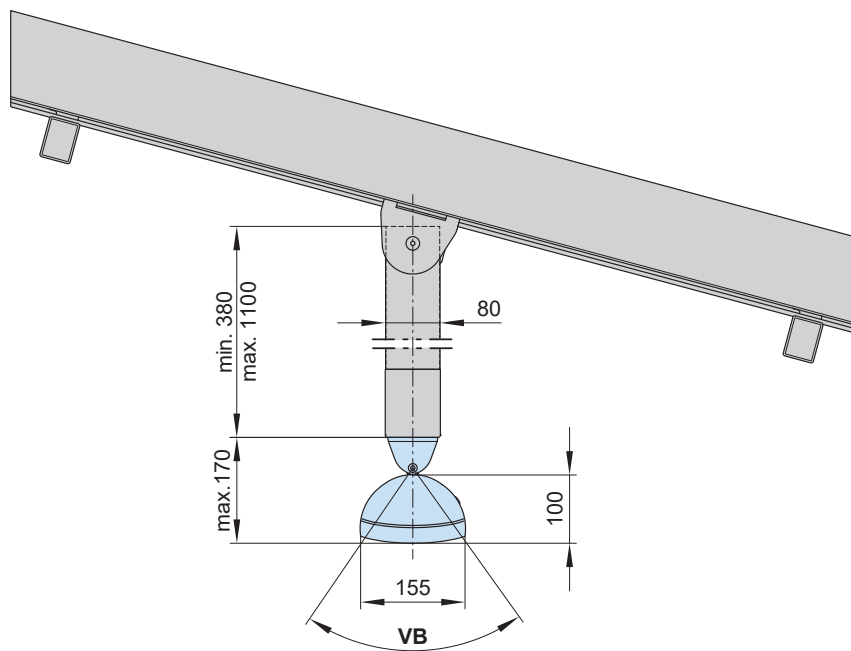
07 **2 or 3 heaters underneath the cross-beam**



awning width (M)	301	351	401	451	501	551	601	651
	-	-	-	-	-	-	-	-
	350	400	450	500	550	600	650	700
a in the case of two heaters	150	175	200	225	250	275	300	325
a in the case of three heaters	-	-	-	-	170	185	200	220

dimensions in cm

13 **Lateral view**

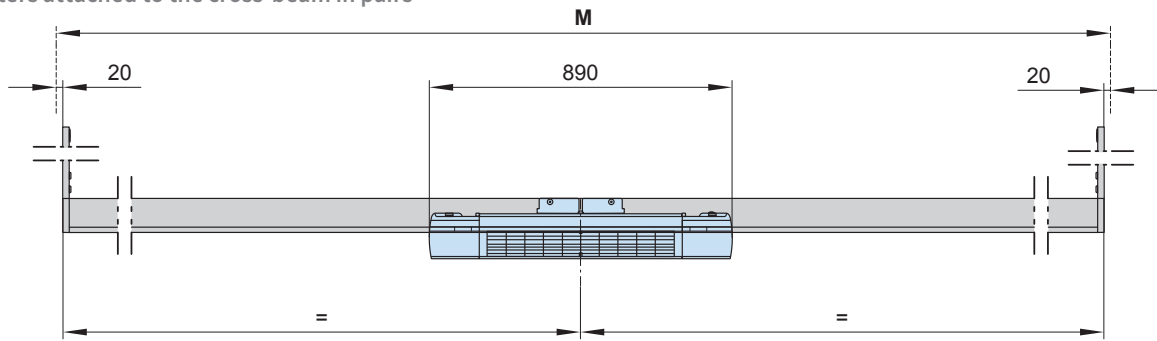


- a** = heater separation
- M** = **order dimension** = overall awning width
- VB** = adjustment range

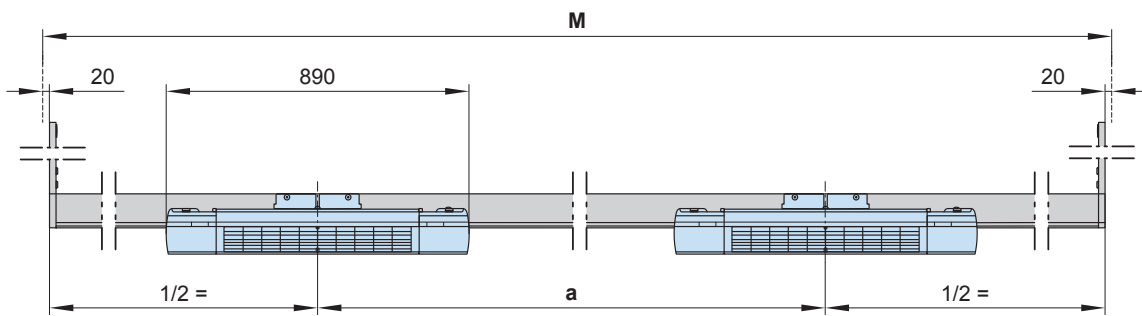
dimensions in mm

Heater options

2 heaters attached to the cross-beam in pairs



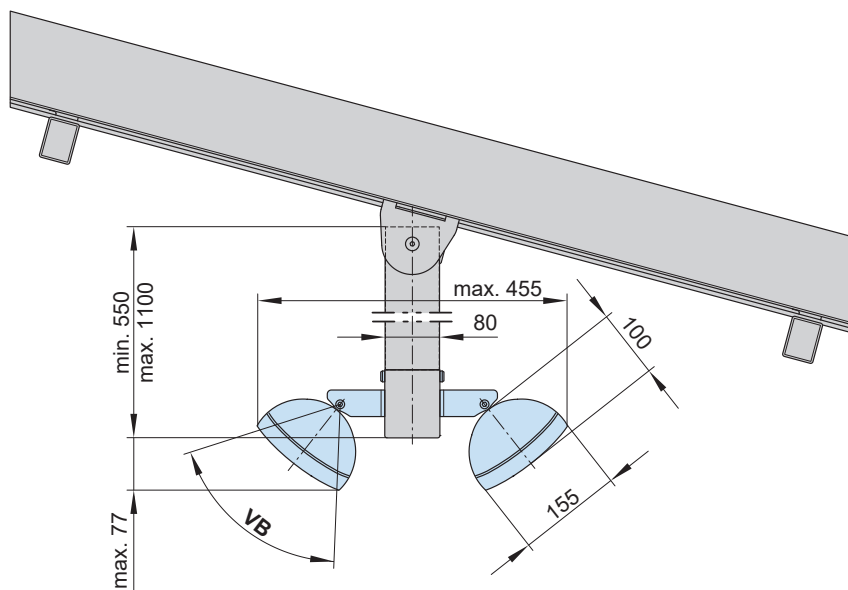
4 or 6 heaters underneath the cross-beam



awning width (M)	301	351	401	451	501	551	601	651
	-	-	-	-	-	-	-	-
	350	400	450	500	550	600	650	700
a in the case of four heaters	150	175	200	225	250	275	300	325
a in the case of six heaters	-	-	-	-	170	185	200	220

dimensions in cm

Lateral view



- a** = heater separation
- M** = **order dimension** = overall awning width
- VB** = adjustment range

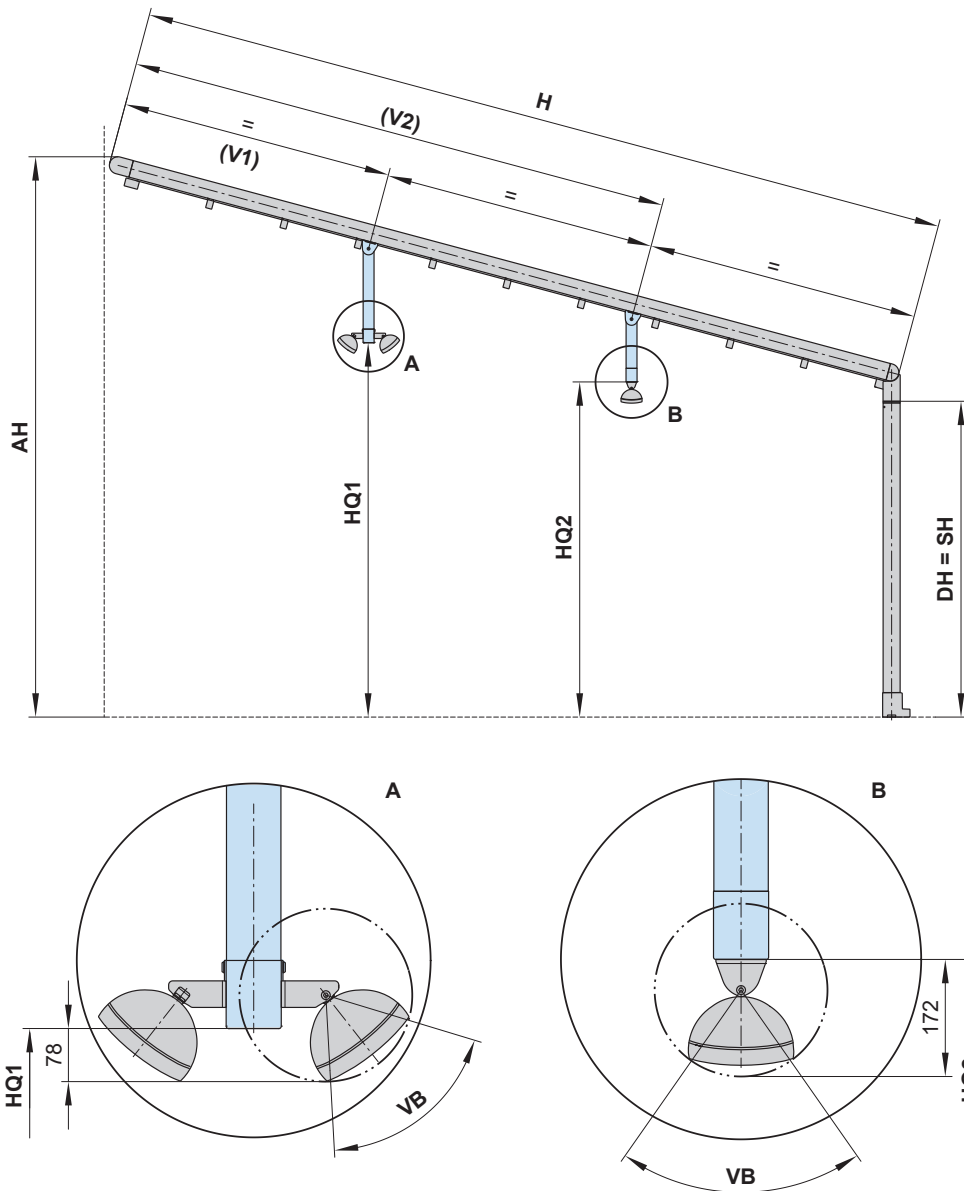
dimensions in mm

01
02
03
04
05
06
07
08
09
10
11
12
13

01
02
03
04
05
06
07
08
09
10
11
12
13

Overview of dimensions

Available headroom when fitting lighting and heating



Calculation of the headroom at the cross-beam

LED-Line	HQ1 / HQ2
LED-Spots	HQ1 - 15 / HQ2 - 15
heaters attached to the side ¹⁾	HQ1 - 78
heaters attached underneath ¹⁾	HQ2 - 172

1) Distribution on request, sample drawing

Minimum heater separation for safety purposes

During planning and installation, the minimum markilux heater separation distances as laid down in the safety guidelines must be observed.

Distance in the case of extra blinds on the side

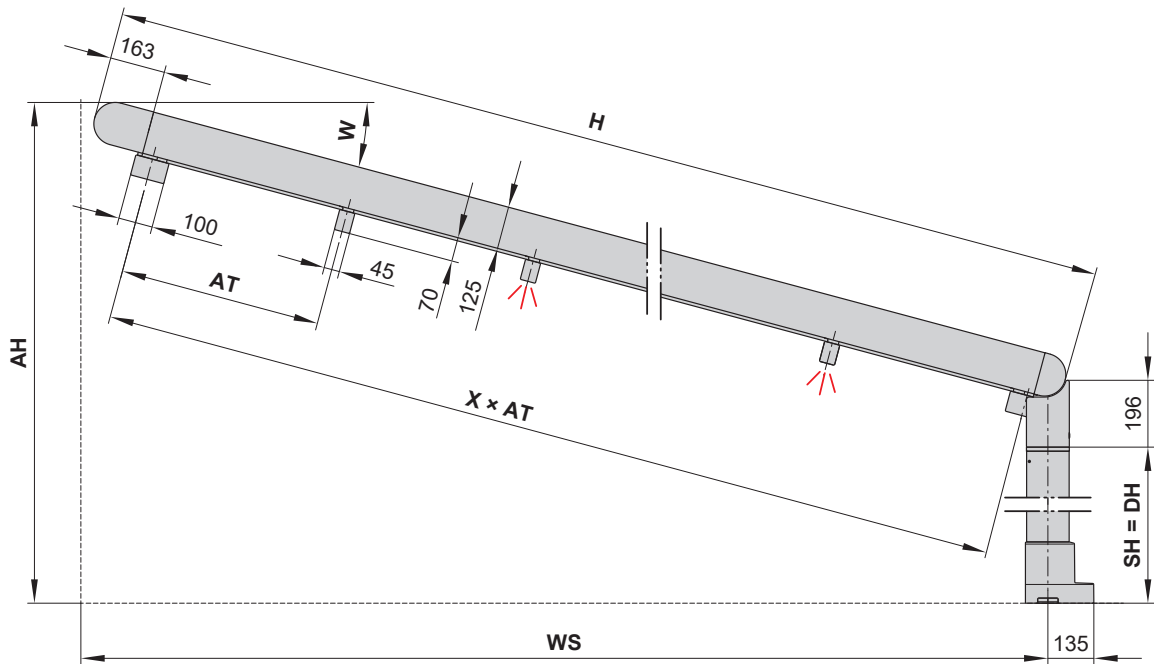
HQ1 und HQ2 ≥ DH

- AH** = unit height
- DH** = headroom
- H** = extension
- HQ1** = **order dimension** = height of the underside of cross-beam 1
- HQ2** = **order dimension** = height of the underside of cross-beam 2

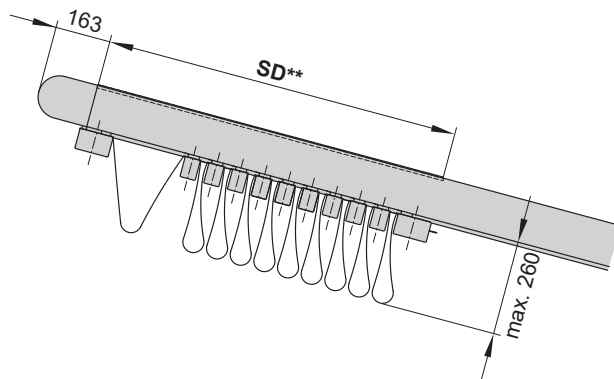
- SH** = **order dimension** = support post height, standard height 2500 mm
 - VB** = adjustment range
 - V1** = **order dimension** = rear of the cassette ↔ centre of the cross-beam 1, min. 250 mm
 - V2** = **order dimension** = rear of the cassette ↔ centre of the cross-beam 2, max. H-250 mm
- dimensions in mm

Overview of dimensions

Awning dimensions



Awning dimensions - awning retracted



Note: The depth of the fabric when retracted corresponds to the depth of the coverboard. In the case of awnings without a coverboard, all the folds in the fabric are closed tightly against one another.

Coverboard dimension matrix

extension (H)	201	257	313	368	424	480	535	591	647
	-	-	-	-	-	-	-	-	-
	256	312	367	423	479	534	590	646	700
quantity of cover support profiles	3	4	5	6	7	8	9	10	11
quantity of cover support profiles	3	3	3	4	4	4	5	5	5
coverboard depth (SD)	63	63	63	84	84	84	105	105	105

dimensions in cm

- ** = refer to the "Coverboard dimension matrix"
- AH = fixture height
- AT = distance between the cover support profiles
- DH = headroom
- H = **order dimension** = extension
- SD = coverboard

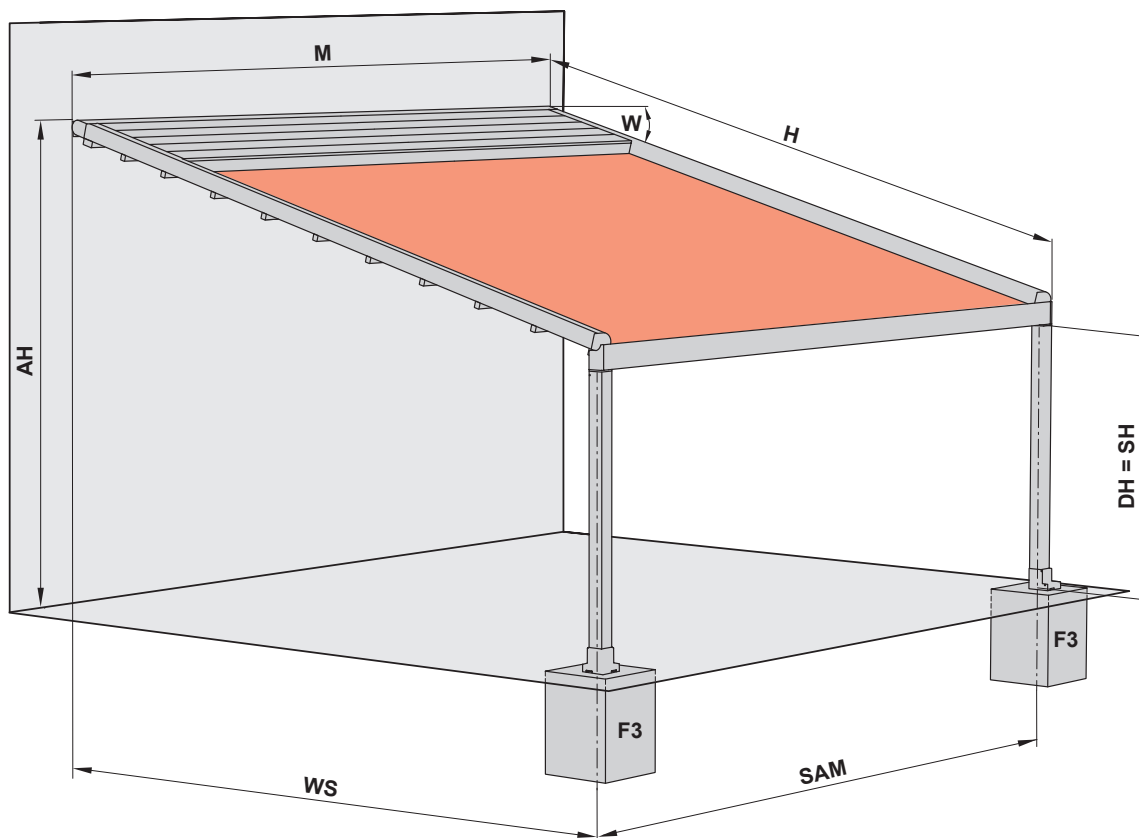
- SH = **order dimension** = support post height, standard height 2500 mm
- W = pitch setting = 5°-25°
- WS = distance from wall ↔ support post centre
- X = quantity of cover support profile separations

dimensions in mm

01 **Overview of dimensions**

02 Unit with 2 guide tracks ($M \leq 450$ cm)

03
04

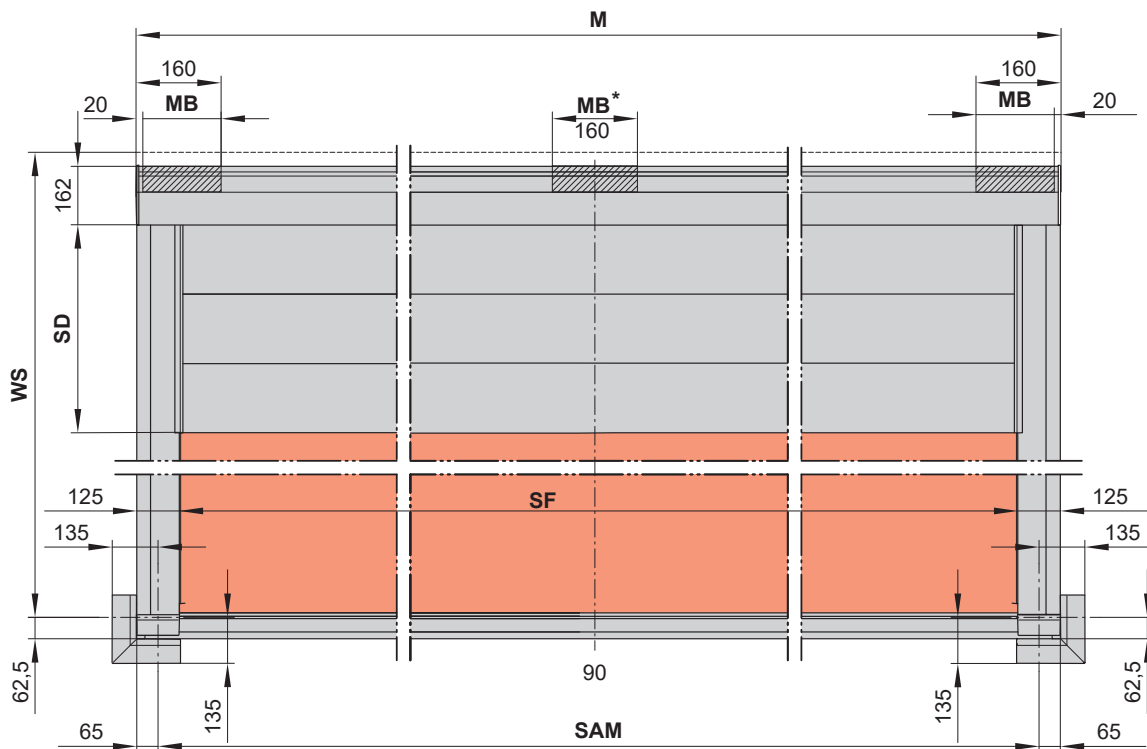


05
06
07
08
09
10
11
12
13

- AH = unit height
- DH = headroom
- F3 = concrete foundation. Please refer to the section “Concrete foundations”
- H = **order dimension** = extension
- M = **order dimension** = overall awning width
- SAM = post separation, centre to centre
- SH = **order dimension** = support post height, standard height 2500 mm
- W = pitch setting = 5°-25°
- WS = distance from wall ←→ support post centre

Overview of dimensions

Unit with 2 guide tracks – bracket fixture range



01
02
03
04
05
06
07
08
09
10
11
12
13

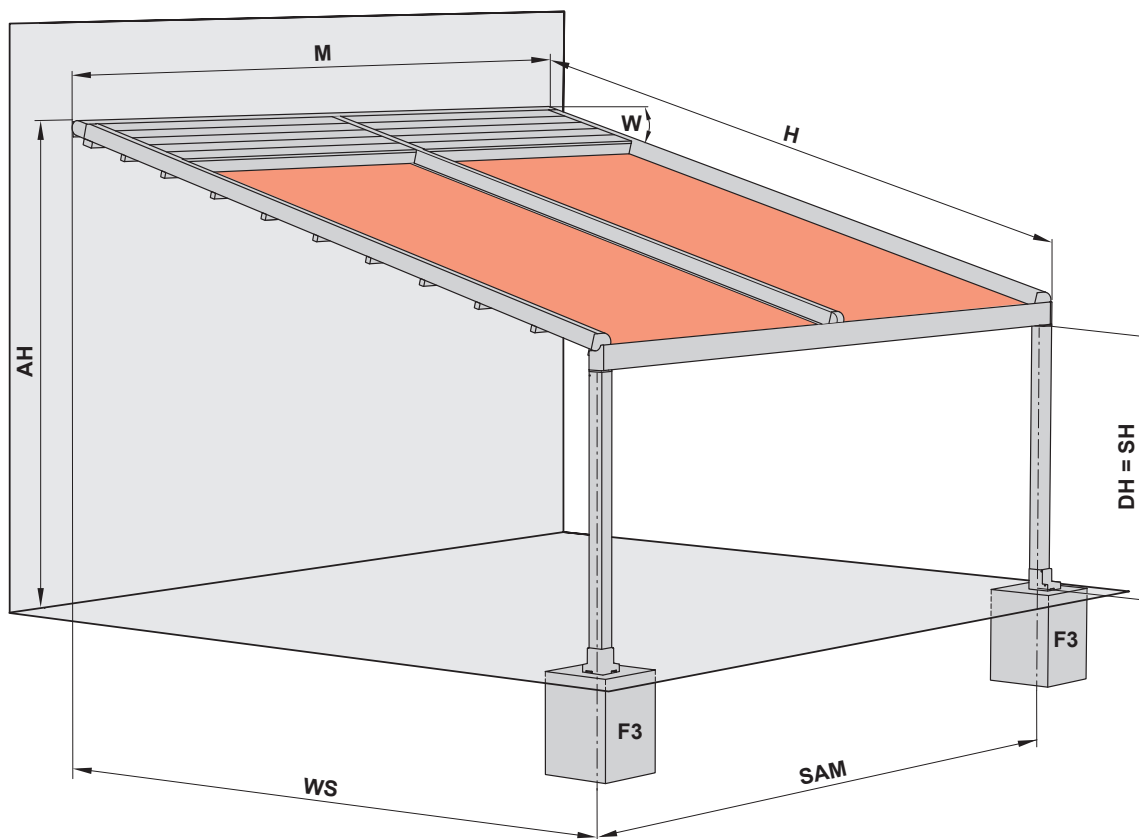
- * = an additional central bracket is required from M = 401 cm
- M** = **order dimension** = overall awning width
- MB** = bracket fixture range
- SAM** = post separation, centre to centre
- SD** = coverboard
- SF** = visible cover
- WS** = distance from wall ↔ support post centre

dimensions in mm

01 **Overview of dimensions**

02 Unit with 3 guide tracks ($M \geq 451$ cm)

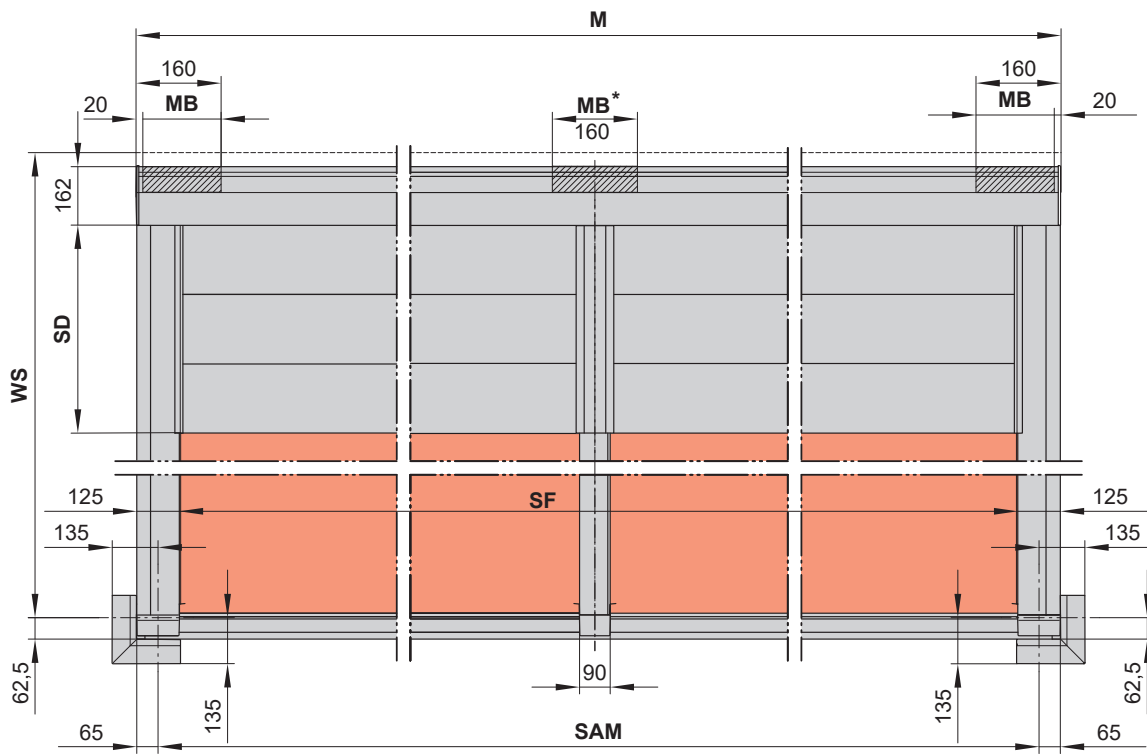
03
04



- AH = unit height
- DH = headroom
- F3 = concrete foundation. Please refer to the section “Concrete foundations”
- H = **order dimension** = projection
- M = **order dimension** = overall awning width
- SAM = post separation, centre to centre
- SH = **order dimension** = support post height, standard height 2500 mm
- W = pitch setting = 5°-25°
- WS = distance from wall \leftrightarrow support post centre

Overview of dimensions

Unit with 3 guide tracks – bracket fixture range



- * = an additional central bracket is required from M = 401 cm
- M** = **order dimension** = awning width
- MB** = bracket fixture range
- SAM** = post separation, centre to centre
- SD** = coverboard
- SF** = visible cover
- WS** = distance from wall ↔ support post centre

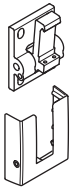
dimensions in mm

01
02
03
04
05
06
07
08
09
10
11
12
13

01
02
03
04
05
06
07
08
09
10
11
12
13

Face fixture

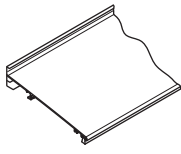
Fixtures, fittings and accessories



face fixture bracket
incl. decorative cover

pitch adjustment
range 5°–25°

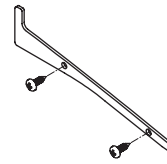
71455.



wall sealing profile
incl. brush seal

by the metre

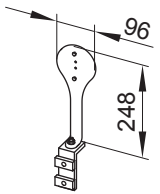
76385. and 704241.



side plate
for wall sealing profile

including 2 pan-head
self-tapping screws

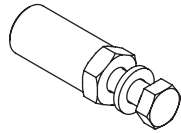
76386. and 2 × 735611



bracket
automatic weather
control sensor

io

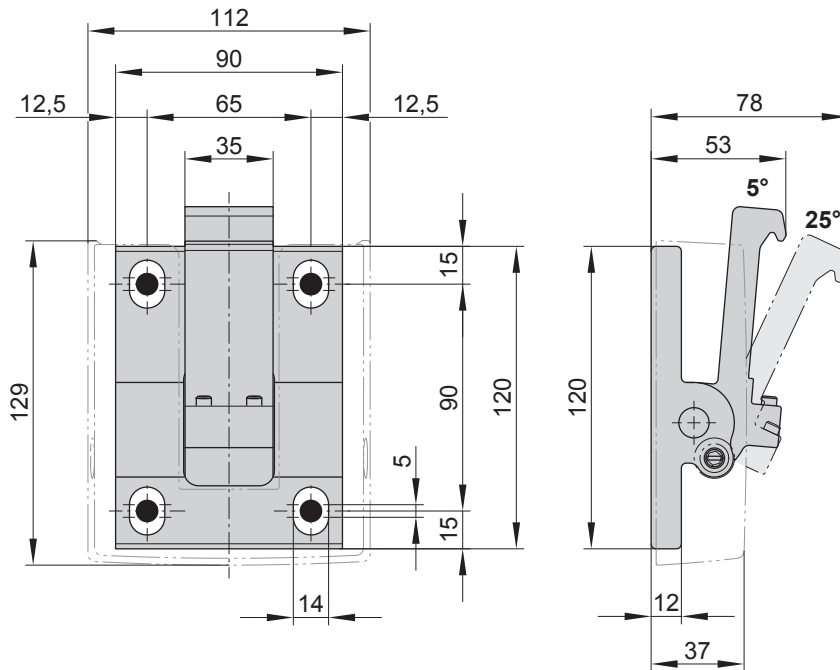
71952.



reduction bolt

pack 10 pcs

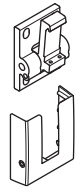
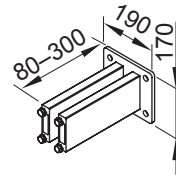
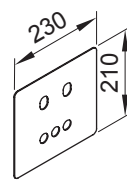
M 16 → M 12 | M 16 → M 10 | M 12 → M 10 | M 10 → M 10



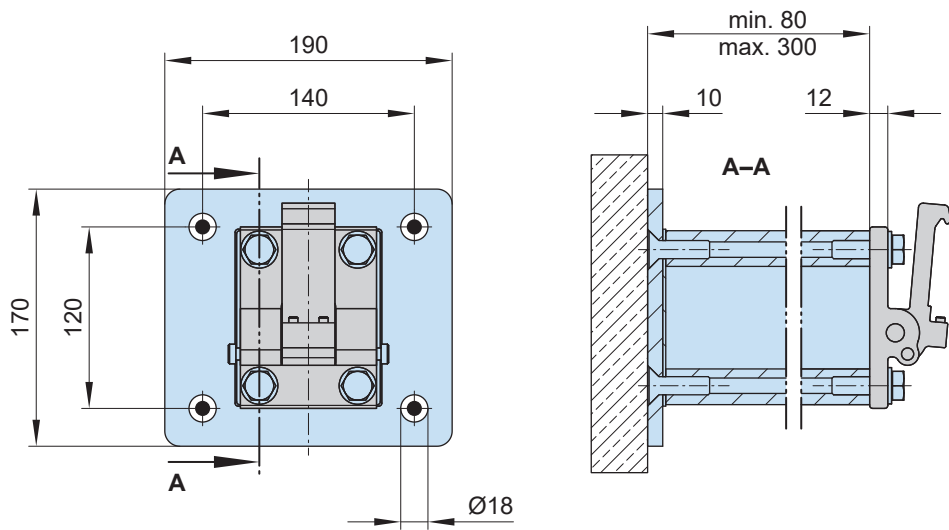
dimensions in mm

Face fixture with stand-off bracket

Fixtures, fittings and accessories

 <p>face fixture bracket incl. decorative cover</p> <p>pitch adjustment range 5°–25°</p> <p>71455.</p>	 <p>Stand-off bracket for face fixture bracket 70617. and 70600.</p> <p>80–300 mm incl. insulating element</p> <p>77968.</p>	 <p>cover plate for spacer plate and stand-off brackets in the case of external insulation</p> <p>230 × 210 × 2 mm</p> <p>71843.</p>
--	--	--

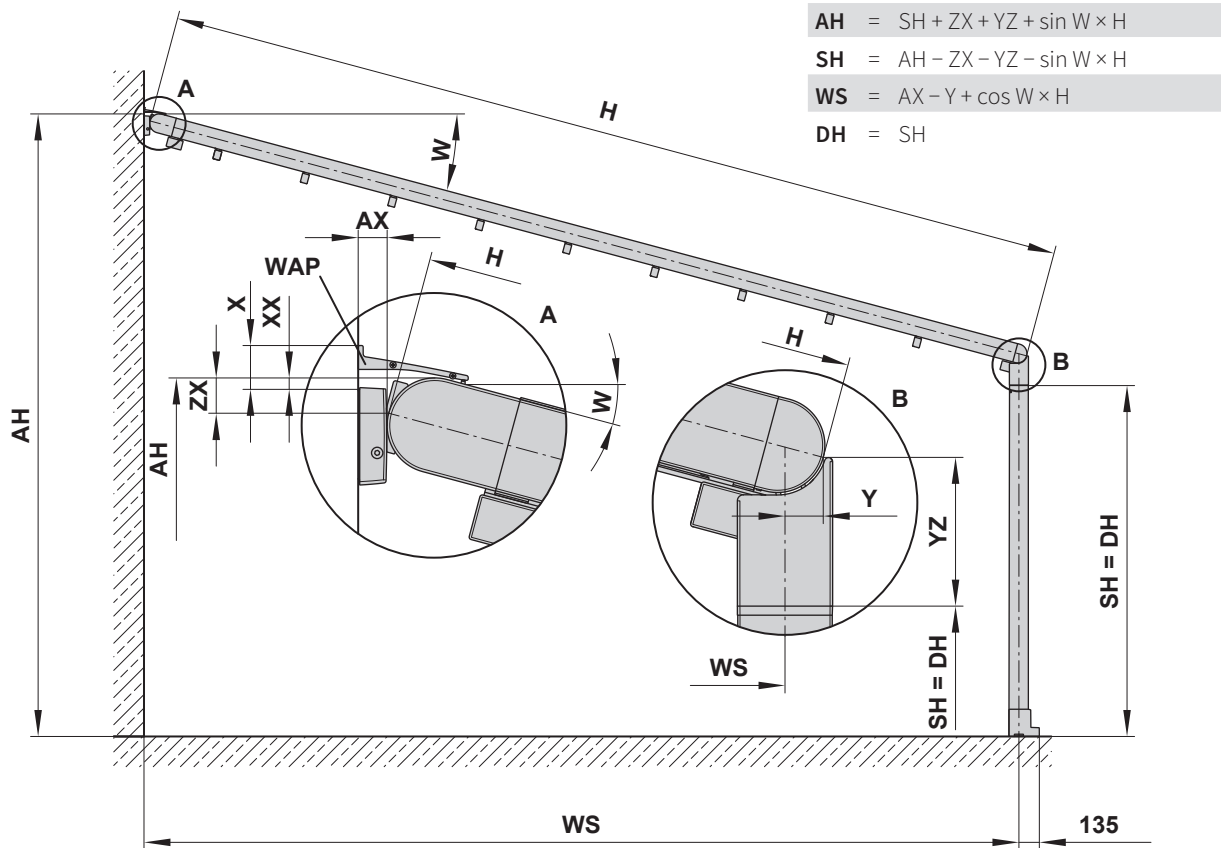
- 01
- 02
- 03
- 04**
- 05
- 06
- 07
- 08
- 09
- 10
- 11
- 12
- 13



dimensions in mm

Calculation of the installation measurements

Face fixture



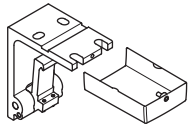
W	AX	Y	ZX	YZ	XX	X
5°	34	52	58	207	30	75
10°	37	52	52	202	23	65
15°	41	51	47	197	16	57
20°	44	49	41	191	8	50
25°	47	47	36	186	0	42

- AH = installation height
- AX = measurement from the wall ↔ rear centre of the cassette
- DH = headroom
- H = **order dimension** = extension
- SH = **order dimension** = support post height, standard height 2500 mm
- W = pitch (measured from the horizontal)
- WAP = wall sealing profile
- WS = distance from wall ↔ support post centre
- X = measurement from the top of the fixture bracket ↔ top edge of the wall sealing profile
- YX = measurement from the top edge of the fixture bracket ↔ top of the cassette
- Y = measurement from the leading edged of the front profile ↔ centre of the support post
- YZ = measurement from the leading edge of the front profile ↔ underside of the gutter
- ZX = measurement from the top of the cassette ↔ rear centre of the cassette

dimensions in mm

Top fixture

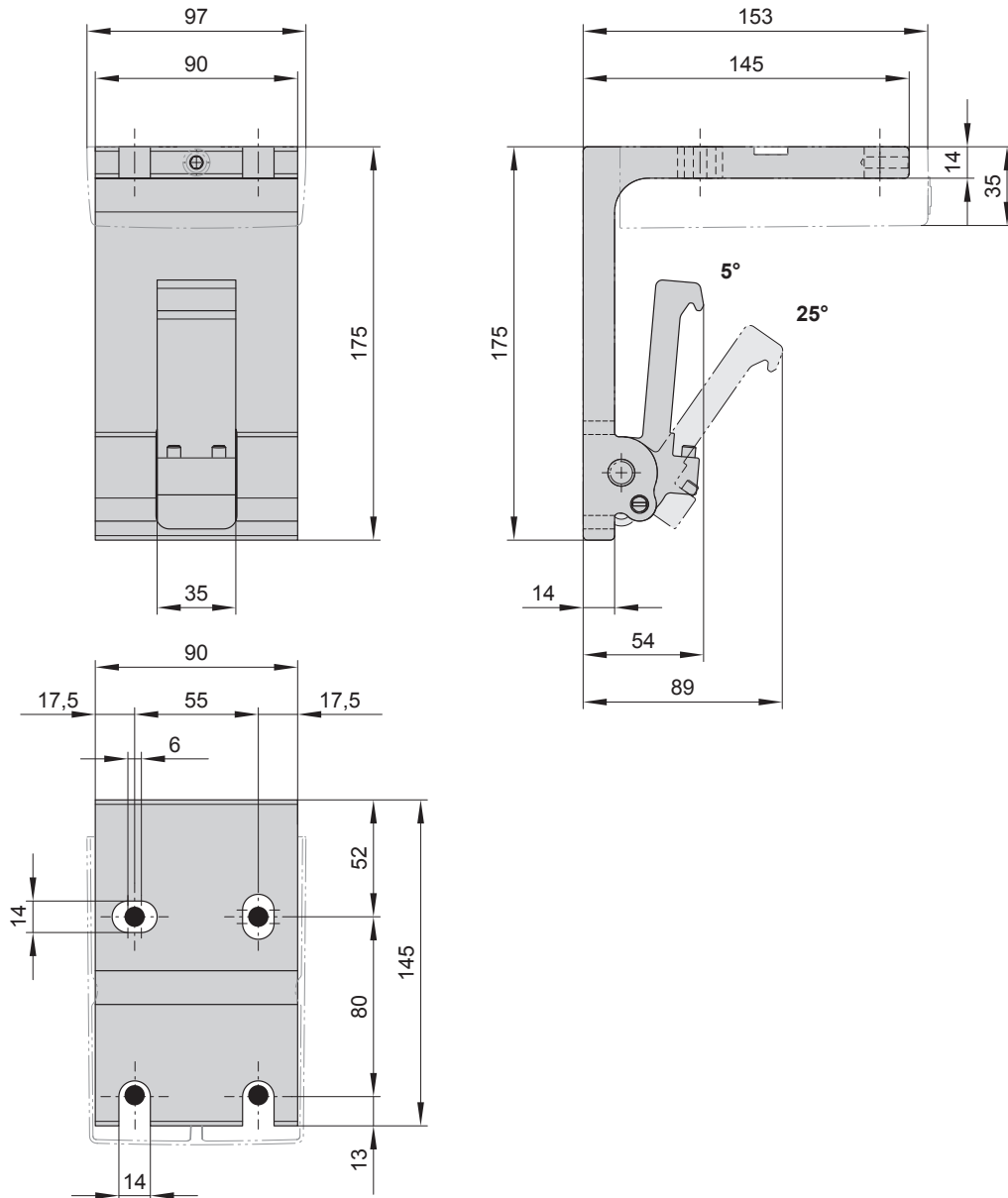
Fixtures, fittings and accessories



top fixture bracket
incl. decorative cover

pitch adjustment
range 5°–25°

71457.



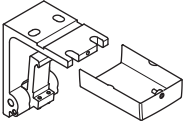
- 01
- 02
- 03
- 04**
- 05
- 06
- 07
- 08
- 09
- 10
- 11
- 12
- 13

dimensions in mm

01
02
03
04
05
06
07
08
09
10
11
12
13

Eaves fixture bracket 150 mm

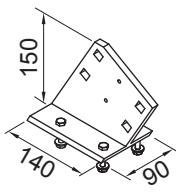
Fixtures, fittings and accessories



top fixture bracket
incl. decorative cover

pitch adjustment
range 5°–25°

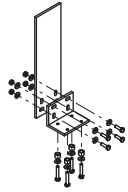
71457.



eaves fixture bracket
90 mm

150 mm plate

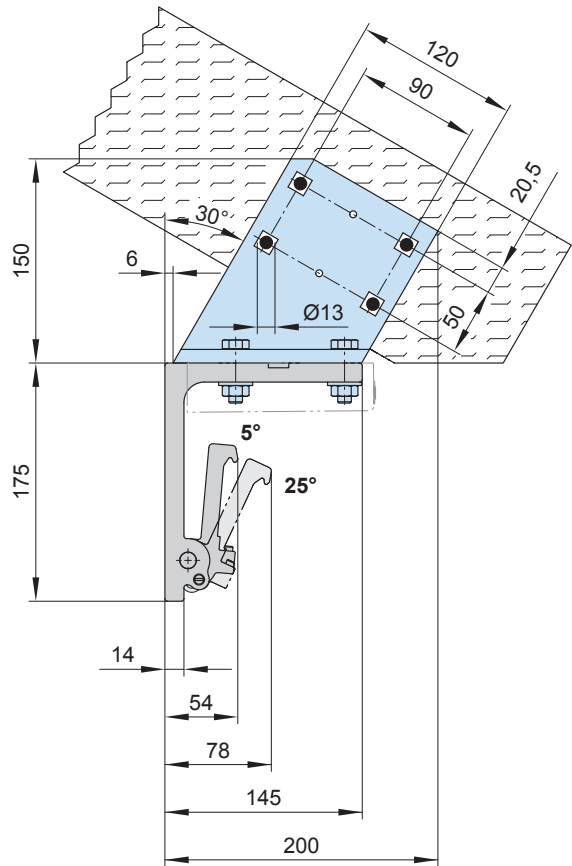
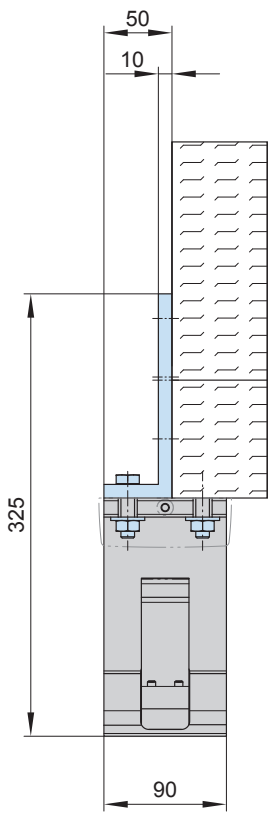
75889.



angle and plate for
eaves fixture
height of plate 500 mm

machine finish

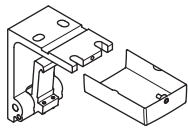
716620



dimensions in mm

Eaves fixture bracket 270 mm

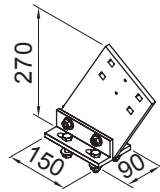
Fixtures, fittings and accessories



top fixture bracket
incl. decorative cover

pitch adjustment
range 5°–25°

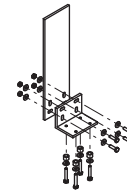
71457.



eaves fixture bracket
90 mm

height of flat plate
270 mm

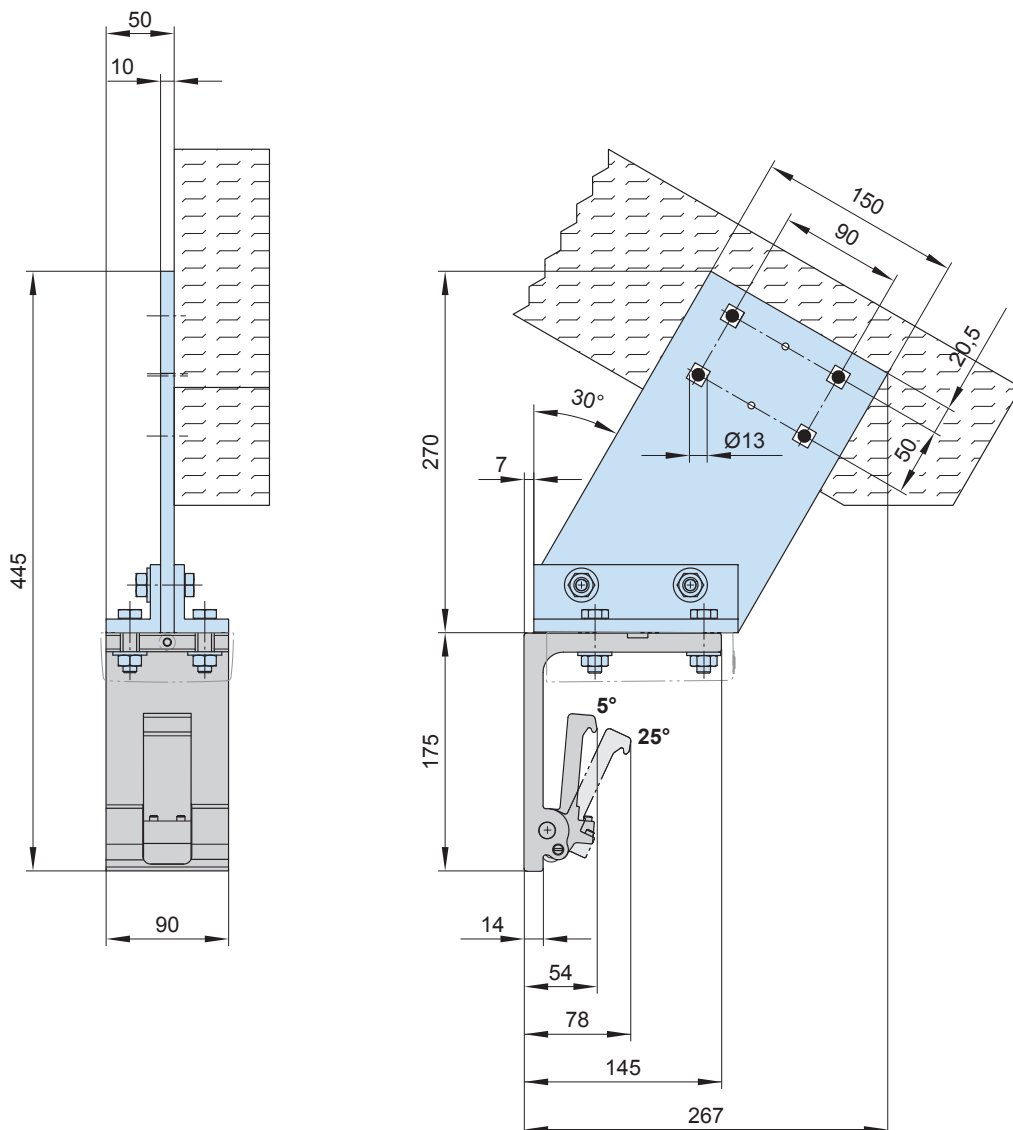
71659.



angle and plate for
eaves fixture
height of plate 500 mm

machine finish

716620



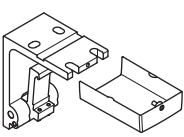
dimensions in mm

01
02
03
04
05
06
07
08
09
10
11
12
13

01
02
03
04
05
06
07
08
09
10
11
12
13

Eaves fixture with supplementary flat backing plate 150 mm

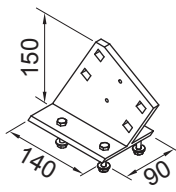
Fixtures, fittings and accessories



top fixture bracket
incl. decorative cover

pitch adjustment
range 5°–25°

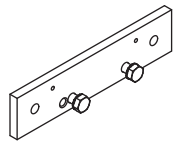
71457.



eaves fixture bracket
90 mm

150 mm plate

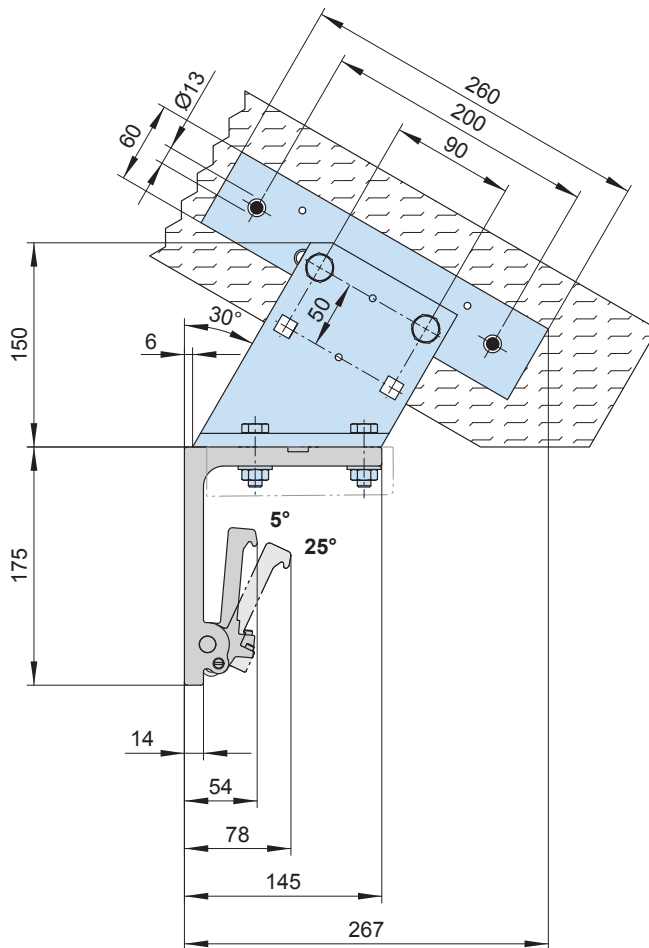
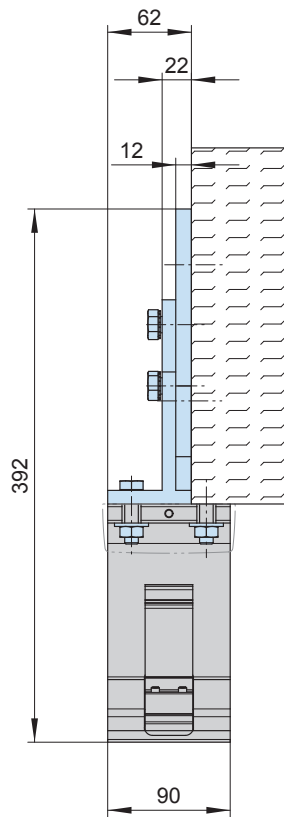
75889.



supplementary flat plate
for eaves fixture

260 × 60 × 12 mm

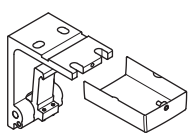
75383.



dimensions in mm

Eaves fixture with supplementary flat backing plate 270 mm

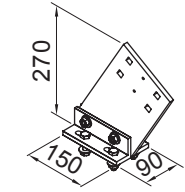
Fixtures, fittings and accessories



top fixture bracket
incl. decorative cover

pitch adjustment
range 5°–25°

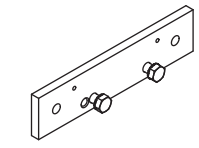
71457.



eaves fixture bracket
90 mm

height of flat plate
270 mm

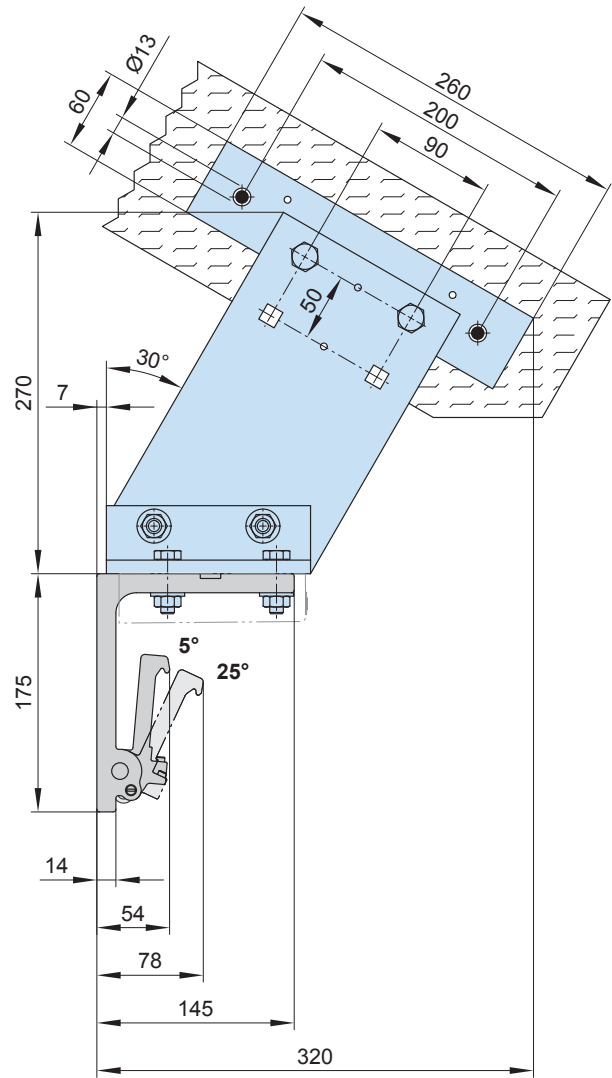
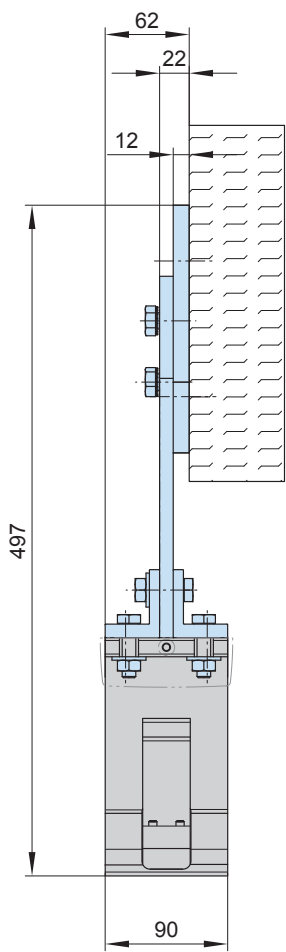
71659.



supplementary flat plate
for eaves fixture

260 × 60 × 12 mm

75383.



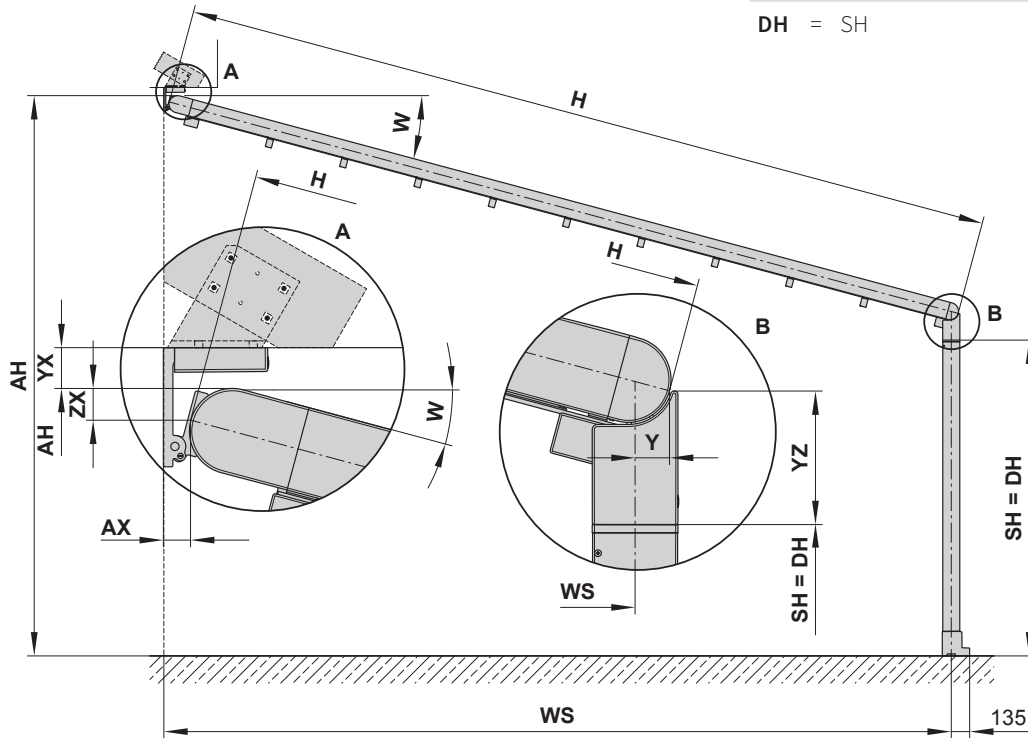
- 01
- 02
- 03
- 04**
- 05
- 06
- 07
- 08
- 09
- 10
- 11
- 12
- 13

dimensions in mm

Calculation of the installation measurements

Top and eaves fixture

$$\begin{aligned}
 AH &= SH + ZX + YZ + \sin W \times H \\
 SH &= AH - ZX - YZ - \sin W \times H \\
 WS &= AX - Y + \cos W \times H \\
 DH &= SH
 \end{aligned}$$



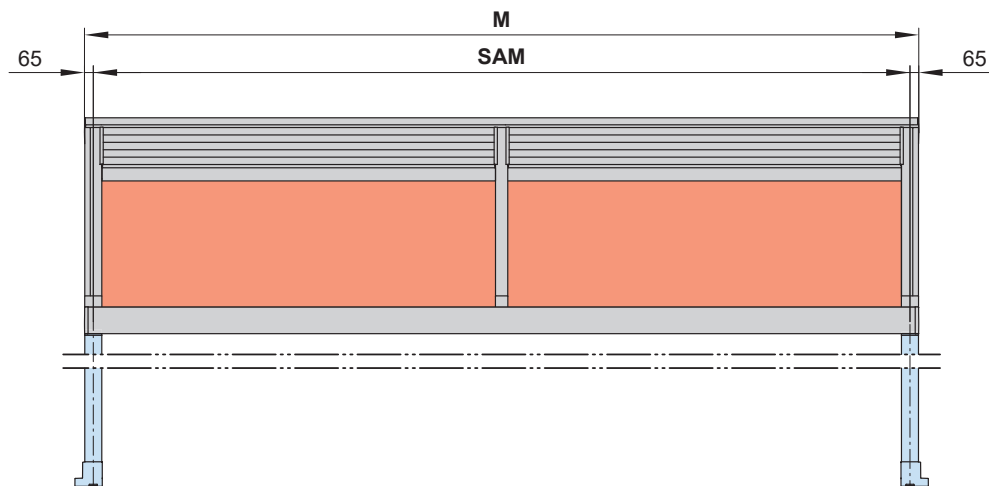
W	AX	Y	ZX	YZ	YX
5°	34	52	58	207	45
10°	37	52	52	202	52
15°	41	51	47	197	60
20°	44	49	41	191	67
25°	47	47	36	186	75

- AH** = installation height
- AX** = measurement from the wall ↔ rear centre of the cassette
- DH** = headroom
- H** = **order dimension** = extension
- SH** = **order dimension** = post height
- W** = pitch (measured from the horizontal)
- WS** = distance from wall ↔ support post centre
- Y** = measurement from the leading edged of the front profile ↔ centre of the support post
- YX** = measurement from the top edge of the fixture bracket ↔ top of the cassette
- YZ** = measurement from the leading edge of the front profile ↔ underside of the gutter
- ZX** = measurement from the top of the cassette ↔ rear centre of the cassette

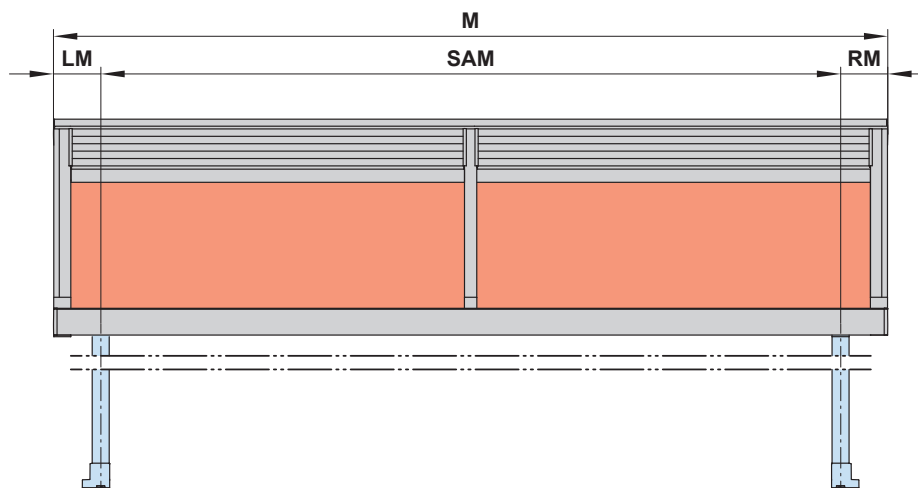
dimensions in mm

Post positions

Standard



Moved inwards



N.B. Maximum LM / RM dimension = 1000 mm.

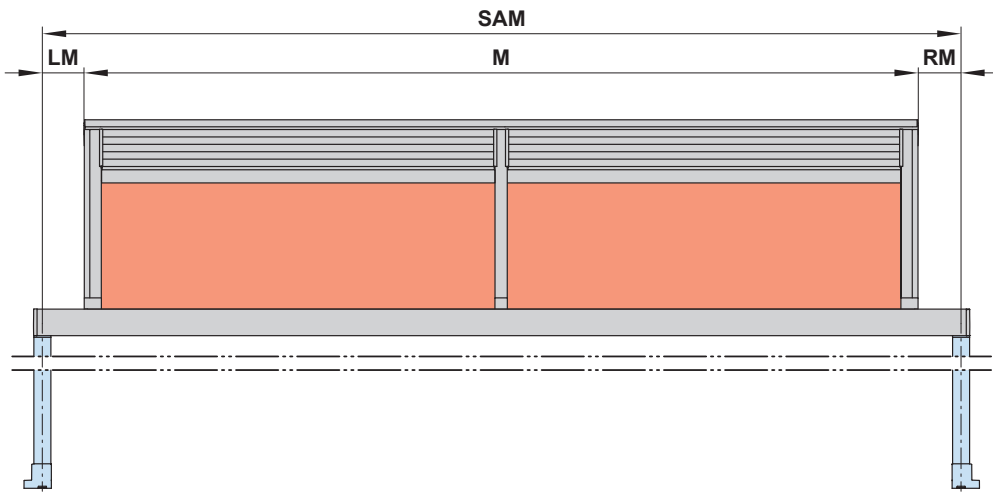
- LM** = order dimension = L dimension
- M** = order dimension = overall awning width
- RM** = order dimension = R dimension
- SAM** = post separation, centre to centre

dimensions in mm

01
02
03
04
05
06
07
08
09
10
11
12
13

01 **Post positions**

02 Outwards



04

05

06

07

08

09

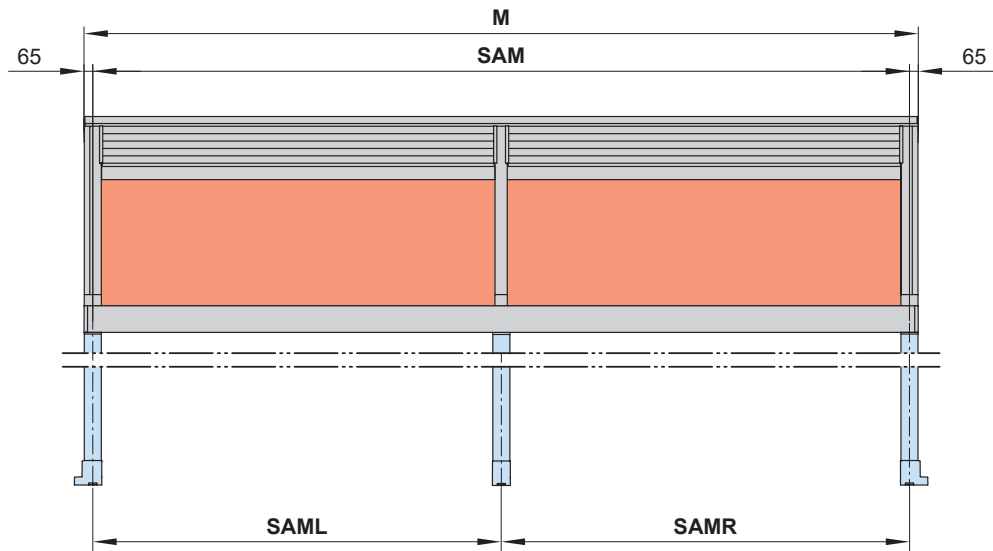
10 **N.B.** Maximum LM / RM dimension = 1000 mm. Maximum gutter width = 7000 mm.

11

12

13

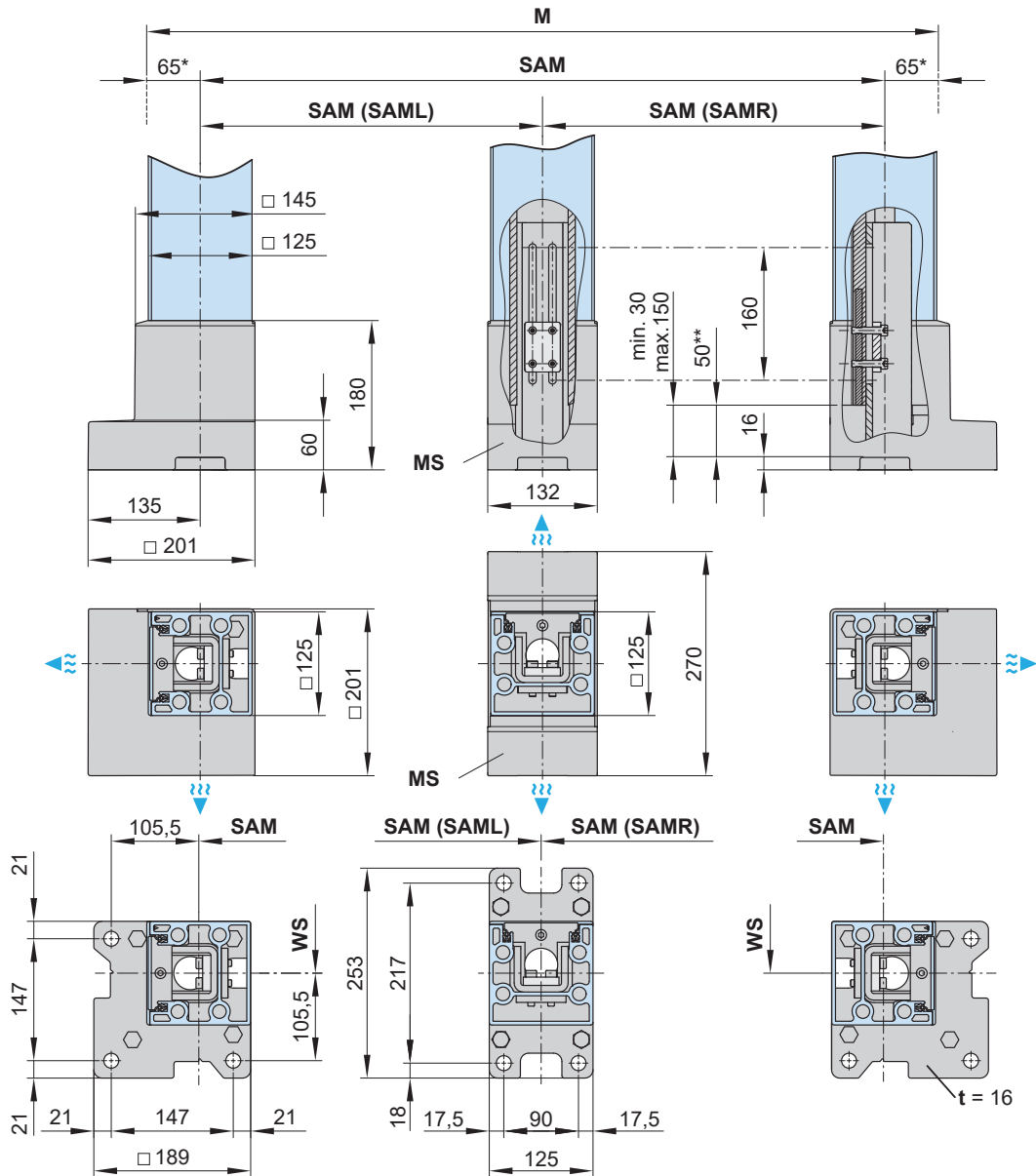
Extra post underneath the front gutter




- LM = **order dimension** = L dimension
- M = **order dimension** = awning width
- RM = **order dimension** = R dimension
- SAM = post separation, centre to centre
- SAML = extra post separation, centre to centre, left
- SAMR = extra post separation, centre to centre, right

dimensions in mm

Post dimensions



-  = water drainage
- *** = dimensions, posts with standard positioning
- **** = dimensions on delivery
- M** = **order dimension** = overall awning width
- MS** = central post in multi-fiel units
- SAM** = post separation, centre to centre

- SAML** = **order dimension** = extra post separation, centre to centre, left
- SAMR** = extra post separation, centre to centre, right
- t** = thickness of the base plate
- WS** = distance from wall ↔ support post centre

dimensions in mm

01
02
03
04
05
06
07
08
09
10
11
12
13

01 **Concrete foundations**

02

03

04

05

06

07

08

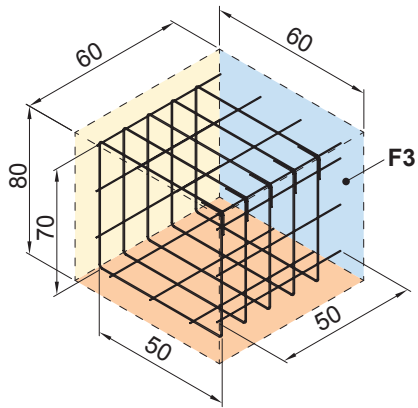
09

10

11

12

13



dimensions in cm

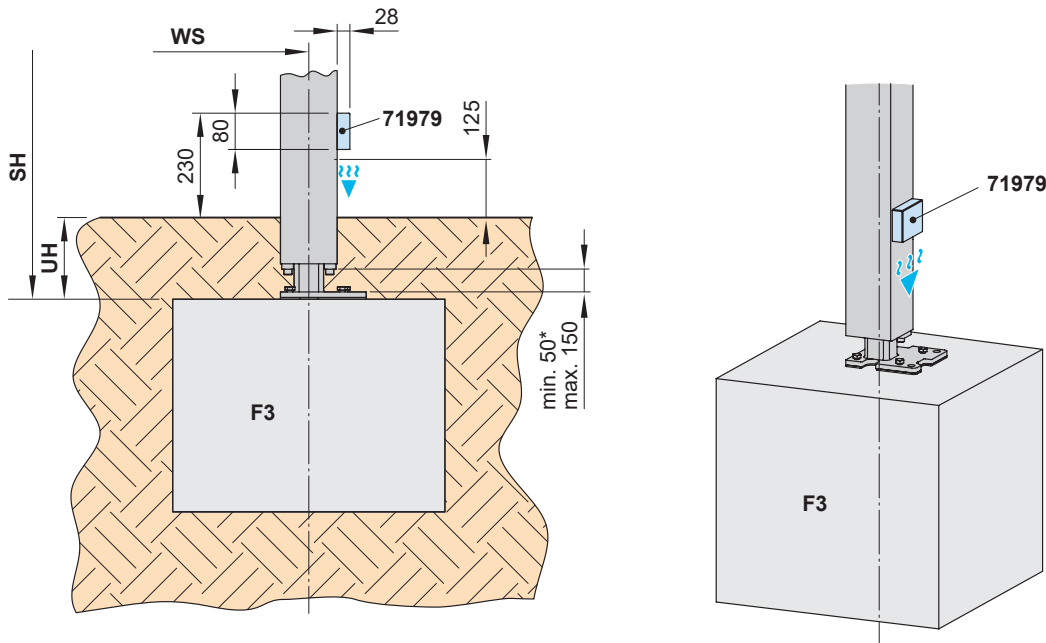
To be supplied on site:

Concrete foundations in compressive strength C25/30 (previously B25) with reinforcing mesh cage made of 6 pcs steel rebar \varnothing 6 mm.

The footplates F3 are to be fitted to the concrete footings using Fischer marine-grade stainless steel anchor bolts FAZ 10/30 aus A4 and washers certified to DIN 9021 (or equivalent).

Overview of foundation dimensions

Foundation below ground, water drainage via the post above ground



71979 = cover for water drainage outlet to the side

= water drainage

* = dimensions on delivery

F3 = concrete foundation. Please refer to the section "Concrete foundations"

SAM = post separation, centre to centre

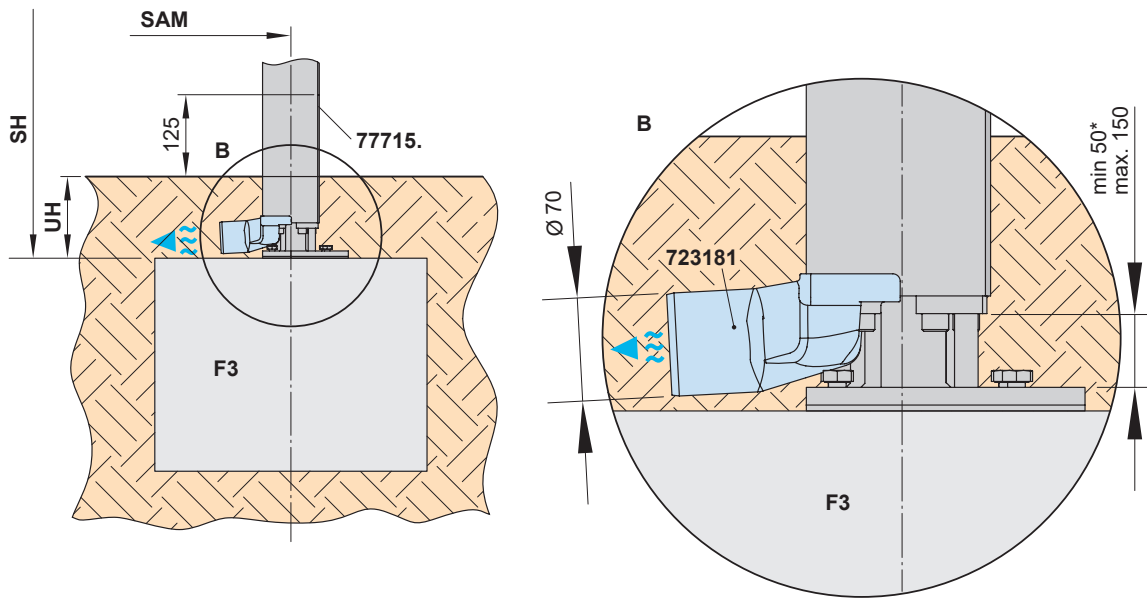
SH = **order dimension** = post height

UH = datum below ground (min. 180 mm – max. 270 mm)

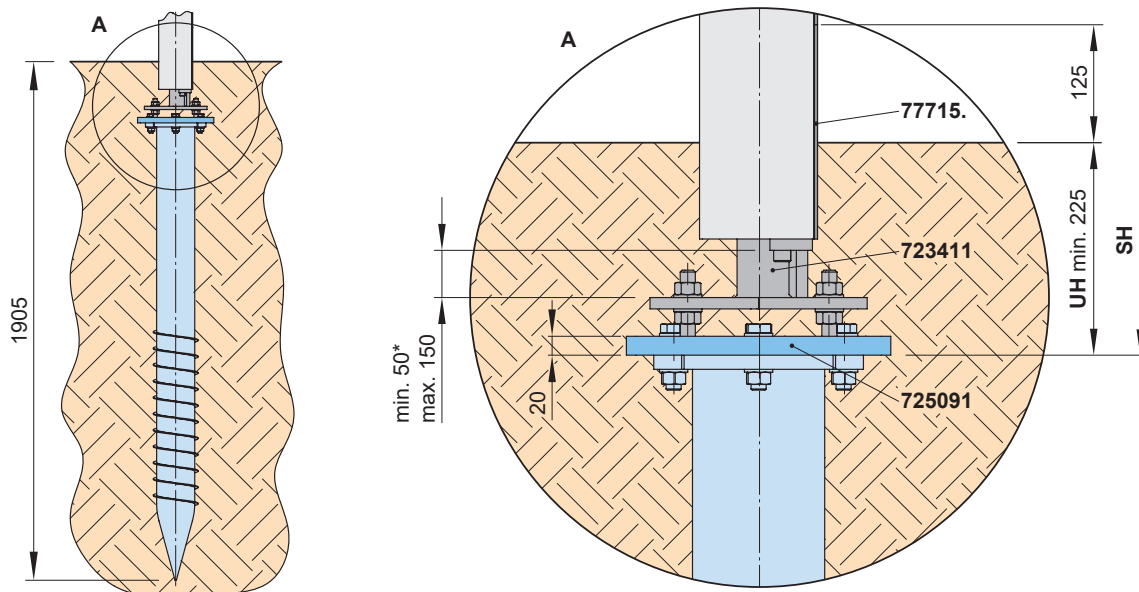
dimensions in mm


Overview of foundation dimensions

Foundation below ground level, water drainage below ground



Krinner screw-in foundations



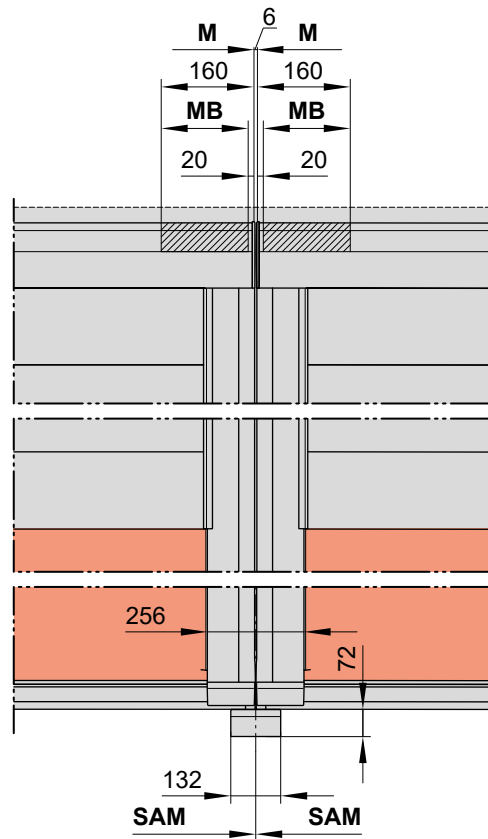
- 723181** = water drainage supports
- 723411** = foot (adjustable in height)
- 725091** = adapter plate
- 77715** = post cover profile, in two pieces
-  = water drainage

- *** = dimensions on delivery
 - F3** = concrete foundation. Please refer to the section "Concrete foundations"
 - SAM** = post separation, centre to centre
 - SH** = **order dimension** = post height
 - UH** = datum below ground (min. 180 mm – max. 270 mm)
- dimensions in mm

01
02
03
04
05
06
07
08
09
10
11
12
13

01 Overview of dimensions

02 Multi-field unit, adjoined awning – bracket fixture range and post meeting point



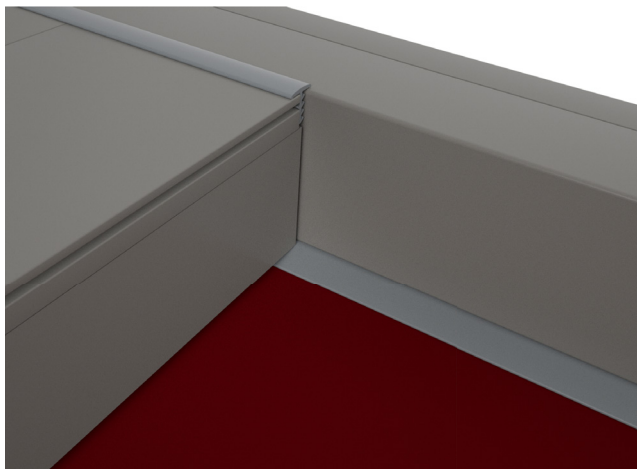
N.B! The markilux pergola stretch is available as a multi-field unit up to a maximum of 5 fields with a total width of 25 m and 1 motor per field.

In the case of a multi-field system, there may be production-related tolerances in the dimensions i.e. differences in the distribution of the fabric support profiles and front profiles in adjoining fields. Consequently, the profiles in different fields may not align perfectly with one another if viewed over the entire width of the systems when they are extended.

Multi-field system, connection point with rubber seal



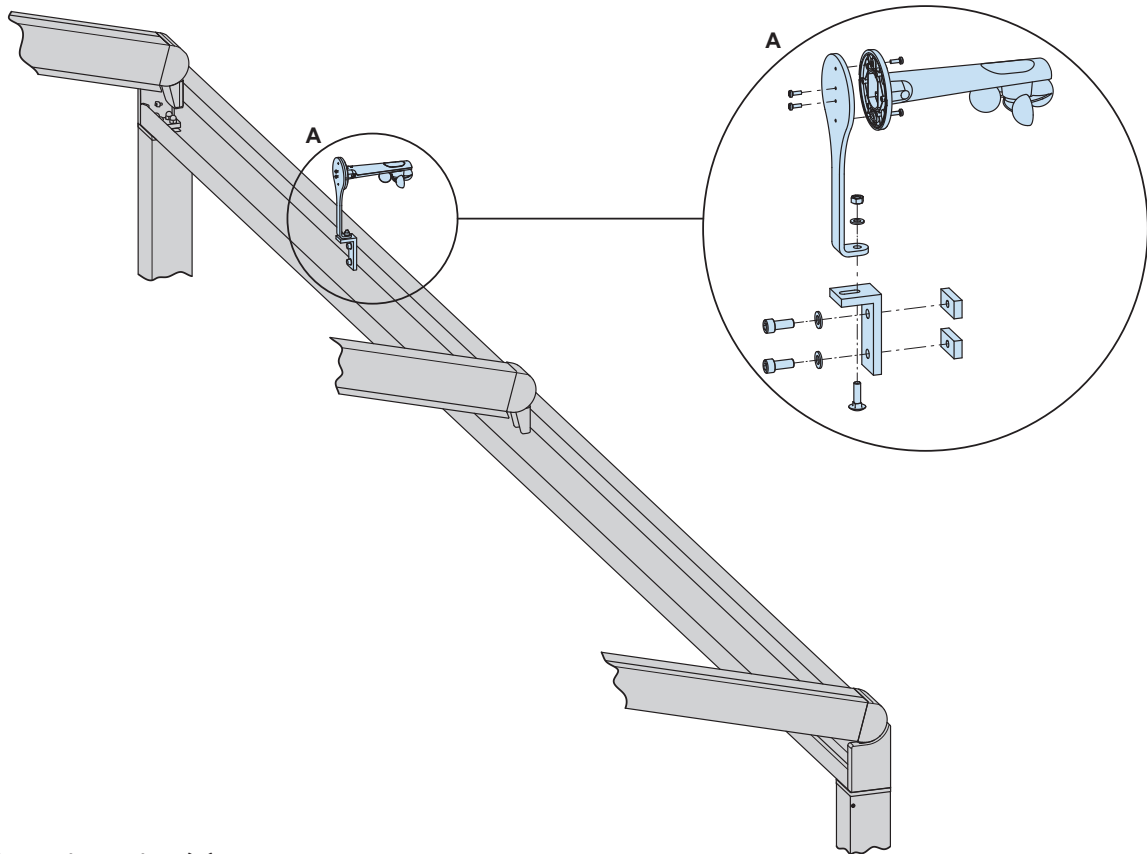
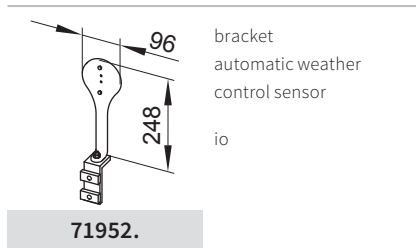
Canopy and fabric transition with seal to guide rail, pergola stretch



- M** = order dimension = overall awning width
- MB** = bracket fixture range
- SAM** = post separation, centre to centre

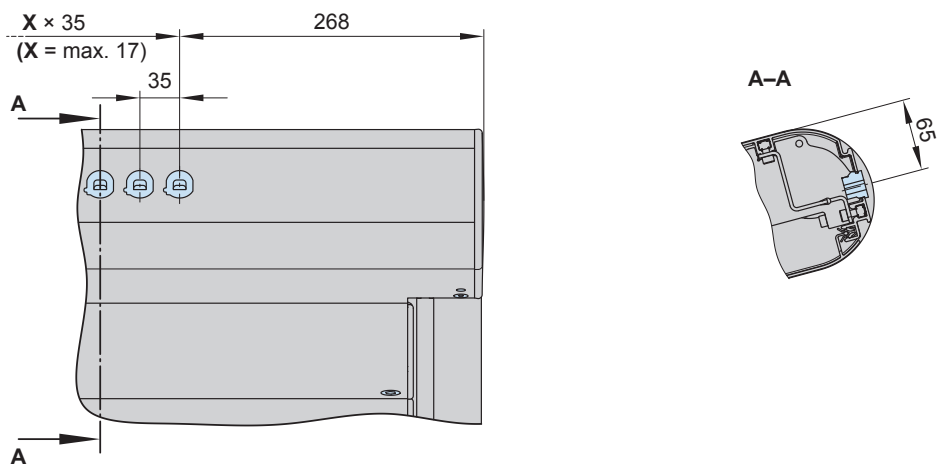
dimensions in mm

Fitting a wind sensor



Cable exit point(s)

Motor, lighting and heater(s)



X = quantity of cable exit point separations

dimensions in mm

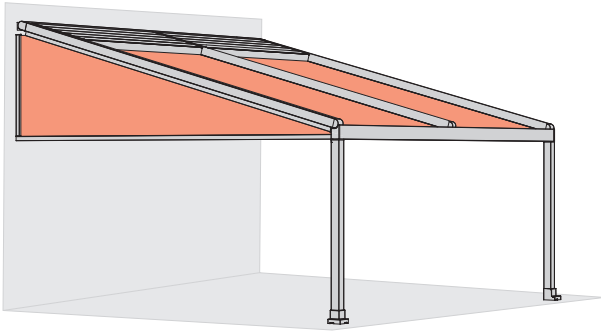
01
02
03
04
05
06
07
08
09
10
11
12
13

01
02
03
04
05
06
07
08
09
10
11
12
13

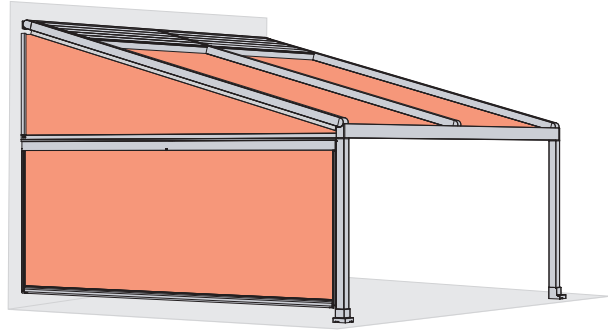
Combination options

Examples depicting the markilux 776 tracfix / 625 tracfix or the markilux format

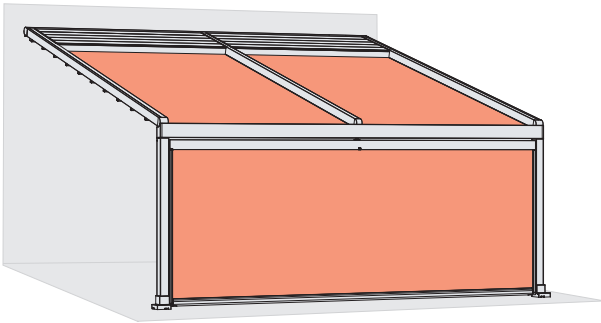
markilux format triangular version



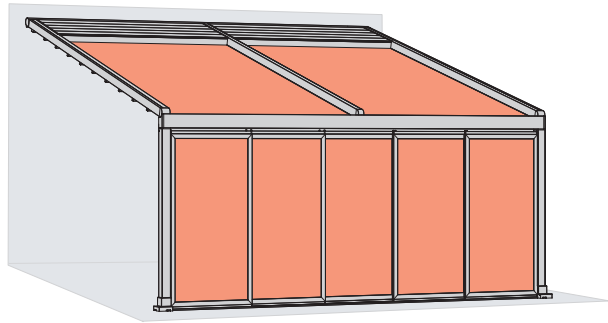
markilux 776 tracfix or markilux 625 tracfix attached to the side(s) together with markilux format triangular screen(s)



markilux 776 tracfix or markilux 625 tracfix between the posts

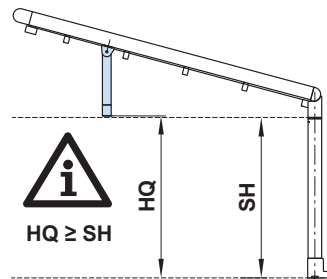
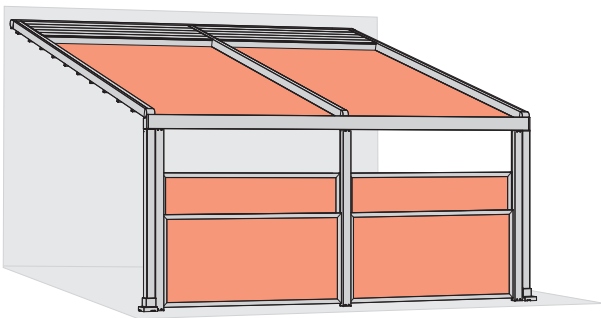


markilux format slide between the posts



width/extension greater than 600 cm = additional centre post

markilux format lift between the posts



The vertical cassette roller blind, the triangular markilux format and the format slide / lift can only be installed if the crossbar height (HQ) is above the post height (SH).

Additional combinations may be possible on request. Refer also to the digital brochure “The markilux pergola stretch with combination options”.

Note: Lateral shading systems are only possible if both front posts are installed in the same “standard” position.