



Cassette awning

## **markilux 990**

The most compact markilux with folding arms – svelte, attractive and functional.

# Product characteristics

Wind resistance class 2  
Beaufort 5 → 7.5–10.4 m/s → 28–37 km/h → 17–23 mph

01  
02  
03  
04  
05  
06  
07  
08



## 09

10  
11  
12  
13  
14  
15  
16  
17

1 face fixture



1 face fixture, maximum pitch of 35°



1 top fixture



1 top fixture, view from the rear



2 twin steel-link chain, corrosion protected



2 bionic tendon made of high-tech fibres for optimum power transference <sup>1)</sup>



1) during extension



3 wall sealing profile <sup>1)</sup>, cassette end cap in polished chrome



1) optional accessory

## Product characteristics

### Description

- the perfectly designed compact cassette awning. The outstanding “lightweight” for balcony and patio

### Special features

- self-supporting cassette profile construction, the brackets being installed at each end of the awning – also suitable for bridging larger distances
- cassette with arms situated in front and at each end, which – when the awning is closed – are encompassed fully by the front profile and which lends an harmonious overall appearance to the awning
- even when the awning is fully extended, the roller tube is completely protected

### Dimensions

- cassette in the standard version: depth 217 mm, height 124 mm
- single unit: minimum width 179 cm at the smallest projection of 150 cm, maximum width 500 cm at the largest projection of 300 cm

### Roller tube and lateral arm bearers

- round roller tube Ø 85 mm with keyway, galvanised steel – excellent stability, ensures near perfect cover performance even at the largest widths
- the arm bearer is made of die-cast aluminium, powder coated, with integrated, infinitely variable pitch setting mechanism

### Awning profiles

- extruded aluminium, in façade quality, powder coated
- cassette in two parts
- semi-circular front profile with integrated gutter

### Folding arms

- profiles in extruded aluminium, in façade quality, powder coated
- moving parts made of drop-forged aluminium – the arms are therefore extremely fracture resistant
- pivot bolts in stainless steel run in Teflon-coated bronze bushes – practically maintenance free, virtually silent and extremely hard-wearing
- power transference via corrosion-protected twin steel-link chains at the elbow joint, optionally with innovative bionic tendon made of high tensile, high-tech fibre – low in friction, noiseless, insensitive to corrosion and UV resistant

### Side caps

- the cassette insert sections are made of high-quality plastic, powder coated or in a polished chrome finish
- the front profile end caps are made of high-quality plastic, powder coated, with drainage holes

### Fixture brackets

- face fixture, top fixture, eaves fixture
- extruded aluminium, powder coated
- available in intermediate widths made to order (on request)
- pitch range 5°–35° (face fixture) or 5°–70° (top or eaves fixture), infinitely variable
- spacer plates, stand-off brackets and other accessories are available

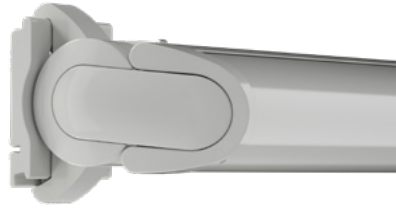
01 **Frame and end cap colours**

markilux frame colours without surcharge

02 traffic white RAL 9016

metallic aluminium RAL 9006

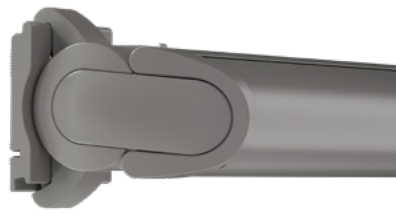
grey brown, similar to RAL 8019



06  
07 off-white textured finish, 5233 <sup>1)</sup>

stone grey metallic, 5215 <sup>1)</sup>

anthracite metallic, 5204 <sup>1)</sup>



**09**

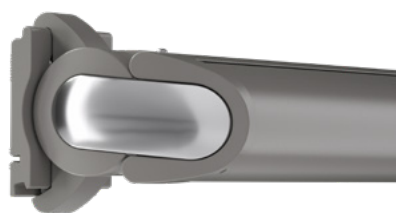
10  
11 Havana brown textured finish, 5229 <sup>1)</sup>



15  
16  
17 off-white textured finish, 5233 <sup>1)</sup>  
end cap insert in polished chrome

stone grey metallic, 5215 <sup>1)</sup>  
end cap insert in polished chrome

anthracite metallic, 5204 <sup>1)</sup>  
end cap insert in polished chrome



Combination options – possible in any frame colour.

**Non-standard powder-coated finish**

Bespoke frame colours at a surcharge – matt, metallic and pearl finishes as well as other colour ranges (DB, Tiger etc.) on request. All frame colours are available at a surcharge with enhanced corrosion protection.

**1)** textured finish

Colours may differ slightly from those depicted in both hue and finish.

# Dimensions and configuration options


Single unit

		Overall awning width						Minimum width	
		250	300	350	400	450	500	Motor	Crank handle
<b>Order dimensions</b>		179	251	301	351	401	451		
		250	300	350	400	450	500		
<b>H</b>	150	1)						179	179
	200	1)						229	229
	250	—	1)					279	279
	300	—	—	1)				329	329

dimensions in cm

1) = please note the minimum widths!

H = nominal projection

 = 2 standard arms, 2 fixture brackets

Operation	standard	optional
crank handle	✓	—
spring-assisted crank handle	—	✓
hard-wired motor	—	✓
silentec motor (optionally with an external io / RTS receiver) 1)	—	—
radio-controlled motor io, 868 MHz	—	✓
radio-controlled motor RTS, 433 MHz	—	✓
radio-controlled motor RTS, 433 MHz with manual override 1)	—	✓

1) for awnings with a maximum of 2 arms

Coupled Awning
not available

Awning cover	fabric range no.	standard	optional
sunvas	301.. / 309..-315..	✓	—
perla	370 ..	—	✓
sunsilk	324.. / 325.. / 328.. / 369..	✓	—
perla FR	374.. / 375..	—	✓
perfortex	331.. / 332..	—	—
transolair	338..	—	—
vuscreen Alu	317..	—	—
Soltis Perform 92	92-20..	—	—
glass fibre screen	272..	—	—
valance, height 20 cm		—	✓

Shadeplus / drop valance
not available

**Optional accessories**

folding-arm technology with bionic tendon
valance
wall sealing profile
infrared heater 2500 W
infrared heater 2500 W with integrated radio-controlled receiver 868 MHz io
LED spotline – light bar 110 × 70 mm with 5 W LED spotlights, width 180 cm / 3 spots or 300 cm / 5 spots
LED spotline io – light bar 110 × 70 mm with 5 W LED spotlights with integrated dimmable radio-controlled receiver, width 180 cm / 3 spots or 300 cm / 5 spots
Halogen spotline – light bar 89 mm × 40 mm with 20 W halogen spotlights, 200 cm / 3 spots or 300 cm / 5 spots
automatic controls (light, wind, rain)

**N.B!** Important background information can be found in the chapter “Optional Accessories”.

**Fixture options**

face fixture bracket 150 mm	71624.
face fixture bracket 300 mm L	70617.
face fixture bracket 300 mm R	70600.
spreader plate A 430 × 160 × 12 mm	75326.
spreader plate B 300 × 400 × 12 mm	75325.
stand-off bracket 80–300 mm	77968.
top fixture bracket 150 mm	71625.
eaves fixture bracket 90 mm, 150 mm plate	71612.
eaves fixture bracket 90 mm, 270 mm plate	71659.
flat plate and angled bracket for eaves fixture, machine finish, 500 mm plate	716620
spreader plate 260 × 60 × 12 mm for eaves fixture bracket	75383.

**09****No. of brackets | No. of fixing points**

		Overall awning width					
		250	300	350	400	450	500
<b>Order dimensions</b>		180	251	301	351	401	451
		250	300	350	400	450	500
<b>BHT</b>		<b>No. of brackets   No. of fixing points</b>					
<b>W</b>	<b>15</b>	2   6					
<b>BP</b>		A 2   16    B 2   8					
<b>DA / DE <sup>1)</sup></b>	<b>15</b>	2   8					

If the brackets cannot be positioned in accordance with this table, make sure the actual dimensions are noted on the order form!

1) = for information regarding other fixture options, please refer to the section “Pull-out forces” in the online Mediathek at markiluxpro.com

**A** = arm position

**BHT** = bracket width

**BP** = spreader plate (A or B)

**DA** = eaves fixture brackets

**DE** = top fixture brackets

**H** = *order dimension* = projection

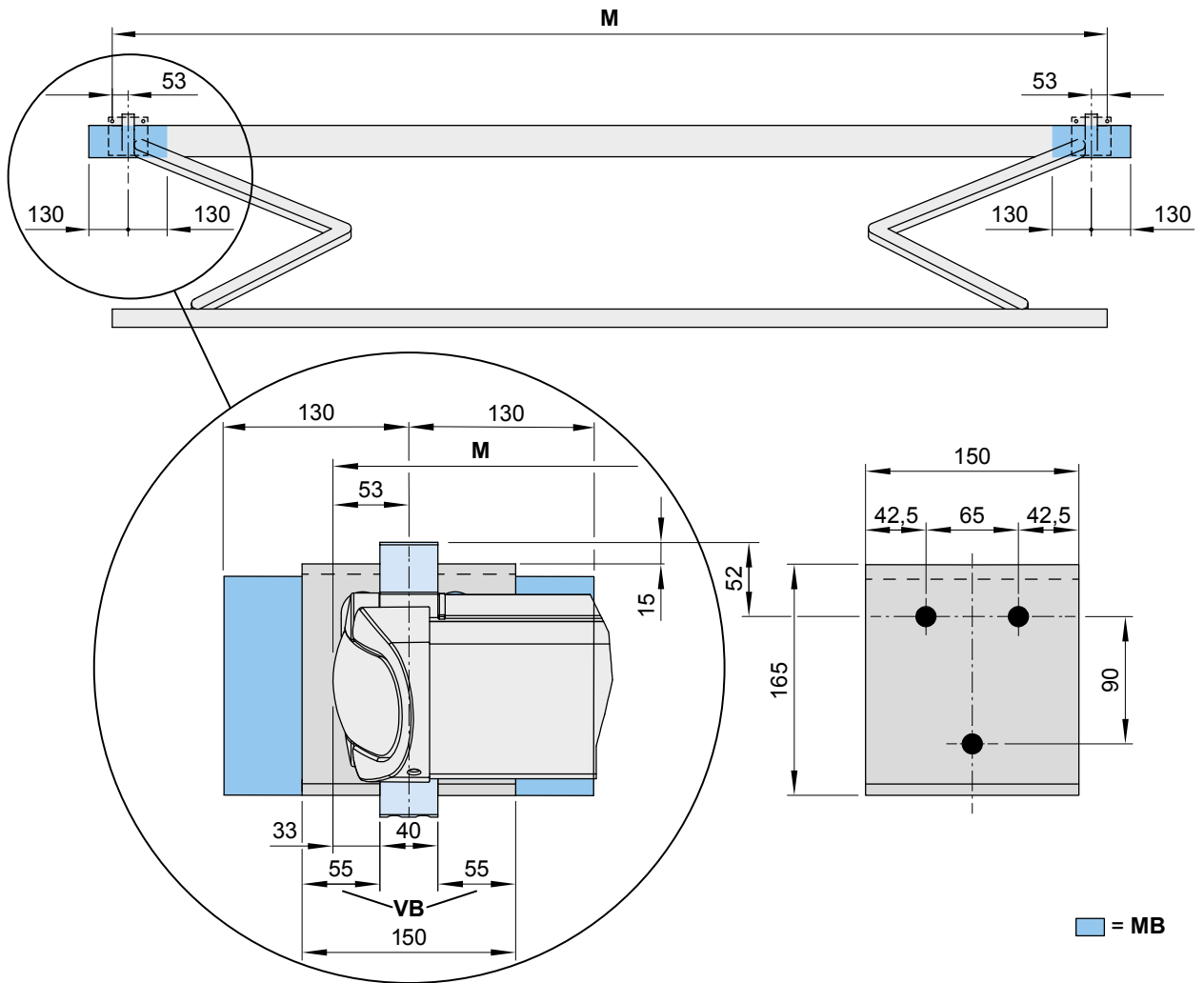
**M** = *order dimension* = awning width

**W** = face fixture brackets

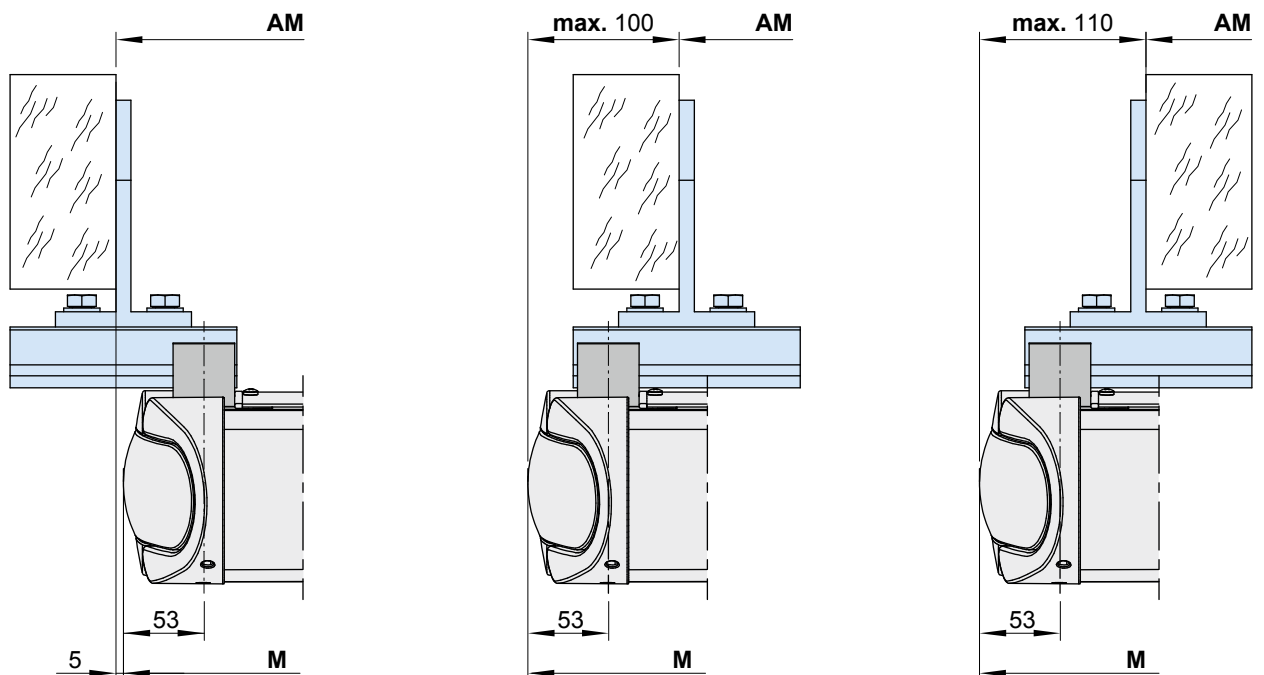
dimensions in cm

# Bracket fixture range

Face fixture (top fixture)



Eaves fixture



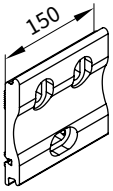
**M** = order dimension = awning width  
**MB** = bracket fixture range

**VB** = adjustment range face fixture bracket  
**X** = installation dimensions  
 dimensions in mm

01  
02  
03  
04  
05  
06  
07  
08  
**09**  
10  
11  
12  
13  
14  
15  
16  
17

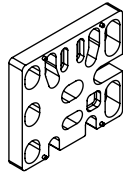
# Face fixture

## Fixtures, fittings and accessories



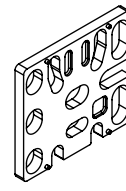
face fixture bracket  
150 mm

**71624.**



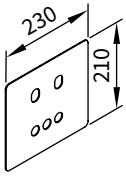
spacer plate for face fixture  
150 × 136 × 20 mm  
**N.B!** stack to a max.  
height of 200 mm

**716331**



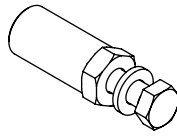
spacer plate for face fixture  
150 × 136 × 12 mm

**71644.**



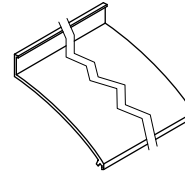
cover plate  
for spacer plate  
and stand-off brackets  
in the case of external  
insulation  
230 × 210 × 2 mm

**71843.**



reduction  
pack 10 pcs

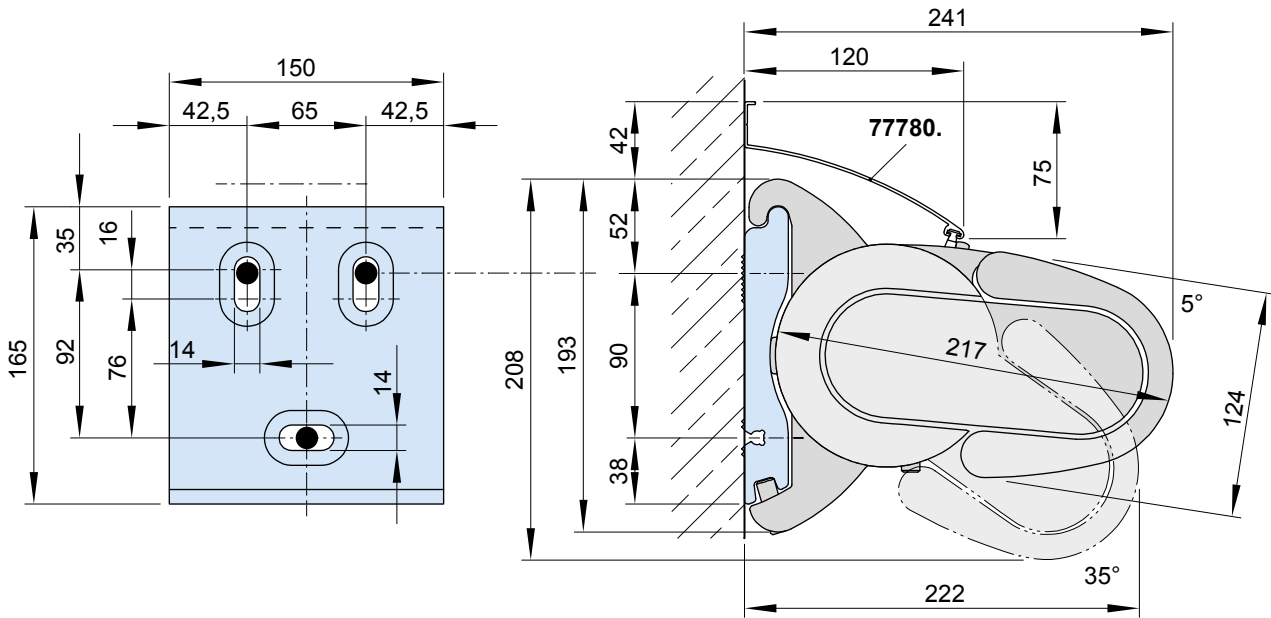
M 16 → M 12 | M 16 → M 10 | M 12 → M 10 | M 10 → M 10



wall sealing profile  
available by the metre

**77780.**

**09**

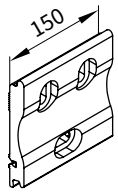


**77780.** = wall sealing profile for use up to a pitch of 35°.

dimensions in mm

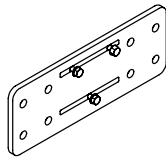
## Face fixture with spreader plate A

Fixtures, fittings and accessories



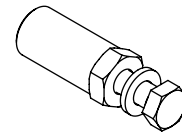
face fixture bracket  
150 mm

**71624.**



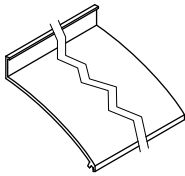
spreader plate A  
430 × 160 × 12 mm

**75326.**



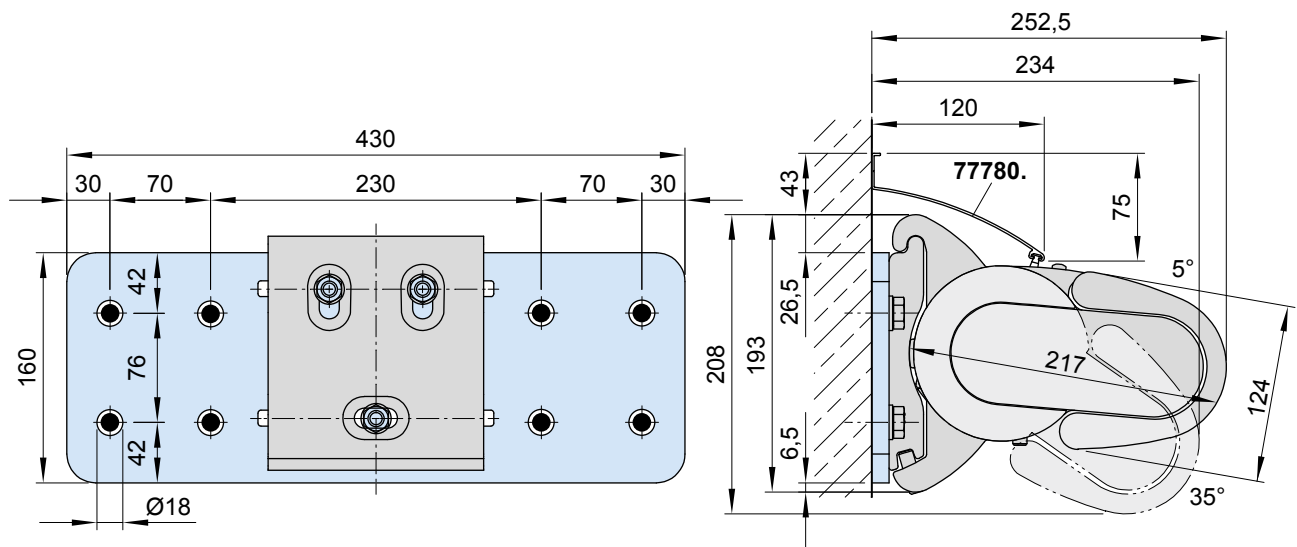
reduction  
pack 10 pcs

M 16 → M 12 | M 16 → M 10 | M 12 → M 10 | M 10 → M 10



wall sealing profile  
available by the metre

**77780.**

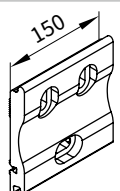


**77780.** = wall sealing profile for use up to a pitch of 35°.

dimensions in mm

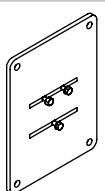
01 **Face fixture with spreader plate B**

02 Fixtures, fittings and accessories

03  face fixture bracket  
150 mm

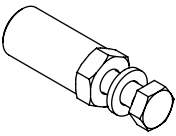
04

05 **71624.**

06  spreader plate B  
300 × 400 × 12 mm

07

08 **75325.**

09  reduction  
pack 10 pcs

M 16 → M 12 | M 16 → M 10 | M 12 → M 10 | M 10 → M 10

10  wall sealing profile  
available by the metre

11

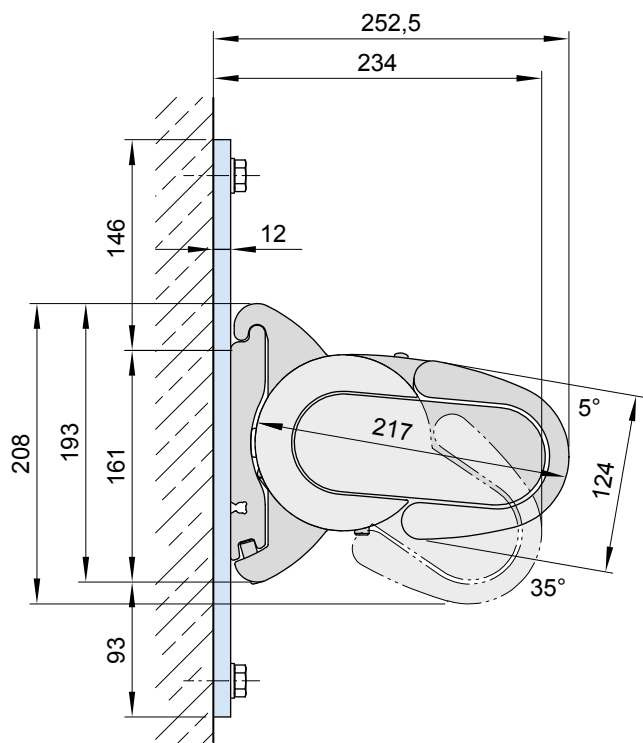
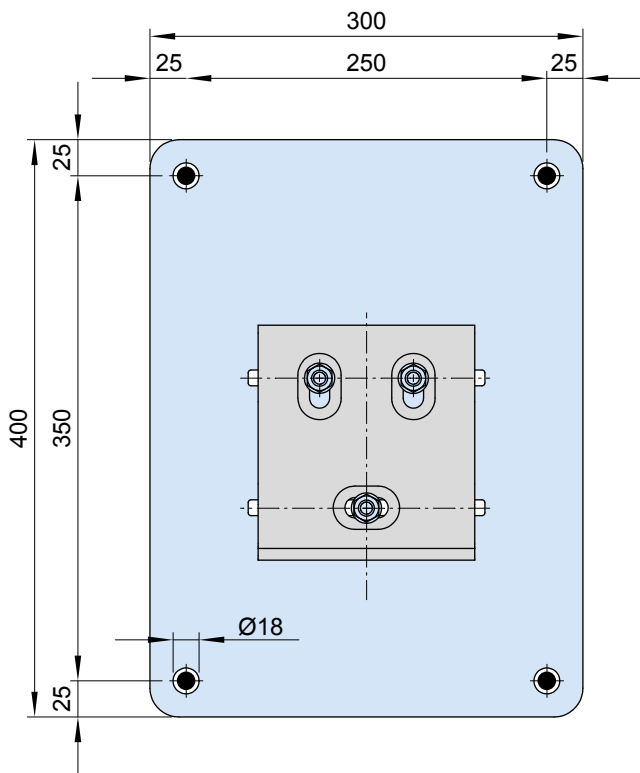
12

13

14

15 **77780.**

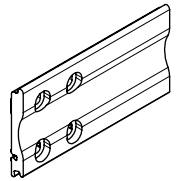
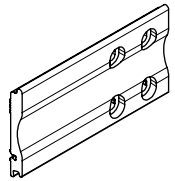
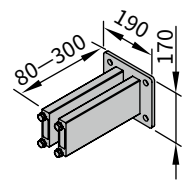
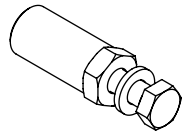
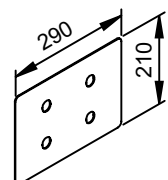
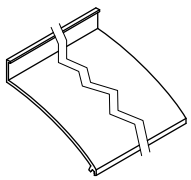
**09**

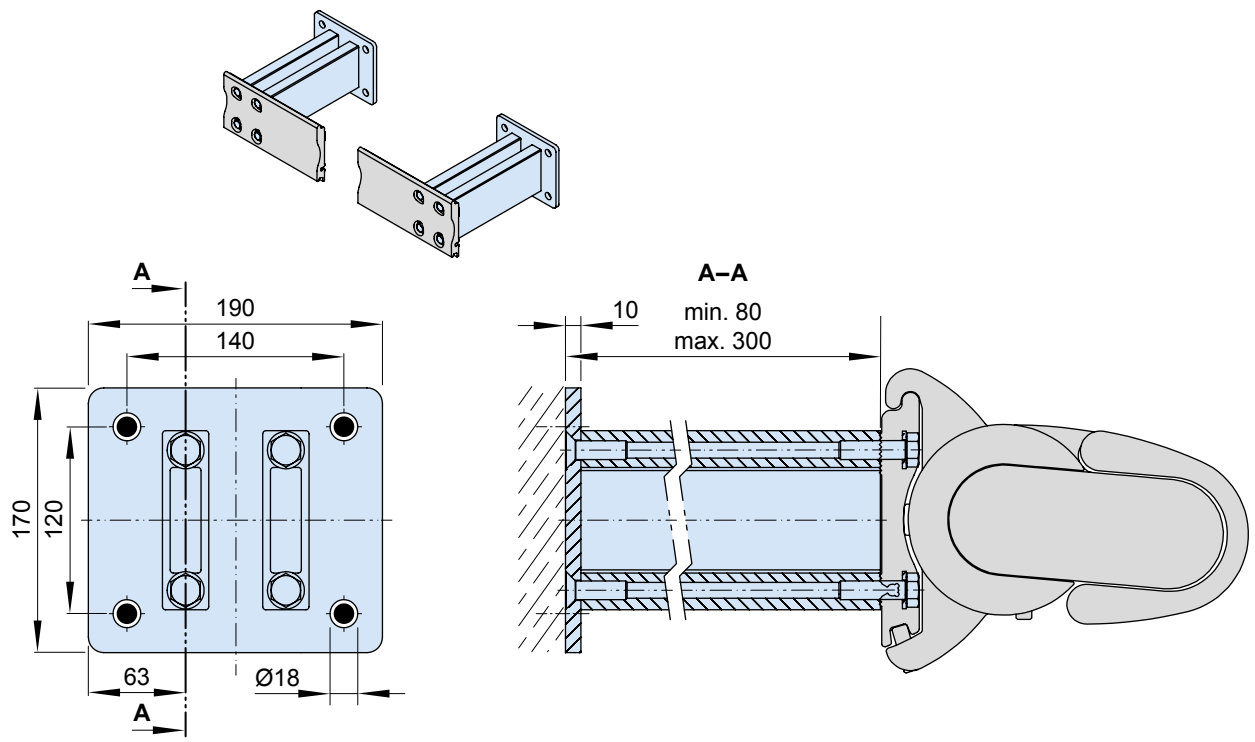


dimensions in mm

# Face fixture with spacer bracket

Fixtures, fittings and accessories

 <p>face fixture bracket left 300 mm</p> <p><b>70617.</b></p>	 <p>face fixture bracket right 300 mm</p> <p><b>70600.</b></p>	 <p>stand-off bracket for face-fixture bracket 70617. and 70600.</p> <p><b>77968.</b></p>
 <p>reduction pack 10 pcs</p> <p>M 16 → M 12   M 16 → M 10   M 12 → M 10   M 10 → M 10</p>	 <p>cover plate for spacer plate and stand-off brackets in the case of external insulation</p> <p>290 × 210 × 2 mm</p> <p><b>71841.</b></p>	 <p>wall sealing profile available by the metre</p> <p><b>77780.</b></p>

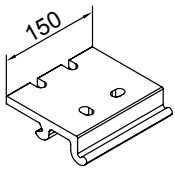


dimensions in mm

01  
02  
03  
04  
05  
06  
07  
08  
**09**  
10  
11  
12  
13  
14  
15  
16  
17

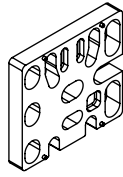
01 **Top fixture**

02 Fixtures, fittings and accessories



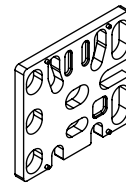
top fixture brackets  
150 mm

71625.



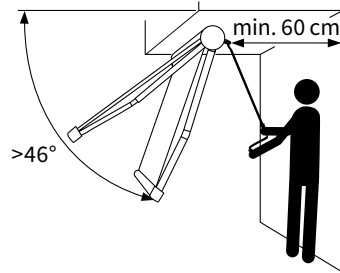
spacer plate for top fixture  
150 × 136 × 20 mm  
**N.B!** stack to a max.  
height of 200 mm

716331



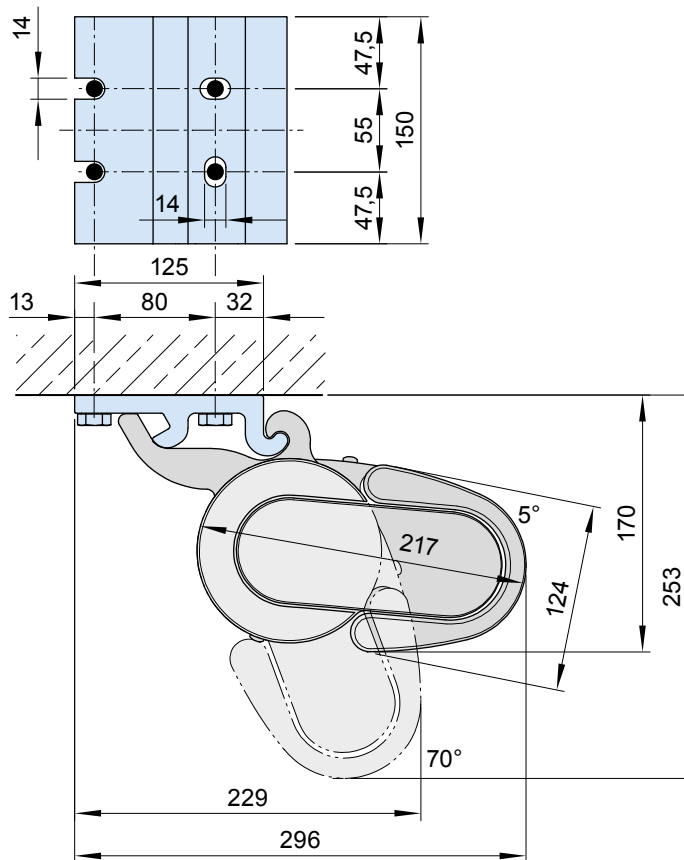
spacer plate for top fixture  
150 × 136 × 12 mm

71644.



At a pitch of more than 46° to the horizontal there must be an area accessible behind the awning at least 60 cm deep to allow operation of an RTS motor with manual override.

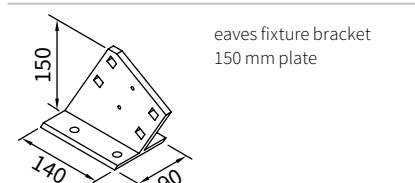
09



dimensions in mm

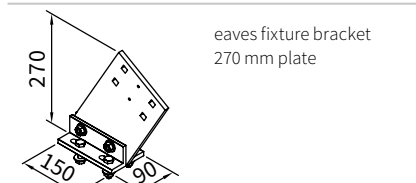
# Eaves fixture

## Fixtures, fittings and accessories



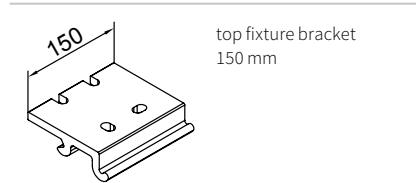
eaves fixture bracket  
150 mm plate

**71612.**



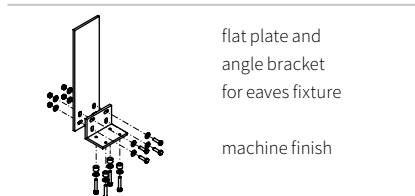
eaves fixture bracket  
270 mm plate

**71659.**



top fixture bracket  
150 mm

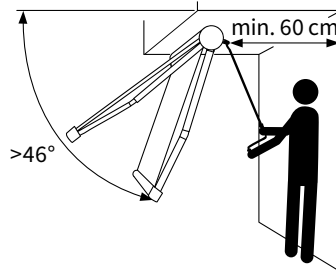
**71625.**



flat plate and  
angle bracket  
for eaves fixture

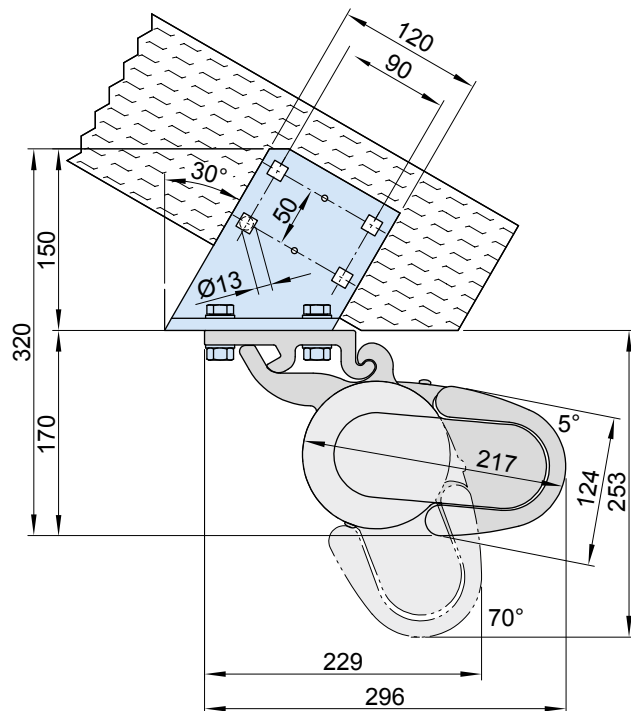
machine finish

**716620**

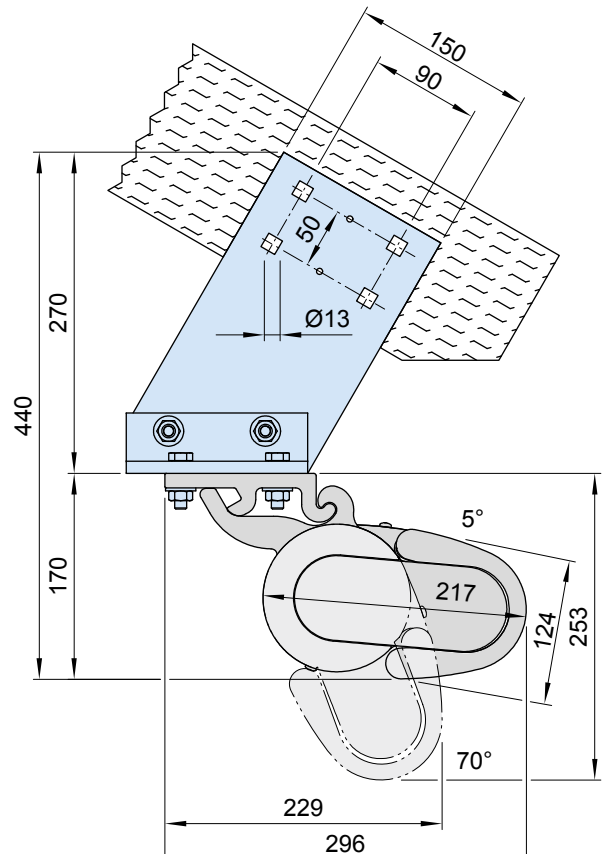


At a pitch of more than  $46^\circ$  to the horizontal there must be an area accessible behind the awning at least 60 cm deep to allow operation of an RTS motor with manual override.

With eaves fixture bracket 150 mm (71612.)



With eaves fixture bracket 270 mm (71659.)

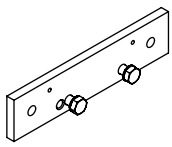


dimensions in mm

01  
02  
03  
04  
05  
06  
07  
08  
**09**  
10  
11  
12  
13  
14  
15  
16  
17

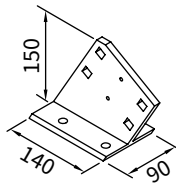
# Eaves fixture with additional plate

## Fixtures, fittings and accessories



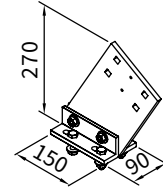
supplementary flat plate eaves fixture  
260 × 60 × 12 mm

75383.



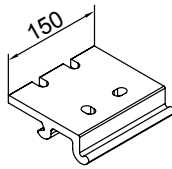
eaves fixture bracket  
150 mm plate

71612.



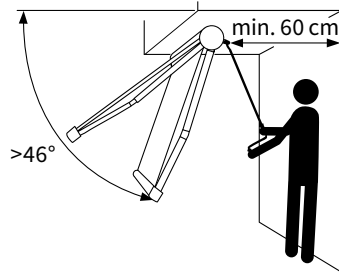
eaves fixture bracket  
270 mm plate

71659.



top fixture bracket  
150 mm

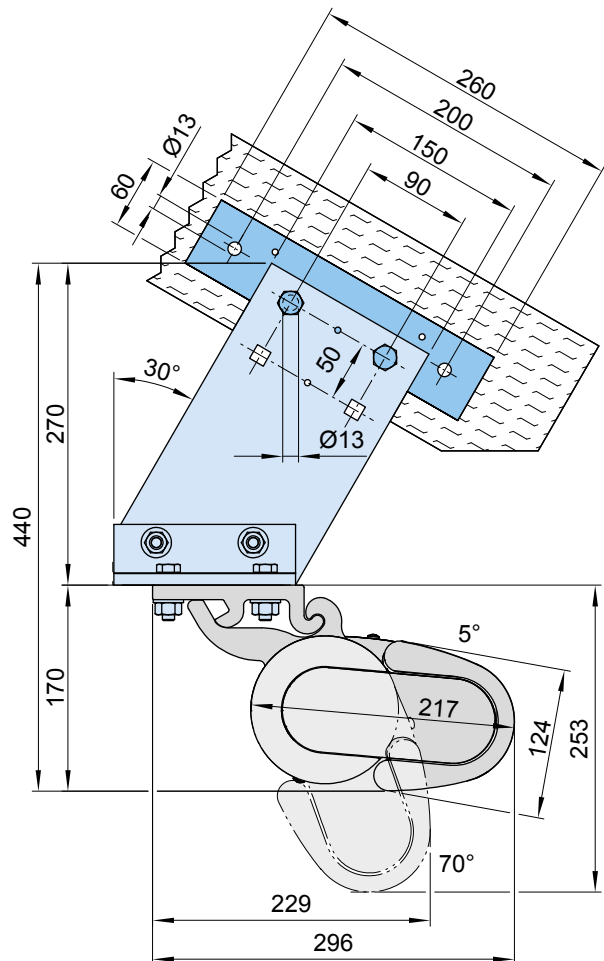
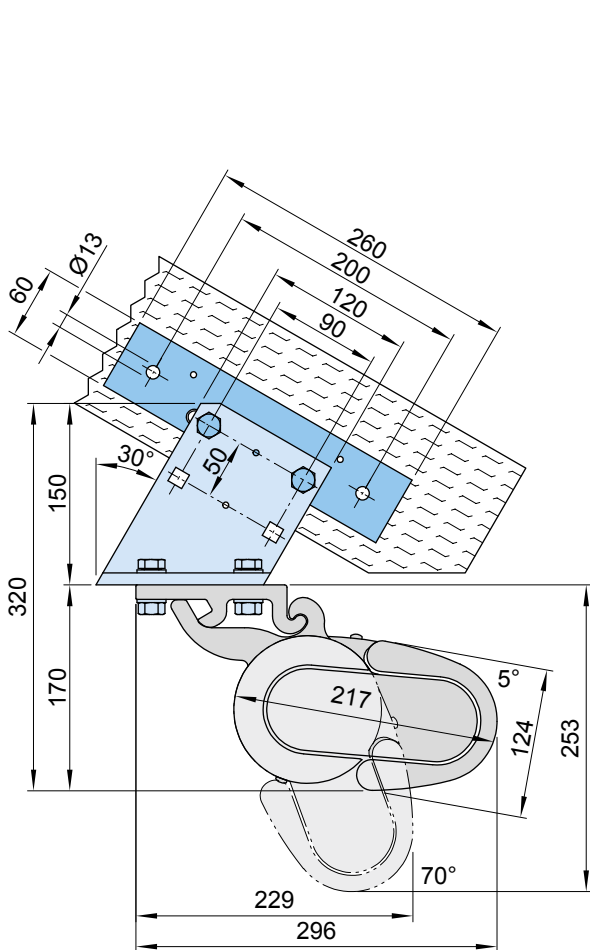
71625.



At a pitch of more than 46° to the horizontal there must be an area accessible behind the awning at least 60 cm deep to allow operation of an RTS motor with manual override.

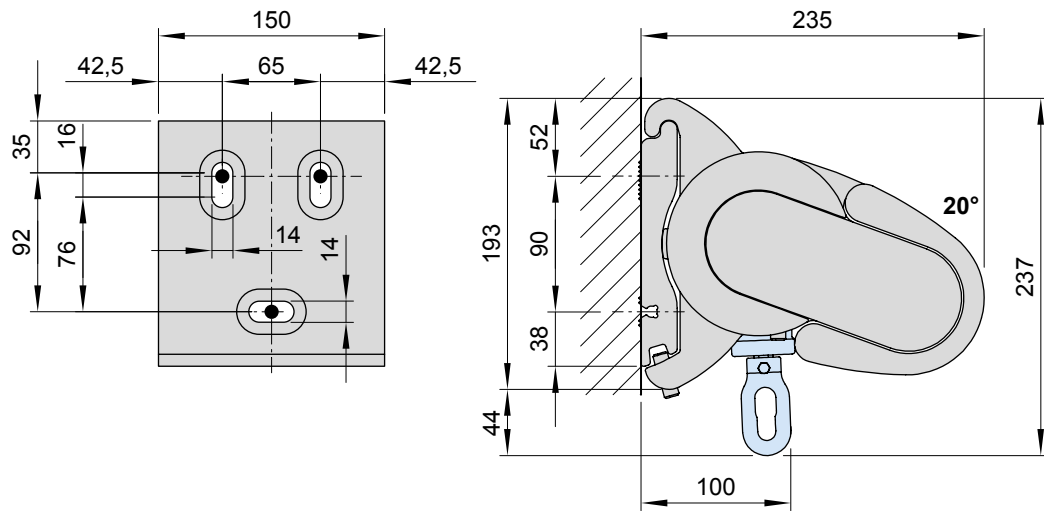
With eaves fixture bracket, 150 mm plate (71612.)

With eaves fixture bracket, 270 mm plate (71659.)



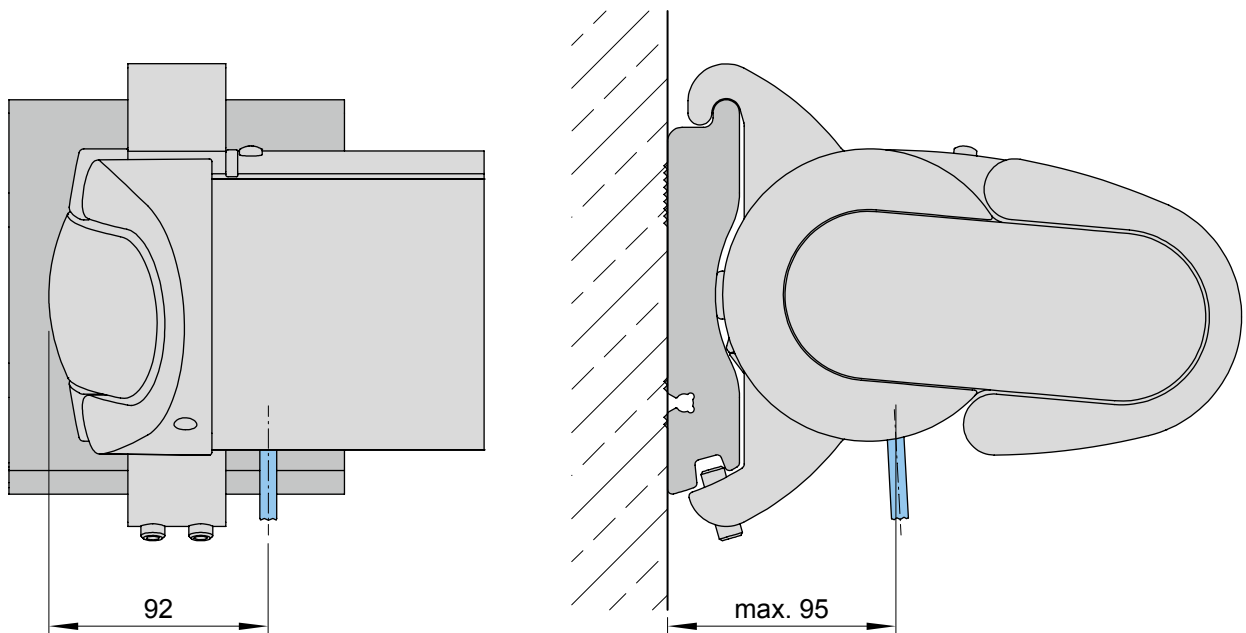
dimensions in mm

### Face fixture, manual operation



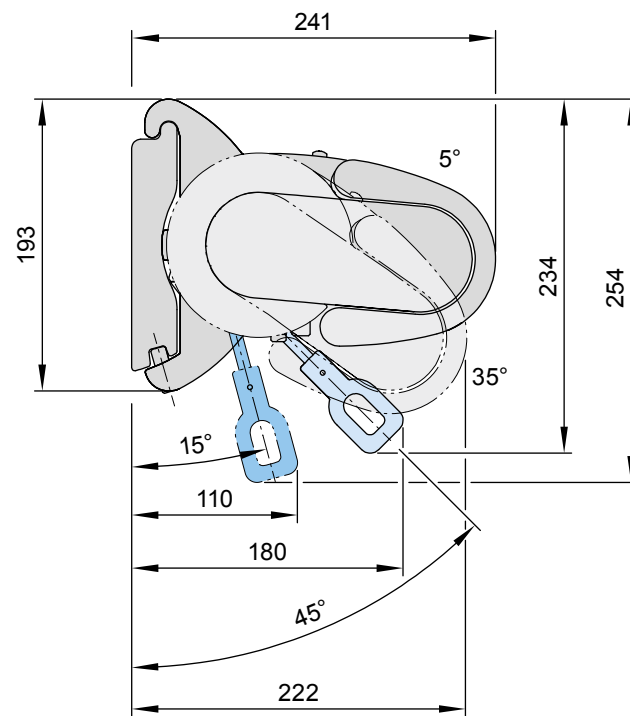
- 01
- 02
- 03
- 04
- 05
- 06
- 07
- 08
- 09**
- 10
- 11
- 12
- 13
- 14
- 15
- 16
- 17

### Motor cable exit point



dimensions in mm

## 01 Face fixture, radio-controlled motor with manual override



09

dimensions in mm