



markilux 990

The most compact markilux with folding arms – svelte, attractive and functional.

markilux by Aquarius Blinds

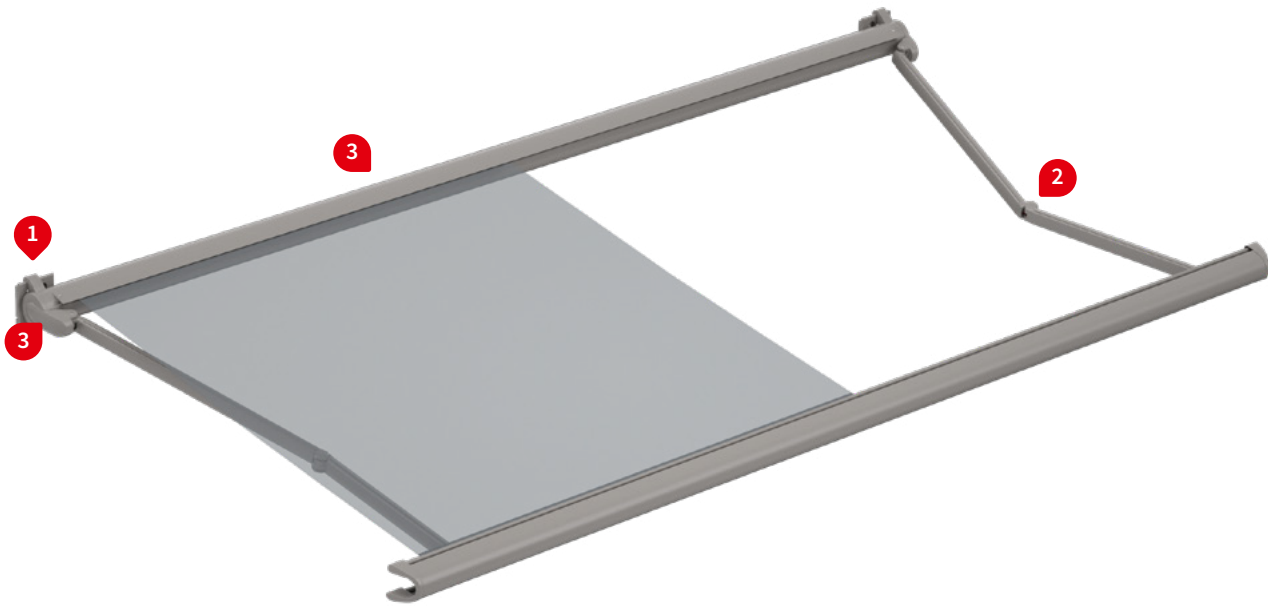
www.aqblinds.co.uk - 0800 953 0199

markilux
safe timeless beautiful

01
02
03
04
05
06
07
08
09
10
11
12
13
14
15
16
17

Product characteristics

Wind resistance class 2
Beaufort 5 → 7.5–10.4 m/s → 28–37 km/h → 17–23 mph



1 face fixture



1 face fixture, maximum pitch of 35°



1 top fixture



1 top fixture, view from the rear



2 twin steel-link chain, corrosion protected



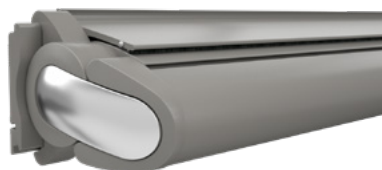
2 bionic tendon made of high-tech fibres for optimum power transference ¹⁾



1) during extension



3 wall sealing profile ¹⁾, cassette end cap in polished chrome



1) optional accessory

Product characteristics

Description

- the perfectly designed compact cassette awning. The outstanding “lightweight” for balcony and patio

Special features

- self-supporting cassette profile construction, the brackets being installed at each end of the awning – also suitable for bridging larger distances
- cassette with arms situated in front and at each end, which – when the awning is closed – are encompassed fully by the front profile and which lends an harmonious overall appearance to the awning
- even when the awning is fully extended, the roller tube is completely protected

Dimensions

- cassette in the standard version: depth 217 mm, height 124 mm
- single unit: minimum width 179 cm at the smallest projection of 150 cm, maximum width 500 cm at the largest projection of 300 cm

Roller tube and lateral arm bearers

- round roller tube Ø 85 mm with keyway, galvanised steel – excellent stability, ensures near perfect cover performance even at the largest widths
- the arm bearer is made of die-cast aluminium, powder coated, with integrated, infinitely variable pitch setting mechanism

Awning profiles

- extruded aluminium, in façade quality, powder coated
- cassette in two parts
- semi-circular front profile with integrated gutter

Folding arms

- profiles in extruded aluminium, in façade quality, powder coated
- moving parts made of drop-forged aluminium – the arms are therefore extremely fracture resistant
- pivot bolts in stainless steel run in Teflon-coated bronze bushes – practically maintenance free, virtually silent and extremely hard-wearing
- power transference via corrosion-protected twin steel-link chains at the elbow joint, optionally with innovative bionic tendon made of high tensile, high-tech fibre – low in friction, noiseless, insensitive to corrosion and UV resistant

Side caps

- the cassette insert sections are made of high-quality plastic, powder coated or in a polished chrome finish
- the front profile end caps are made of high-quality plastic, powder coated, with drainage holes

Fixture brackets

- face fixture, top fixture, eaves fixture
- extruded aluminium, powder coated
- available in intermediate widths made to order (on request)
- pitch range 5°–35° (face fixture) or 5°–70° (top or eaves fixture), infinitely variable
- spacer plates, stand-off brackets and other accessories are available

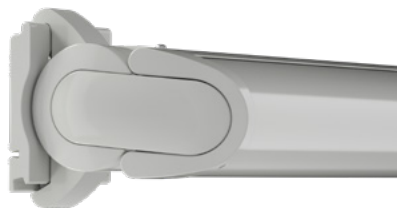
01 **Frame and end cap colours**

markilux frame colours without surcharge

02 traffic white RAL 9016

metallic aluminium RAL 9006

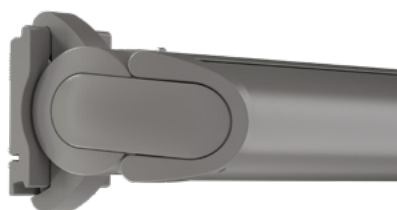
grey brown, similar to RAL 8019



06
07 off-white textured finish, 5233 ¹⁾

stone grey metallic, 5215 ¹⁾

anthracite metallic, 5204 ¹⁾



09

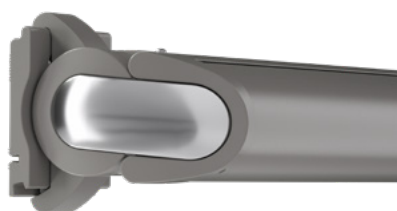
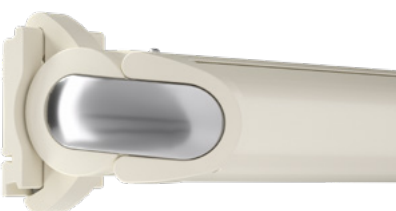
10
11 Havana brown textured finish, 5229 ¹⁾



16
17 off-white textured finish, 5233 ¹⁾
end cap insert in polished chrome

stone grey metallic, 5215 ¹⁾
end cap insert in polished chrome

anthracite metallic, 5204 ¹⁾
end cap insert in polished chrome



Combination options – possible in any frame colour.

Non-standard powder-coated finish

Bespoke frame colours at a surcharge – matt, metallic and pearl finishes as well as other colour ranges (DB, Tiger etc.) on request. All frame colours are available at a surcharge with enhanced corrosion protection.

1) textured finish

Colours may differ slightly from those depicted in both hue and finish.

Dimensions and configuration options

Single unit

		Overall awning width						Minimum width	
		250	300	350	400	450	500	Motor	Crank handle
Order dimensions		179	251	301	351	401	451		
		250	300	350	400	450	500		
H	150	1)						179	179
	200	1)						229	229
	250	—	1)					279	279
	300	—	—	1)				329	329

dimensions in cm

1) = please note the minimum widths!

H = nominal projection

 = 2 standard arms, 2 fixture brackets

Operation

	standard	optional
crank handle	✓	—
spring-assisted crank handle	—	✓
hard-wired motor	—	✓
silentec motor (optionally with an external io / RTS receiver) ¹⁾	—	—
radio-controlled motor io, 868 MHz	—	✓
radio-controlled motor RTS, 433 MHz	—	✓
radio-controlled motor RTS, 433 MHz with manual override ¹⁾	—	✓

1) for awnings with a maximum of 2 arms

Coupled Awning

not available

Awning cover

	fabric range no.	standard	optional
sunvas	301.. / 309..-315..	✓	—
perla	370 ..	—	✓
sunsilk	324.. / 325.. / 328.. / 369..	✓	—
perla FR	374.. / 375..	—	✓
perfortex	331.. / 332..	—	—
transolair	338..	—	—
vuscreen Alu	317..	—	—
Soltis Perform 92	92-20..	—	—
glass fibre screen	272..	—	—
valance, height 20 cm		—	✓

Shadeplus / drop valance

not available

01
02
03
04
05
06
07
08

Optional accessories

folding-arm technology with bionic tendon
valance
wall sealing profile
infrared heater 2500 W
infrared heater 2500 W with integrated radio-controlled receiver 868 MHz io
LED spotlight – light bar 110 × 70 mm with 5 W LED spotlights, width 180 cm / 3 spots or 300 cm / 5 spots
LED spotlight io – light bar 110 × 70 mm with 5 W LED spotlights with integrated dimmable radio-controlled receiver, width 180 cm / 3 spots or 300 cm / 5 spots
automatic controls (light, wind, rain)

N.B! Important background information can be found in the chapter “Optional Accessories”.

Fixture options

face fixture bracket 150 mm	71624.
face fixture bracket 300 mm L	70617.
face fixture bracket 300 mm R	70600.
spreader plate A 430 × 160 × 12 mm	75326.
spreader plate B 300 × 400 × 12 mm	75325.
markilux panel 250 × 230 × 49 mm	76308.
markilux panel continuous	76380.
stand-off bracket 80–300 mm	77968.
top fixture bracket 150 mm	71625.
eaves fixture bracket 90 mm, 150 mm plate	71612.
eaves fixture bracket 90 mm, 270 mm plate	71659.
flat plate and angled bracket for eaves fixture, machine finish, 500 mm plate	716620
spreader plate 260 × 60 × 12 mm for eaves fixture bracket	75383.

09

10
11
12
13
14
15
16
17

No. of brackets | No. of fixing points

		Overall awning width					
		250	300	350	400	450	500
Order dimensions		180	251	301	351	401	451
		250	300	350	400	450	500
BHT		No. of brackets No. of fixing points					
W	15	2 6					
BP		A 2 16 B 2 8					
PA		2 8					
DA / DE	15	2 8					

If the brackets cannot be positioned in accordance with this table, make sure the actual dimensions are noted on the order form!

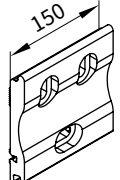
The **pull-out forces** necessary for determining the correct fixing materials necessary to meet wind resistance class 2 (Beaufort 5) can be found in the password-protected dealer area of the markilux.com website under “Pull-out Forces”.

- A** = arm position
- BHT** = bracket width
- BP** = spreader plate (A or B)
- DA** = eaves fixture brackets
- DE** = top fixture brackets
- H** = *order dimension* = projection
- M** = *order dimension* = awning width
- PA** = markilux panel, fixture profile, width 250 mm
- W** = face fixture brackets

dimensions in cm

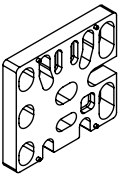
01 **Face fixture**

02 **Fixtures, fittings and accessories**

03  face fixture bracket
150 mm

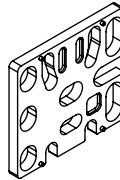
04

05 **71624.**

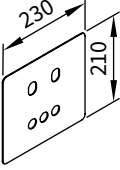
06  spacer plate for face fixture
150 x 136 x 20 mm

07 **N.B!** stack to a max.
height of 200 mm

08 **716331**

09  spacer plate for face fixture
150 x 136 x 12 mm

10 **71644.**

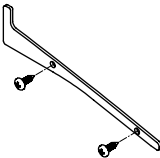
11  cover plate
for spacer plate
and stand-off brackets
in the case of external
insulation
230 x 210 x 2 mm

12 **71843.**

13  Wall sealing profile
incl. brush seal
when installing with a
coverboard

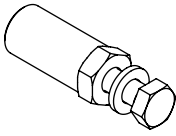
14 available by the metre

15 **76385. and 704241**

16  1 side plate including
2 pan-head self-tapping
screws for wall sealing
profile

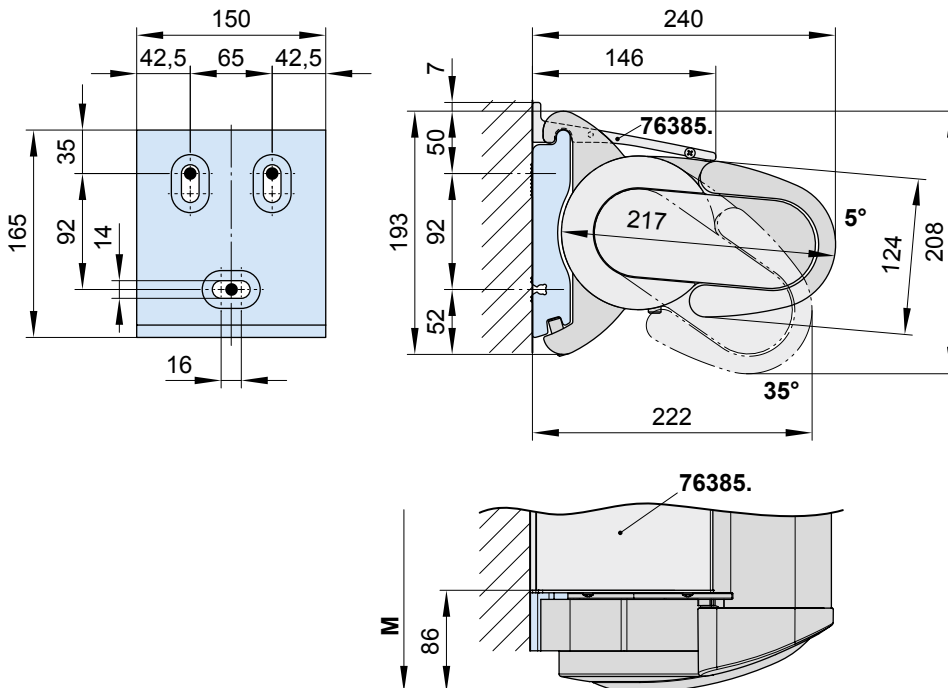
17 **76386. and 2 x 735611**

09

18  reduction
pack 10 pcs

19 M 16 → M 12 | M 16 → M 10 | M 12 → M 10 | M 10 → M 10

The **pull-out forces** necessary for determining the correct fixing materials necessary to meet wind resistance class 2 (Beaufort 5) can be found in the password-protected dealer area of the markilux.com website under "Pull-out Forces".

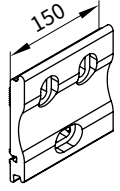


76385. = wall sealing profile (standard width = awning width (M) - 168 mm; up to a maximum awning pitch of 35°)

dimensions in mm

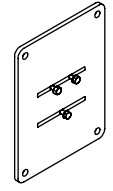
01 **Face fixture with spreader plate B**

02 Fixtures, fittings and accessories

03  face fixture bracket
150 mm

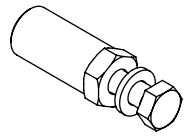
04

05 **71624.**

03  spreader plate B
300 x 400 x 12 mm

04

05 **75325.**

03  reduction
pack 10 pcs

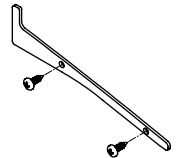
04

05 M 16 → M 12 | M 16 → M 10 | M 12 → M 10 | M 10 → M 10

06  Wall sealing profile
incl. brush seal
when installing with a
coverboard
available by the metre

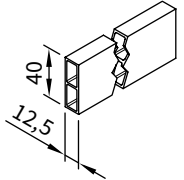
07

08 **76385. and 704241**

06  1 side plate including
2 pan-head self-tapping
screws for wall sealing
profile

07

08 **76386. and 2 x 735611**

06  stand-off strip for
wall sealing profile
available by the metre

07

08 **751971**

09

10

11

12

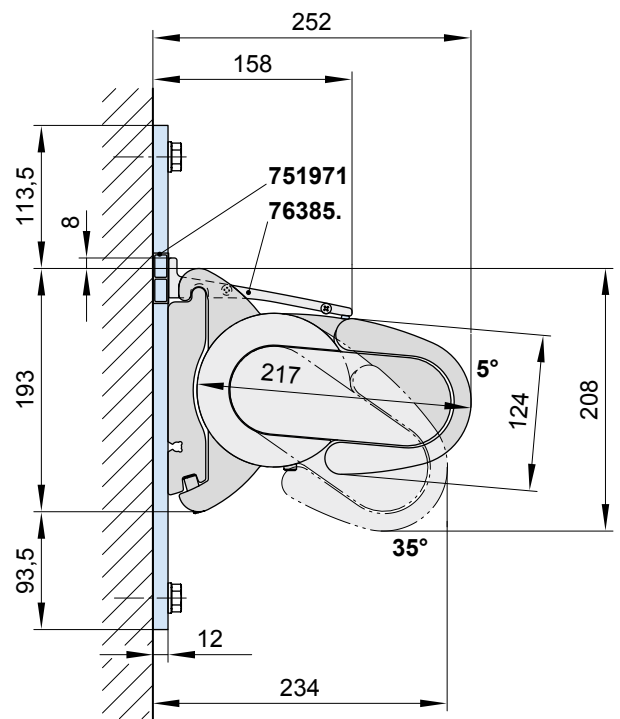
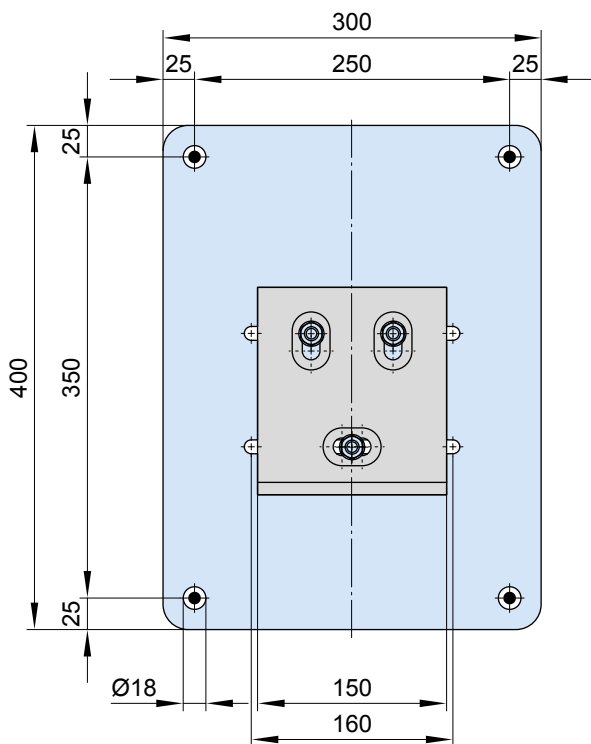
13

14

15

16

17



751971 = stand-off strip for wall sealing profil

76385. = wall sealing profile (standard width = awning width (M) - 168 mm;
up to a maximum awning pitch of 35°)

dimensions in mm

Face fixture with markilux panel 250 mm

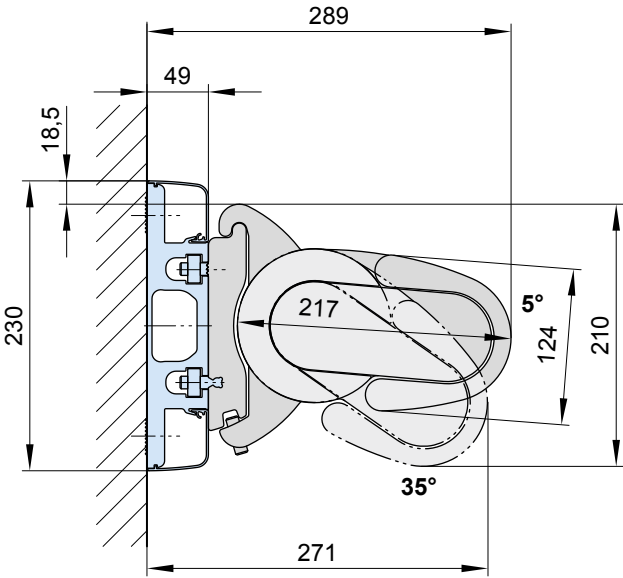
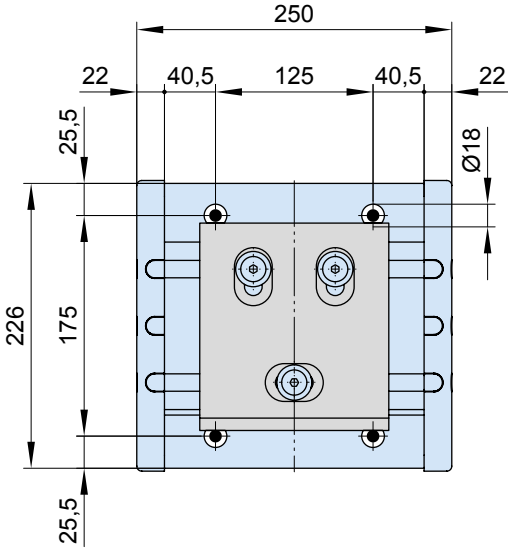
Fixtures, fittings and accessories

markilux panel fixture profile,
with decorative profiles and end caps
250 × 230 × 49 mm

76308.

face fixture bracket
150 mm

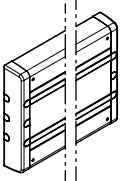
71624.

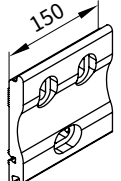


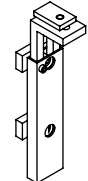
- 01
- 02
- 03
- 04
- 05
- 06
- 07
- 08
- 09**
- 10
- 11
- 12
- 13
- 14
- 15
- 16
- 17

01 **Face fixture with markilux panel continuous**

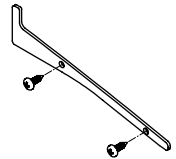
02 **Fixtures, fittings and accessories**

03  markilux panel
fixture profile,
with decorative profiles
and end caps
continuous
04
05 **76380.**

03  face fixture bracket
150 mm
04
05 **71624.**

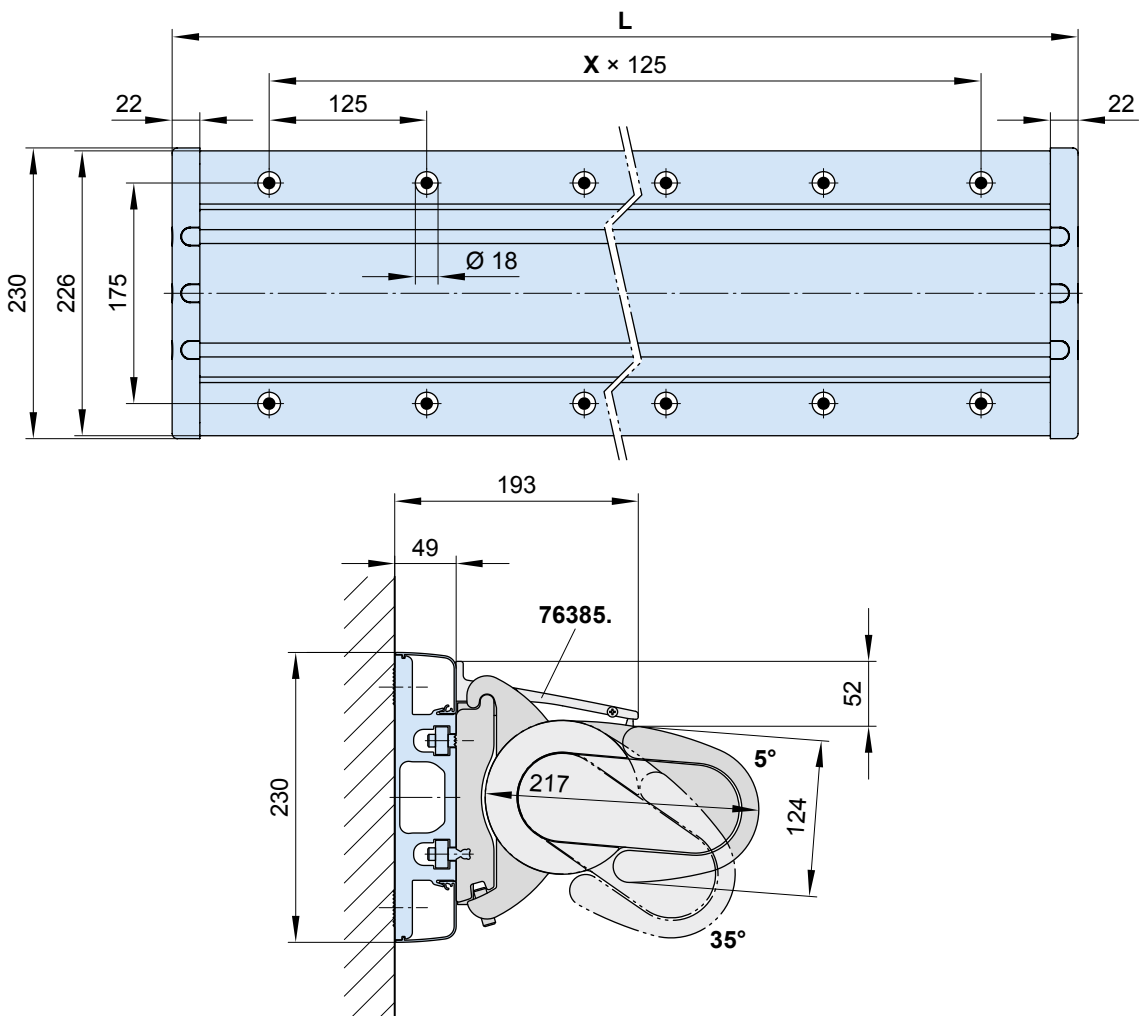
03  bracket
wall sealing profile
small
04
05 **76387.**

06  Wall sealing profile
incl. brush seal
when installing with a
coverboard
available by the metre
07
08 **76385. and 704241**

06  1 side plate including
2 pan-head self-tapping
screws for wall sealing
profile
07
08 **76386. and 2 x 735611**

09

10 As a **continuous fixture profile**, the markilux panel will always be supplied to order on the basis of a technical drawing prepared in
11 the factory in accordance with the awning specification.



76385. = wall sealing profile (standard width = **M** - 168 mm; up to a maximum awning pitch of 35°)

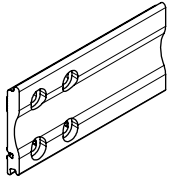
L = individual width max. 7000 mm, (standard **L** = **M** + 20 mm)

X = fixing point separation, **by way of example**

dimensions in mm

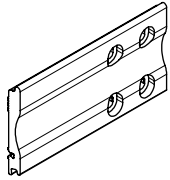
Face fixture with spacer bracket

Fixtures, fittings and accessories



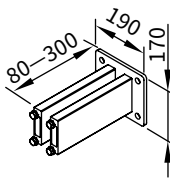
face fixture bracket left
300 mm

70617.



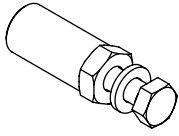
face fixture bracket right
300 mm

70600.



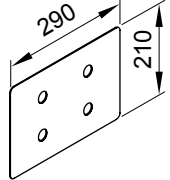
stand-off bracket
for face-fixture bracket
70617. and 70600.

77968.



reduction
pack 10 pcs

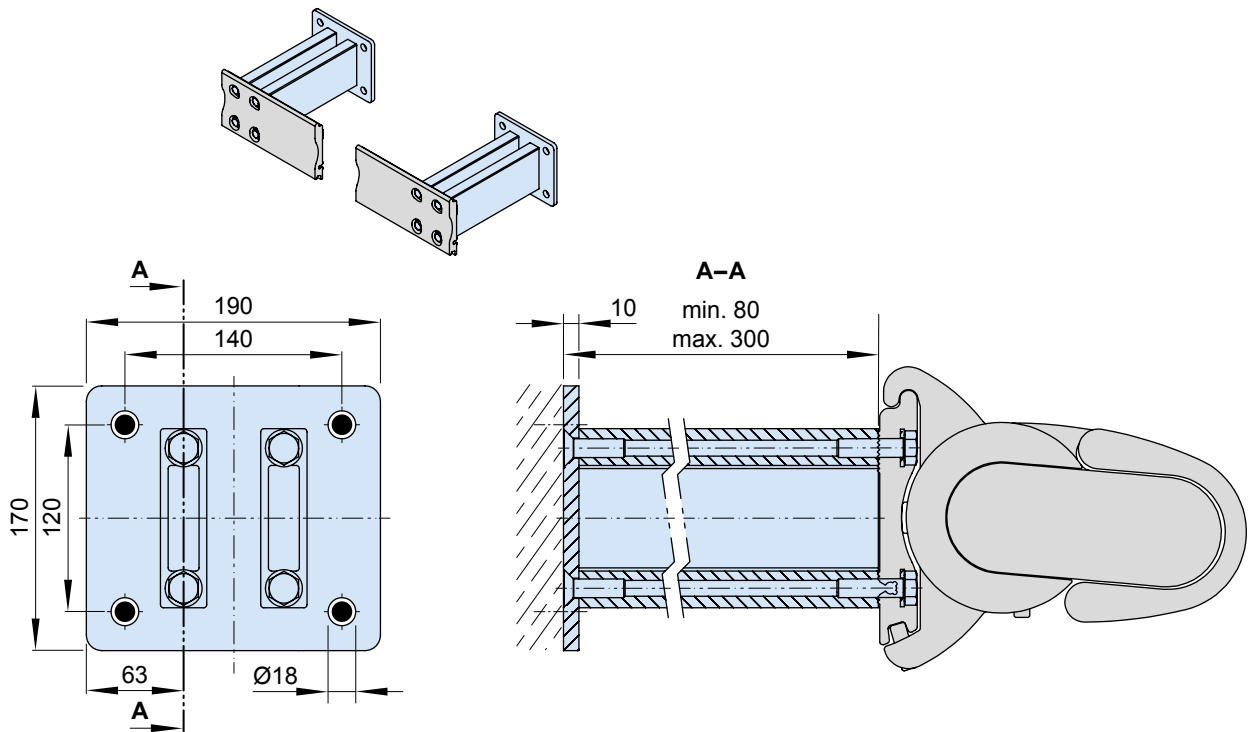
M 16 → M 12 | M 16 → M 10 | M 12 → M 10 | M 10 → M 10



cover plate
for spacer plate
and stand-off brackets
in the case of external
insulation

290 × 210 × 2 mm

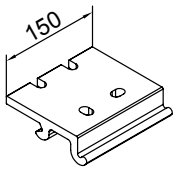
71841.



- 01
- 02
- 03
- 04
- 05
- 06
- 07
- 08
- 09**
- 10
- 11
- 12
- 13
- 14
- 15
- 16
- 17

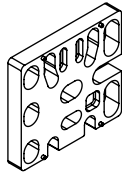
01 **Top fixture**

02 **Fixtures, fittings and accessories**



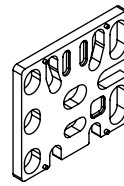
top fixture brackets
150 mm

05 **71625.**



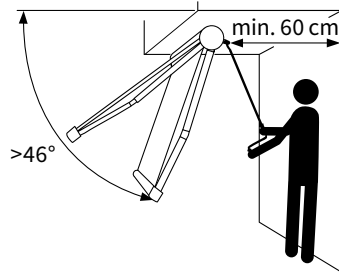
spacer plate for top fixture
150 × 136 × 20 mm
N.B! stack to a max.
height of 200 mm

716331



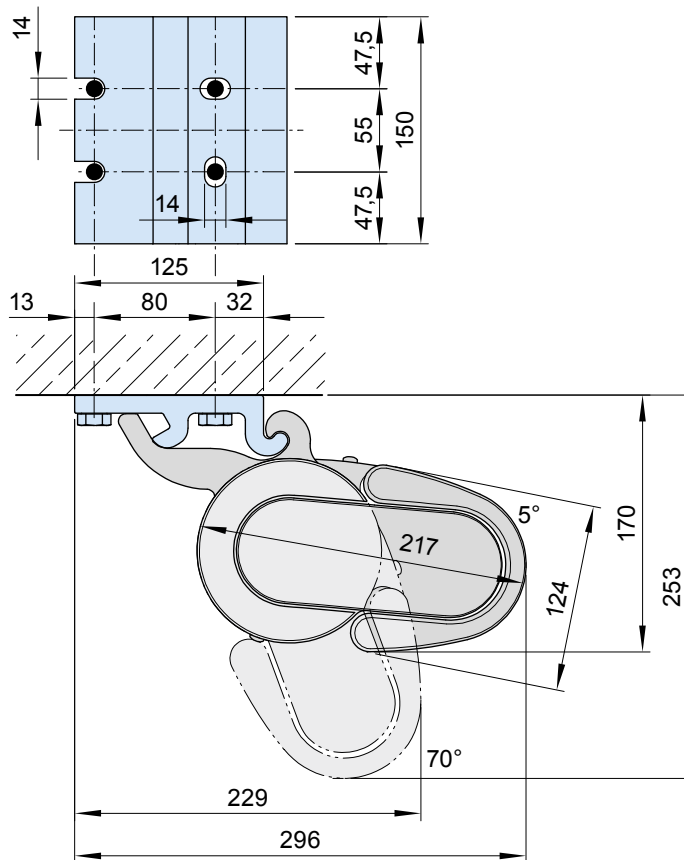
spacer plate for top fixture
150 × 136 × 12 mm

71644.



At a pitch of more than 46° to the horizontal there must be an area accessible behind the awning at least 60 cm deep to allow operation of an RTS motor with manual override.

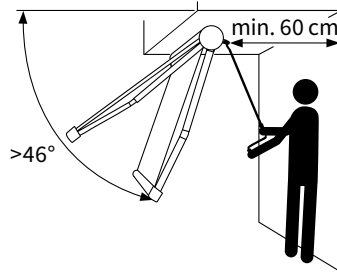
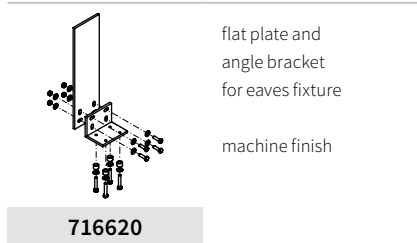
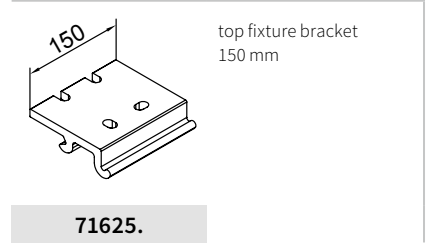
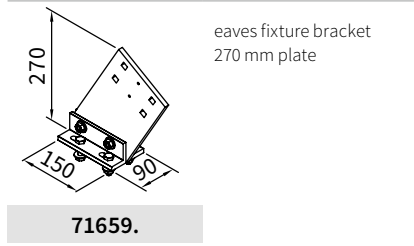
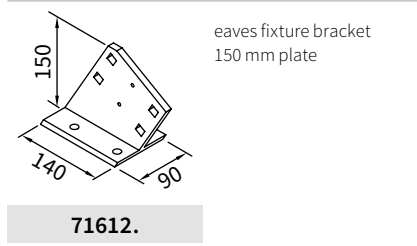
09



dimensions in mm

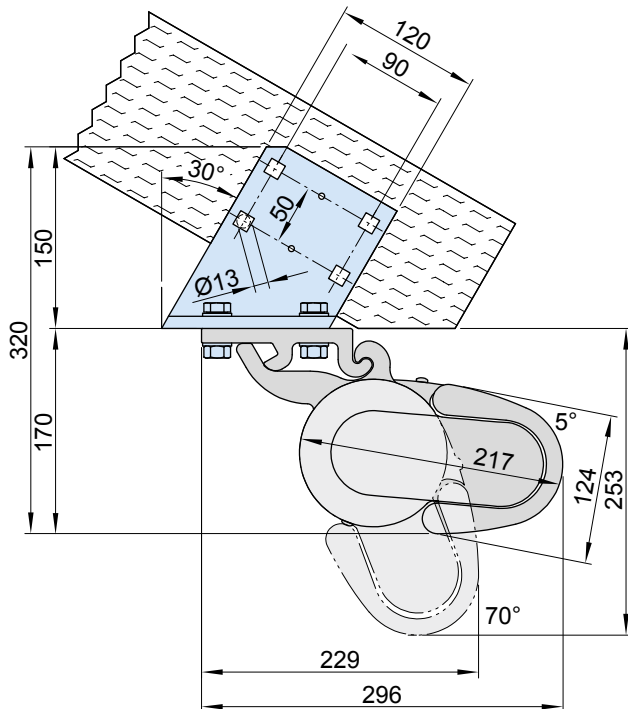
Eaves fixture

Fixtures, fittings and accessories

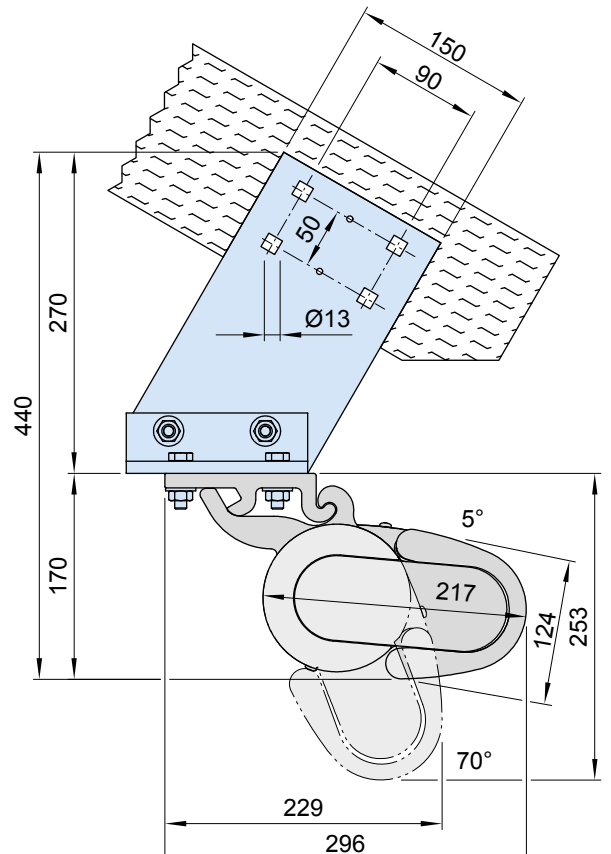


At a pitch of more than 46° to the horizontal there must be an area accessible behind the awning at least 60 cm deep to allow operation of an RTS motor with manual override.

With eaves fixture bracket 150 mm (71612.)



With eaves fixture bracket 270 mm (71659.)

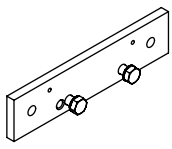


dimensions in mm

01
02
03
04
05
06
07
08
09

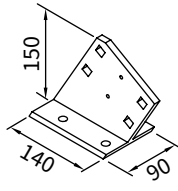
Eaves fixture with additional plate

Fixtures, fittings and accessories



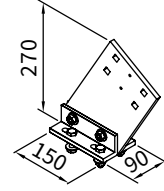
supplementary flat plate
eaves fixture
260 × 60 × 12 mm

75383.



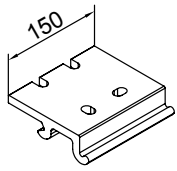
eaves fixture bracket
150 mm plate

71612.



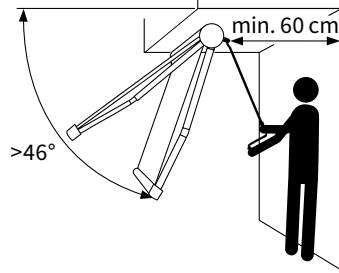
eaves fixture bracket
270 mm plate

71659.



top fixture bracket
150 mm

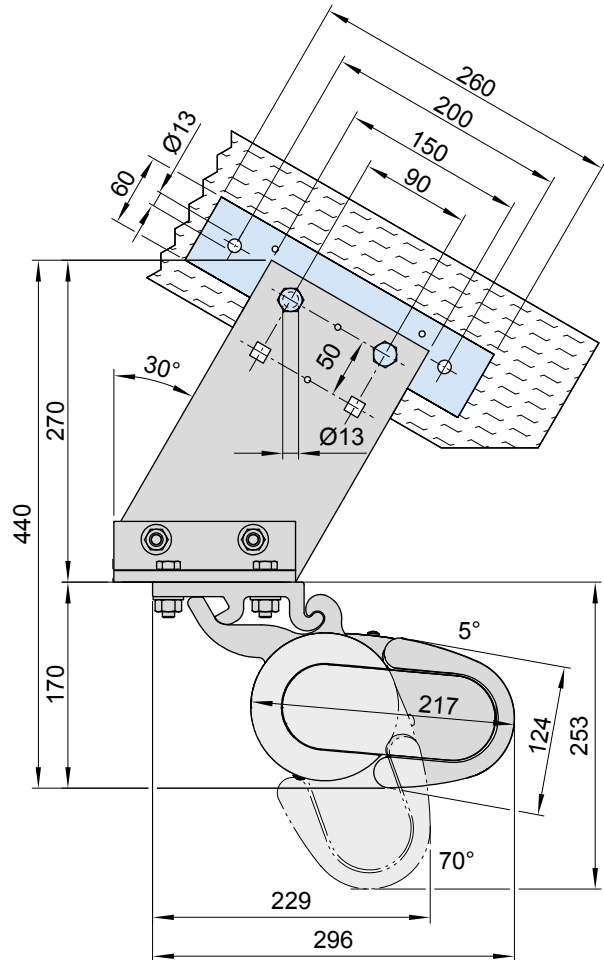
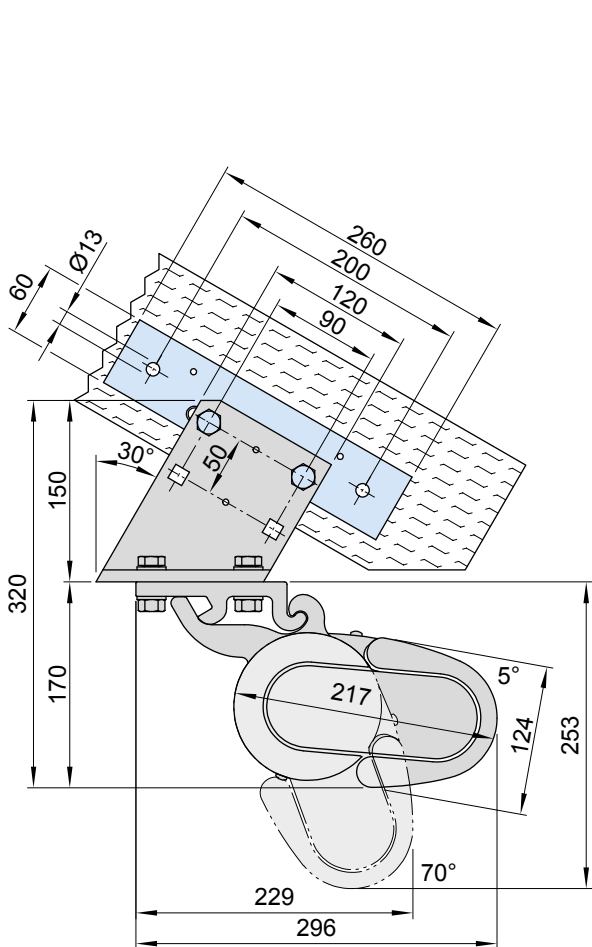
71625.



At a pitch of more than 46° to the horizontal there must be an area accessible behind the awning at least 60 cm deep to allow operation of an RTS motor with manual override.

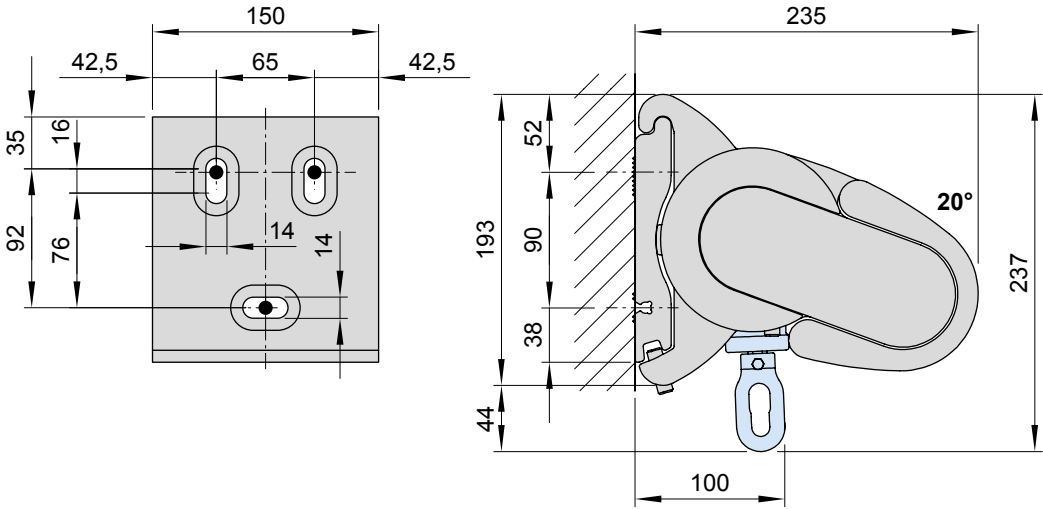
With eaves fixture bracket, 150 mm plate (71612.)

With eaves fixture bracket, 270 mm plate (71659.)



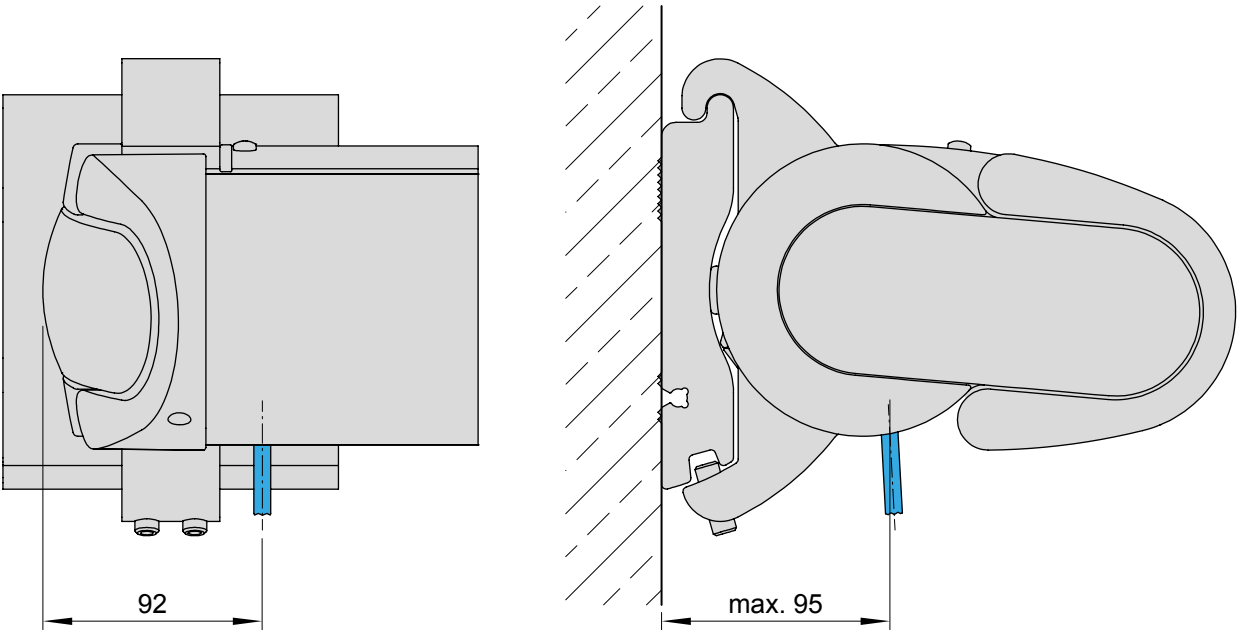
dimensions in mm

Face fixture, manual operation



- 01
- 02
- 03
- 04
- 05
- 06
- 07
- 08
- 09**
- 10
- 11
- 12
- 13
- 14
- 15
- 16
- 17

Motor cable exit point



01 Face fixture, radio-controlled motor with manual override

02

03

04

05

06

07

08

09

10

11

12

13

14

15

16

17

