



Semi-cassette awning

## **markilux 1600**

The awning with excellent design features and well-thought-out mechanics.

# markilux by Aquarius Blinds



product  
design award

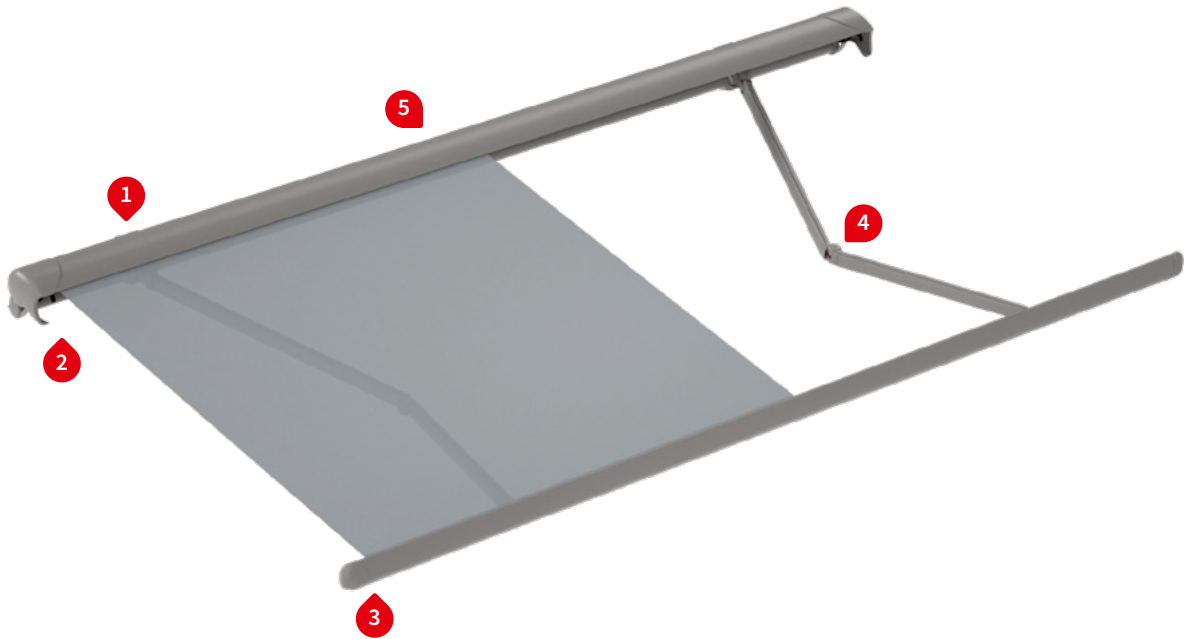
[www.aqblinds.co.uk](http://www.aqblinds.co.uk) - 0800 953 0199

**markilux**  
safe timeless beautiful

01  
02  
03  
04  
05  
06  
07  
08  
09  
10

# Product characteristics

Wind resistance class 2  
Beaufort 5 → 7.5–10.4 m/s → 28–37 km/h → 17–23 mph



## 11

12  
13  
14  
15  
16  
17

1 face fixture



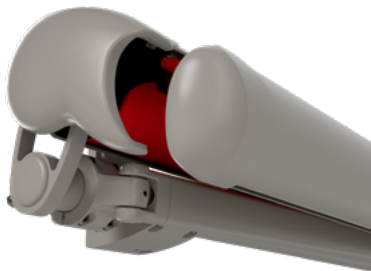
1 face fixture, maximum pitch of 50°



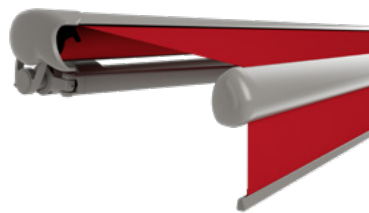
1 top fixture



2 retraction phase



3 drop valance, during extension 1)



4 twin steel-link chain, corrosion protected



4 bionic tendon made of high-tech fibres for optimum power transference 1)



5 wall sealing profile, up to a pitch of 25° 1)



1) optional configuration

## Product characteristics

### Description

- the folding-arm awning with exceptional, organic design characteristics and pivoting coverboard ideally suited for shading large areas.

### Special features

- the dynamically rounded coverboard gives it the appearance of a full cassette awning
- during the closing procedure, the coverboard tilts automatically down to meet the given pitch of the awning and together with the front profile encloses the roller tube completely (the awning is open underneath)
- coverboard with integrated brush so that debris does not get dragged into the awning as it closes
- option of a drop valance up to a projection of 350 cm – vertical protection against low-lying sun, wind and inquisitive glances integrated into the front profile, can be operated manually or by motor
- awning with an extremely torsion-resistant, round torque bar which gives a certain degree of flexibility when choosing the fixture points

### Dimensions

- cassette in the standard version: depth 254 mm, height 223 mm
- single unit: minimum width 174 cm at the smallest projection of 150 cm maximum width 710 cm at the largest projection of 400 cm
- also available as a coupled unit

### Roller tube and lateral arm bearers

- round roller tube Ø 85 mm with keyway, galvanised steel – excellent stability, ensures near perfect cover performance even at the largest widths
- the roller tube support bracket is made of extruded aluminium, powder coated, visually masked by the coverboard end cap

### Awning profiles

- extruded aluminium, in façade quality, powder coated
- oval, single-piece coverboard, pre-fitted, enclosing the awning from behind and above
- semi-circular front profile incorporated into the coverboard during closing
- round torque bar Ø 50 mm, galvanised both inside and out, powder coated

### Folding arms

- profiles in extruded aluminium, in façade quality, powder coated
- moving parts made of drop-forged aluminium – the arms are therefore extremely fracture resistant
- pivot bolts in stainless steel run in Teflon-coated bronze bushes – practically maintenance free, virtually silent and extremely hard-wearing
- power transference via corrosion-protected twin steel-link chains at the elbow joint, optionally with innovative bionic tendon made of high tensile, high-tech fibres – low in friction, noiseless, insensitive to corrosion and UV resistant

### Side caps

- the coverboard end caps are made of high-quality plastic, powder coated
- the front profile and torque bar end caps are made of high-quality plastic, powder coated or in polished chrome

### Fixture brackets

- face fixture, top fixture, eaves fixture
- extruded aluminium, powder coated
- pitch range 5°–50°, infinitely adjustable
- spacer plates, stand-off brackets and other accessories are available

01 **Frame and end cap colours**

markilux frame colours without surcharge

02 traffic white RAL 9016

metallic aluminium RAL 9006

grey brown, similar to RAL 8019



06  
07 off-white textured finish, 5233 <sup>1)</sup>

stone grey metallic, 5215 <sup>1)</sup>

anthracite metallic, 5204 <sup>1)</sup>



**11**

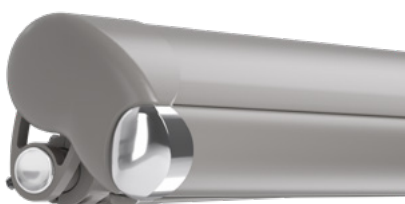
Havana brown textured finish, 5229 <sup>1)</sup>



16 off-white textured finish, 5233 <sup>1)</sup> front  
17 profile and torque bar end cap in polished  
chrome

stone grey metallic, 5215 <sup>1)</sup> front profile  
and torque bar end cap in polished  
chrome

anthracite metallic, 5204 <sup>1)</sup> front profile  
and torque bar end cap in polished  
chrome



Combination options – possible in any frame colour.

**Non-standard powder-coated finish**

Bespoke frame colours at a surcharge – matt, metallic and pearl finishes as well as other colour ranges (DB, Tiger etc.) on request. All frame colours are available at a surcharge with enhanced corrosion protection.

**1)** textured finish

Colours may differ slightly from those depicted in both hue and finish.

# Dimensions and configuration options

Single unit

Order dimensions	Overall awning width										Minimum width				
	260	310	360	410	460	510	560	610	660	710 <sup>2)</sup>	Motor		Crank handle		
	174	261	311	361	411	461	511	561	611	661					
	260	310	360	410	460	510	560	610	660	710					
H	150	<sup>3)</sup>									187	174	—	190	177
	200	<sup>3)</sup>									237	224	—	240	227
	250	—	<sup>3)</sup>								287	274	—	290	277
	300	—	—	<sup>3)</sup>							337	324	—	340	327
	350	—	—	—	<sup>3)</sup>					<sup>1) 3)</sup>	387	374	637	390	377
	400 <sup>1) 2)</sup>	—	—	—	—	<sup>3)</sup>				—	437	424	687	—	—

- 1) = drop valance not available
- 2) = only available with motor drive (surcharge)
- 3) = please observe the minimum widths!
- H = projection

	= 2 folding arms, 2 brackets
	= 2 folding arms, 3 brackets
	= 2 folding arms, 3 brackets, 1 rolltex bearing
	= 3 folding arms, 4 brackets, 2 rolltex bearings

	= 2 standard arms
	= 2 bespoke arms (surcharge)
	= 3 standard arms

dimensions in cm

Operation	standard	optional
manual operation	✓	—
spring-assisted crank handle	—	✓
hard-wired motor	—	✓
silentec motor (optionally with an external io / RTS receiver) <sup>1)</sup>	—	—
radio-controlled motor io, 868 MHz	—	✓
radio-controlled motor RTS, 433 MHz	—	✓
radio-controlled motor RTS, 433 MHz with manual override <sup>1)</sup>	—	✓

1) for awnings with a maximum of 2 arms

Awning cover	fabric range no.	standard	optional
sunvas	301.. / 309..-315..	✓	—
perla	370 ..	—	✓
sunsilk	324.. / 325.. / 328.. / 369..	✓	—
perla FR	374.. / 375..	—	✓
perfortex	331.. / 332..	—	—
transolair	338..	—	—
vuscreen Alu	317..	—	—
Soltis Perform 92	92-20..	—	—
glass fibre screen	272..	—	—
valance, height 20 cm		—	✓

## Coupled Awning (only with motor drive)<sup>1)</sup>

2 fields, 1 motor, maximum width 1410 cm
maximum projection (depending on the width) 400 cm
junction roller (one-piece cover not available)

1) **N.B!** Important background information can be found in the chapter “General Information”, in the section “Coupled Awnings”.

## Shadeplus / drop valance<sup>5)</sup>

	standard	optional
height 210 cm <sup>1)</sup>		
maximum awning projection 350 cm <sup>2)</sup>		
manual operation	✓	—
hard-wired motor <sup>3)</sup>	—	✓
radio-controlled motor io, 868 MHz <sup>3)</sup>	—	✓
radio-controlled motor RTS, 433 MHz <sup>3)</sup>	—	✓
cover	sunvas / sunsilk / transolair / vuscreen Alu <sup>4)</sup>	

- 1) depending on the fabric width (fabric width 120 cm) with horizontal seam
- 2) not available in awning sizes from 611 cm to 660 cm × 350 cm
- 3) drop 100 cm / striped fabrics will run horizontally
- 4) vuscreen Alu: maximum height 100 cm, only available with manual operation
- 5) Only available in plain seamless fabrics (oversized, fabric width > 120 cm) or in plains with a horizontal joint (fabric width 120 cm).

01  
02  
03  
04  
05  
06  
07  
08  
09  
10  
11  
12  
13  
14  
15  
16  
17

### Optional accessories

drop valance, manual or motor operation
folding arm technology with bionic tendon valance
wall sealing profile (effective up to a maximum awning pitch of 25°); coverboard when fitted to the markilux panel, in one piece
infrared heater 2500 W
infrared heater 2500 W with integrated radio-controlled receiver 868 MHz io
LED spotline – light bar 110 × 70 mm with 5 W LED spotlights, width 180 cm / 3 spots or 300 cm / 5 spots
LED spotline io – light bar 110 × 70 mm with 5 W LED spotlights with integrated dimmable radio-controlled receiver, width 180 cm / 3 spots or 300 cm / 5 spots
automatic controls (light, wind, rain)

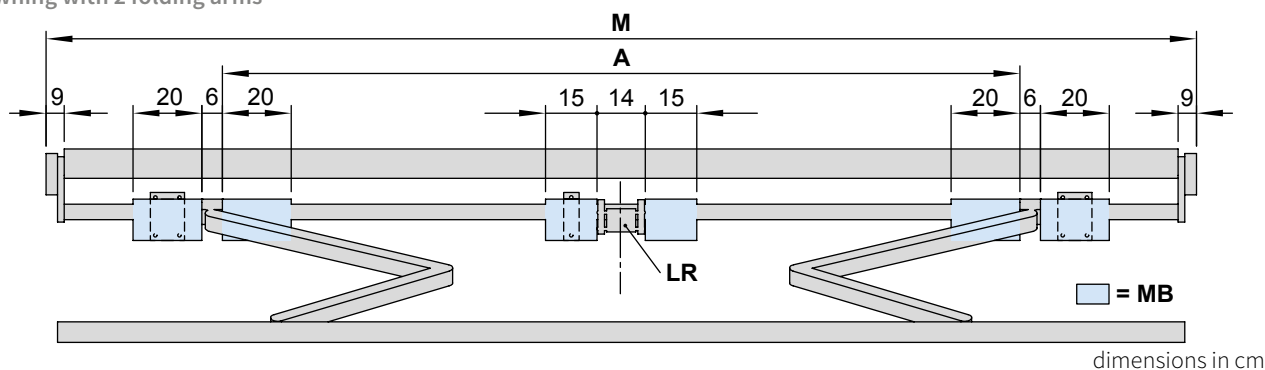
**N.B!** Important background information can be found in the chapter “Optional Accessories”.

### Fixture brackets

wall bracket 100 mm	70867.
wall bracket 45 mm	71813.
spreader plate A 430 × 160 × 12 mm	75326.
spreader plate B 300 × 400 × 12 mm	75325.
markilux panel 250 × 230 × 49 mm	76308.
markilux panel continuous	76380.
stand-off bracket wide 80–300 mm	77968.
stand-off bracket narrow 80–300 mm	77967.
top fixture bracket 90 mm	70868.
top fixture bracket 45 mm	71818.
eaves fixture bracket 90 mm, 150 mm plate	71612.
eaves fixture bracket 90 mm, 270 mm plate	71659.
flat plate and angled bracket for eaves fixture, machine finish aluminium, 500 mm plate	716620
spreader plate 260 × 60 × 12 mm for eaves fixture bracket	75383.
eaves fixture bracket adjustable from 7.5° – 60°	71198.

# Bracket fixture range

Awning with 2 folding arms



		Overall awning width								
		260	310	360	410	460	510	560	610	660
Order dimensions		173	261	311	360	411	461	511	561	611
		260	310	360	410	460	510	560	610	660
		Arm position A								
H	150	154 <sup>1)</sup>	220	260	280	330	390	425	460	500
	200	204 <sup>2)</sup>	204 <sup>1)</sup>	260	280	330	390	425	460	500
	250	—	254 <sup>2)</sup>	254 <sup>1)</sup>	280	330	390	425	460	500
	300	—	—	304 <sup>2)</sup>	304 <sup>1)</sup>	330	390	425	460	500
	350	—	—	—	354 <sup>2)</sup>	370 <sup>1)</sup>	390	425	460	500
	400	—	—	—	—	404 <sup>2)</sup>	425 <sup>1)</sup>	425	460	—
BHT		No. of brackets   No. of fixing points								
W	4,5	—						1   2		
	10	2   6						2   6		
BP		A 2   16				B 2   8		A 2   16 B 2   8		
DP		—						1		
PA		2   8						3   12		
DE	4,5	—						1   2		
	9	2   8						2   8		
DA	9	2   8						3   12		

If the brackets cannot be positioned in accordance with this table, make sure the actual measurements are noted on the order form!

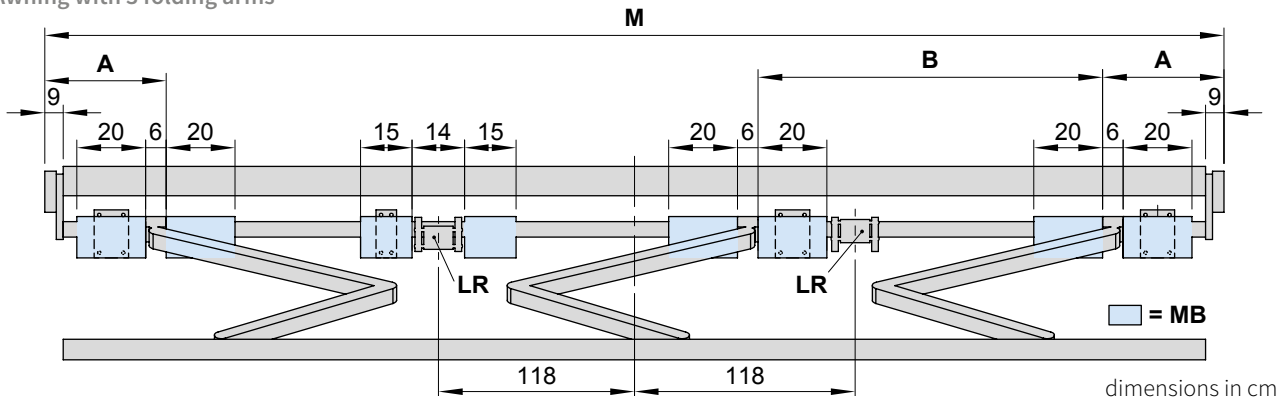
- 1) = coupled awning in intermediate widths available on request with junction roller
- 2) = please note the minimum widths! Dimension A is only valid for standard arms! Dimension A is 13 cm smaller in the case of bespoke arms. In the case of small awnings the brackets can only be fitted inside the arms, i.e. the position denoted by measurement A. Coupled units are not available with junction roller.

The **pull-out forces** necessary for determining the correct fixing materials necessary to meet wind resistance class 2 (Beaufort 5) can be found in the password-protected dealer area of the markilux.com website under "Pull-out Forces".

- A = arm position
- BHT = bracket width
- BP = spreader plate A or B, to be positioned behind the folding arm
- DA = eaves fixture bracket
- DE = top fixture bracket
- DP = spacer plate 71826., to be positioned behind
- H = the rolltex bearing, in the case of spreader plate A or B
- LR = rolltex bearing
- M = order dimension = awning width
- MB = bracket fixture range
- PA = markilux panel, fixture profile, width 250 mm
- W = face fixture bracket

# Bracket fixture range

Awning with 3 folding arms



**Overall awning width**  
**710**

Order dimensions

661 - 710

		Arm position	
		A	B
H	150	35	220
	200	35	220
	250	35	220
	300	35	220
	350	25 <sup>1)</sup>	230 <sup>1)</sup>
	400	17 <sup>1)</sup>	229 <sup>1)</sup>

		No. of brackets   No. of fixing points	
W	4,5	1   2	
	10	3   9	
BP		A 3   24    B 3   24	
DP		1	
PA		4   16	
DE	4,5	1   2	
	9	3   12	
DA	9	4   16	

dimensions in cm

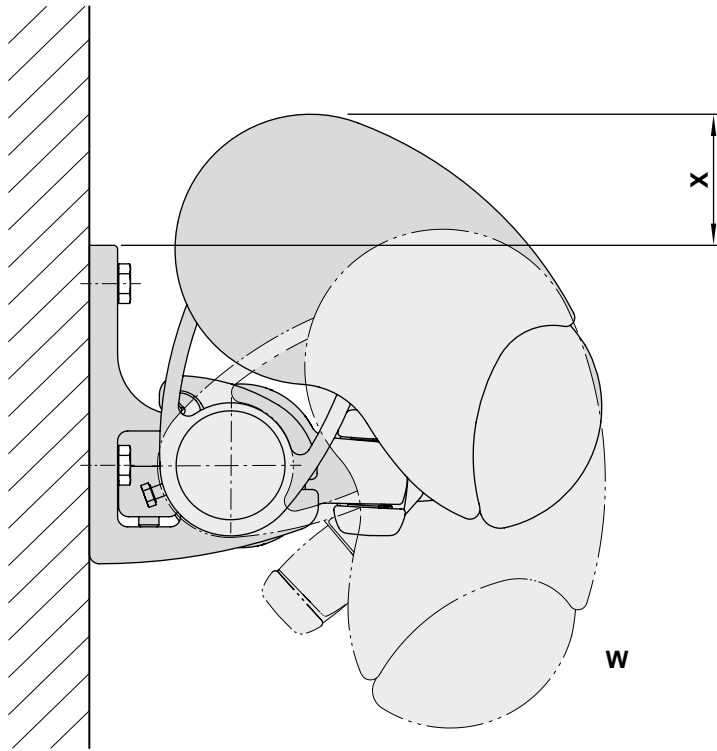
If the brackets cannot be positioned in accordance with this table, make sure the actual measurements are noted on the order form!

The **pull-out forces** necessary for determining the correct fixing materials necessary to meet wind resistance class 2 (Beaufort 5) can be found in the password-protected dealer area of the markilux.com website under "Pull-out Forces".

- 1) = coupled units are not available with junction roller
- A = arm position
- BHT = bracket width
- BP = spreader plate A or B, to be positioned behind the folding arm
- DA = eaves fixture bracket
- DE = top fixture bracket
- DP = spacer plate 71826., to be positioned behind the rolltex bearing, in the case of spreader plate A, B
- H = *order dimension* = projection
- LR = rolltex bearing
- M = *order dimension* = awning width
- MB = bracket fixture range
- PA = markilux panel, fixture profile, width 250 mm
- W = face fixture bracket

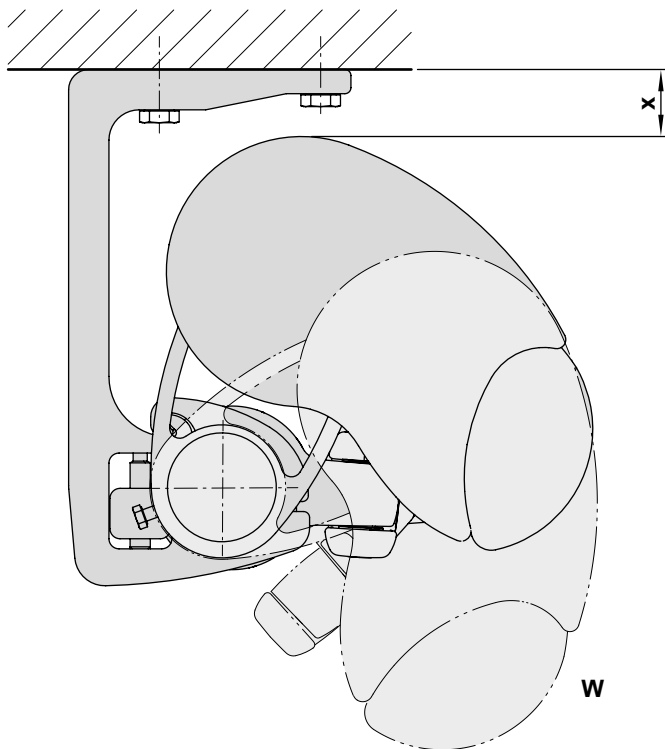
# Overall unit height at different pitch settings

Face fixture



pitch (W)	approx. height in mm (X)
5°	65
10°	64
15°	60
20°	54
25°	48
30°	41
35°	34
40°	26
45°	17
50°	8

Top fixture



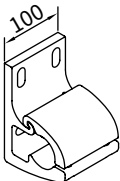
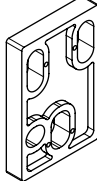
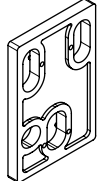
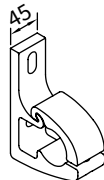

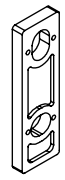
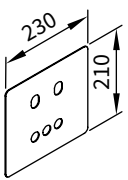
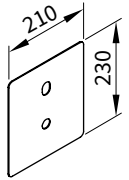
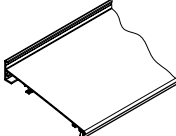
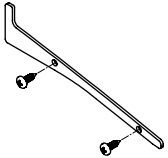
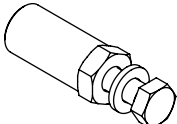
pitch (W)	approx. height in mm (X)
5°	33
10°	34
15°	38
20°	44
25°	50
30°	57
35°	65
40°	73
45°	81
50°	90

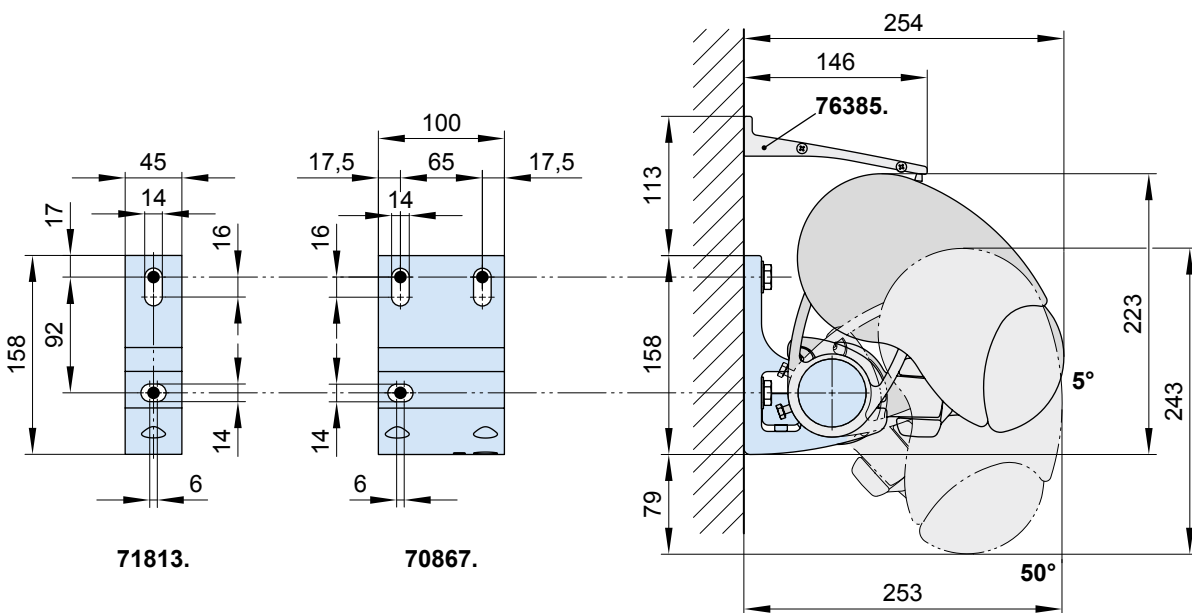
01  
02  
03  
04  
05  
06  
07  
08  
09  
10  
**11**  
12  
13  
14  
15  
16  
17

01  
02  
03  
04  
05  
06  
07  
08  
09  
10  
11  
12  
13  
14  
15  
16  
17

# Face fixture

## Fixtures, fittings and accessories

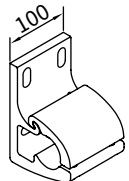
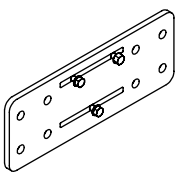
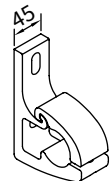

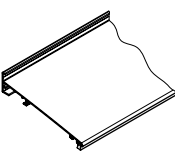
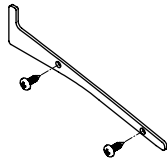
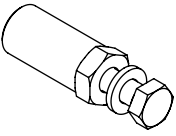
 <p>face fixture bracket 100 mm</p> <p><b>70867.</b></p>	 <p>spacer plate 100 x 150 x 20 mm</p> <p><b>N.B!</b> Stack to a max. height of 200 mm</p> <p><b>758831</b></p>	 <p>spacer plate 100 x 150 x 12 mm</p> <p><b>758841</b></p>
 <p>face fixture bracket for central fixture, depending on size 45 mm</p> <p><b>71813.</b></p>	 <p>spacer plate for face fixture 45 x 150 x 20 mm</p> <p><b>N.B!</b> stack to a max. height of 200 mm</p> <p><b>718251</b></p>	 <p>spacer plate for face fixture 45 x 150 x 12 mm</p> <p><b>71826.</b></p>
 <p>cover plate for spacer plate and stand-off brackets in the case of external insulation 230 x 210 x 2 mm</p> <p><b>71843.</b></p>	 <p>cover plate for spacer plate and stand-off brackets in the case of external insulation 210 x 230 x 2 mm</p> <p><b>71844.</b></p>	 <p>Wall sealing profile incl. brush seal when installing with a coverboard available by the metre</p> <p><b>76385. and 704241</b></p>
 <p>1 side plate including 2 pan-head self-tapping screws for wall sealing profile</p> <p><b>76386. and 2 x 735611</b></p>	 <p>bolt reduction assembly pack 10 pcs</p> <p>M 16 → M 12   M 16 → M 10   M 12 → M 10   M 10 → M 10</p>	

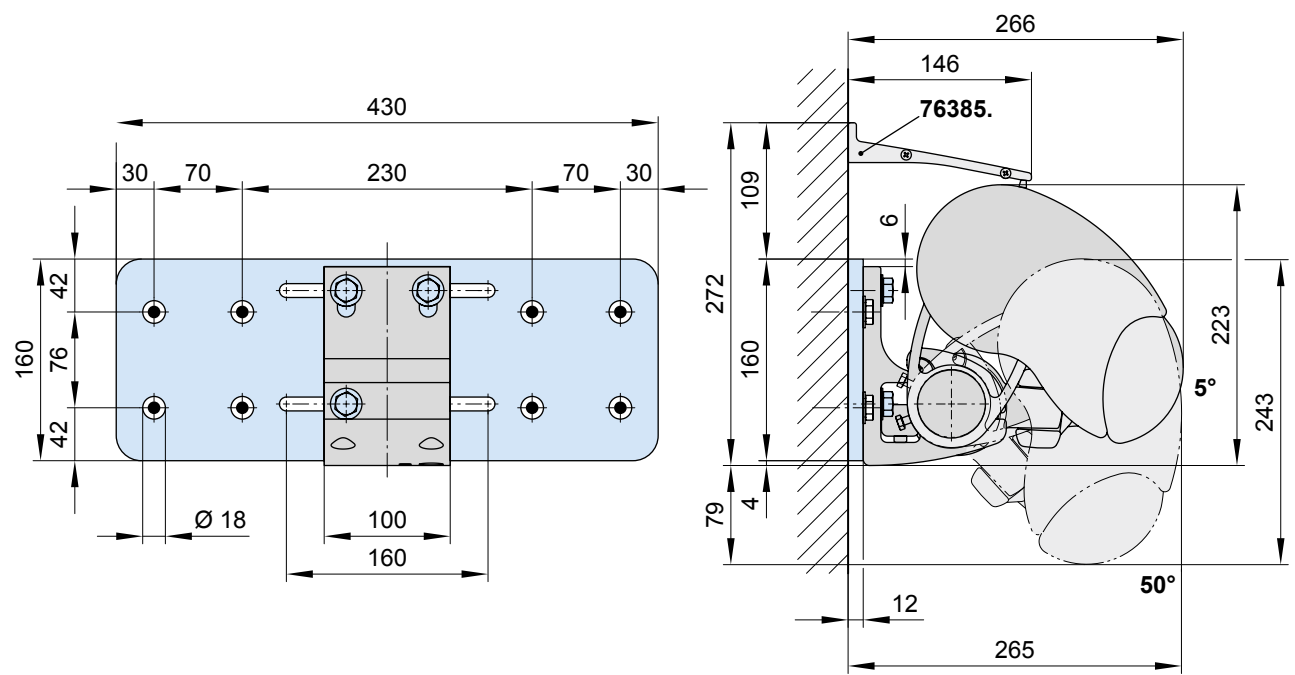


76385. = wall sealing profile (standard width = awning width (M); up to a maximum awning pitch of 25°) dimensions in mm

# Face fixture with spreader plate A

Fixtures, fittings and accessories

 <p>face fixture bracket 100 mm</p> <p><b>70867.</b></p>	 <p>spreader plate A face fixture 160 × 430 × 12 mm</p> <p><b>75326.</b></p>	 <p>face fixture bracket for central fixture, depending on size 45 mm</p> <p><b>71813.</b></p>
 <p>spacer plate for face fixture 45 × 150 × 12 mm</p> <p><b>71826.</b></p>	 <p>Wall sealing profile incl. brush seal when installing with a coverboard available by the metre</p> <p><b>76385. and 704241</b></p>	 <p>1 side plate including 2 pan-head self-tapping screws for wall sealing profile</p> <p><b>76386. and 2 × 735611</b></p>
 <p>bolt reduction assembly pack 10 pcs</p> <p>M 16 → M 12   M 16 → M 10   M 12 → M 10   M 10 → M 10</p>		



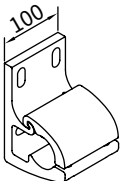
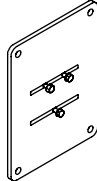
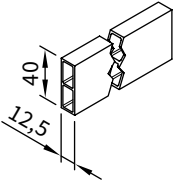
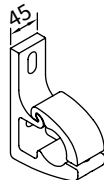
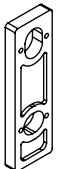
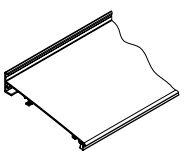
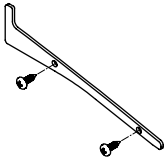
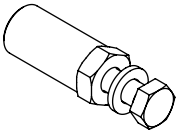
**76385.** = wall sealing profile (standard width = awning width (M); up to a maximum awning pitch of 25°) dimensions in mm

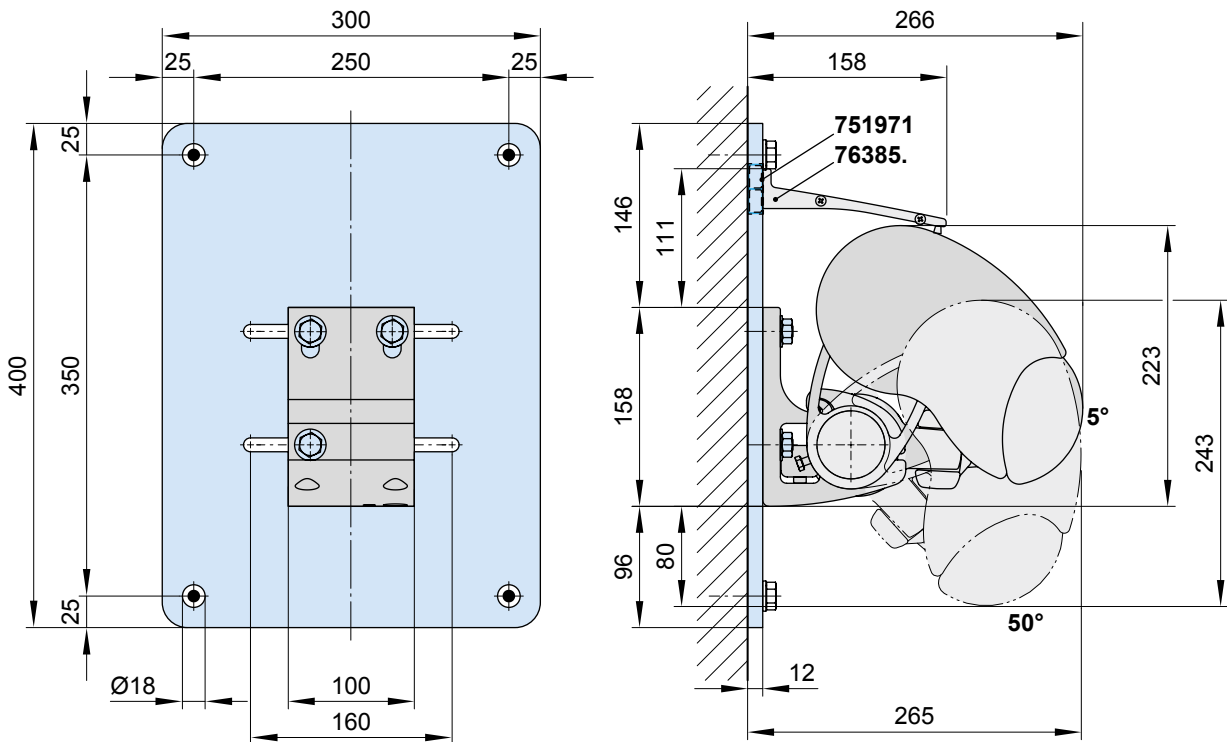
01  
02  
03  
04  
05  
06  
07  
08  
09  
10  
**11**  
12  
13  
14  
15  
16  
17

01  
02  
03  
04  
05  
06  
07  
08  
09  
10  
11  
12  
13  
14  
15  
16  
17

# Face fixture with spreader plate B

Fixtures, fittings and accessories

 <p>face fixture bracket 100 mm</p> <p><b>70867.</b></p>	 <p>spreader plate B face fixture 300 × 400 × 12 mm</p> <p><b>75325.</b></p>	 <p>stand-off strip for wall sealing profile available by the metre</p> <p><b>751971</b></p>
 <p>face fixture bracket for central fixture, depending on size 45 mm</p> <p><b>71813.</b></p>	 <p>spacer plate for face fixture 45 × 150 × 20 mm</p> <p><b>71826.</b></p>	 <p>Wall sealing profile incl. brush seal when installing with a coverboard available by the metre</p> <p><b>76385. and 704241</b></p>
 <p>1 side plate including 2 pan-head self-tapping screws for wall sealing profile</p> <p><b>76386. and 2 × 735611</b></p>	 <p>bolt reduction assembly pack 10 pcs</p> <p>M 16 → M 12   M 16 → M 10   M 12 → M 10   M 10 → M 10</p>	



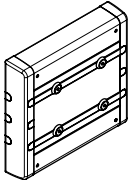
**751971** = stand-off strip for wall sealing profile

**76385.** = wall sealing profile (standard width = awning width (M); up to a maximum awning pitch of 25°)

dimensions in mm

# Face fixture with markilux panel 250 mm

Fixtures, fittings and accessories

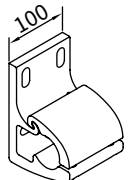


markilux panel 250 mm  
fixture profile

with decorative profiles  
and end caps

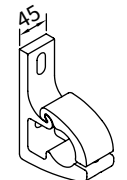
250 × 230 × 49 mm

**76308.**



face fixture bracket  
100 mm

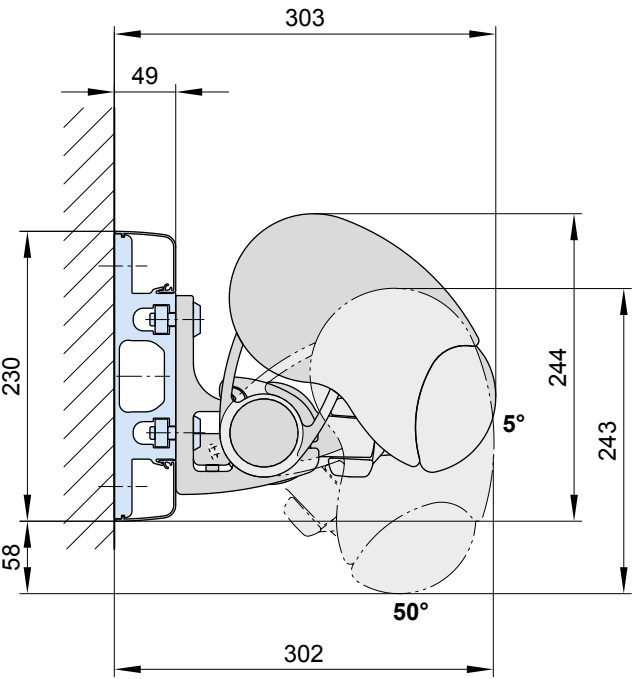
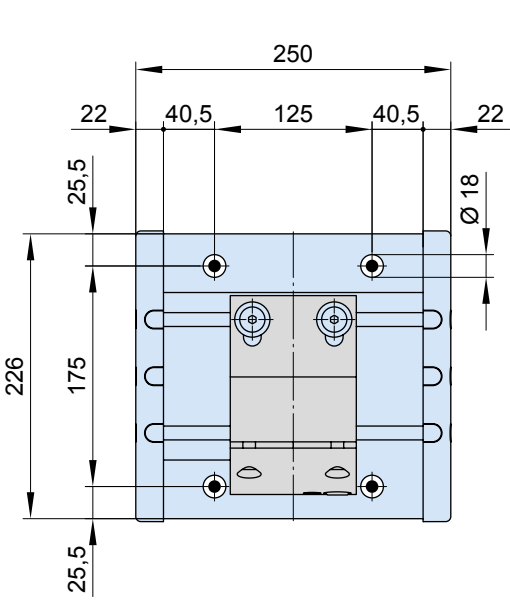
**70867.**



face fixture bracket  
for central fixture,  
depending on size

45 mm

**71813.**

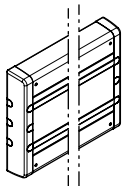


dimensions in mm

- 01
- 02
- 03
- 04
- 05
- 06
- 07
- 08
- 09
- 10
- 11**
- 12
- 13
- 14
- 15
- 16
- 17

01 **Face fixture with markilux panel continuous**

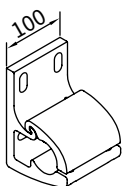
02 Fixtures, fittings and accessories

03  markilux panel 250 mm  
fixture profile

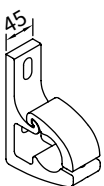
04 with decorative profiles  
and end caps

05 continuous

**76380.**

03  face fixture bracket  
100 mm

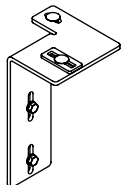
**70867.**

03  face fixture bracket

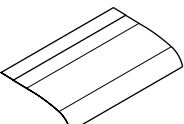
04 for central fixture,  
depending on size

05 45 mm

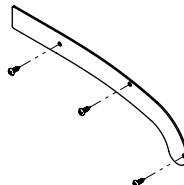
**71813.**

06  Coverboard brackets

**76390.**

06  Coverboard incl. addi-  
tional profile and rubber  
sealing strip

**72015., 72019., 75970.**

06  End cheeks for the cover-  
board, 282 × 87 × 2 mm

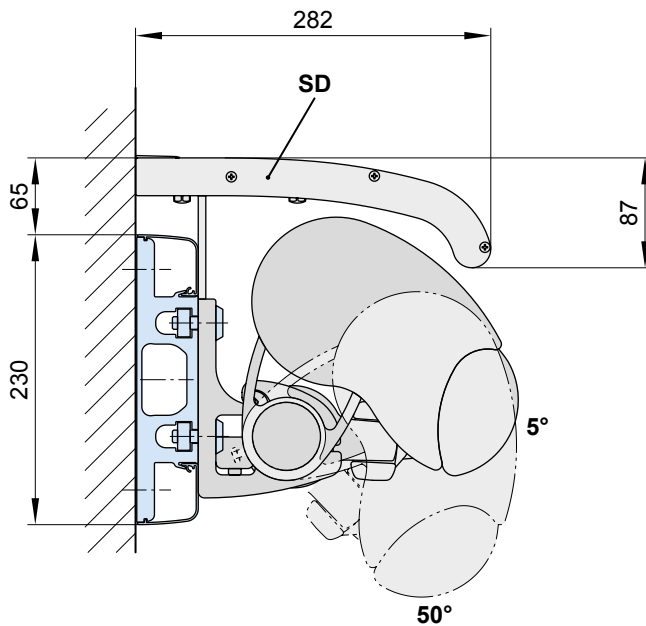
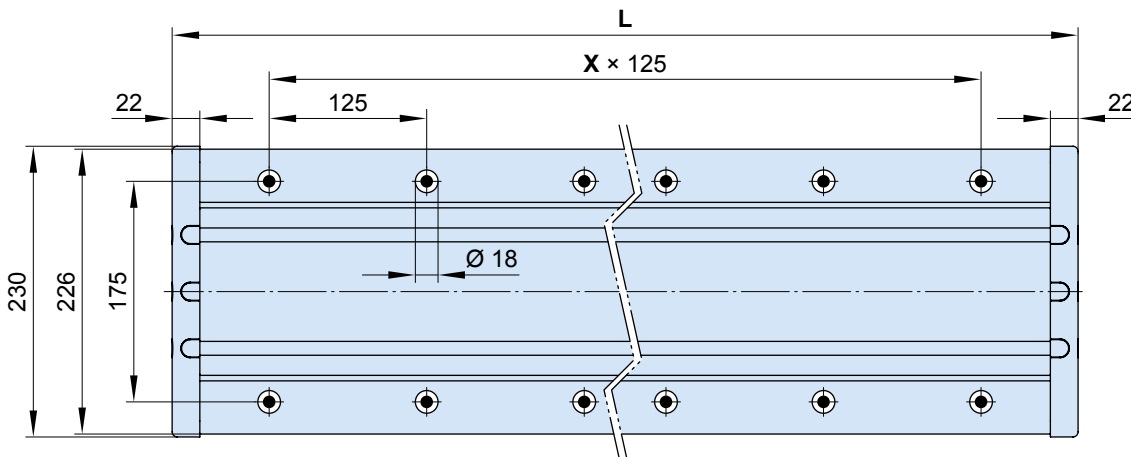
07 and

08 3 fillister head self-tap-  
ping screws

**76469. und 3 × 735611**

09 As a **continuous fixture profile**, the markilux panel will always be supplied to order on the basis of a technical drawing prepared in  
10 the factory in accordance with the awning specification.

11



14 L = individual width, max. 7000 mm

15 SD = coverboard

X = fixing point separation, **by way of example**

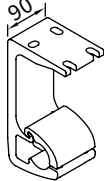
16 dimensions in mm



01  
02  
03  
04  
05  
06  
07  
08  
09  
10  
11  
12  
13  
14  
15  
16  
17

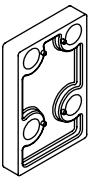
# Top fixture

## Fixtures, fittings and accessories



top fixture bracket  
90 mm

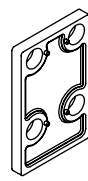
**70868.**



spacer plate for top fixture  
90 × 140 × 20 mm

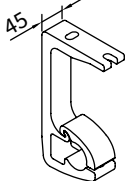
**N.B!** stack to a max. height of 200 mm

**716311**



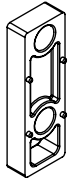
spacer plate for top fixture  
90 × 140 × 12 mm

**716411**



top fixture bracket  
additional bracket for 3 folding arms

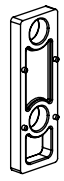
**71818.**



spacer plate for top fixture  
45 × 140 × 20 mm

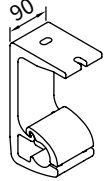
**N.B!** stack to a max. height of 200 mm

**716261**



spacer plate for top fixture  
45 × 140 × 12 mm

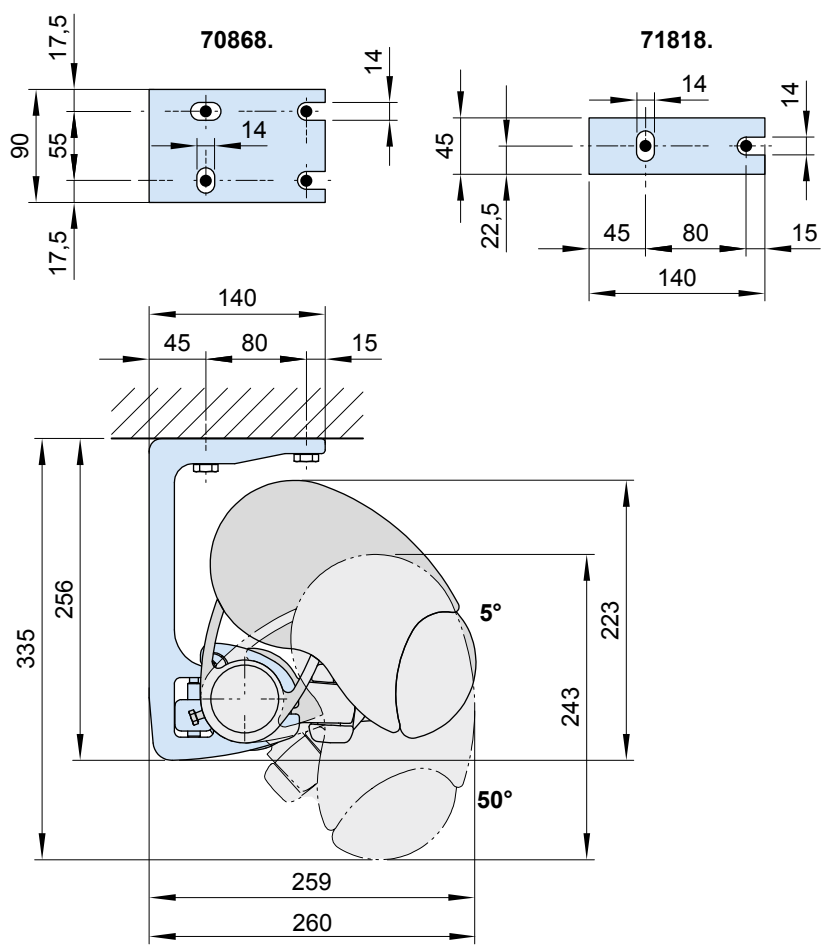
**716371**



top fixture bracket  
for central fixture

**N.B!**  
The pull-out forces are double those of top fixture bracket 70868.

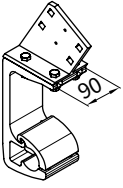
**70869.**



dimensions in mm

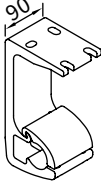
# Eaves fixture

Fixtures, fittings and accessories



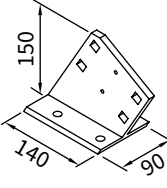
eaves fixture bracket  
complete set  
height of flat  
plate: 150 mm  
90 mm

**70871.**



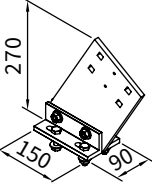
top fixture bracket  
90 mm

**70868.**



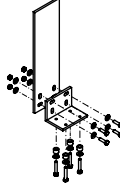
eaves fixture bracket  
150 mm plate

**71612.**



eaves fixture bracket  
270 mm plate  
please refer to "Eaves  
fixture with spreader /  
backing plate"

**71659.**

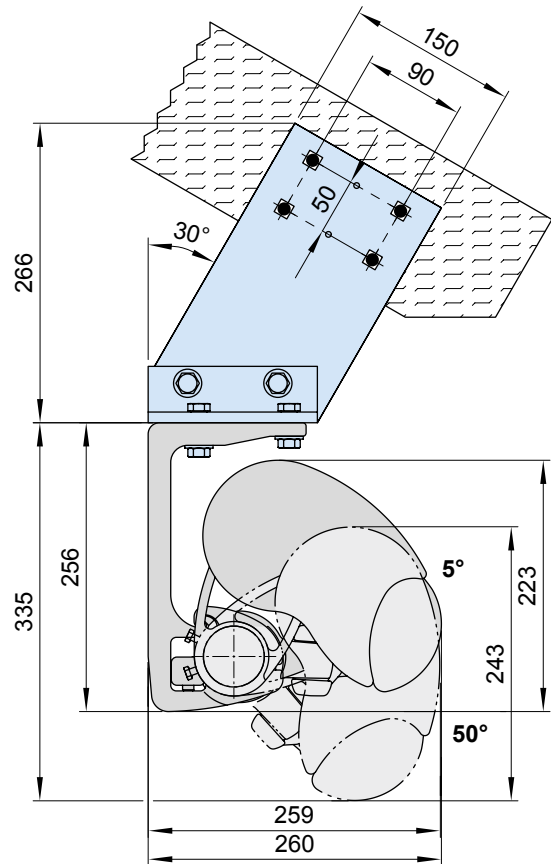
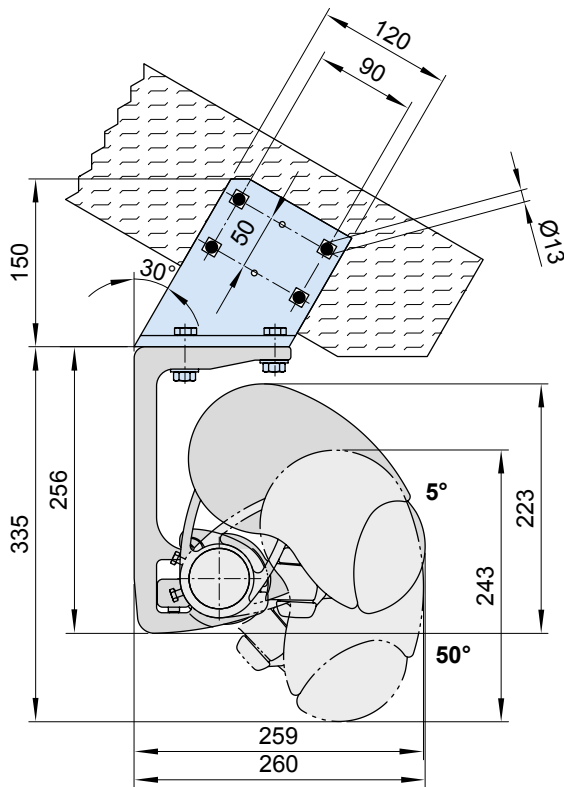


flat plate and angled  
bracket for eaves fixture  
machine finish

**716620**

with eaves fixture bracket 150 mm (71612.)

with eaves fixture bracket 270 mm (71659.)



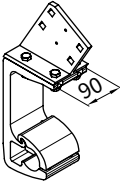
dimensions in mm

01  
02  
03  
04  
05  
06  
07  
08  
09  
10  
**11**  
12  
13  
14  
15  
16  
17

01  
02  
03  
04  
05  
06  
07  
08  
09  
10

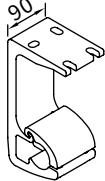
# Eaves fixture with additional plate

Fixtures, fittings and accessories



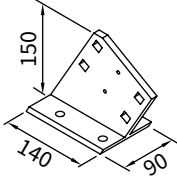
eaves fixture bracket  
complete set  
height of flat plate: 150 mm  
90 mm

**70871.**



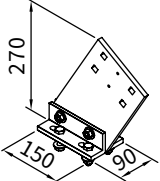
top fixture bracket  
90 mm

**70868.**



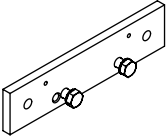
eaves fixture bracket  
150 mm plate

**71612.**



eaves fixture bracket  
270 mm plate  
please refer to "Eaves  
fixture with spreader /  
backing plate"

**71659.**



supplementary flat plate  
eaves fixture  
260 × 60 × 12 mm  
please refer to "Eaves  
fixture with spreader /  
backing plate"

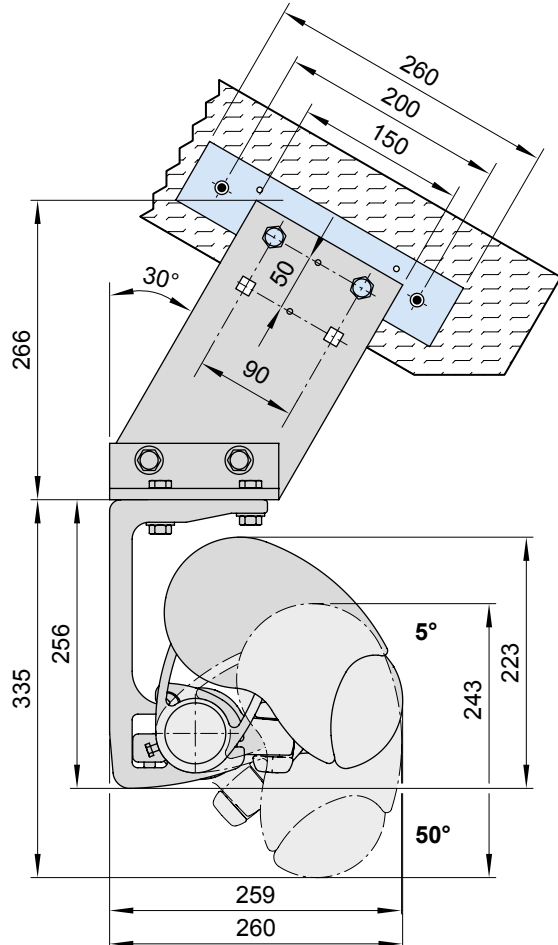
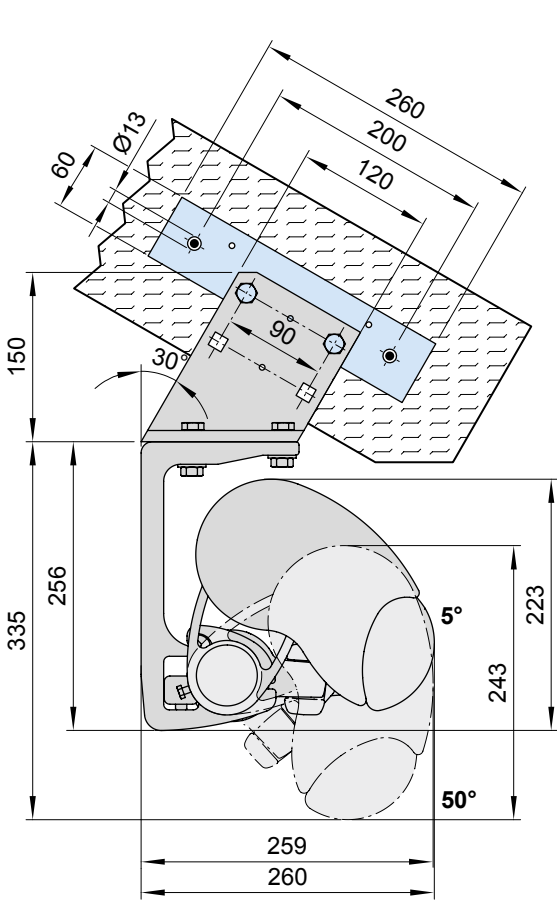
**75383.**

**11**

12  
13  
14  
15  
16  
17

with eaves fixture bracket 150 mm (71612.)

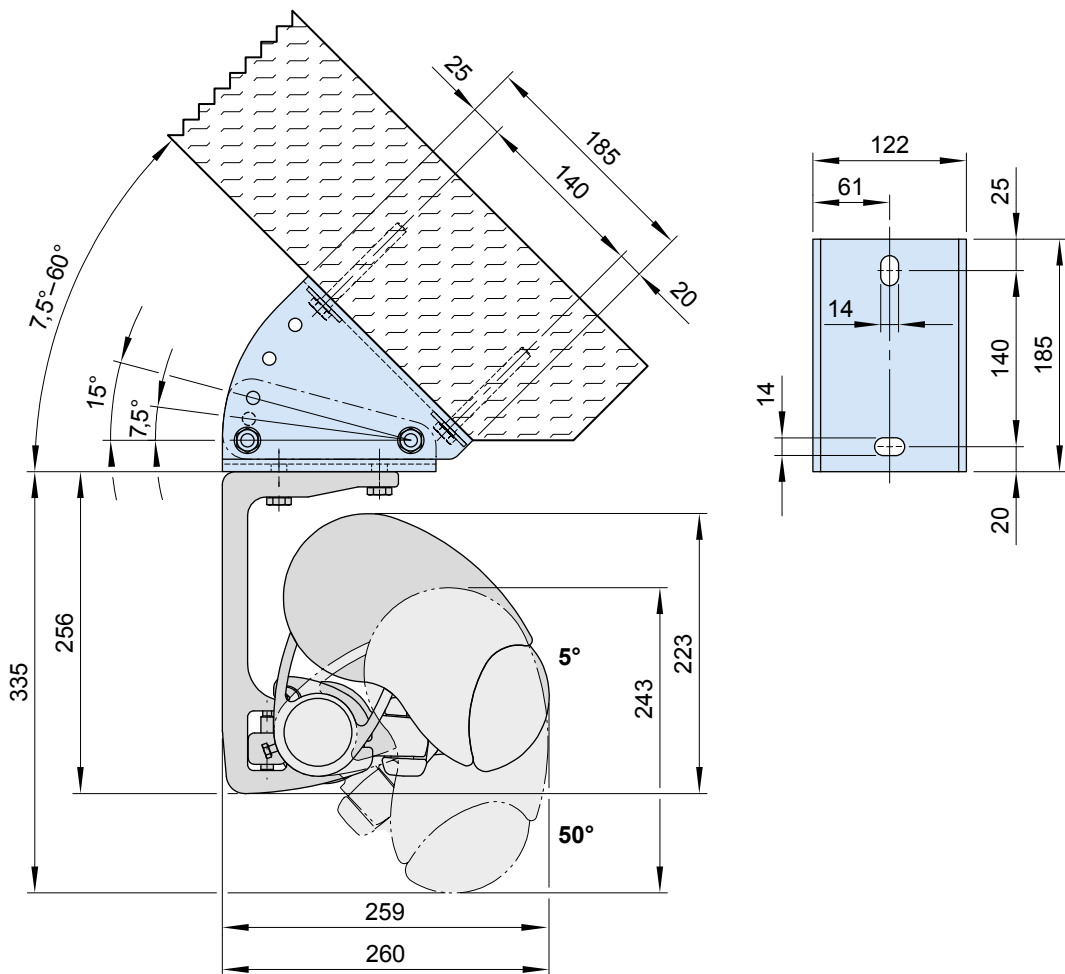
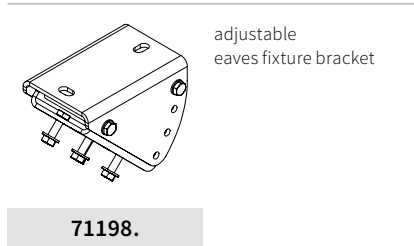
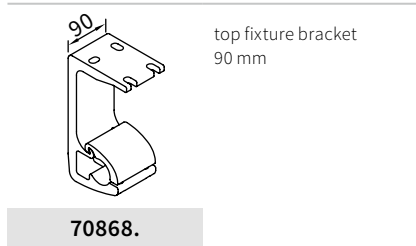
with eaves fixture bracket 270 mm (71659.)



dimensions in mm

# Eaves fixture with adjustable eaves fixture bracket

Fixtures, fittings and accessories



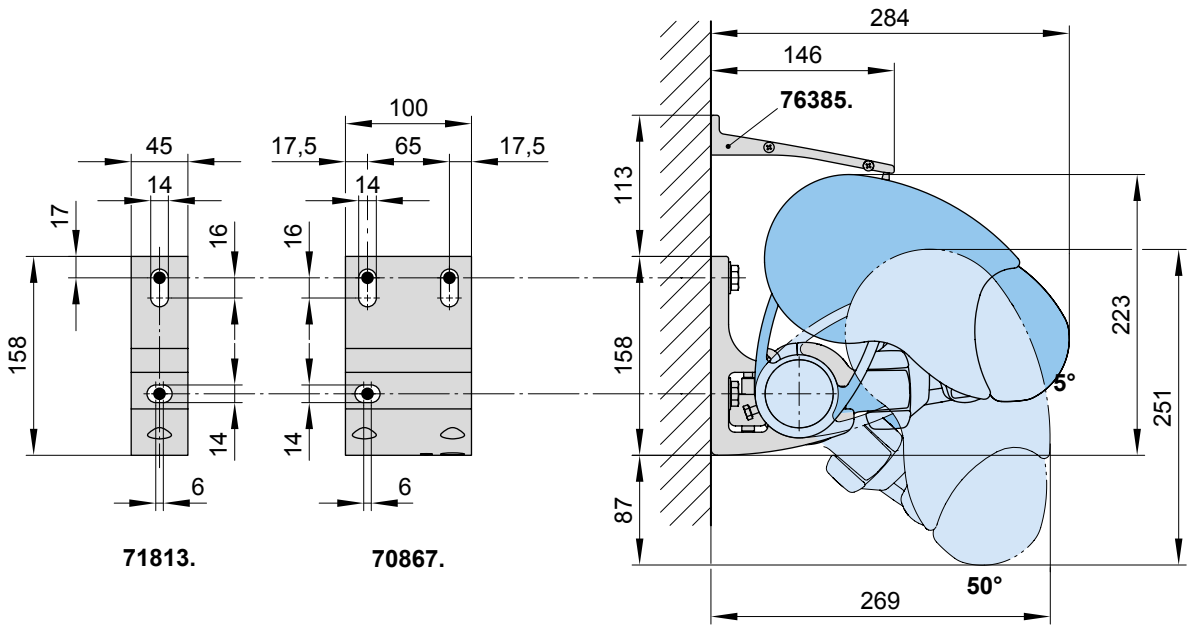
dimensions in mm

01  
02  
03  
04  
05  
06  
07  
08  
09  
10  
**11**  
12  
13  
14  
15  
16  
17

01  
02  
03  
04  
05  
06  
07  
08  
09  
10

# Awning with shadeplus

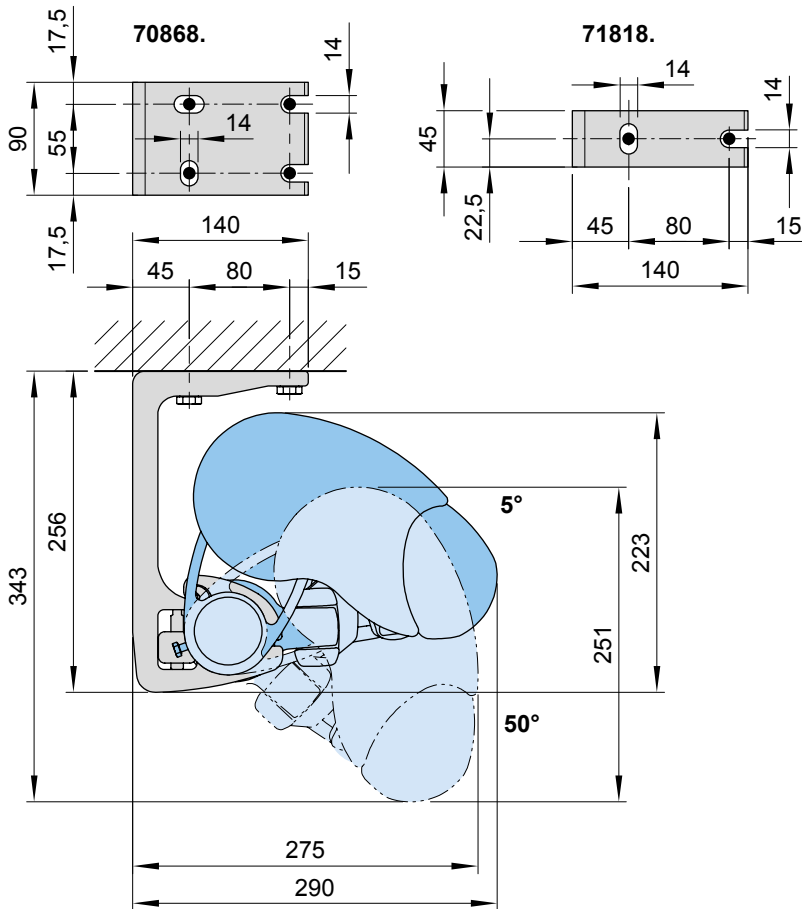
Face fixture



11

12  
13  
14  
15  
16  
17

Top fixture

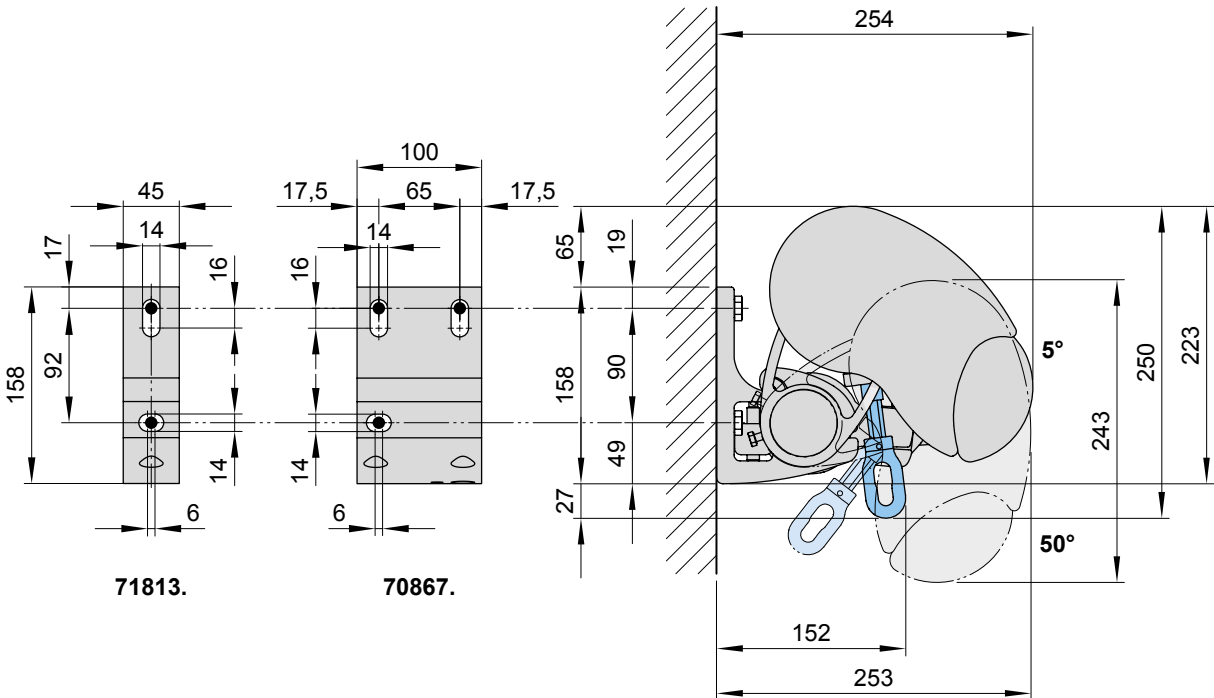


76385. = wall sealing profile (standard width = awning width (M); up to a maximum awning pitch of 25°)

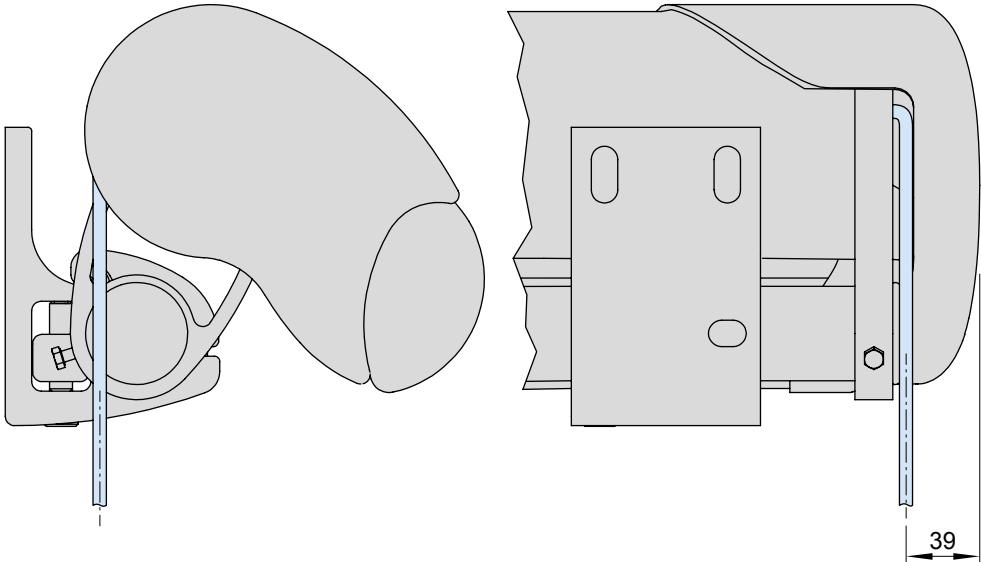
dimensions in mm

# Face fixture, manual operation

Gearbox eye positions



# Motor cable exit point



dimensions in mm

01  
02  
03  
04  
05  
06  
07  
08  
09  
10  
**11**  
12  
13  
14  
15  
16  
17

01  
02  
03  
04  
05  
06  
07  
08  
09  
10  
11  
12  
13  
14  
15  
16  
17

# Face fixture, radio-controlled motor with manual override

Gearbox eye positions

