



Semi-cassette awning

## **markilux 1600 stretch**

The awning with excellent design features and well-thought-out-mechanics. Large projections at limited widths – the perfect solution for narrow reveals, balconies and patios.



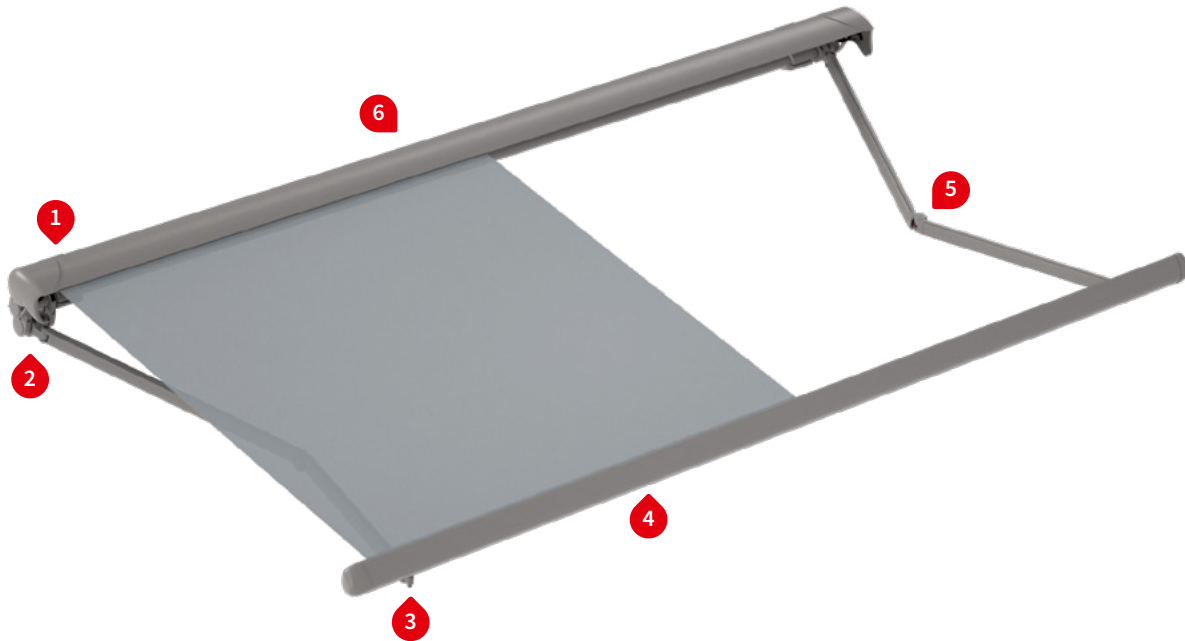
product  
design award

[markilux.com](http://markilux.com)

**markilux**  
safe timeless beautiful

Product characteristics

Wind resistance class 2  
Beaufort 5 → 7.5–10.4 m/s → 28–37 km/h → 17–23 mph



11

1 face fixture



1 face fixture, maximum pitch 25°



1 top fixture



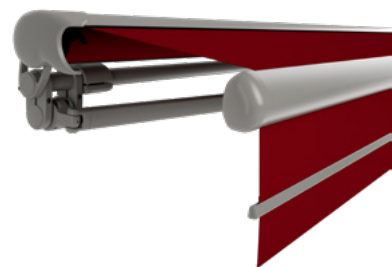
2 folding arm suspended from the torque bar



3 connection of the lower folding arm to the front profile



4 drop valance 1)



5 twin steel-link chains, corrosion protected



5 bionic tendon made of high-tech fibres for optimum power transferance 1)



6 wall sealing profile up to a pitch of 25° 1)



1) optional configuration

## Product characteristics

### Description

- the folding-arm awning with exceptional, organic design characteristics and pivoting coverboard, ideally suited for shading large areas. The smart engineered arm technology allows shading of areas with more depth than width.

### Special features

- awning with an extremely torsion-resistant, round torque bar
- the tiered arms make greater projections than widths possible
- option of a silentec motor – motor noise is appreciably reduced
- during the closing procedure, the coverboard tilts automatically down to meet the given pitch of the awning and together with the front profile encloses the roller tube completely (the awning is open underneath)
- option of a drop valance up to a projection of 350 cm – vertical protection against low-lying sun and inquisitive glances integrated into the front profile, can be operated manually
- coverboard with integrated brush so that debris does not get dragged into the awning as it closes

### Dimensions

- awning in standard version: depth 275 mm, height 297 mm
- single unit: minimum width 122 cm at the smallest projection of 150 cm minimum width 247 cm at the largest projection of 400 cm

### Roller tube and lateral bearings

- round roller tube Ø 85 mm with keyway, galvanised steel – excellent stability, ensures near perfect cover performance even at the largest widths
- the roller tube support bracket is made of extruded aluminium, powder coated, visually masked by the coverboard end cap

### Awning profiles

- extruded aluminium, in façade quality, powder coated
- oval, single-piece coverboard, pre-fitted, enclosing the awning from behind and above
- semi-circular front profile incorporated into the coverboard during closing
- round torque bar Ø 50 mm, galvanised both inside and out, powder coated

### Folding arms

- profiles in extruded aluminium, in façade quality, powder coated
- moving parts made of drop-forged aluminium – the arms are therefore extremely fracture resistant
- pivot bolts in stainless steel run in Teflon-coated bronze bushes – practically maintenance free, virtually silent and extremely hard-wearing
- power transference via corrosion-protected twin steel-link chains at the elbow joint, optionally with innovative bionic tendon made of high tensile, high-tech fibres – low in friction, noiseless, insensitive to corrosion and UV resistant

### Side caps

- the coverboard end caps are made of high-quality plastic, powder coated
- the front profile and torque bar end caps are made of high-quality plastic, powder coated or in polished chrome

### Fixture brackets

- face fixture, top fixture, eaves fixture
- extruded aluminium, powder coated
- pitch adjustment range from 5°–25°; infinitely variable
- spacer plates, stand-off brackets and other accessories are available

01 **Frame and end cap colours**

markilux frame colours without surcharge

02

traffic white RAL 9016

metallic aluminium RAL 9006

grey brown, similar to RAL 8019

03



04

05

06

07

off-white textured finish, 5233 <sup>1)</sup>

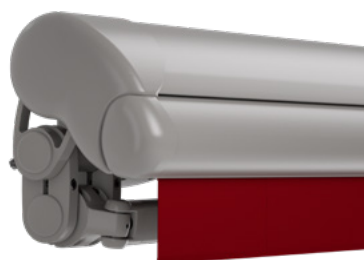
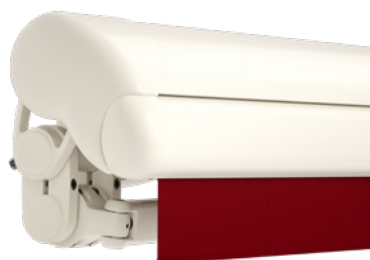
stone grey metallic, 5215 <sup>1)</sup>

anthracite metallic, 5204 <sup>1)</sup>

08

09

10



**11**

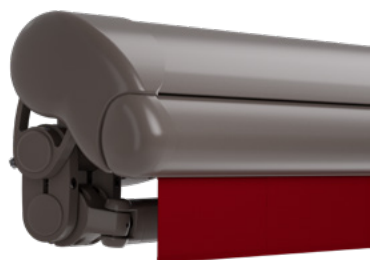
Havana brown textured finish, 5229 <sup>1)</sup>

12

13

14

15



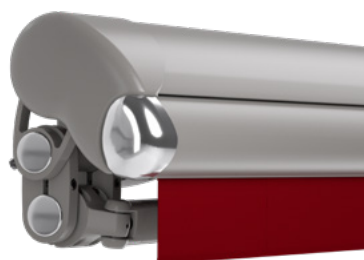
16

17

off-white textured finish, 5233 <sup>1)</sup>  
front profile and torque bar end cap  
in polished chrome

stone grey-metallic 5215 <sup>1)</sup>  
front profile and torque bar end cap  
in polished chrome

anthracite metallic, 5204 <sup>1)</sup>  
front profile and torque bar end cap  
in polished chrome



Combination options – possible in any frame colour

**Non-standard powder-coated finish**





Bespoke frame colours at a surcharge – matt, metallic and pearl finishes as well as other colour ranges (DB, Tiger etc.) on request. All frame colours are available at a surcharge with enhanced corrosion protection

**1)** textured finish

Colours may differ slightly from those depicted in both hue and finish.

## Dimensions and configuration options


### Single unit

Order dimensions	Overall awning width								Minimum width			
	160	185	210	235	260	310	360	410	Motor		Crank handle	
	122 160	161 185	186 210	211 235	236 260	261 310	311 360	361 410				
<b>H</b>	150	3)	2)	—	—	—	—	—	135	122	139	126
	200	3)	2)	2)	—	—	—	—	160	147	164	151
	250	—	3)	—	—	2)	—	—	185	172	189	176
	300	—	—	3)	—	—	2)	—	210	197	214	201
	350	—	—	—	3)	—	—	2)	235	222	239	226
	400 <sup>1)</sup>	—	—	—	—	3)	—	—	260	247	264	251

- 1) = drop valance not available  
 2) = inside dimensions on request  
 3) = observe the minimum widths!  
 H = projection

 = 2 folding arms, 2 brackets

 = 2 standard arms

 = 2 bespoke arms (surcharge)

dimensions in cm

Operation	standard	optional
crank handle	✓	—
spring-assisted crank handle	—	✓
Hard-wired motor	—	✓
silentec motor (optionally with an external io / RTS receiver)	—	—
radio-controlled motor io, 868 MHz	—	✓
radio-controlled motor RTS, 433 MHz	—	✓
radio-controlled motor RTS, 433 MHz with manual override	—	✓

### Coupled Awning

not available

Awning cover	fabric range no.	standard	optional	Shadeplus / drop valance	standard	optional
sunvas	301.. / 309..–315..	✓	—	height 150 cm or 210 cm <sup>1)</sup>	—	—
perla	370 ..	—	✓	maximum projection 350 cm	—	—
sunsilk	324.. / 325.. / 328.. / 369..	✓	—	crank handle	✓	—
perla FR	374.. / 375..	—	✓	Hard-wired motor	—	—
perfortex	331.. / 332..	—	—	radio-controlled motor io, 868 MHz	—	—
transolair	338..	—	—	radio-controlled motor RTS, 433 MHz	—	—
vuscreen Alu	317..	—	—	cover	sunvas / sunsilk / transolair / vuscreen Alu <sup>2)</sup>	
Soltis Perform 92	92-20..	—	—			
glass fibre screen	272..	—	—			
volant, height 15 cm		✓	—			

1) depending on the fabric width (fabric width 120 cm) with horizontal seam

2) vuscreen Alu: max. height 100 cm

Only available in plain seamless fabrics (oversized, fabric width > 120 cm) or in plains with a horizontal joint (fabric width 120 cm).

01  
02  
03  
04  
05  
06  
07  
08  
09  
10  
11  
12  
13  
14  
15  
16  
17

**Optional accessories**

manual drop valance
folding arm technology with bionic tendon
wall sealing profile (effective up to a maximum awning pitch of 25°); coverboard when fitted to the markilux panel, in one piece
infrared heater 2500 W
infrared heater 2500 W with integrated radio-controlled receiver 868 MHz io
LED spotline – light bar 110 × 70 mm with 5 W LED spotlights, width 180 cm / 3 spots or 300 cm / 5 spots
LED spotline io – light bar 110 × 70 mm with 5 W LED spotlights with integrated dimmable radio-controlled receiver, width 180 cm / 3 spots or 300 cm / 5 spots
automatic controls (light, wind, rain)

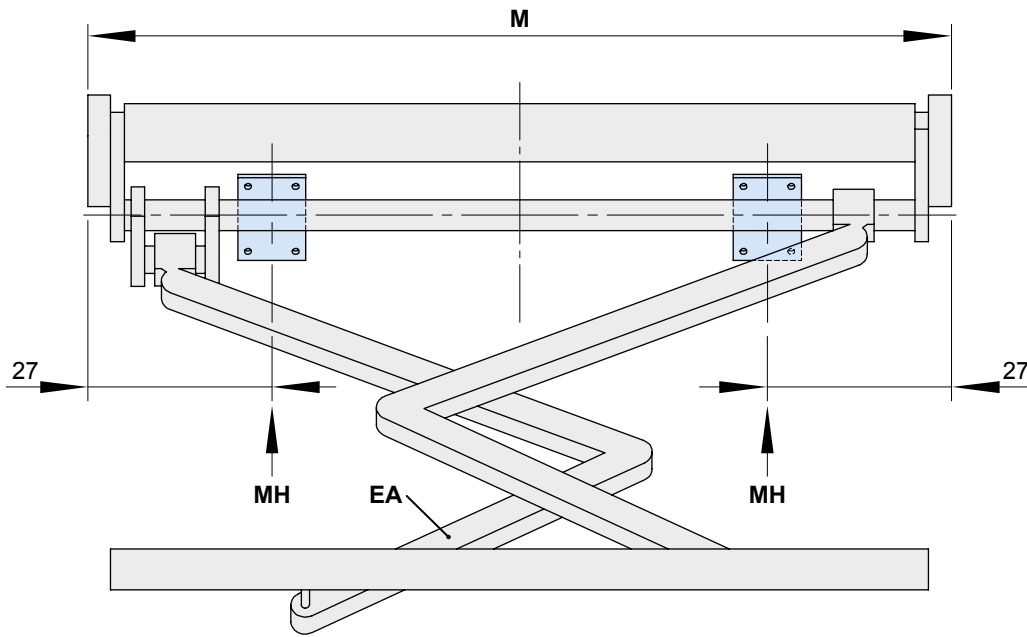
**N.B!** Important background information can be found in the chapter “Optional Accessories”.

**Fixture options**

wall bracket 100 mm	70867.
spreader plate A 430 × 160 × 12 mm	75326.
spreader plate B 300 × 400 × 12 mm	75325.
markilux panel 250 × 230 × 49 mm	76308.
markilux panel continuous	76380.
stand-off bracket wide 80–300 mm	77968.
top fixture bracket 90 mm	70868.
eaves fixture bracket 90 mm, 150 mm plate	71612.
eaves fixture bracket 90 mm, 270 mm plate	71659.
flat plate and angled bracket for eaves fixture, machine finish aluminium, 500 mm plate	716620
spreader plate 260 × 60 × 12 mm for eaves fixture bracket	75383.
eaves fixture bracket adjustable 7,5°–60°	71198.

## Bracket fixture range

Awning with 2 folding arms



dimensions in cm

		Overall awning width							
		160	185	210	235	260	310	360	410
Order dimensions		122	161	186	211	236	261	311	361
		160	185	210	235	260	310	360	410
BHT		No. of brackets   No. of fixing points							
W	10	2   6							
BP		A 2   16 B 2   8							
DE	9	2   8							
PA		2   8							
DA	9	2   8							

dimensions in cm

The **pull-out forces** necessary for determining the correct fixing materials necessary to meet wind resistance class 2 (Beaufort 5) can be found in the password-protected dealer area of the markilux.com website under "Pull-out Forces".

**BHT** = bracket width

**BP** = spreader plate A or B, to be positioned behind the folding arm

**DA** = eaves fixture bracket

**DE** = top fixture bracket

**EA** = deep folding-arm (opposite of the drive side)

**M** = *order dimension* = awning width

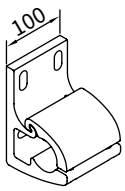
**MH** = bracket centre

**PA** = markilux panel, fixture profile, width 250 mm

**W** = face fixture bracket

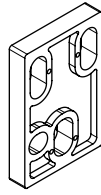
# Face fixture

## Fixtures, fittings and accessories



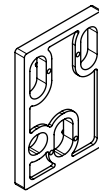
face fixture bracket  
100 mm

**70867.**



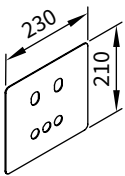
spacer plate  
100 × 150 × 20 mm  
**N.B!**  
Stack to a max. height of 200 mm

**758831**



spacer plate  
100 × 150 × 12 mm

**758841**



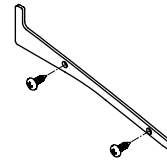
cover plate  
for spacer plate  
and stand-off brackets  
in the case of external  
insulation  
230 × 210 × 2 mm

**71843.**



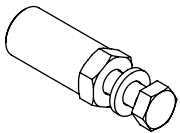
Wall sealing profile  
incl. brush seal  
when installing with a  
coverboard  
available by the metre

**76385. and 704241**



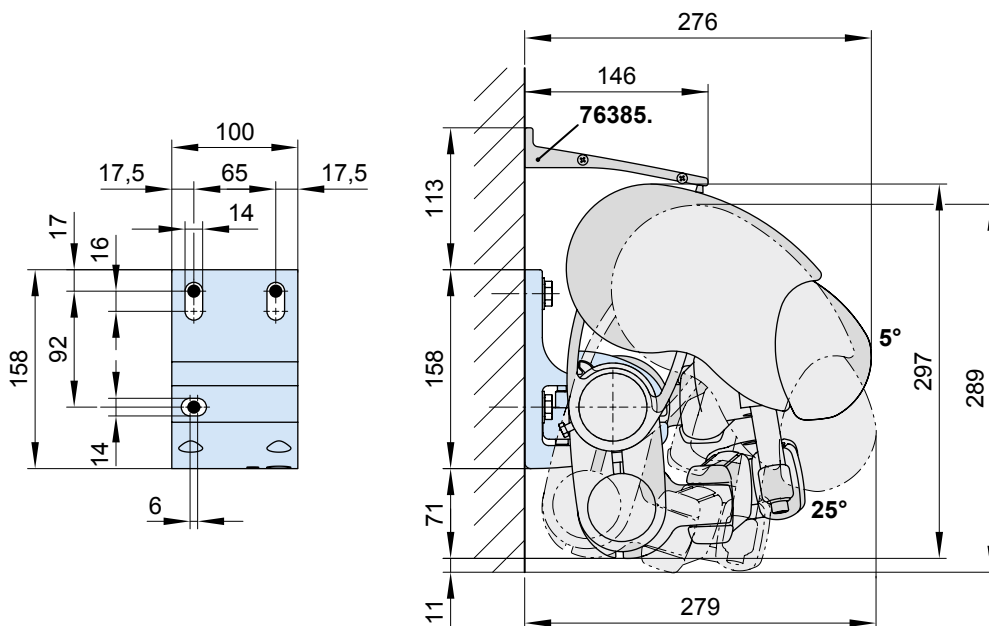
1 side plate including  
2 pan-head self-tapping  
screws for wall sealing  
profile

**76386. and 2 × 735611**



bolt reduction  
assembly  
pack 10 pcs

M 16 → M 12 | M 16 → M 10 | M 12 → M 10 | M 10 → M 10

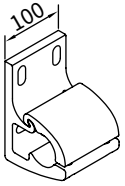


**76385.** = wall sealing profile (standard width = awning width (M); up to a maximum awning pitch of 25°)

dimensions in mm

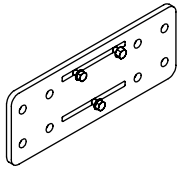
# Face fixture with spreader plate A

Fixtures, fittings and accessories



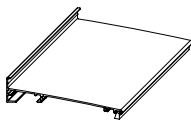
face fixture bracket  
100 mm

**70867.**



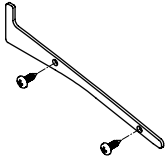
spreader plate A  
face fixture  
430 × 160 × 12 mm

**75326.**



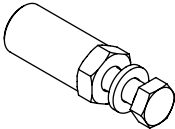
Wall sealing profile  
incl. brush seal  
when installing with a  
coverboard  
available by the metre

**76385. and 704241**



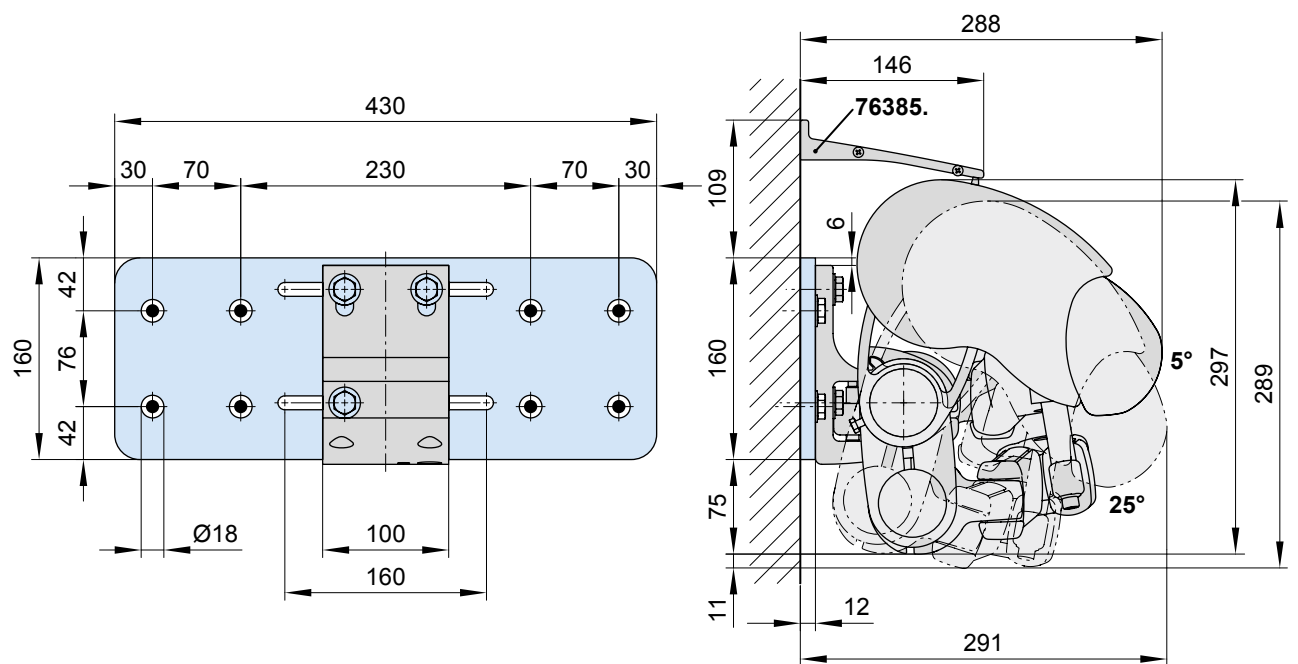
1 side plate including  
2 pan-head self-tapping  
screws for wall sealing  
profile

**76386. and 2 × 735611**



bolt reduction  
assembly  
pack 10 pcs

M 16 → M 12 | M 16 → M 10 | M 12 → M 10 | M 10 → M 10



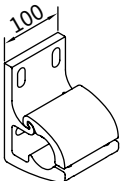
**76385.** = wall sealing profile (standard width = awning width (M); up to a maximum awning pitch of 25°)

dimensions in mm

01  
02  
03  
04  
05  
06  
07  
08  
09  
10  
**11**  
12  
13  
14  
15  
16  
17

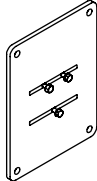
# Face fixture with spreader plate B

## Fixtures, fittings and accessories



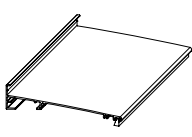
face fixture bracket  
100 mm

**70867.**



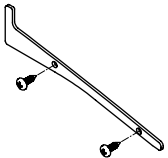
spreader plate B  
face fixture  
300 × 400 × 12 mm

**75325.**



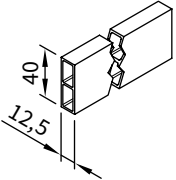
Wall sealing profile  
incl. brush seal  
when installing with a  
coverboard  
available by the metre

**76385. and 704241**



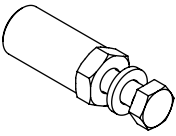
1 side plate including  
2 pan-head self-tapping  
screws for wall sealing  
profile

**76386. and 2 × 735611**



stand-off strip for  
wall sealing profile  
available by the metre

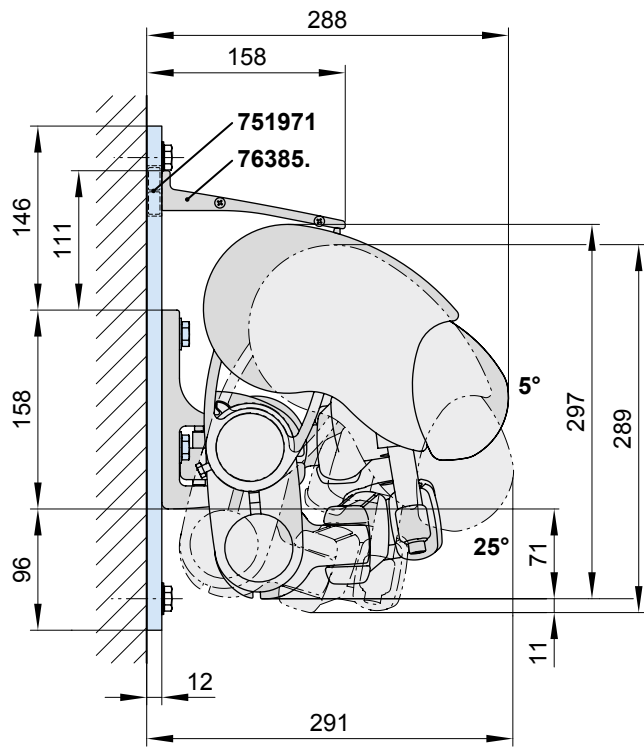
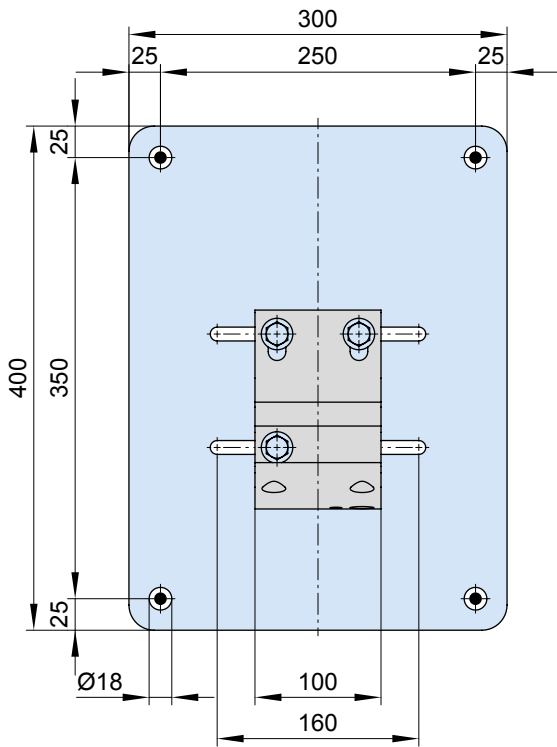
**751971**



bolt reduction  
assembly  
pack 10 pcs

M 16 → M 12 | M 16 → M 10 | M 12 → M 10 | M 10 → M 10

**11**



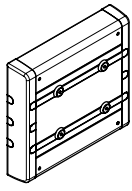
**751971** = stand-off strip for wall sealing profile

**76385.** = wall sealing profile (standard width = awning width (M); up to a maximum awning pitch of 25°)

dimensions in mm

## Face fixture with markilux panel 250 mm

### Fixtures, fittings and accessories

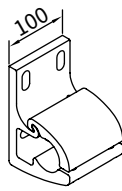


markilux panel 250 mm  
fixture profile

with decorative profiles  
and end caps

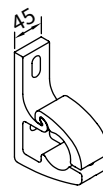
250 × 230 × 49 mm

**76308.**



face fixture bracket  
100 mm

**70867.**

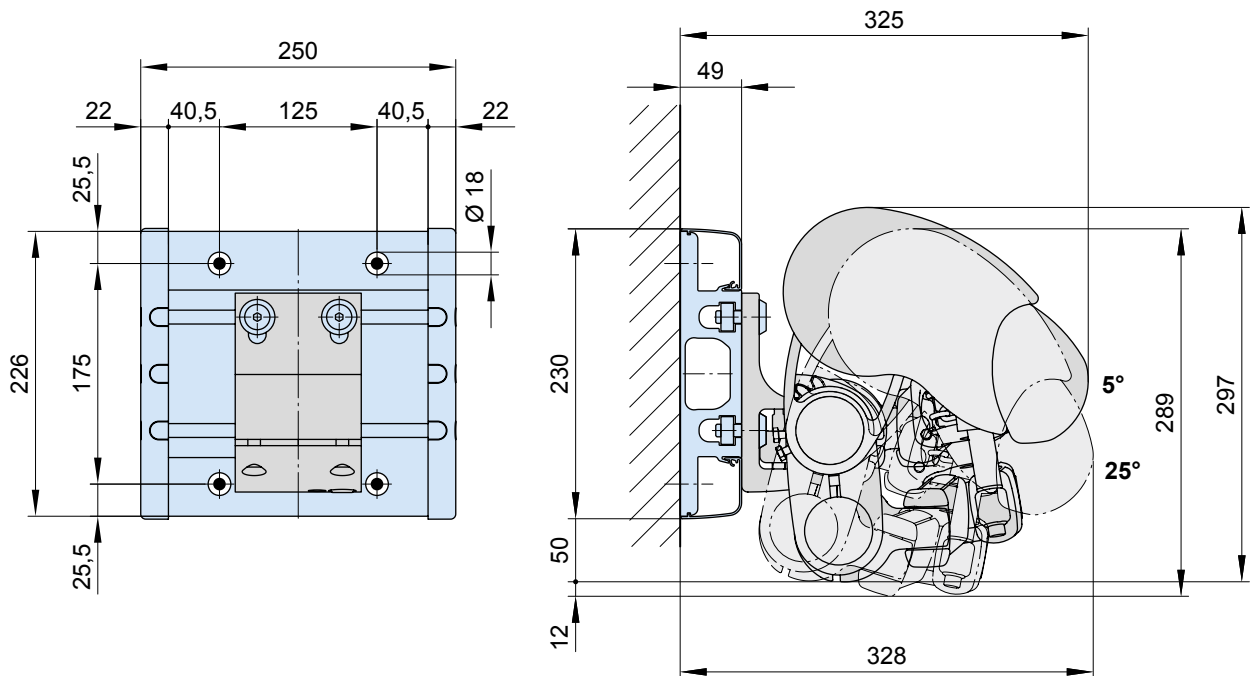


face fixture bracket

for central fixture,  
depending on size

45 mm

**71813.**

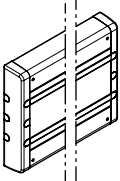
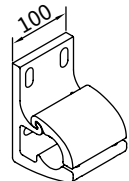
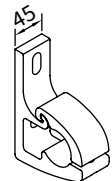
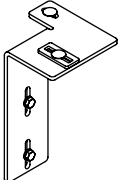
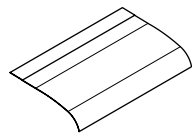
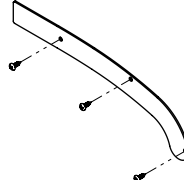


dimensions in mm

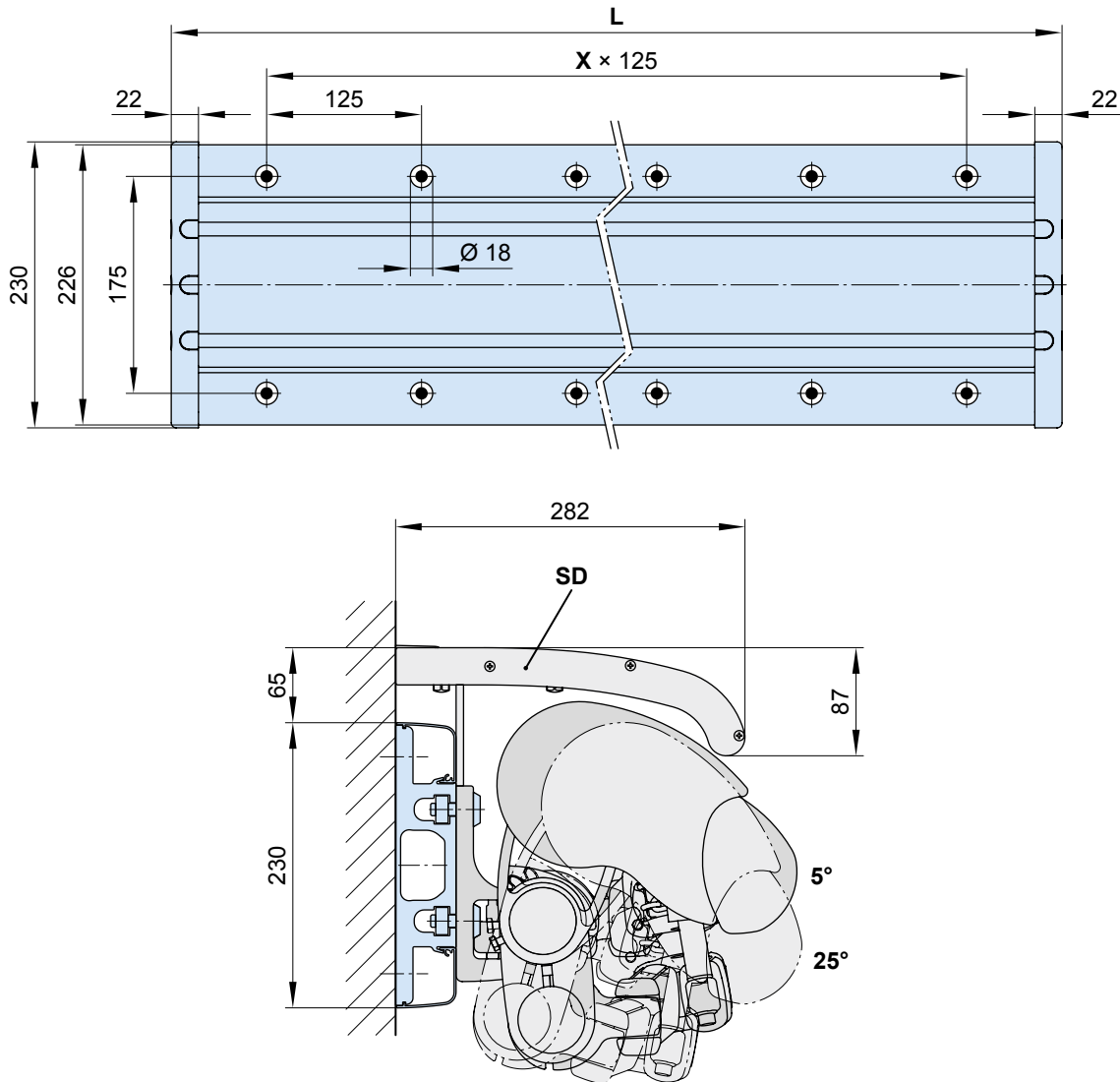
01  
02  
03  
04  
05  
06  
07  
08  
09  
10  
**11**  
12  
13  
14  
15  
16  
17

# Face fixture with markilux panel continuous

## Fixtures, fittings and accessories

 <p>markilux panel 250 mm fixture profile with decorative profiles and end caps continuous</p> <p><b>76380.</b></p>	 <p>face fixture bracket 100 mm</p> <p><b>70867.</b></p>	 <p>face fixture bracket for central fixture, depending on size 45 mm</p> <p><b>71813.</b></p>
 <p>Coverboard brackets</p> <p><b>76390.</b></p>	 <p>Coverboard incl. additional profile and rubber sealing strip</p> <p><b>72015., 72019., 75970.</b></p>	 <p>End cheeks for the coverboard, 282 × 87 × 2 mm and 3 fillister head self-tapping screws</p> <p><b>76469. und 3 × 735611</b></p>

As a **continuous fixture profile**, the markilux panel will always be supplied to order on the basis of a technical drawing prepared in the factory in accordance with the awning specification.



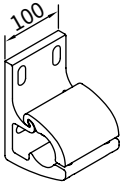
**L** = individual width, max. 7000 mm  
**SD** = coverboard

**X** = fixing point separation, **by way of example**

dimensions in mm

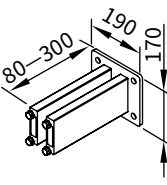
# Face fixture with stand-off bracket

Fixtures, fittings and accessories



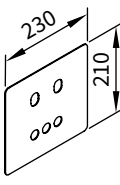
face fixture bracket  
100 mm

**70867.**



stand-off bracket  
for face fixture bracket  
70867.

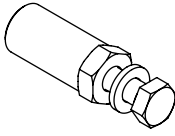
**77968.**



cover plate  
for spacer plate  
and stand-off brackets  
in the case of external  
insulation

230 × 210 × 2 mm

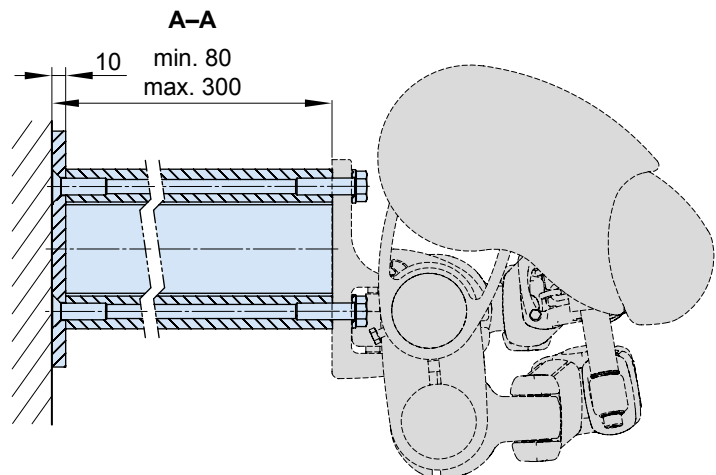
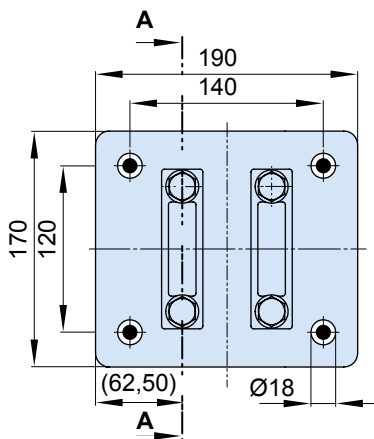
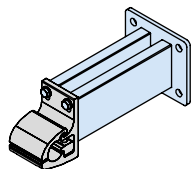
**71843.**



bolt reduction  
assembly  
pack 10 pcs

M 16 → M 12 | M 16 → M 10 | M 12 → M 10 | M 10 → M 10

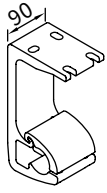
- 01
- 02
- 03
- 04
- 05
- 06
- 07
- 08
- 09
- 10
- 11**
- 12
- 13
- 14
- 15
- 16
- 17



dimensions in mm

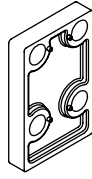
01 **Top fixture**

02 Fixtures, fittings and accessories



top fixture bracket  
90 mm

05 **70868.**



spacer plate for  
top fixture  
90 × 140 × 20 mm  
**N.B!**  
stack to a max. height of  
200 mm

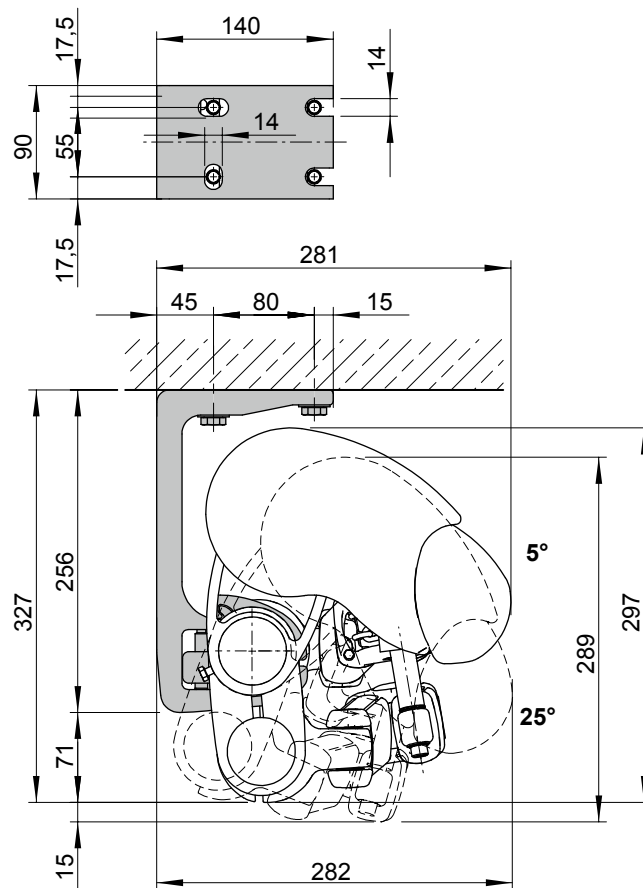
**716311**



spacer plate for  
top fixture  
90 × 140 × 12 mm

**716411**

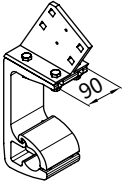
11



dimensions in mm

# Eaves fixture

## Fixtures, fittings and accessories

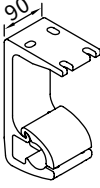


eaves fixture bracket  
90 mm

complete set

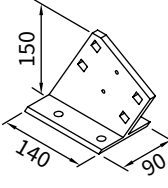
height of flat  
plate: 150 mm

**70871.**



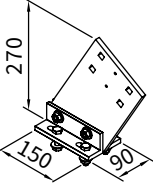
top fixture bracket  
90 mm

**70868.**



eaves fixture bracket  
flat plate  
150 mm

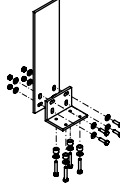
**71612.**



eaves fixture bracket  
270 mm plate

please refer to "Eaves  
fixture with spreader /  
backing plate"

**71659.**

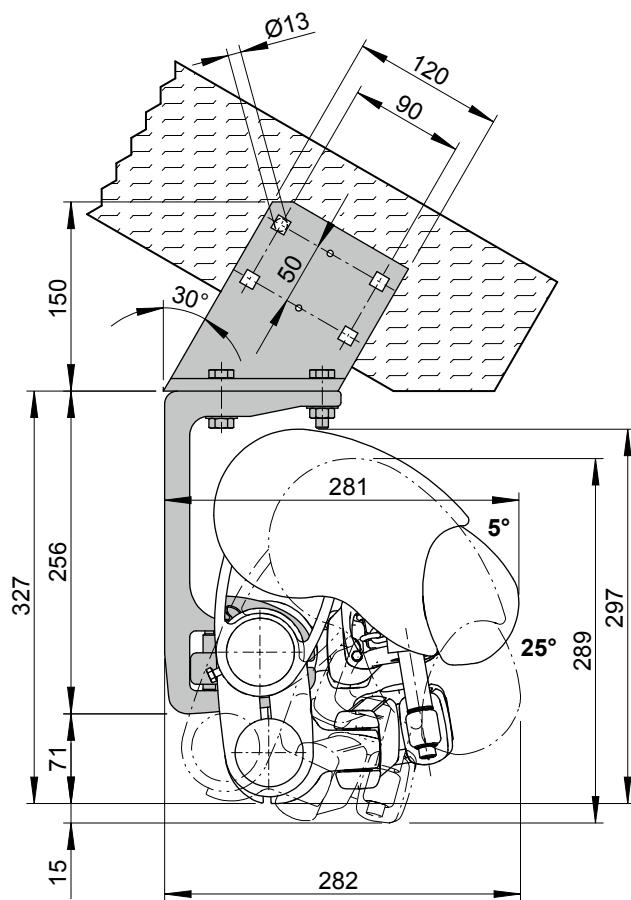


flat plate and angled  
bracket for eaves fixture

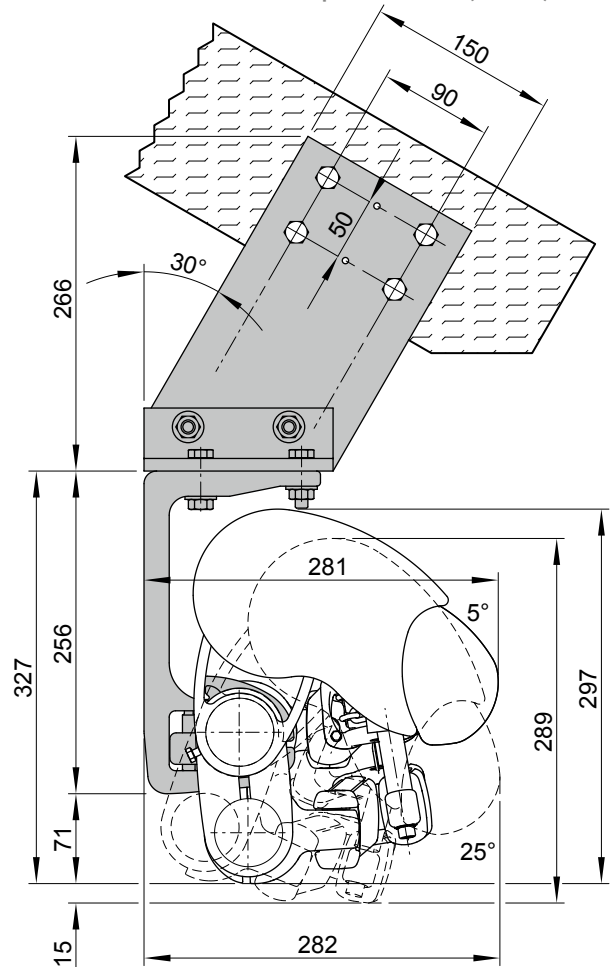
machine finish

**716620**

with eaves fixture bracket flat plate 150 mm (71612.)



with eaves fixture bracket flat plate 270 mm (71659.)

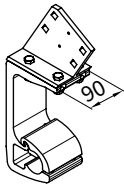


dimensions in mm

01  
02  
03  
04  
05  
06  
07  
08  
09  
10  
**11**  
12  
13  
14  
15  
16  
17

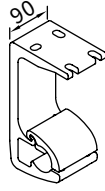
# Eaves fixture with additional plate

## Fixtures, fittings and accessories



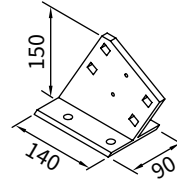
eaves fixture bracket  
90 mm  
complete set  
height of flat plate: 150 mm

**70871.**



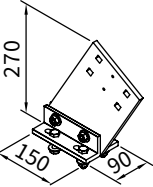
top fixture bracket  
90 mm

**70868.**



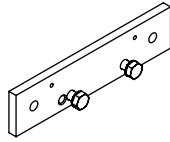
eaves fixture bracket flat plate  
150 mm

**71612.**



eaves fixture bracket  
270 mm plate  
please refer to "Eaves fixture with spreader / backing plate"

**71659.**

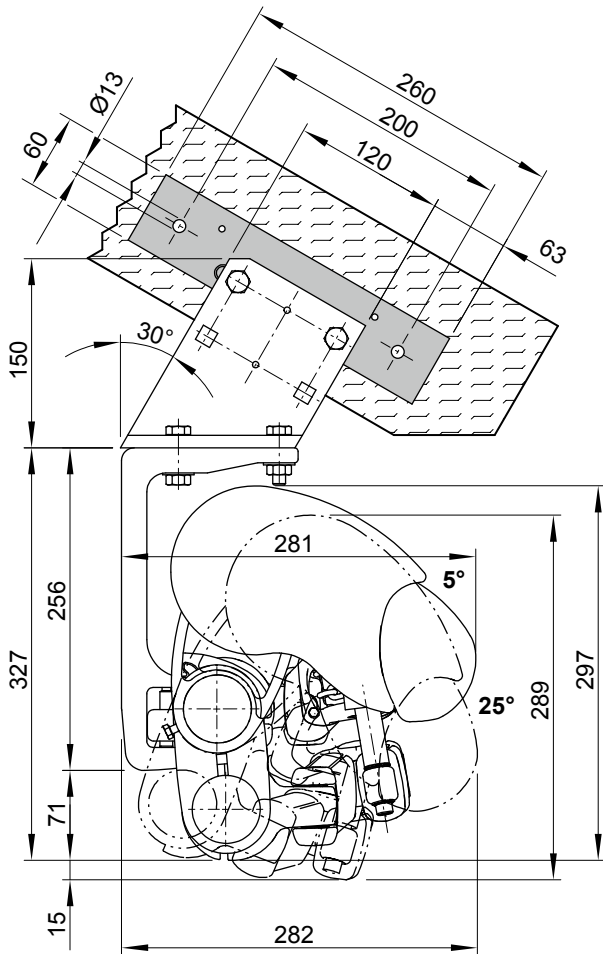


supplementary flat plate eaves fixture  
260 × 60 × 12 mm  
please refer to "Eaves fixture with spreader / backing plate"

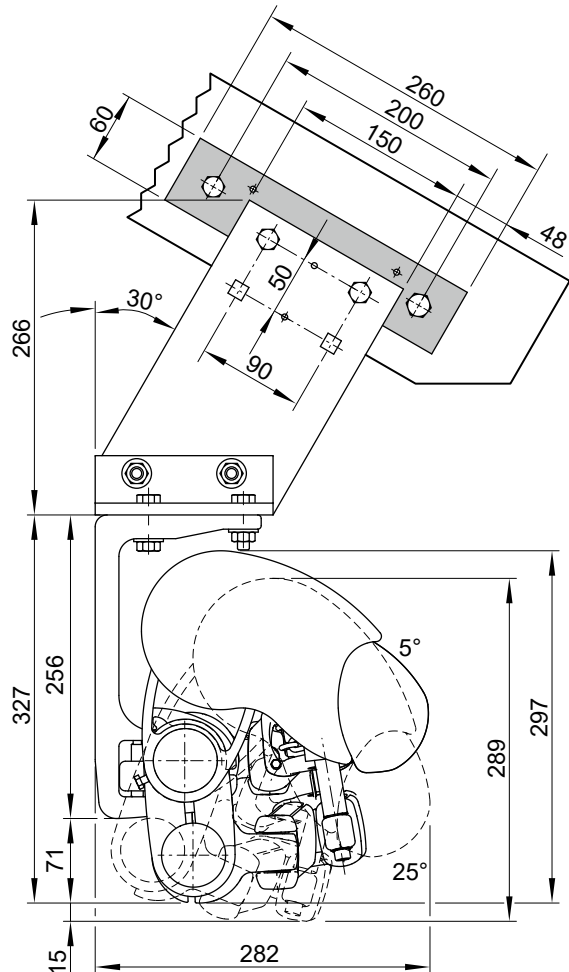
**75383.**

**11**

with eaves fixture bracket 150 mm (70871.)



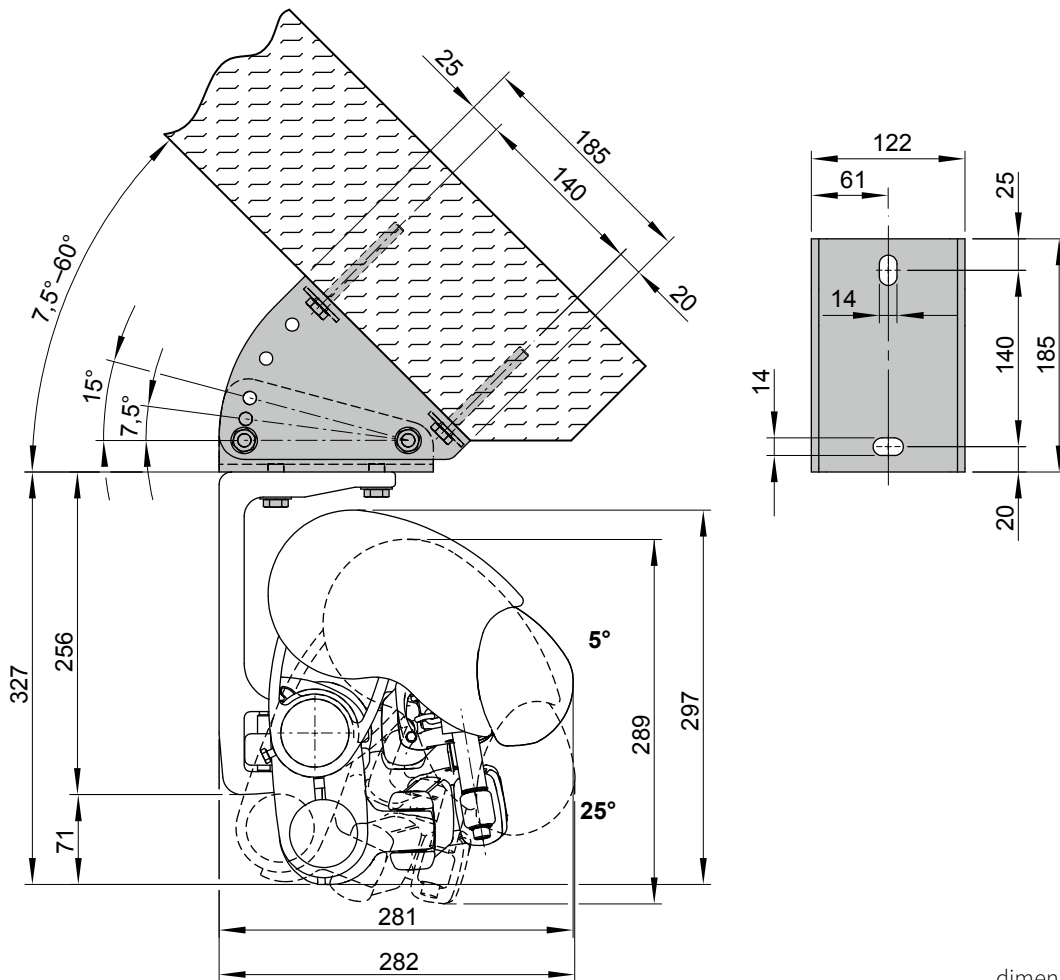
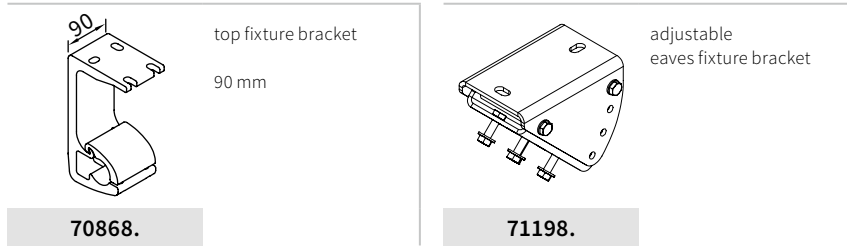
with eaves fixture bracket 270 mm (71659.)



dimensions in mm

# Eaves fixture with adjustable bracket

Fixtures, fittings and accessories

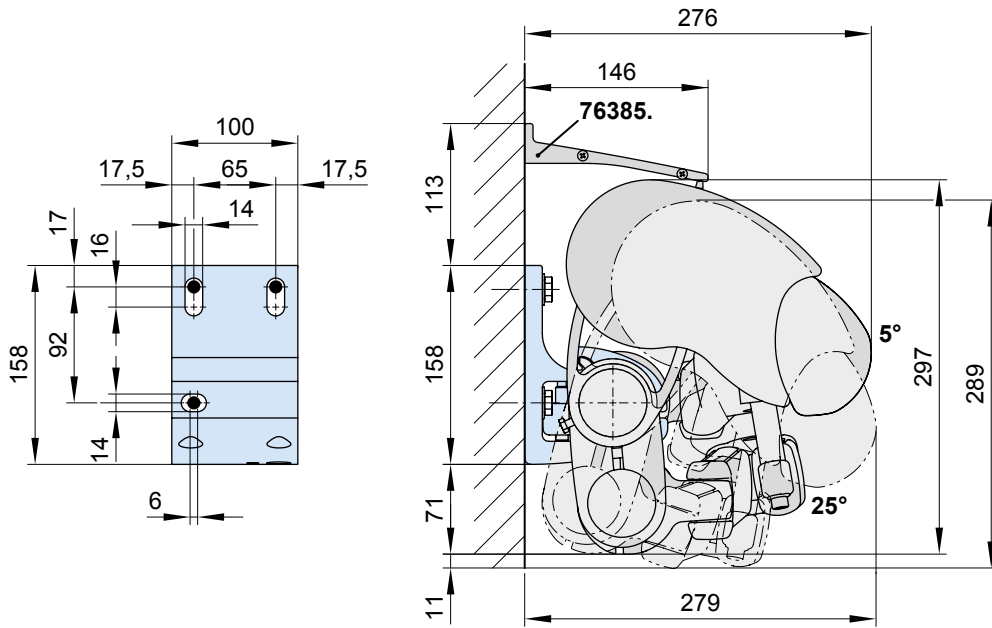


dimensions in mm

- 01
- 02
- 03
- 04
- 05
- 06
- 07
- 08
- 09
- 10
- 11**
- 12
- 13
- 14
- 15
- 16
- 17

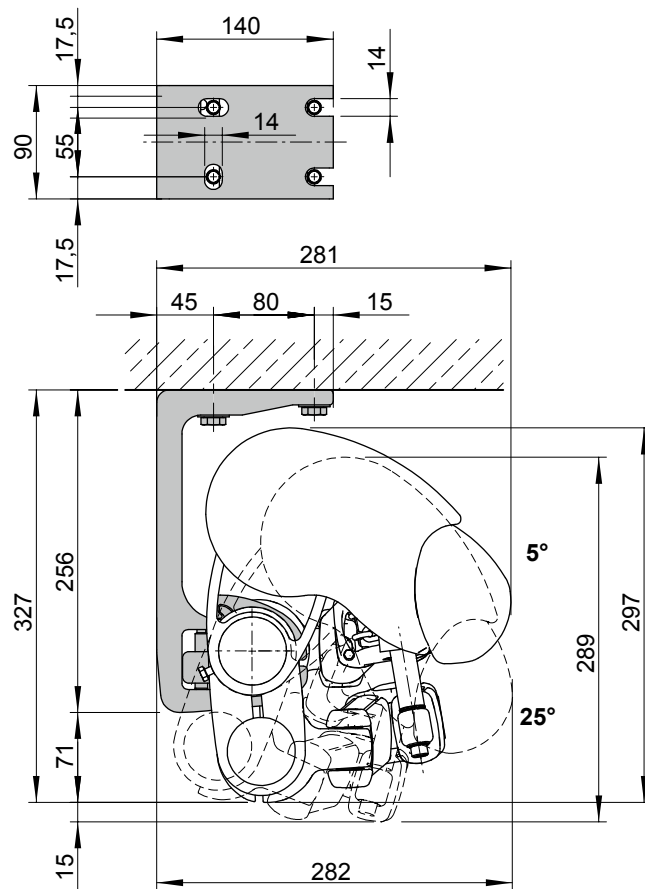
01 **Awning with shadeplus**

02 Face fixture



11

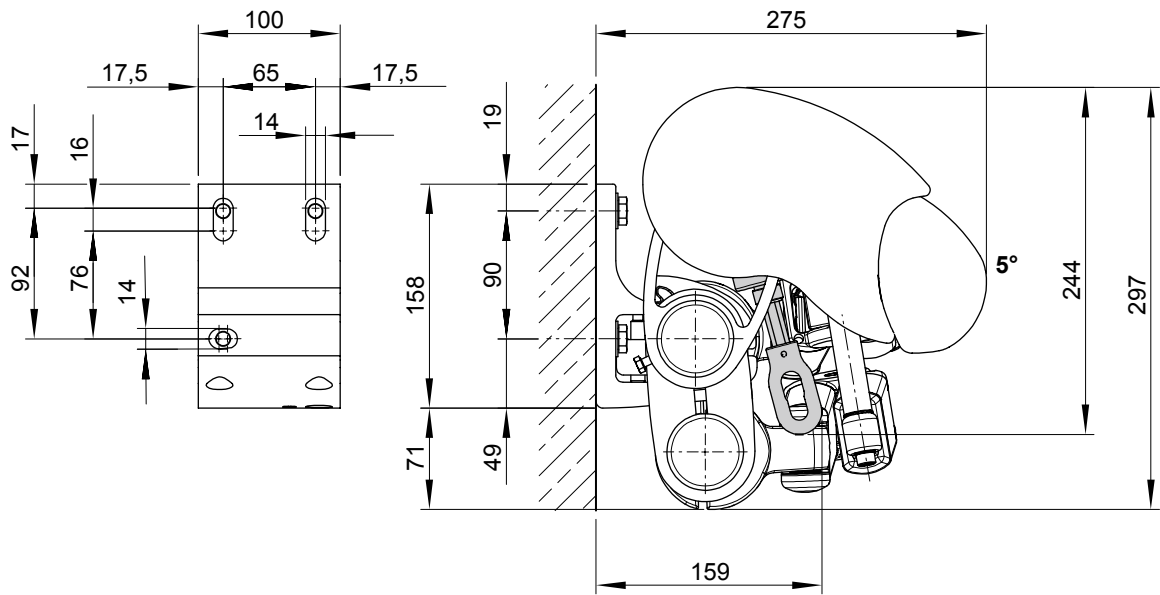
14 Top fixture



76385. = wall sealing profile (standard width = awning width (M); up to a maximum awning pitch of 25°)

dimensions in mm

## Face fixture, manual operation

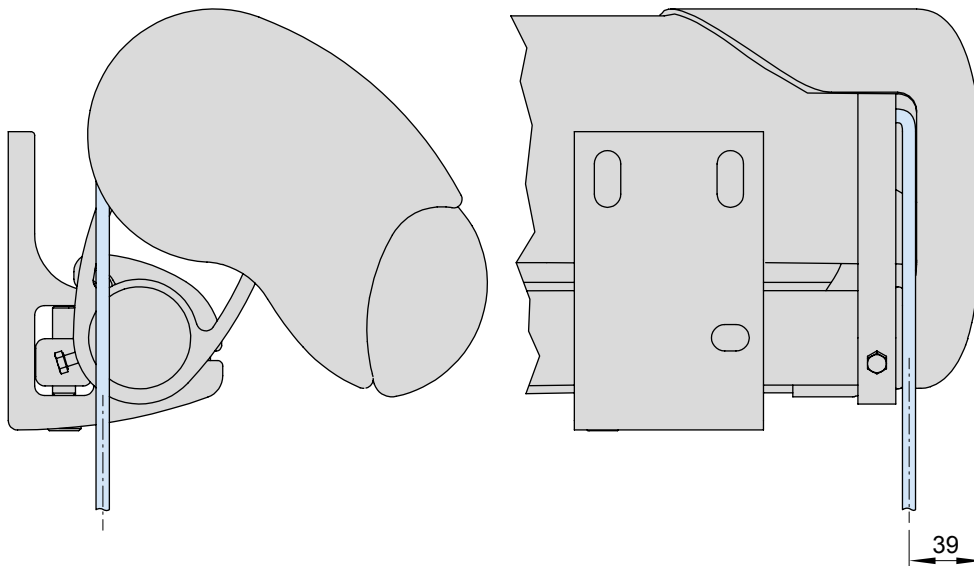


01  
02  
03  
04  
05  
06  
07  
08  
09  
10

**11**

12  
13  
14  
15  
16  
17

## Motor cable exit point



dimensions in mm

01 **Face fixture, radio-controlled motor with manual override**

Gearbox eye positions

02

03

04

05

06

07

08

09

10

**11**

12

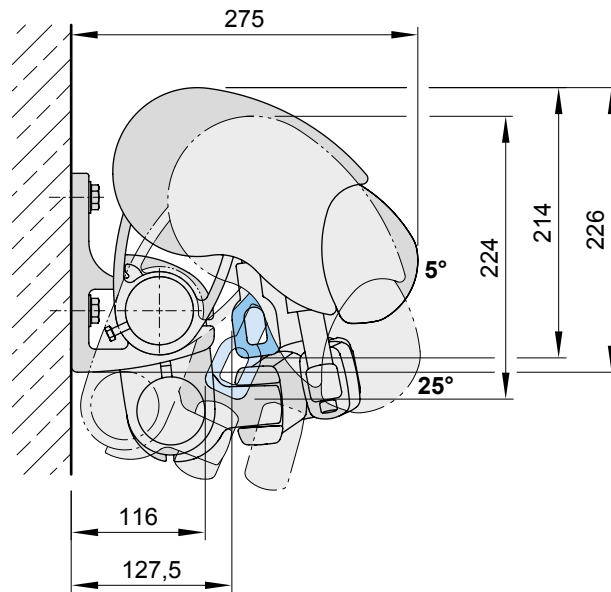
13

14

15

16

17



dimensions in mm