



Above glass awning

markilux 8800 / 8800 tracfix

Modern, timeless design and technology thought through to the very last detail – the extremely reliable shading solution for large areas.



markilux.com

markilux
safe timeless beautiful

Product Characteristics

Wind resistance class 3
Beaufort 6 → 38–48 km/h → 10.5–13.4 m/s → 24–30 mph

01
02
03
04
05
06
07
08
09
10
11
12
13
14
15
16
17
18
19



1 bottom fixture



1 face fixture



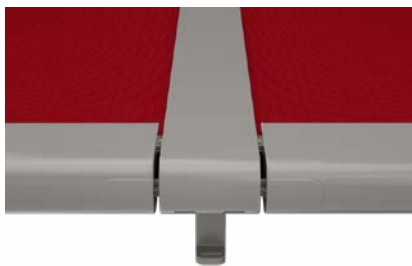
2 tracfix cover guidance – no gap between cover and track¹⁾



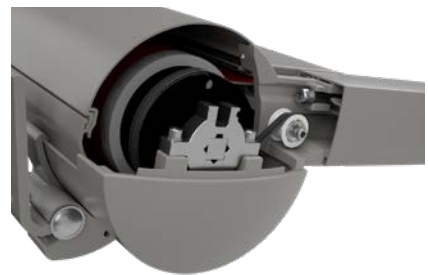
3 when extended, the front profile finishes flush with the end of the guide tracks



3 coupling track



4 maintenance opening in the cassette



4 awning retracted, all round cover protection



1) Optional accessories

Product Characteristics

Description

- exterior awning for conservatories, glass canopies and large skylights
- the ingenious tensioning system and the sturdy design allow areas of up to 36 m² to be shaded by one awning (with tracfix system 30 m²) – up to 5 awnings can be coupled together

Special features

- fully encompassing cassette that protects the cover perfectly
- the awning cover is bonded with stabilising vertical panel joints – in the case of the series sunvas, sunsilk, sunbow and perla FR the standard panel width is 60 cm (perfortex 120 cm / Soltis Perform 92 88,5 cm / transolair 84 cm) – in order to achieve the optimum overall cover tension and stability
- tracfix optional: the continuous lateral cover guidance system that leaves no gap between the cover and guide tracks – gives improved wind stability and a cleaner appearance
- option of a silentec motor – motor noise is appreciably reduced
- tried-and-tested tensioning system with drive belts and integrated gas pistons – delivers optimum cover tension – in any phase of extension
- the broad range of brackets with patented clip-on system offers individual fixture solutions

Dimensions

- single unit: 60–700 cm in width, maximum extension 700 cm (depending on the width)
- maximum dimensions, width × extension: 500 × 700 cm / 550 × 650 cm / 600 × 600 cm / 650 × 500 cm / 700 × 450 cm (without tracfix system)
- maximum dimensions, width × extension: 500 × 600 cm / 550 × 500 cm / 600 × 450 cm (with tracfix system)
- intermediate sizes are available

Roller tube and lateral bearings

- round roller tube Ø95 mm with keyway, galvanised steel – excellent stability, ensures near perfect cover performance even at the largest widths
- the roller tube bearing is made of die-cast aluminium

Awning profiles

- extruded aluminium, in façade quality, powder coated
- cassette profile in two pieces, round, Ø 187 mm
- guide tracks angular, width × height 60 mm × 70 mm (coupled unit 116 × 70 mm)
- front profile rounded at the front, depth × height 150 mm × 70 mm

End caps

- in order to achieve the optimum overall cover tension and stability
- the top maintenance cover is made of high-quality plastic, powder coated
- the front profile end caps are made of high-quality plastic, powder coated

Fixture brackets

- extruded aluminium, powder coated
- cassette brackets: bottom fixture, face fixture, top fixture
- brackets for the guide tracks: stand-off brackets for bottom fixture, lateral fixture, reveal fixture
- standard bracket heights: 100 mm / 140 mm / 100–500 mm (bespoke heights can be ordered)
- track-only fixture of the awning is possible up to a fixture width of 600 cm without any housing support
- other accessories are available

01 **Frame colours**02 **markilux frame colours without surcharge**

03 traffic white, RAL 9016



metallic aluminium, RAL 9006



grey brown, similar to RAL 8019

07 off-white textured finish, 5233 ¹⁾stone grey metallic, 5215 ¹⁾anthracite metallic, 5204 ¹⁾12 havana brown textured finish, 5229 ¹⁾

13

14

15

16

17

Non-standard powder-coated finish

18 Bespoke frame colours incur a surcharge – matt, metallic, finely textured and pearl finishes as well as other colour ranges (DB, Tiger etc.) on request. All frame colours are available at a surcharge with enhanced corrosion protection.

19 Colours may differ slightly from those depicted in both hue and finish.

1) textured finish

Dimensions and configuration options

Single unit

Order dimensions	Awning fixture width												Minimum fixture width			
	150	200	250	300	350	400	450	500	550	600	650 ¹⁾	700 ¹⁾	Hardwired motor	Radio-controlled motor		
	60	151	201	251	301	351	401	451	501	551	601	651	60 [73]	70 [83]		
	150	200	250	300	350	400	450	500	550	600	650	700				
Overall width	+ 10															
H	150															
	200															
	250															
	300															
	350															
	400 ²⁾
	450 ²⁾
	500 ²⁾	—
	550 ²⁾			—	—
	600 ²⁾	—	—		
650 ²⁾	—	—			
700 ²⁾	—	—			

- 1) = depending on the fixture combination, an additional central cassette support is required from a fixture width of 601 cm and a central support for any cover support tube from a fixture width of 451 cm
- 2) = from an extension of 401 cm an additional track bracket per track is required
- = 1 cover support tube, if unit is without tracfix
- = 2 cover support tubes, if unit is without tracfix
- [...] = dimensions in the case of tracfix units
- H = projection

= tracfix (optional)

= tracfix not available

Dimensions in cm

Operation	standard	optional
crank handle	—	—
hard-wired motor	✓	—
silentec motor (optionally with an external io / RTS receiver)	—	✓
radio-controlled motor io, 868 MHz	—	✓
radio-controlled motor RTS, 433 MHz	—	✓

Coupled awnings
2-5 fields, 1 motor per field
alternatively 2 fields 1 motor / 3 fields 2 motors / 4 fields 2 motors
maximum size per field: see "single unit" dimensions

General notes
 Different field extensions are available in a coupled awning. The rolling up behaviour of the covers may vary in coupled awnings that have different field sizes. This does not effect the functionality of the awning or shorten the service life of the covers.

Awning cover	fabric pattern no.	standard	optional
sunvas ^{1) 6)}	300..-315..	✓	—
sunsilk ^{1) 6)}	324.. / 328.. / 369..	✓	—
sunbow ^{1) 6)}	411..-427..	✓	—
smart art ¹⁾	340..	—	✓
perla FR ^{1) 5)}	371.. / 372..	—	✓
perfotex ²⁾	331.. / 332..	✓	—
transolair ³⁾	338..	—	✓
transolair (120 cm) ¹⁾	339..	—	✓
Soltis Perform 92 ⁴⁾	92-..	—	✓

Standard fabric panel widths

- 1) 60 cm
- 2) 120 cm
- 3) 84 cm
- 4) 88,5 cm
- 5) Only in tracfix units

6) In the case of striped patterns, a symmetrical pattern repeat at every second seam is not possible.

Shadeplus
not available

Optional accessories
tracfix – cover guidance system holding the cover neatly in the guide rails
storm safety clip for the cassette
wall sealing profile
several motors in a coupled awning, can be operated independently
automatic controls (light, wind, rain)

N.B. Important background information can be found in the chapter "Optional Accessories"

Dimensions and configuration options

Coupled unit, 2 fields ⁴⁾

		Awning fixture width										
		500 ³⁾	600 ³⁾	700 ³⁾	800	900	1000	1100	1200	1300	1400	
Order dimensions		401	501	601	701	801	901	1001	1101	1201	1301	
		500	600	700	800	900	1000	1100	1200	1300	1400	
Overall width		+ 10										
H	150											
	200											
	250											
	300											
	350											
	400	•	•	•	•	•	•	•	•	•	•	•
	450	•	•	•	•	•	•	•	•	••	••	••
	500	•	•	•	•	•	•	•	••	••	••	—
	550	•	•	•	•	•	•	••	••	••	—	—
	600	•	•	•	•	•	••	••	••	••	—	—
	650	•	•	•	•	•	••	••	••	—	—	—
700	••	••	••	••	••	••	••	—	—	—	—	

Coupled unit, 3 fields ⁴⁾

		Awning fixture width															
		600 ³⁾	700 ³⁾	800	900	1000	1100	1200	1300	1400	1500	1600	1700	1800	1900	2000	2100
Order dimensions		551	601	701	801	901	1001	1101	1201	1301	1401	1501	1601	1701	1801	1901	2001
		600	700	800	900	1000	1100	1200	1300	1400	1500	1600	1700	1800	1900	2000	2100
Overall width		+ 10															
H	150																
	200																
	250																
	300																
	350														•	•	•
	400	•	•	•	•	•	•	•	•	•	•	•	•	•	•	•	•
	450	•	•	•	•	•	•	•	•	•	•	•	•	••	••	••	••
	500	•	•	•	•	•	•	•	•	•	•	•	••	••	••	••	•• ²⁾
	550	•	•	•	•	•	•	•	•	•	••	••	••	••	••	—	—
	600	•	•	•	•	•	•	•	•	••	••	••	••	••	••	—	—
	650	•	•	•	•	•	•	•	•	••	••	••	••	••	•• ¹⁾	—	—
700	••	••	••	••	••	••	••	••	••	••	••	—	—	—	—	—	

- 1) = maximum fixture width of 1650 cm
- 2) = maximum fixture width of 1950 cm
- 3) = the cassette will be supplied in one piece as standard. If, for transportation or installation reasons, the cassette needs to be split, please note this explicitly when ordering.
- 4) = maximum field dimensions: see dimension overview for a single unit
- = 1 cover support tube, if unit is without tracfix
- = 2 cover support tubes, if unit is without tracfix
- H = **order dimension** = extension

= tracfix (optional)

= tracfix not available

dimensions in cm

Fixtures, fittings and accessories

Bottom fixture brackets, cassette

bottom fixture cassette bracket for mounting on frame
left

76061.

bottom fixture cassette bracket for mounting on frame
right

76062.

cassette coupling bracket for the cassette bottom fixture

76180.

cassette bracket for bottom reveal fixture
left

76077.

cassette bracket for bottom reveal fixture
right

76078.

cassette support for track-only fixture
100 mm

76183.

cassette support for track-only fixture
140 mm

76184.

cassette coupling bracket for track-only fixture, rigid
fixture type 31 and 32

76069.

raised cassette bracket foot can be tilted backwards by up to 45°
head of cassette fixture bracket can be tilted forwards by up to 45°
left

76067.

raised cassette bracket foot can be tilted backwards by up to 45°
head of cassette fixture bracket can be tilted forwards by up to 45°
right

76068.

raised cassette bracket foot can be tilted backwards by up to 45°
head of cassette fixture bracket can be tilted forwards by up to 45°
for coupling point bottom fixture

76198.

Cassette fixture bracket face/top

face fixture cassette bracket, left
pitch adjustment range 5°-45°

76063.

face fixture cassette bracket, right
pitch adjustment range 5°-45°

76064.

coupling cassette bracket, central
pitch adjustment range 5°-45°

76181.

face fixture cassette bracket, wide, left
pitch adjustment range 5°-45°

76231.

face fixture cassette bracket, wide, right
pitch adjustment range 5°-45°

76232.

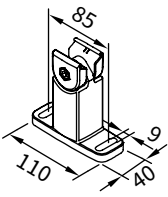
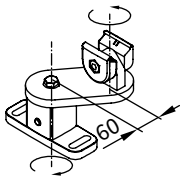
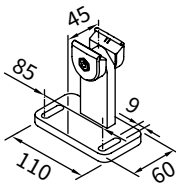
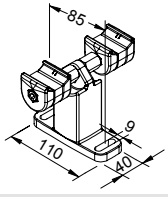
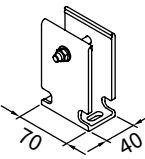
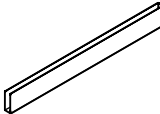
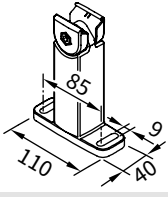
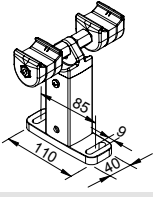
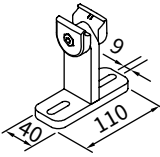
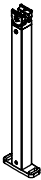
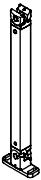
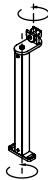
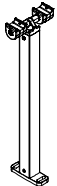
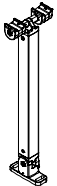
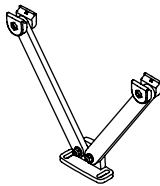
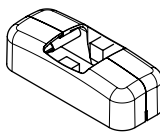
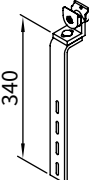
top fixture cassette bracket right / left
pitch adjustment range 5°-20°

77058.

01
02
03
04
05
06
07
08
09
10
11
12
13
14
15
16
17
18
19

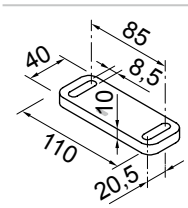
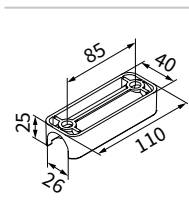
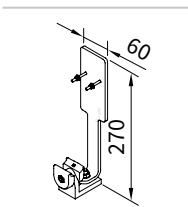
01 **Fixtures, fittings and accessories**

02 **Track bracket**

03		track bracket, with adjustable head 100 mm		windmill track bracket 100 mm		track bracket with offset footplate 100 mm
04	76046.		76054.		76199.	
05						
06		double track bracket with adjustable head 100 mm		track bracket for track-only fixture, rigid 100 mm		track bracket for track-only fixture, rigid by the metre, undrilled, 100 mm maximum length 6 mm
07	76191.		76017.		76013.	
08						
09		track bracket, with adjustable head 140 mm		double track bracket with adjustable head 140 mm		track bracket for conservatory transom fixture 100 mm
10	76048.		76192.		76055.	
11						
12		track bracket, with adjustable head 140-500 mm		track bracket, with adjustable head and foot 200-500 mm		universal track bracket with adjustable head 140-500 mm
13	76047.		76045.		76053.	
14						
15		double track bracket with adjustable head 140-500 mm		double track bracket with adjustable head and foot 200-500 mm		vario-V bracket for track fixture
16	76193.		76194.		76052.	
17						
18		covering cap for square track bracket standard accessory for bracket		flat track bracket with adjustable head for lateral guide track fixture		
19	2 x 76718.		76049.			

Fixtures, fittings and accessories

Accessories

 <p>angled mounting bracket</p> <p>76098.</p>	 <p>angled mounting bracket 76098. including coupling bolts</p> <p>76099.</p>	 <p>adapter plate for track bracket 110 × 60 × 10 mm</p> <p>78158.</p>
 <p>adapter plate for track bracket 110 × 60 × 10 mm</p> <p>78165.</p>	 <p>spacer plate for track bracket 110 × 40 × 10 mm</p> <p>78570.</p>	 <p>track bracket accessory width 14 mm for direct assembly on conservatory rafters</p> <p>76804.</p>
 <p>track bracket accessory width 25 mm for direct assembly on conservatory rafters</p> <p>76805.</p>	 <p>fixture bracket for light and / or wind and/or rain sensor</p> <p>76050.</p>	 <p>bracket for sun and/or wind sensor io</p> <p>76723.</p>
 <p>angled bracket to prevent deflection of the cover support tube for bracket height 100 mm</p> <p>76065.</p>	 <p>storm safety clip</p> <p>76235.</p>	 <p>storm safety bracket for the cassette (recommended in windy locations and as an additional safety measure for the cassette)</p> <p>76197.</p>
 <p>diagonal tensioning kit 4 wire tensioners, 1 tensioning wire (stainless steel)</p> <p>71790.</p>	 <p>support bracket to prevent deflection of the cover support tube can be shortened to between 70–320 mm (with clamp plate)</p> <p>71780.</p>	

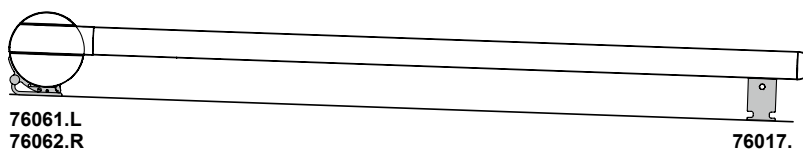
01
02
03
04
05
06
07
08
09
10
11
12
13
14
15
16
17
18
19

01 **Fixture types**

Bottom fixture

02

03 **11**

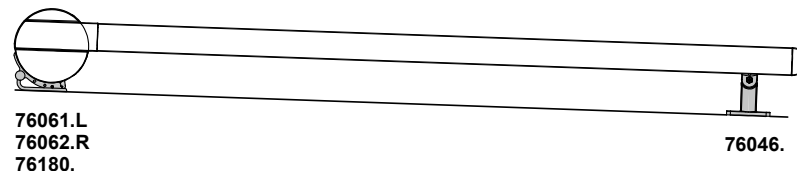


04

05

06

07 **14**



08

09

10 **21**



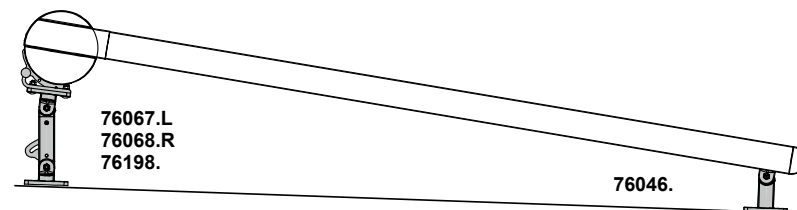
11

12

13

14 **61**

Up to an extension of 400 cm



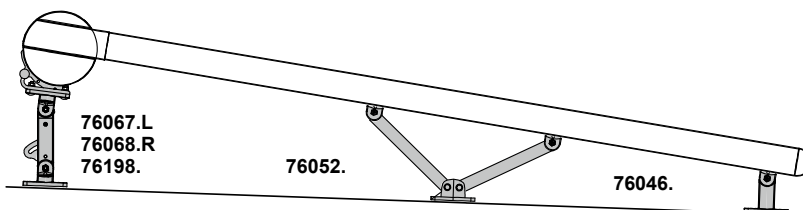
15

16

17

18 **81**

From an extension of 401 cm



19

Individual bracket selection:

See "Fixtures, fittings and accessories".

Bottom fixture

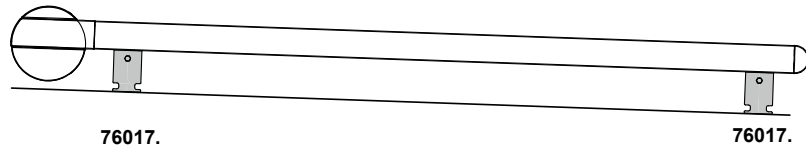
Awning extension > 400 cm, always 2 brackets per guide track.

In the case of widths > 600 cm an additional central cassette bracket or cassette support is required.

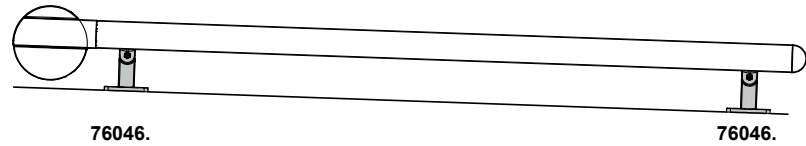
Fixture types

Track-only fixture

31



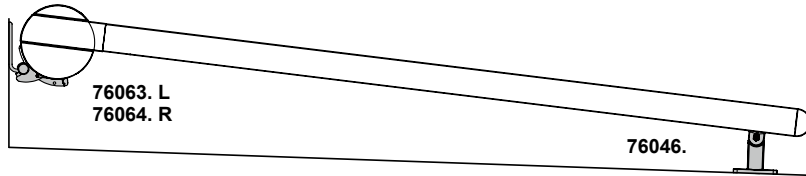
32



Face fixture

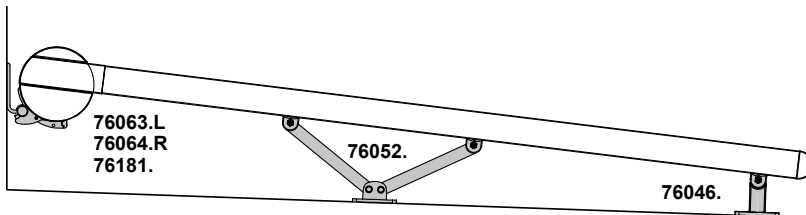
12

Up to an extension of 400 cm

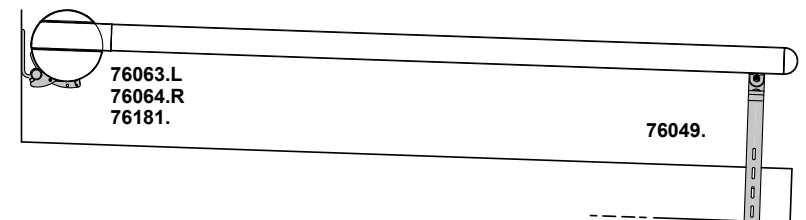


51

From an extension of 400 cm



22



Individual bracket selection:

see "Fixtures, fittings and accessories".

Track-only fixture

Not recommended with a coupled awning.

In the case of raised brackets > 140 mm, always 3 brackets per guide track, regardless of the extension.

In the case of widths > 600 cm an additional central cassette bracket or cassette support is required.

Face fixture

Awning extension > 400 cm, always 2 brackets per guide track.

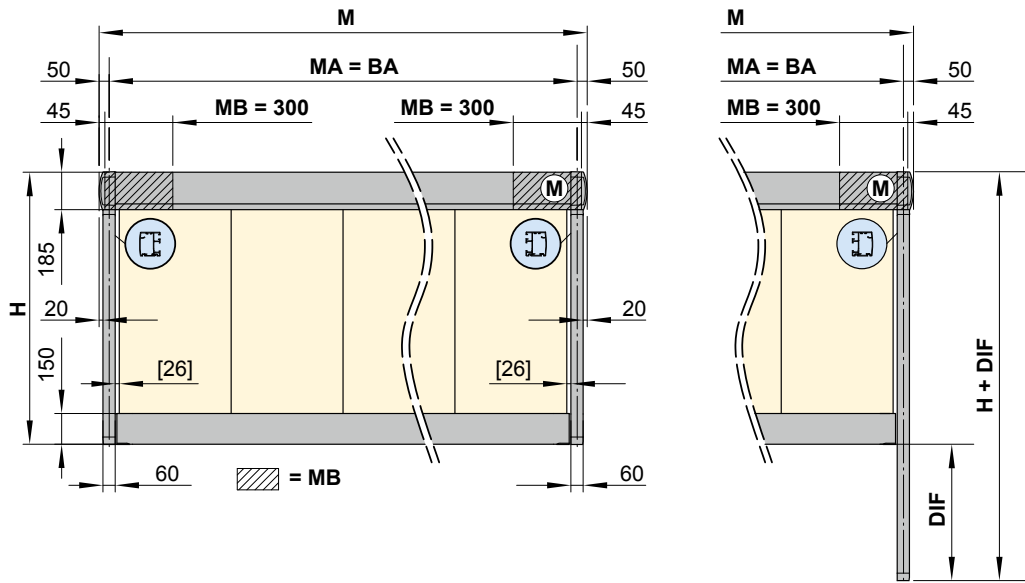
In the case of widths > 600 cm an additional central cassette bracket is required.

01
02
03
04
05
06
07
08
09
10
11
12
13
14
15
16
17
18
19

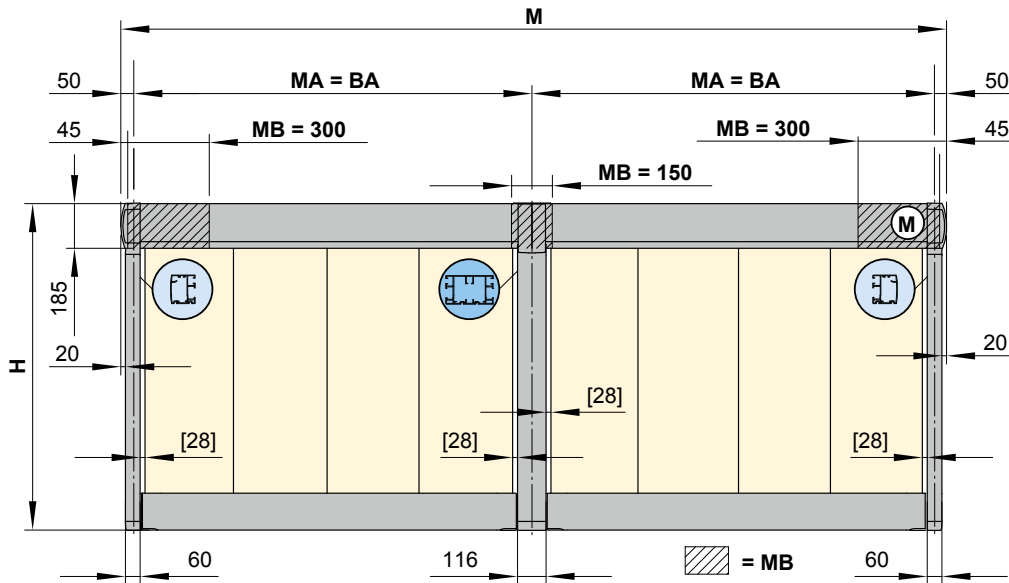
Overview of dimensions

Single unit 1 field, 1 motor

Guide track variant, asymmetrical lengths



Coupled unit, 2 fields, 1 motor



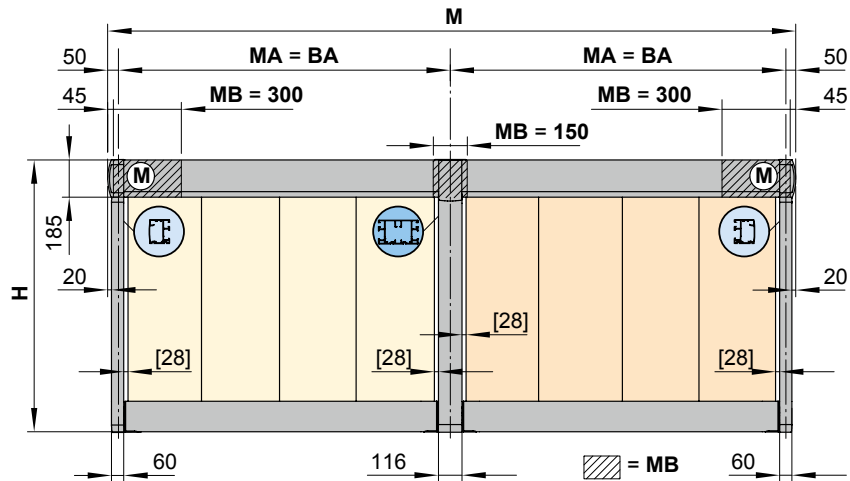
- [...] = dimensions of the cover gap in a standard unit, no cover gap in units with tracfix system
- BA = width between fixture points
- DIF = difference in measurement
- H = **order dimension** = projection

- M = overall blind width = **MA** + 100 mm
- MA = **order dimension** = awning fixture width = fixture width
- MB = bracket fixture range
- (M) = motor

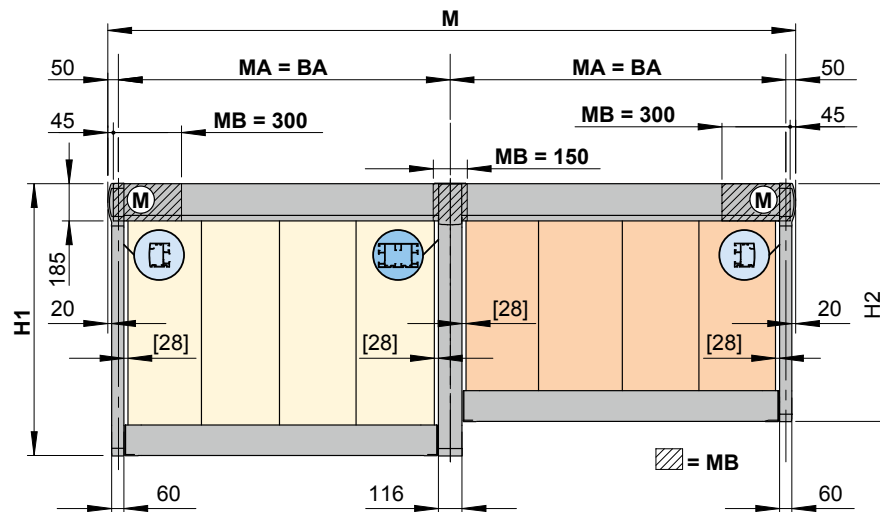
dimensions in mm

Overview of dimensions

Coupled unit, 2 fields, 2 motors



Coupled unit, 2 fields, 2 motors, asymmetrical guide track extensions



- [...] = dimensions of the cover gap in a standard unit, no cover gap in units with tracfix system
- BA = width between fixture points
- H = **order dimension** = projection
- H1 = projection long
- H2 = projection short

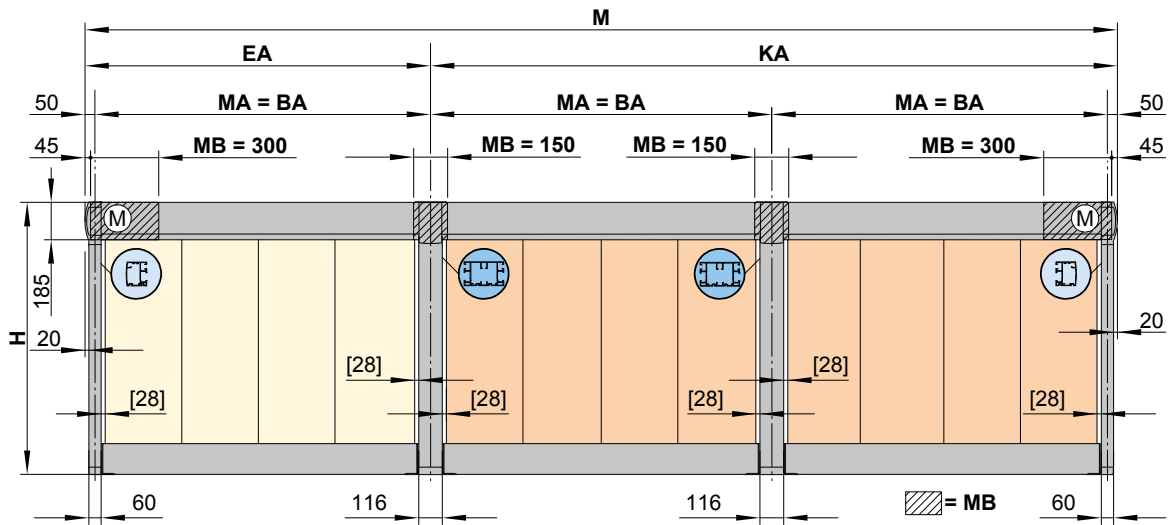
- M = overall blind width = MA + 100 mm
- MA = **order dimension** = awning fixture width = fixture width
- MB = bracket fixture range
- (M) = motor

dimensions in mm

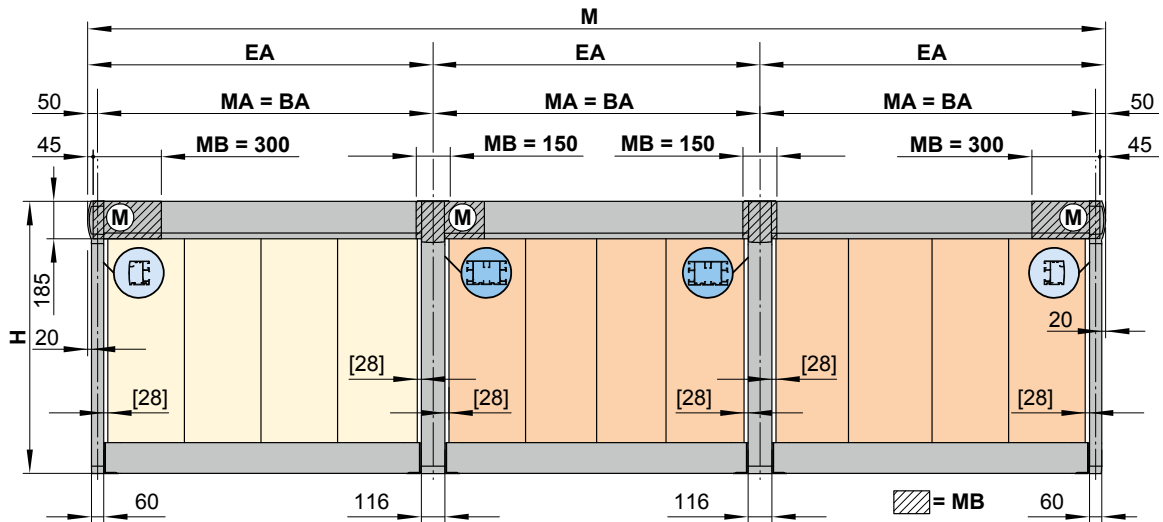
01
02
03
04
05
06
07
08
09
10
11
12
13
14
15
16
17
18
19

Overview of dimensions

Coupled unit, 3 fields, 2 motors



Coupled unit, 3 fields, 3 motors



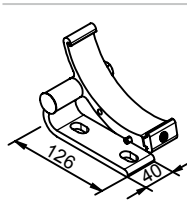
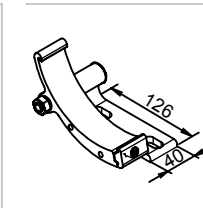
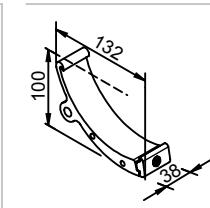
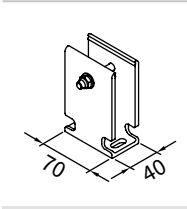
- [...] = dimensions of the cover gap in a standard unit, no cover gap in units with tracfix system
- BA = width between fixture points
- DIF = difference in measurement
- EA = single unit
- H = **order dimension** = projection

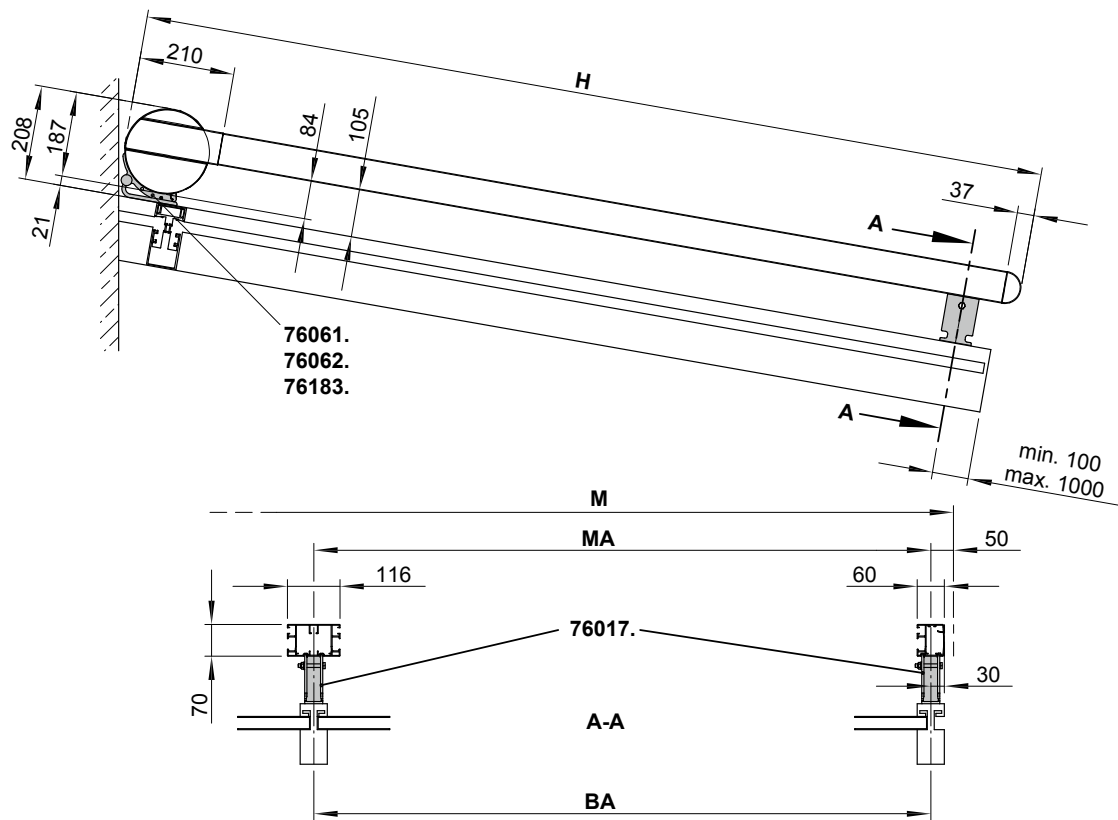
- KA = coupled unit
- M = overall blind width = $MA + 100$ mm
- MA = **order dimension** = awning fixture width = fixture width
- MB = bracket fixture range
- (M) = motor

dimensions in mm

Dimension overview fixture combination 11

Fixtures, fittings and accessories

 <p>bottom fixture cassette bracket for mounting on frame left</p> <p>76061.</p>	 <p>bottom fixture cassette bracket for mounting on frame right</p> <p>76062.</p>	 <p>cassette support for track-only fixture 100 mm</p> <p>76183.</p>
 <p>track bracket for track-only fixture, rigid 100 mm</p> <p>76017.</p>		



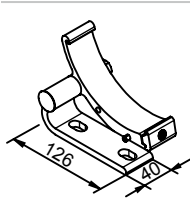
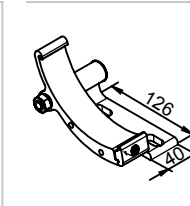
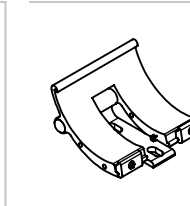
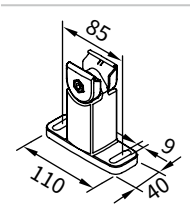
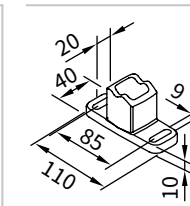
- BA** = width between fixture points
- H** = **order dimension** = extension
- M** = awning width
- MA** = **order dimension** = awning fixture width = fixture width

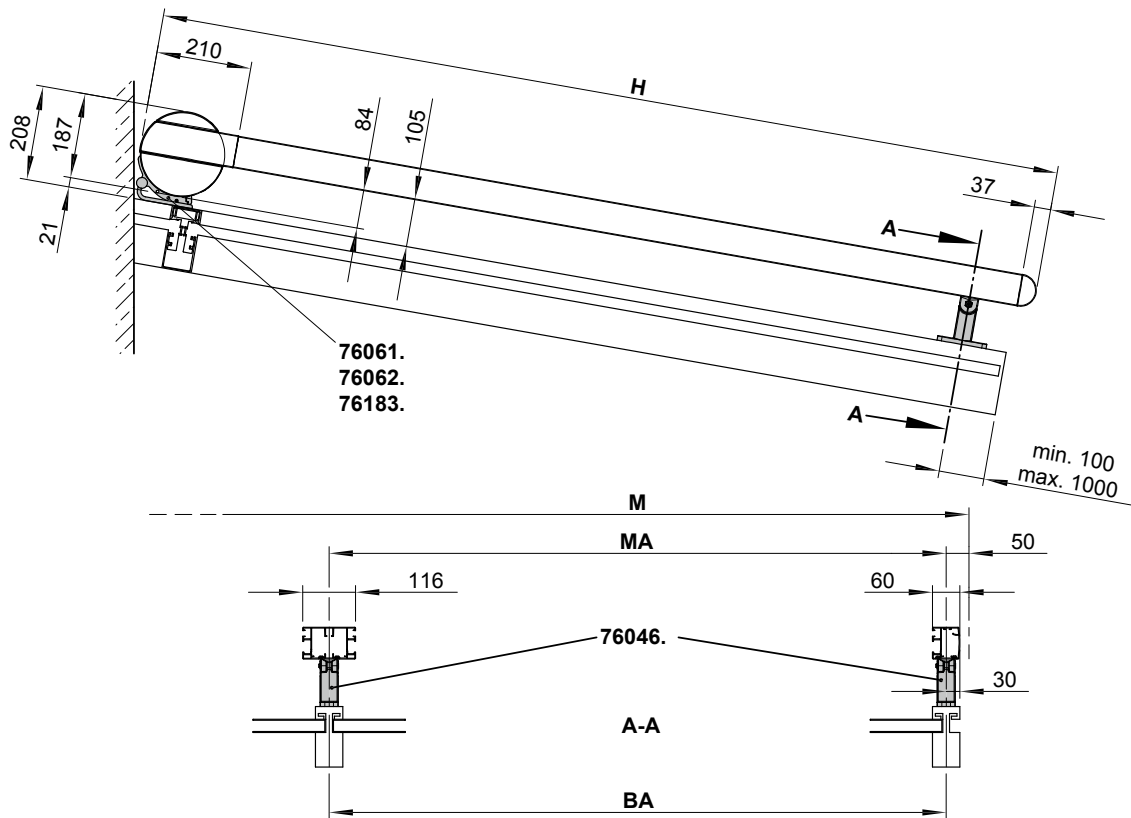
dimensions in mm

01
02
03
04
05
06
07
08
09
10
11
12
13
14
15
16
17
18
19

Dimension overview fixture combination 14

Fixtures, fittings and accessories

 <p>bottom fixture cassette bracket for mounting on frame left</p> <p>76061.</p>	 <p>bottom fixture cassette bracket for mounting on frame right</p> <p>76062.</p>	 <p>cassette coupling bracket for the cassette bottom fixture</p> <p>76180.</p>
 <p>track bracket, with adjustable head</p> <p>100 mm</p> <p>76046.</p>	 <p>dimensions track bracket with adjustable head</p> <p>76002.</p>	

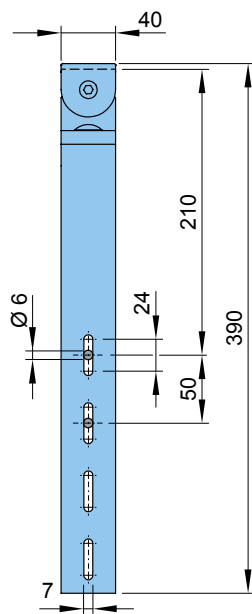
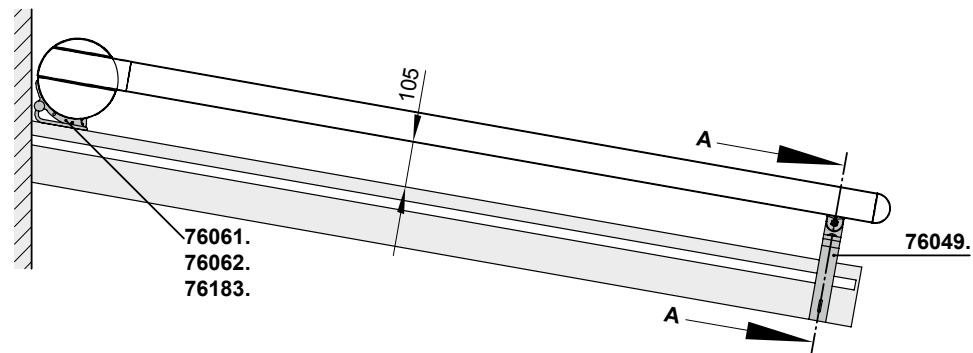
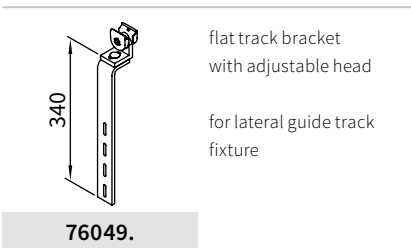
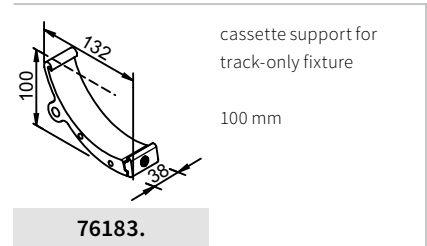
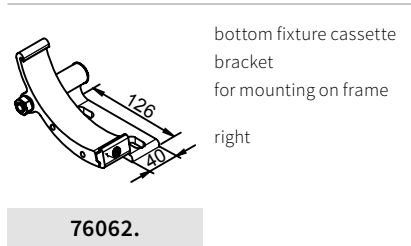
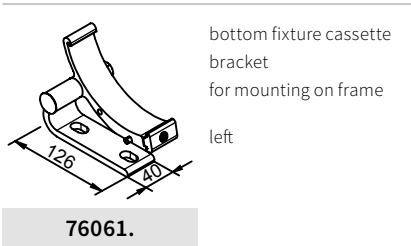


- BA** = width between fixture points
- H** = **order dimension** = extension
- M** = awning width
- MA** = **order dimension** = awning fixture width = fixture width

dimensions in mm

Dimension overview fixture combination 21

Fixtures, fittings and accessories



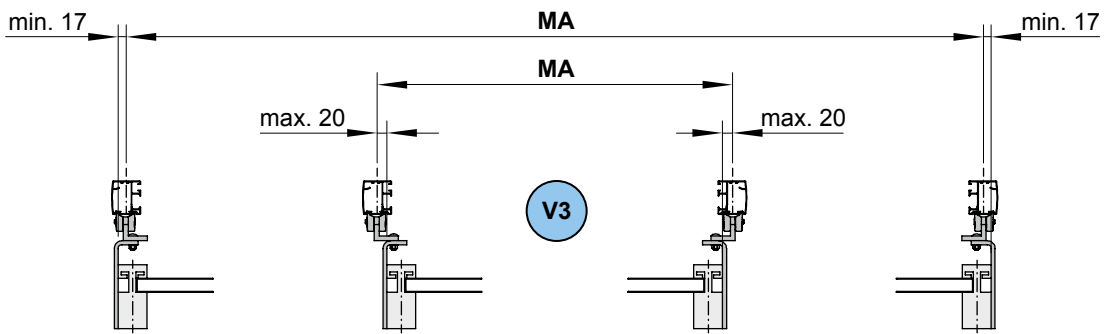
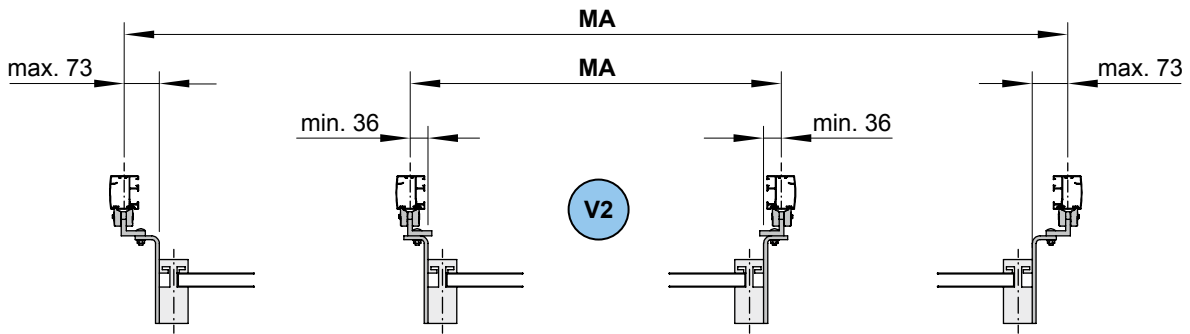
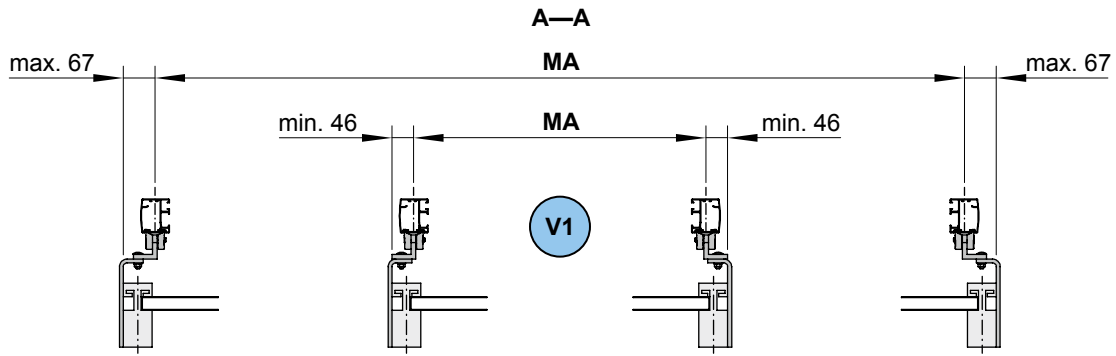
H = order dimension = extension

dimensions in mm

01
02
03
04
05
06
07
08
09
10
11
12
13
14
15
16
17
18
19

01 **Dimension overview fixture combination 21**

02 Alternative installation options

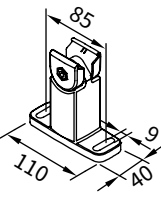


MA = order dimension = blind fixture width = fixture width
 V1, V1, V3 = variants

dimensions in mm

Overview of dimensions, fixture type 61 (up to an extension of 400 cm)

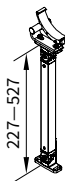
Fixtures, fittings and accessories



track bracket, with adjustable head


100 mm

76046.




raised cassette bracket foot can be tilted backwards by up to 45° head of cassette fixture bracket can be tilted forwards by up to 45°

76067. left



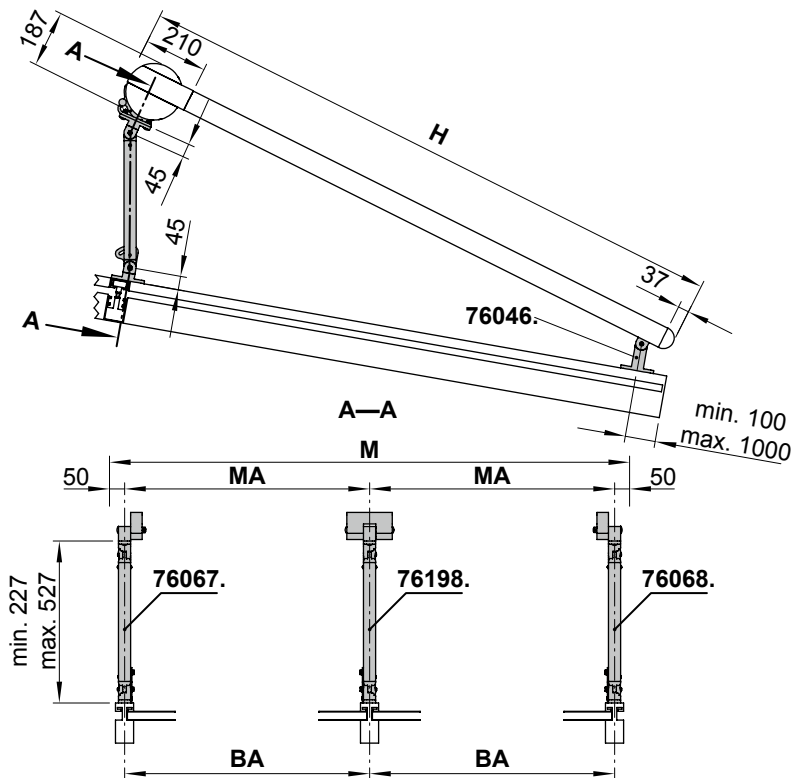
raised cassette bracket foot can be tilted backwards by up to 45° head of cassette fixture bracket can be tilted forwards by up to 45°

76068. right



raised cassette bracket foot can be tilted backwards by up to 45° head of cassette fixture bracket can be tilted forwards by up to 45° for coupling point bottom fixture

76198.



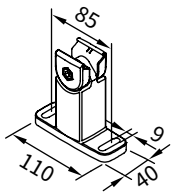
- BA = width between fixture points
- H = **order dimension** = extension
- M = awning width
- MA = **order dimension** = awning fixture width = fixture width

dimensions in mm

01
02
03
04
05
06
07
08
09
10
11
12
13
14
15
16
17
18
19

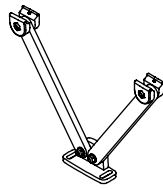
Overview of dimensions, fixture type 81 (from an extension of 400 cm)

Fixtures, fittings and accessories



track bracket, with adjustable head
100 mm

76046.



vario-V bracket
for track fixture

76052.



raised cassette bracket
foot can be tilted backwards by up to 45°
head of cassette fixture bracket can be tilted forwards by up to 45°

76067.

left



raised cassette bracket
foot can be tilted backwards by up to 45°
head of cassette fixture bracket can be tilted forwards by up to 45°

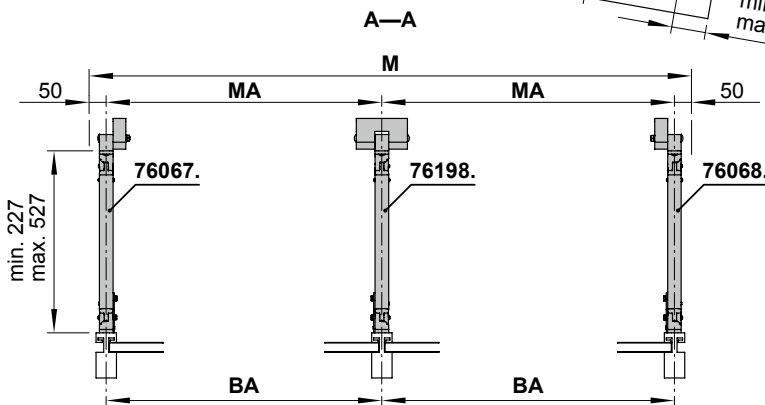
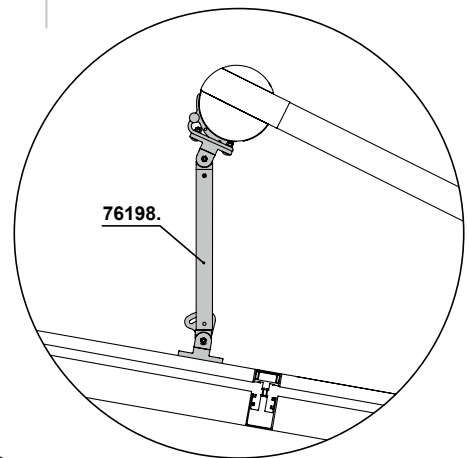
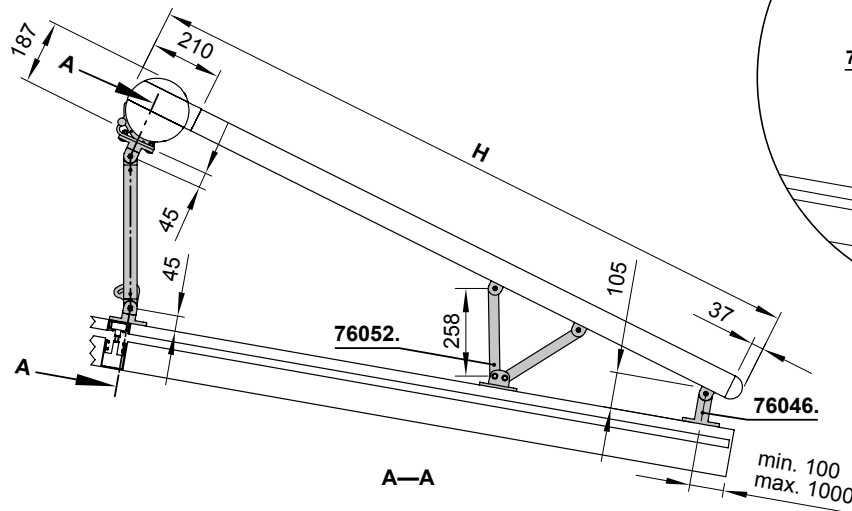
76068.

right



raised cassette bracket
foot can be tilted backwards by up to 45°
head of cassette fixture bracket can be tilted forwards by up to 45°
for coupling point bottom fixture

76198.

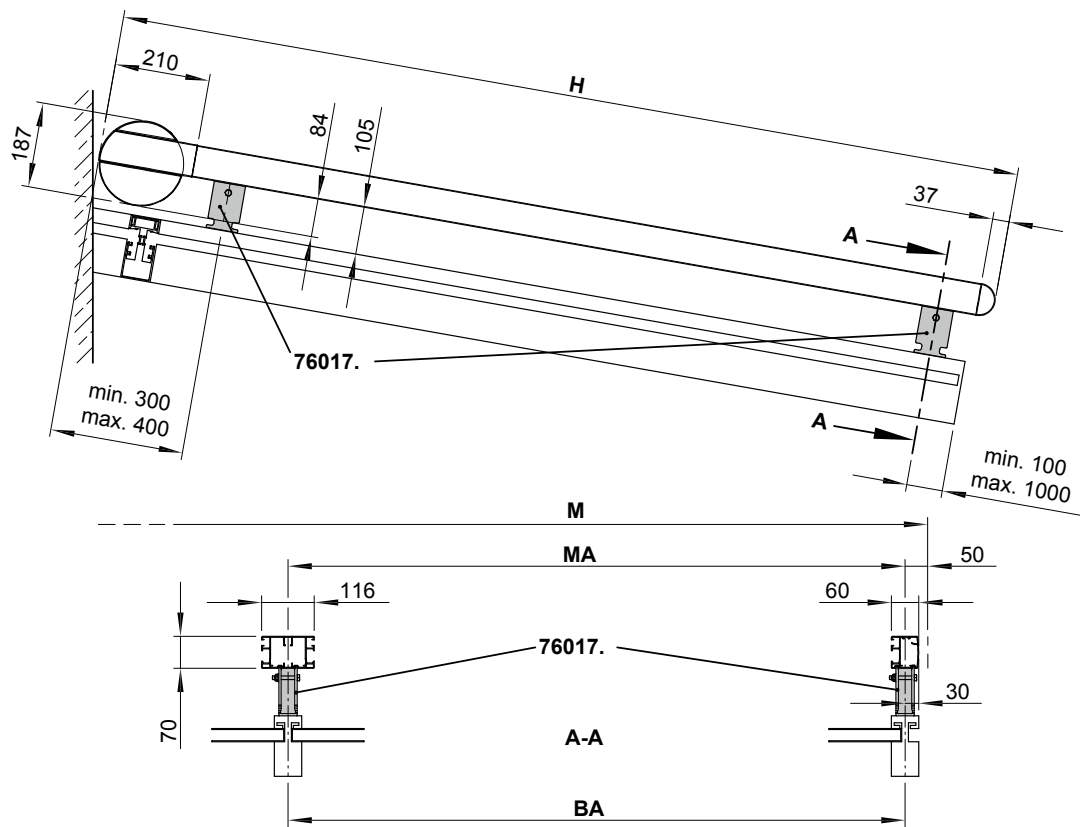
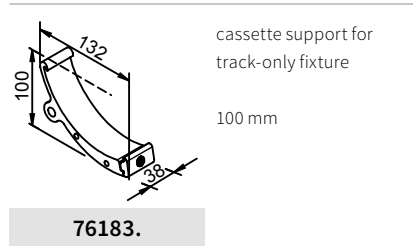
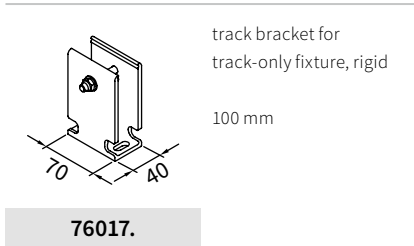


- BA = width between fixture points
- H = **order dimension** = extension
- M = awning width
- MA = **order dimension** = awning fixture width = fixture width

dimensions in mm

Dimension overview fixture combination 31

Fixtures, fittings and accessories



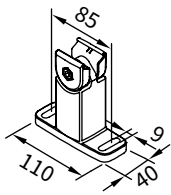
- BA** = width between fixture points
- H** = **order dimension** = extension
- M** = awning width
- MA** = **order dimension** = awning fixture width = fixture width

dimensions in mm

01
02
03
04
05
06
07
08
09
10
11
12
13
14
15
16
17
18
19

Dimension overview fixture combination 32

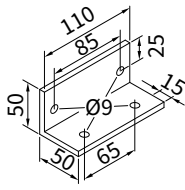
Fixtures, fittings and accessories



track bracket, with adjustable head

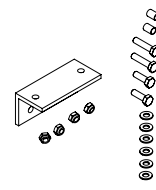
100 mm

76046.



angled mounting bracket

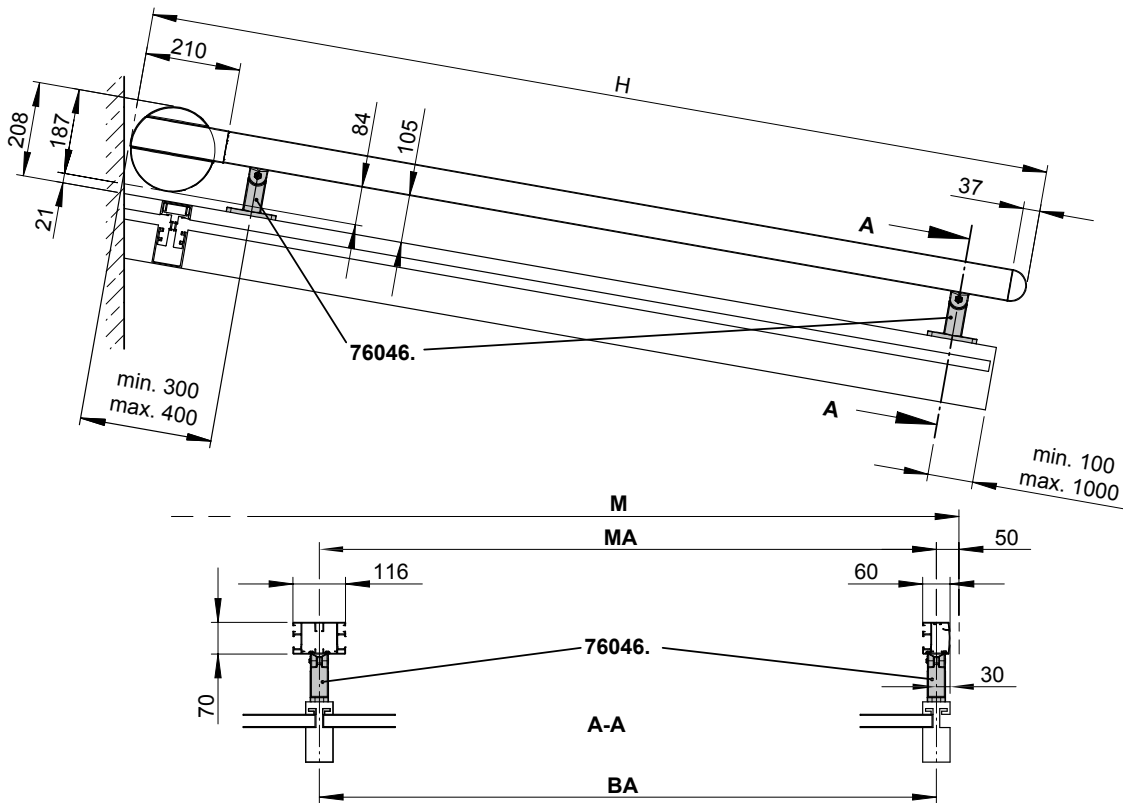
76098.



angled mounting bracket 76098.

including coupling bolts

76099.

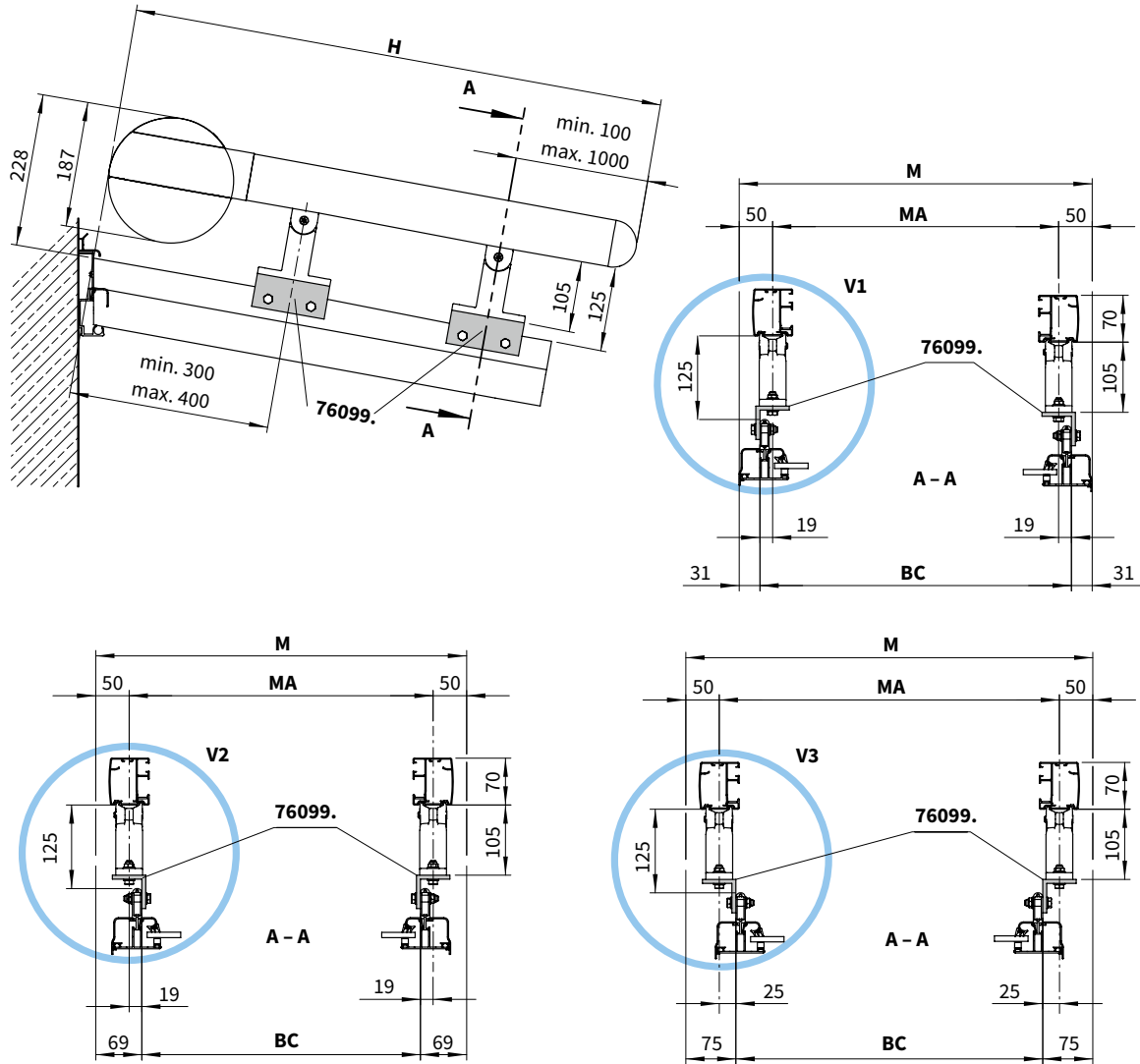


- BA = width between fixture points
- H = **order dimension** = extension
- M = awning width
- MA = **order dimension** = awning fixture width = fixture width

dimensions in mm

Dimension overview fixture combination 32

Mullion fixture with angled installation brackets



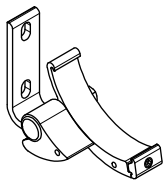
- BC = fixture width
- MA = **order dimension** = blind fixture width = fixture width
- H = **order dimension** = projection
- M = awning width
- V1, V2, V3 = variants

dimensions in mm

01
02
03
04
05
06
07
08
09
10
11
12
13
14
15
16
17
18
19

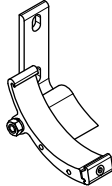
Overview of dimensions, fixture type 12 (up to an extension of 400 cm)

Fixtures, fittings and accessories



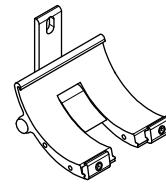
face fixture cassette bracket, left
pitch adjustment range 5°–45°

76063.



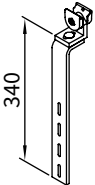
face fixture cassette bracket, right
pitch adjustment range 5°–45°

76064.



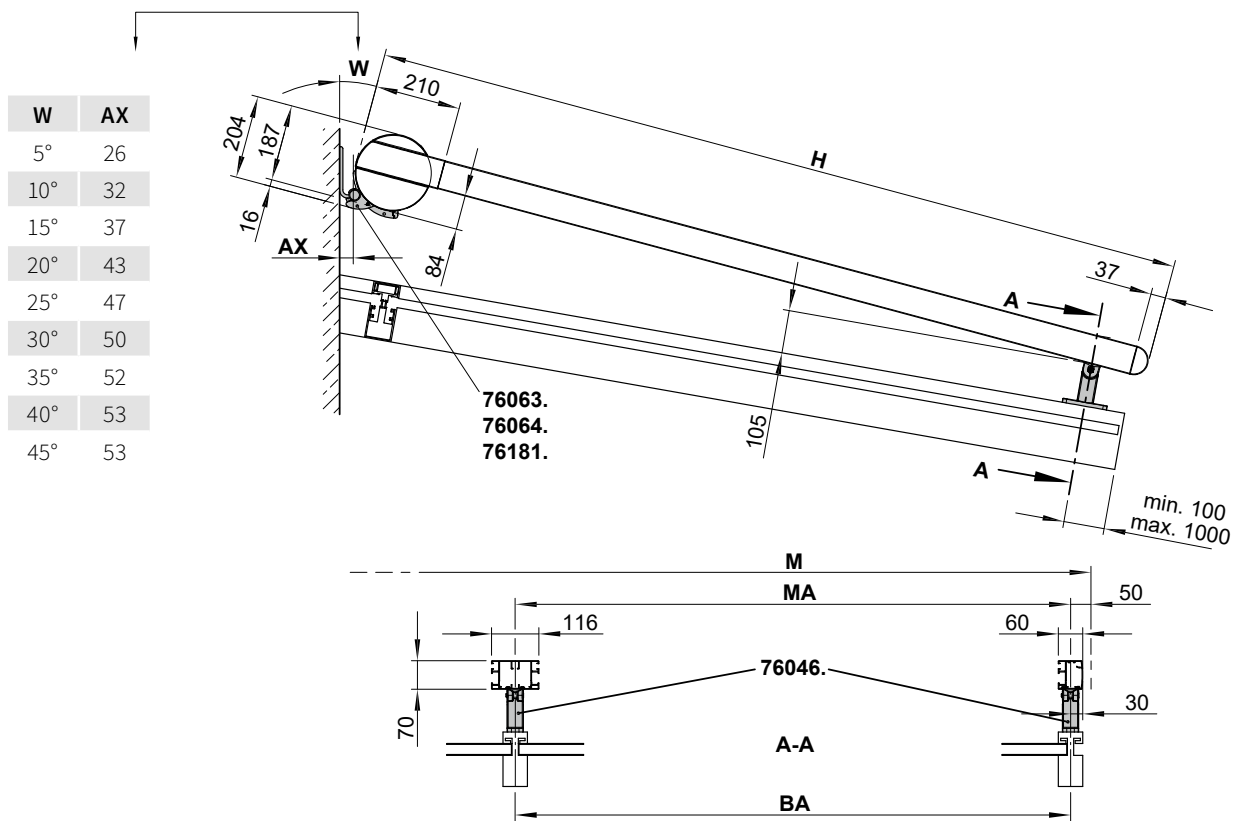
coupling cassette bracket, central
pitch adjustment range 5°–45°

76181.



flat track bracket with adjustable head
for lateral guide track fixture

76049.

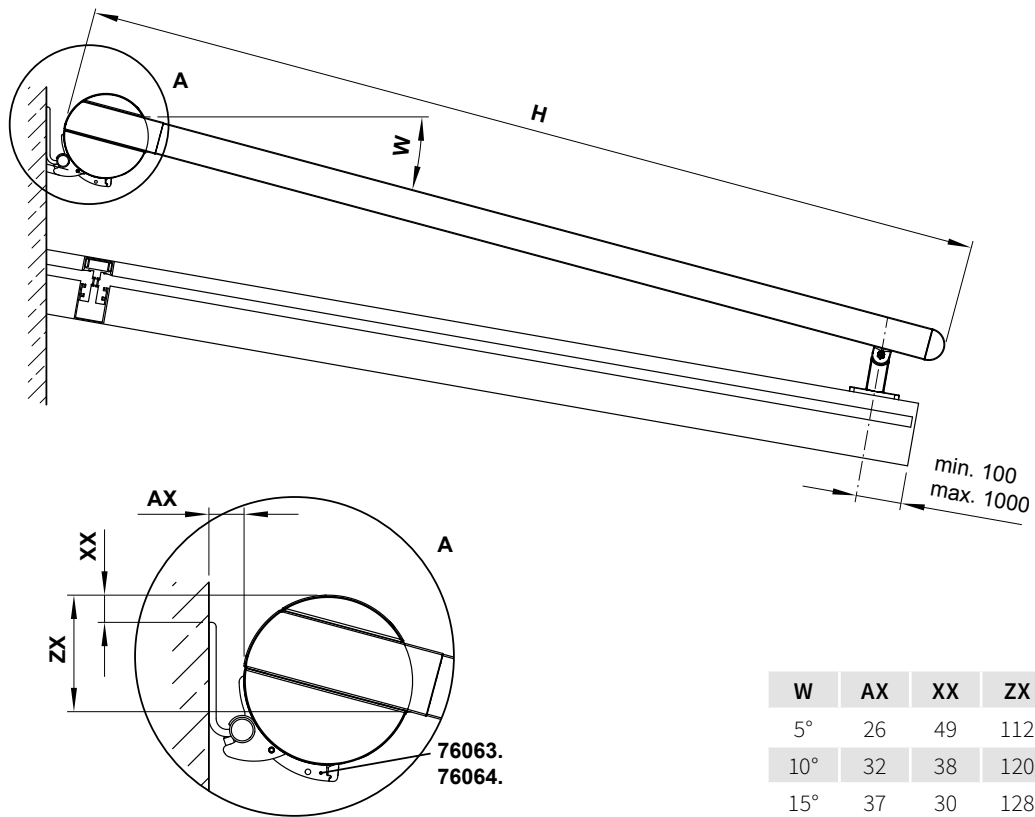


- AX** = distance from cassette to wall
- BA** = width between fixture points
- H** = **order dimension** = extension
- M** = awning width
- MA** = **order dimension** = awning fixture width = fixture width
- W** = pitch

dimensions in mm

Overview of dimensions, fixture type 12 (up to an extension of 400 cm)

Face fixture and track brackets with adjustable head



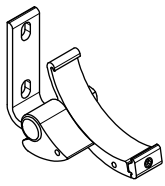
- AX = distance from cassette to wall
- H = **order dimension** = projection
- W = pitch
- XX = distance upper edge bracket – cassette
- ZX = distance upper edge cassette – guide track

dimensions in mm

01
02
03
04
05
06
07
08
09
10
11
12
13
14
15
16
17
18
19

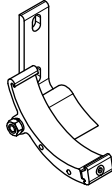
Overview of dimensions, fixture type 51 (from an extension of 400 cm)

Fixtures, fittings and accessories



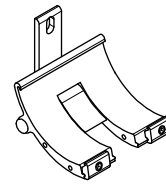
face fixture cassette bracket, left
pitch adjustment range 5°–45°

76063.



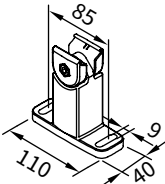
face fixture cassette bracket, right
pitch adjustment range 5°–45°

76064.



coupling cassette bracket, central
pitch adjustment range 5°–45°

76181.

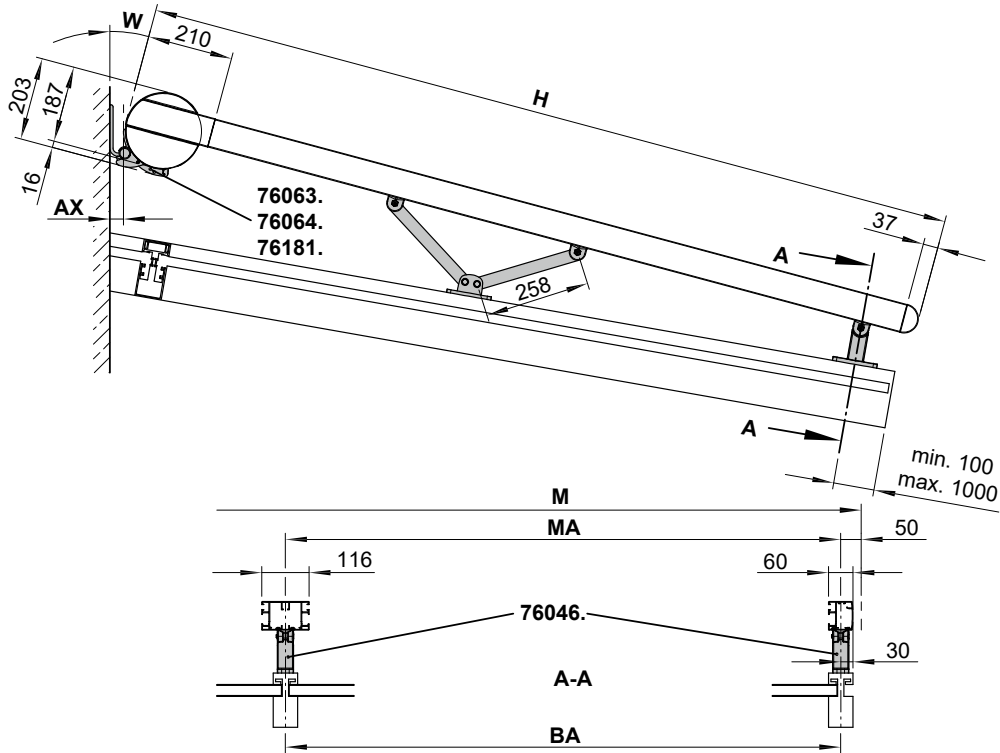


track bracket, with adjustable head

100 mm

76046.

W	AX
5°	26
10°	32
15°	37
20°	43
25°	47
30°	50
35°	52
40°	53
45°	53

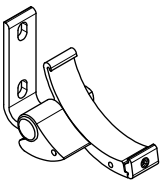
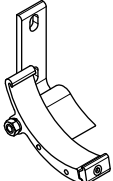
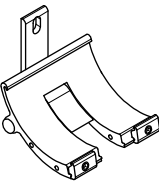
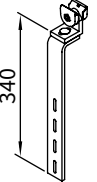


- AX = distance from cassette to wall
- BA = width between fixture points
- H = **order dimension** = projection
- M = awning width
- MA = **order dimension** = awning fixture width = fixture width
- W = pitch

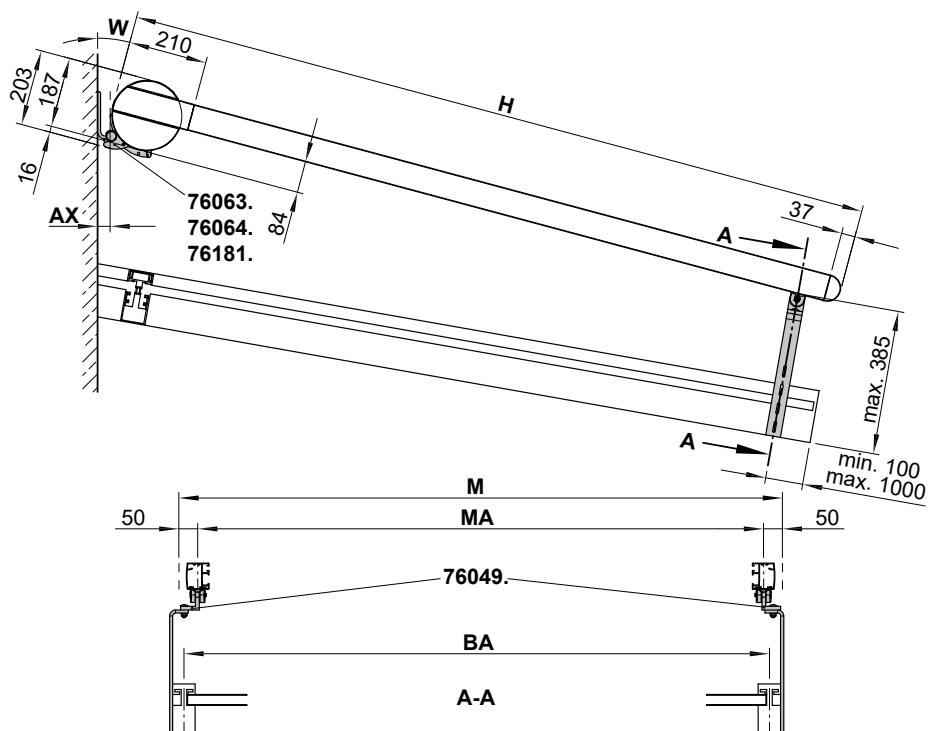
dimensions in mm

Dimension overview fixture combination 22

Fixtures, fittings and accessories

 <p>face fixture cassette bracket, left</p> <p>pitch adjustment range 5°—45°</p> <p>76063.</p>	 <p>face fixture cassette bracket, right</p> <p>pitch adjustment range 5°—45°</p> <p>76064.</p>	 <p>coupling cassette bracket, central</p> <p>pitch adjustment range 5°—45°</p> <p>76181.</p>
 <p>flat track bracket with adjustable head</p> <p>for lateral guide track fixture</p> <p>76049.</p>		

W	AX
5°	26
10°	32
15°	37
20°	43
25°	47
30°	50
35°	52
40°	53
45°	53

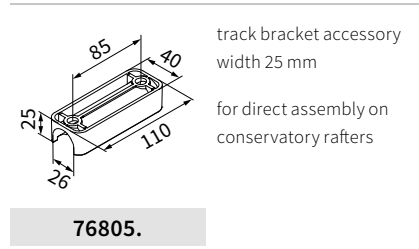
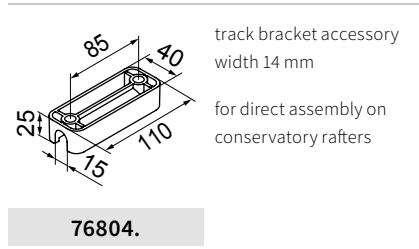


- AX** = distance from cassette to wall
- BA** = width between fixture points
- H** = **order dimension** = extension
- M** = awning width
- MA** = **order dimension** = awning fixture width = fixture width
- W** = pitch

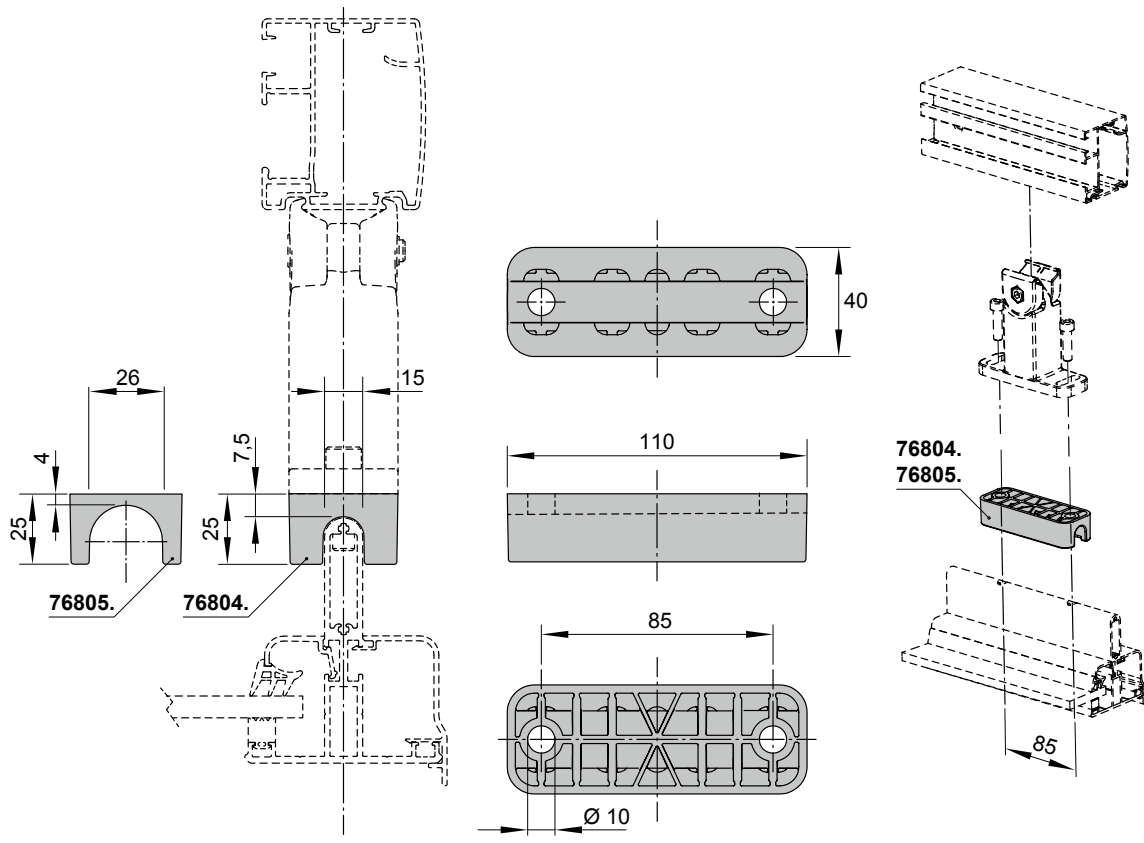
dimensions in mm

01 Dimension overview eaves fixture with additional bracket fitting

02 Fixtures, fittings and accessories



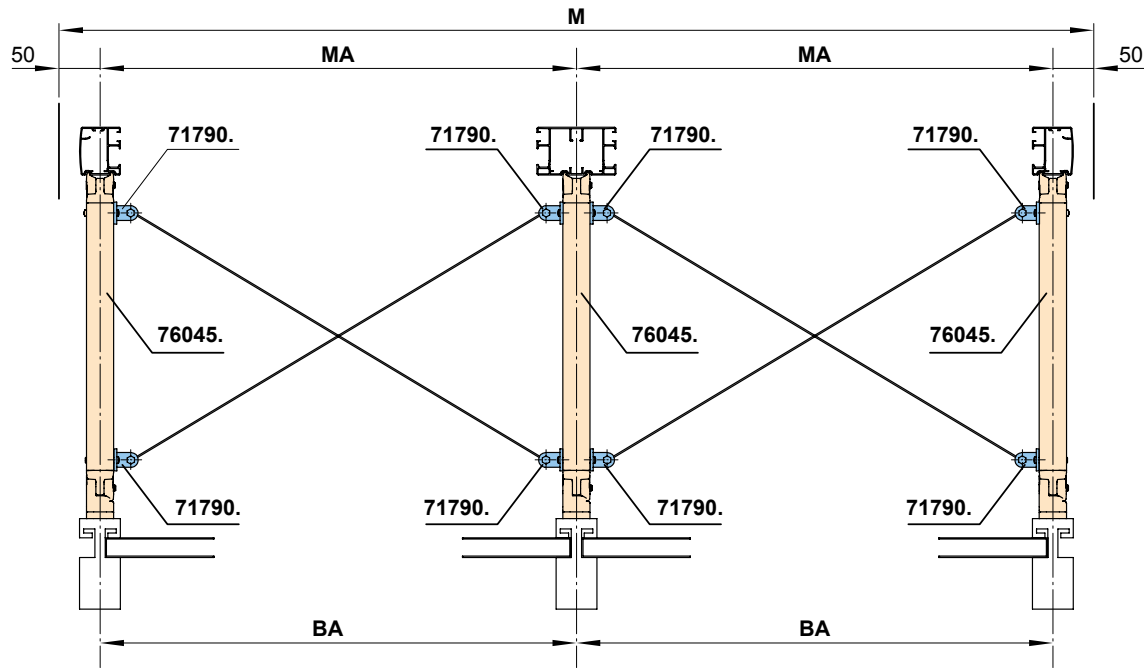
13



dimensions in mm

Overview of dimensions

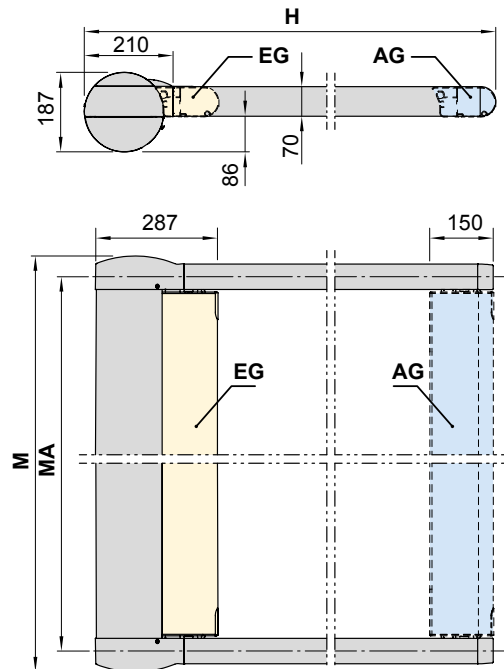
Diagonal tensioning kit for raised bottom fixture



01
02
03
04
05
06
07
08
09
10
11
12

13

Distance from the back of the cassette to the leading edge of the front profile



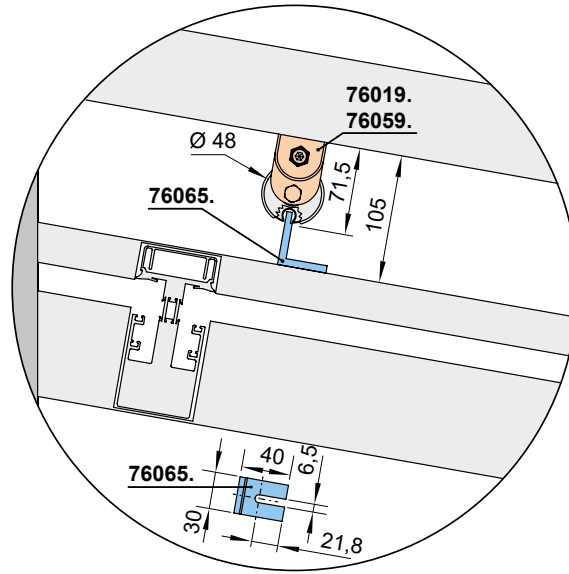
14
15
16
17
18
19

- AG = extended
- BA = width between fixture points
- MA = **order dimension** = awning fixture width = fixture width
- EG = retracted
- H = **order dimension** = extension
- M = awning width
- 71790 = diagonal tensioning kit
- 76045 = track bracket, with adjustable head and foot

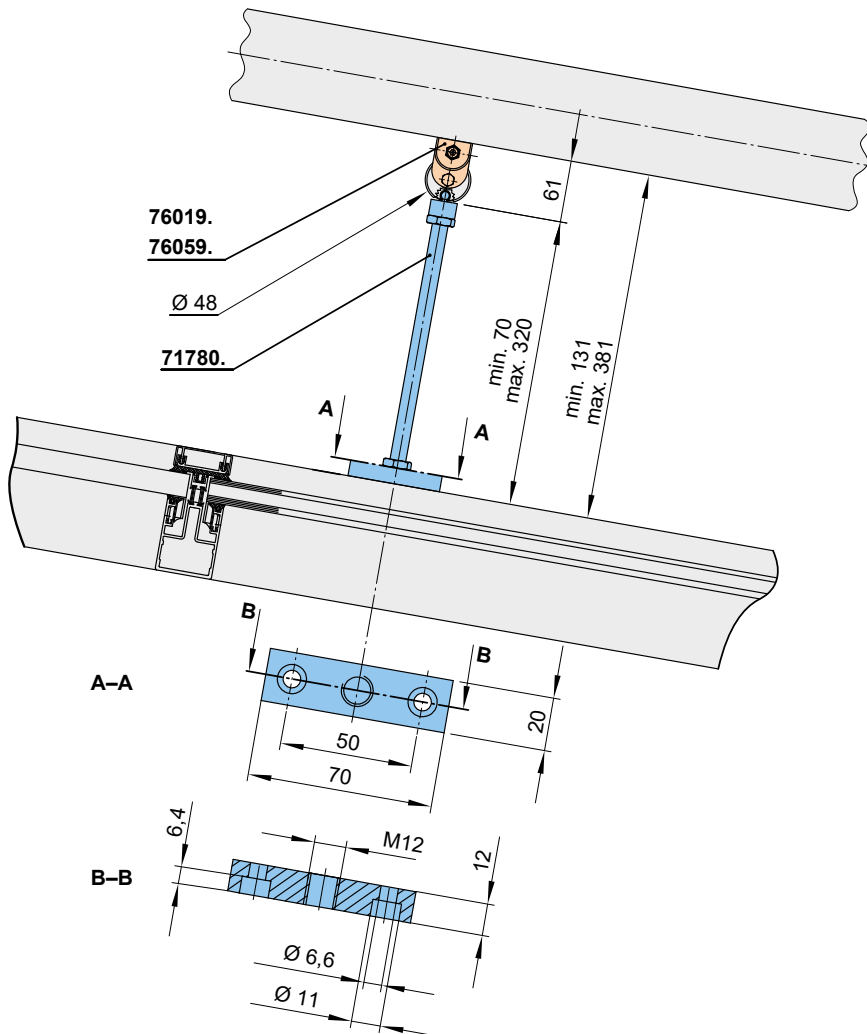
dimensions in mm

01 **Overview of dimensions, support to prevent deflection**

02 Support to prevent deflection of the cover support tube, 100 mm



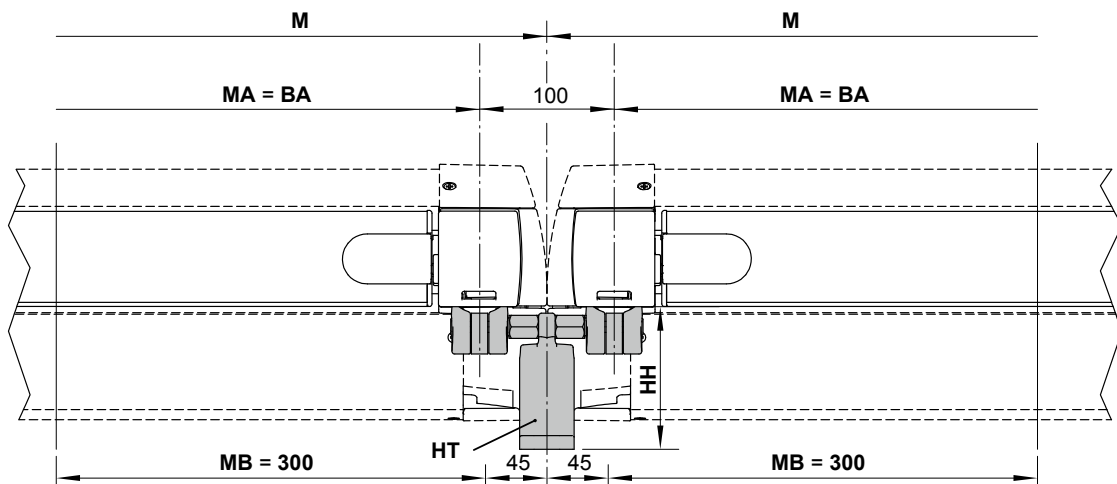
03
04
05
06
07
08
09
10
11 Support to prevent deflection of the cover support tube, can be shortened on site, height range 70–320 mm



- 71780. = bracket to prevent deflection of the cover support tube
- 76019. = bracket for cover support tube
- 76059. = coupling bracket for cover support tube
- 76065. = angled support bracket

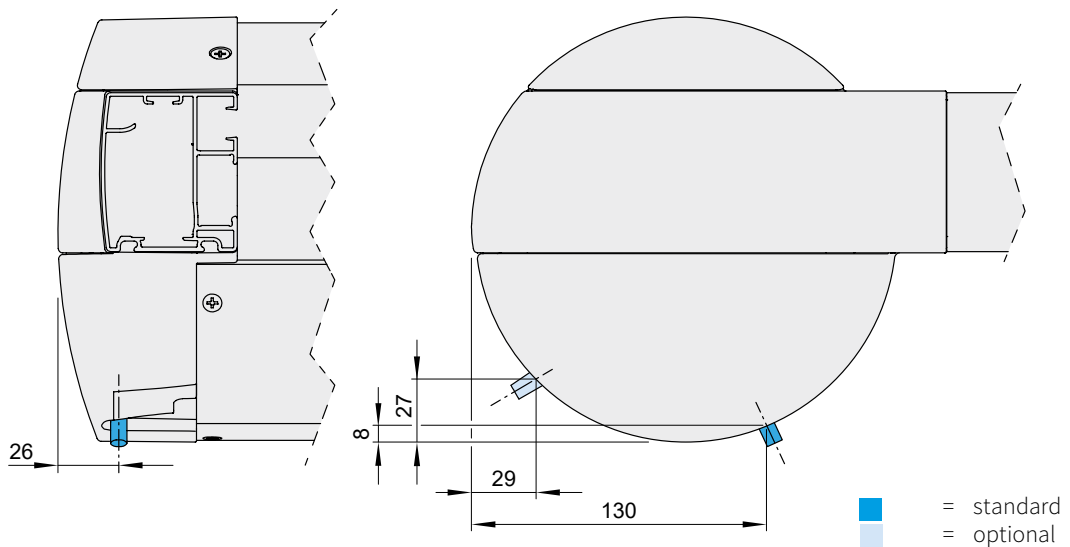
dimensions in mm

Overview of dimensions, double track bracket for single units



HT	76191.	76192.	76193.	76194.
HH	105	145	145-505	205-505

Motor cable exit point ¹⁾



1) depending on the operation side, left or right

- BA** = width between fixture points
- HH** = bracket height
- HT** = bracket
- M** = awning width
- MA** = **order dimension** = awning fixture width = fixture width
- MB** = bracket fixture range

- 76191.** = double track bracket 100 mm
- 76192.** = double track bracket 140 mm
- 76193.** = double track bracket 140-500 mm
- 76194.** = double track bracket 200-500 mm

dimensions in mm

01

02

03

04

05

06

07

08

09

10

11

12

13

14

15

16

17

18

19