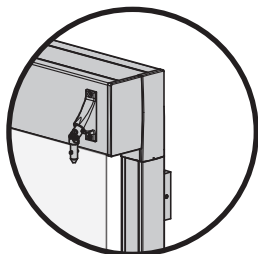
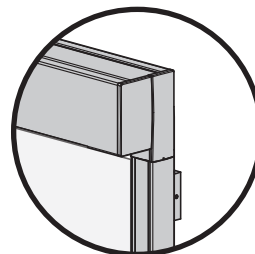


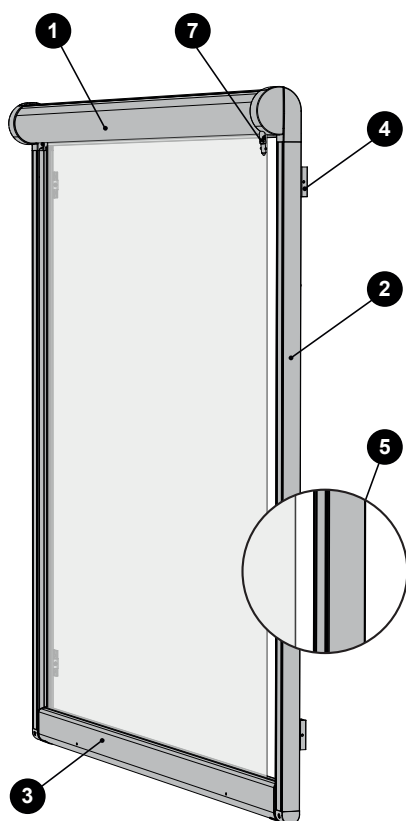
markilux 776



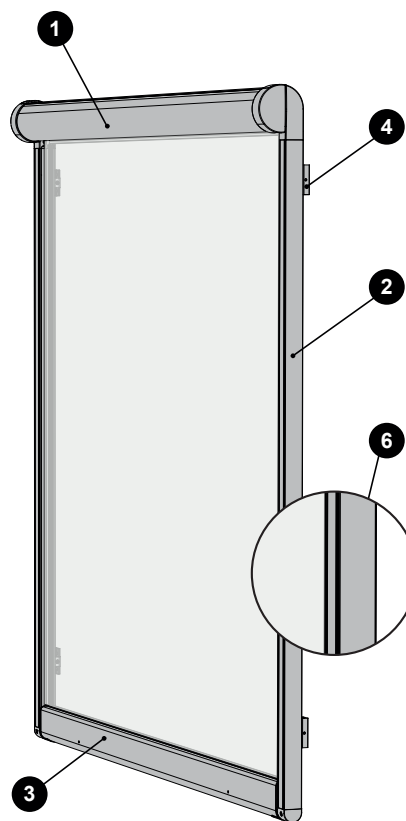
markilux 776 tracfix



markilux 876



markilux 876 tracfix



- 1 Cover cassette
- 2 Guide track
- 3 front profile
- 4 the fixture brackets

- 5 Awning cover with cover gap
- 6 Awning cover without cover gap with Tracfix system
- 7 Winding handle operation



reddot design award
winner 2017



GERMAN
DESIGN
AWARD
WINNER
2018

markilux

Table of contents

markilux important notes	
markilux operating instructions	
	Page
1 Reading the instructions	7
2 Awning with manual operation	7
3 Awning with motorised operation	8
4 Modification or retrofitting	8
5 Maintenance and care	9
6 Cleaning and care markilux panorama window	10

markilux important notes

Important information for the users of markilux awnings

1. Manufacturing number

Every markilux awning was produced individually according to your guidelines and has a fabrication number on it, through which this product becomes a unique product identifiable at any time.

2. Marking of important safety instructions



With this triangular warning, notes responding to dangers are marked which can result in bad injuries or even death. Furthermore it marks important information on the function of the awning!

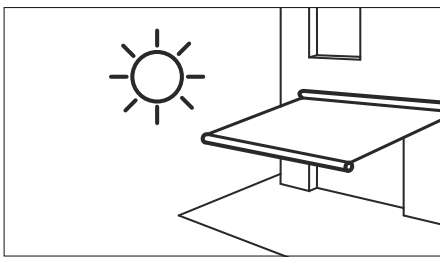


With this triangular warning, notes are marked which respond to dangers by electric shock resulting in bad injuries or even death.

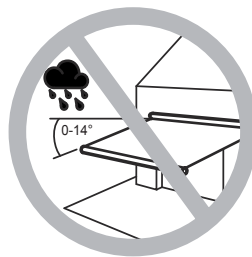
3. Reading of "Important Instructions" and the "Operating Instructions"

The instructions handed by the authorized markilux specialist must be read before the first awning use. It is important to read all instructions for the safety of persons. All instructions are to be stored by the customer and have to be handed over to the new owner in case of an eventual transfer of the awning to Third Parties.

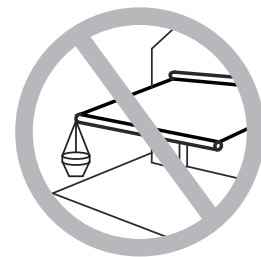
4. Proper use of an awning



The awning is a sun protection construction. Improper use may lead to significant hazards.



If the awning inclination is less than $25\% = 14^\circ$ measured at the horizontal or the awning is not extended entirely, then it must not be burdened by rainwater. There is a risk of the formation of water pockets in the awning cover and the awning may be damaged or fall.



Alterations like rebuilding or enlargements which are not intended by the manufacturer may only be carried out with the markilux manufacturers written approval. Additional awning burdens by means of object attachments or rope wearing can result in damage or dropping of the awning and are therefore not allowed.

5. Wind resistance class

Wind resistance class	0	1	2	3
Wind speed V (km/h) maximum values	< 28	28	38	49
Wind speed V (m/s) maximum values	< 7.8	7.8	10.6	13.6

Wind resistance class 2

markilux folding-arm awnings, markilux 710/810, 720/820, 730/830, 740/840, 750/850, 893, 776/776 tracfix (depends on size), 876/876 tracfix (depends on size), 779/779 tracfix (depends on size), 879/879 tracfix (depends on size), 625 tracfix (depends on size), 8850

Wind resistance class 3

markilux 620 tracfix, 625 tracfix (depends on size), 776/776 tracfix (depends on size), 876/876 tracfix (depends on size), 779/779 tracfix (depends on size), 879/879 tracfix (depends on size), 770 tracfix, 870 tracfix, 8800/8800 tracfix, pergola, pergola compact, markant

The awning complies with the wind resistance category requirements named in the CE conformity mark (explanation see "handover declaration"). The CE conformity mark states an agreement to be proved according to the valid European guidelines requirements, the corresponding declarations can be requested via the authorized markilux service centre.



6. Use in case of snow, ice, thunderstorm, storm and absence, also with automatic control

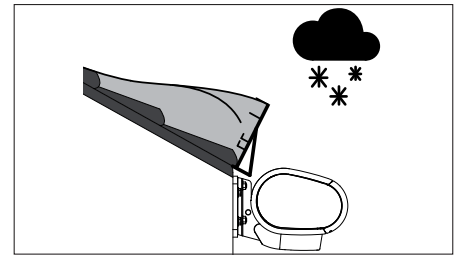


The awning must not be extended at snowfall or risk of frost. There is risk of the awning to be damaged or crash down. At approaching storm or bad weather fronts, severe gusts can occur suddenly to which even a control can not react immediately. An automatic control enhances the awning comfort, but does not excuse from the duty of care! During absence for longer periods, e.g. holidays or during the night, an automatic control system does not guarantee an enduringly faultless operation of your awning.



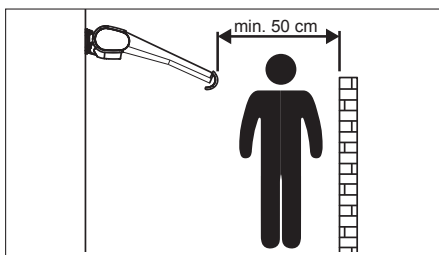
⚠ Attention! It is recommended to retract the awning before freezing wetness starts, at approaching storm respectively bad weather fronts or at absences. A possibly existing automatic function is to switch off!

7. Leaves, snow and foreign bodies



Foliage and other foreign objects located on the awning cover, inside the awning box and in the guidance bars are to remove immediately. There is risk of the awning to be damaged or crash down. A build up of snow behind the awning can be avoided by installation of snow stoppers (snow collecting grid or the like) or regular removal of the accumulated snow.

8. Obstacles

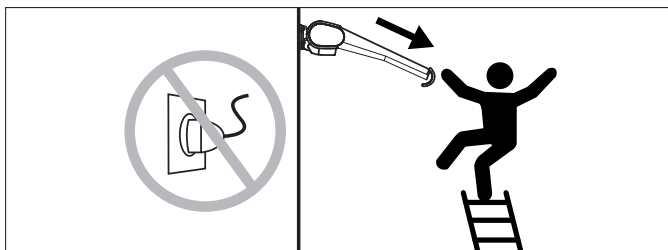


In the awning extension area, no obstacles may be located. There is danger for persons to be squashed in there. In order to avoid this, a safety distance of at least 50 cm has to be observed.

9. Motor in case of power cut

A motor-driven awning cannot be retracted without electricity. In very windy areas with frequent power cuts the use of an emergency power supply should be considered. Otherwise always retract the awning if the power is scheduled to be cut!

10. Uncontrolled operation during cleaning and maintenance jobs



⚠ Attention! When working in operation radius (e.g. cleaning or service works), make sure the awning to be currentless (e.g. power switch off, remove plug coupling at drive cable, ...) There is risk of squeezing and falling down.

There is a risk of crushing body parts and falling. For works on manually operated units the crank should be removed and stored safely. If awnings are operated by various persons, a locking device switching of prime importance (controlled circuit breakers from outside) must be actuated, so that every awning retraction and extension is made impossible. Persons not familiar with proper awning use must not operate them.

11. Repair and spare parts

The awning is to be checked regularly for signs of wear or damage at covering, frame and its fixtures (with electric connection: also the power supply lines). The durability of the fixtures should be checked on an annual basis by means of a visual inspection or by an annual servicing of the markilux specialist dealer. If damages occur, an authorized markilux specialist is to be entrusted with the adjustment. Only spare parts released by the manufacturer may be used.

⚠ Attention! Risk of injury! Please never try to repair disorders on your own! Awnings which need to be fixed must not be used. Talk to your authorized markilux specialist about a preventive maintenance agreement!

12. Crushing and shearing zones

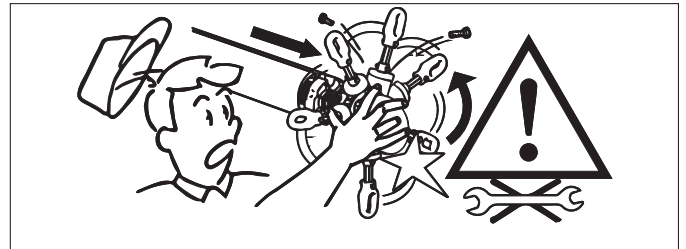
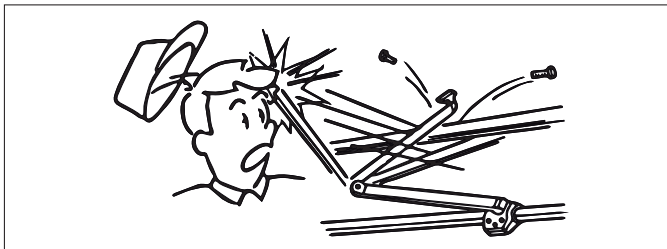


⚠ Attention! Depending on the type of awning there are crush and shear zones, e.g. between front profile and cassette and between moving parts. Items of clothing or limbs can be grabbed by the unit and pulled in. If the awning is installed at a height less than 2.5 metres above accessible traffic ways, then the awning may only be operated by a pushbutton switch which enables the moving parts to be viewed. Electric controls, radio-controlled motors with click in-switches are not permitted for such installations.

13. Metallic and pearl glimmer coatings of the awning frame

The look of plastic coatings of metal and plastic parts in metallic and/or pearl glimmer colour vary. These visual differences concern in particular the intensity and characteristic of the metallic effect, which may also lead to a change in the perception of the basic shade.

14. Disassembly and disposal



⚠ Attention: Risk of injury! When disassembling and disposing of the shading system, the parts under tension (e.g. folding-arms, counter tension systems or servo gear unit) have to be relaxed completely or secured beforehand. A markilux specialist should be commissioned for this!

15. Maintenance and care, characteristics cover and awning frame

Whether a cleansing is necessary or not depends strongly on environmental influences (traffic, air pollution, industrial gases etc.). Depending on the degree of pollution, a regular cleansing is recommended.

⚠ Attention! Always use an appropriate ascending aid and never rest again or attach to the awning!

15.1 Awning cover in wet condition

If possible, retract the awning when it is dry only! If the awning must be retracted wet, it has to be extended as soon as possible in order to dry. By the cover permanent weight, a deflection is possible which increases in wet condition. This occurrence does not influence the awning function and running qualities.

15.2 Cleaning the awning cover

The awning cover is equipped with special impregnation which reduces at every cleansing. For post-impregnation, commercial tent impregnation can be used. By re-impregnation, no new condition of the cover can be achieved yet.

Remove dust periodically with a soft brush in dry condition. Remove leaves, twigs and similar debris immediately. Remove small stains on the awning cover with commercial, preferably liquid mild detergent added to water (water temperature approx. 30°C, soap solution 5 %). Rinse thoroughly with water until all traces of the detergent have been removed.

15.3 Cleaning the awning frame

For cleansing of the awning frame, use commercial detergent for sensitive surfaces (pH-value between 5 and 8). Aggressive acids and scraping materials (like grinding fleece, emery, sand, pumice, etc.) are not allowed because they could alter the surface totally.

15.4 Characteristics resulting from the production and manufacture of awning fabrics

Awning covers are industrially manufactured textile products which serve both a functional and a decorative role. Although only first-class, quality controlled fabric is used in production, there are limits to the degree of perfection that can be achieved. Awning owners occasionally complain about certain imperfections in the fabric due to lack of knowledge. Defects actually to complain are only those which influence the cover life span. The following specified imperfections influence the awning cover durability and usage practicality in no way.

• Dogleg and wrinkle creases

At processing, like e.g. trimming, sewing and winding up of the cover onto the awning frame, dogleg traces can result which can not be avoided. Viewed against the light, the user of the awning has the impression that he sees dark stripes.

• Chalk and write effect

As with the previously mentioned processes, the cover may show a light change in colour (pigment shifting) at folded spots caused by kinking the fibre.

• Winding folds / waviness

Winding folds/rippling: This occurs due to the permanent coiling and uncoiling of the cover on the roller. This effect can be explained by the fact, that the material is thicker close to the seams, coils more loosely between the seams of the cover. This effect can occur both directly next to the seam as well as also in the middle of web.

• Other irregularities

Irregularities caused by the production process which cannot be avoided, such as

- Knots, thread thickening and thinning, which can be seen in the cloth as points of light or as nubs
- Colour deviations in cloths produced in webs (e.g. in triangular shades)
- Individual thread breakages and expansions at the seams with resulting sagging
- Sagging of the cloth due to its own weight or after the formation of a "water sack".

can occur, and are unavoidable in production.

15.5 Flexing of the awning frame

The profile of the wider systems' awning frame can flex as well because of own weight. This occurrence does not influence the awning function and running qualities.

16. Tested awning cover

The certificate "STANDARD 100 by OEKO-TEX®" guarantees that no harmful dyes or chemicals were used in the making of markilux sunsilk snc and sunvas snc awning covers.

UPF = Ultraviolet Protection Factor

Fabrics made of sunsilk snc and sunvas snc achieve the highest possible solar protection factor for textiles (UPF 50+).

An awning fabrics with an ultraviolet protection factor of 50+ enables you to sit out safely in the sun fifty times longer than you would otherwise be able to do without suffering sunburn, if you were to rely solely on the protection provided by your skin. Max. duration of sunbathing under your awning = own protection time x 50

Test mark "Selfcleaning inspired by nature"

Awning fabrics made from sunvas snc and sunsilk snc offer a self-cleaning effect in rain (a minimum of 14° awning pitch is required to ensure water run-off).



17. Legal disclaimer

The graphics and text sections in these instructions have been created with care. No liability can be borne for any errors and their effects. We reserve the right to undertake technical modifications to the product and to these instructions! The instructions contain copyright-protected information. All rights reserved! The listed product or trade names are copyright trademarks.

Operation manual

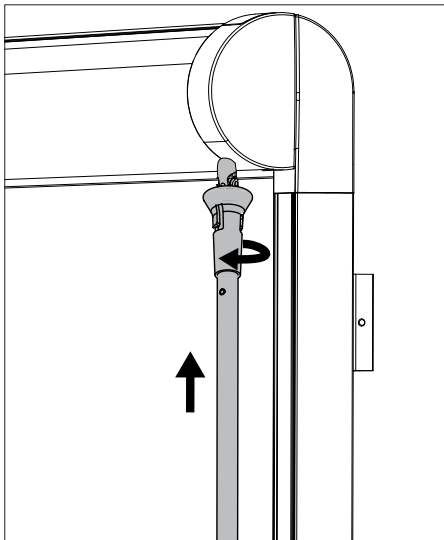
markilux 876 / 876 tracfix / 776 / 776 tracfix

1 Reading the instructions

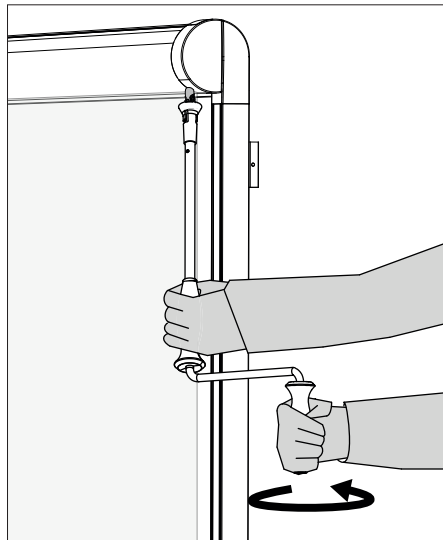
Attention!

Read the operating instructions and all the documentation pertaining to the product (handover protocol), important guidelines, etc.) carefully and completely before using the product.

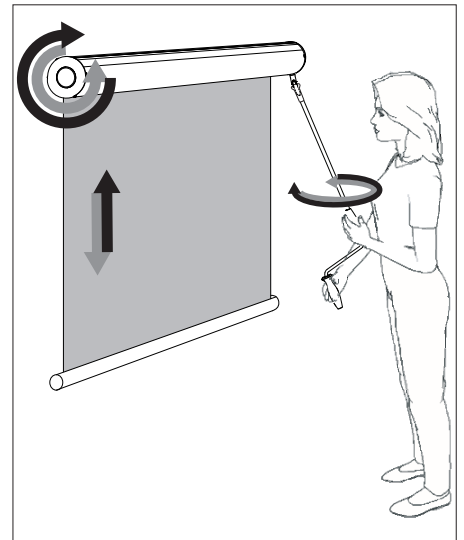
2 Awning with hand crank operation



1. Insert the funnel of the crank rod into the gear adapter and hook in through rotation.



2. Hold the crank rod with one hand on the upper and one hand on the lower turning handle. During the operating procedure, pull the crank slightly towards the operator.



If the gear eyelet is positioned on the right side (as shown here):

Extension: Turn the crank anti-clockwise.
Retraction: Turn the crank clockwise.

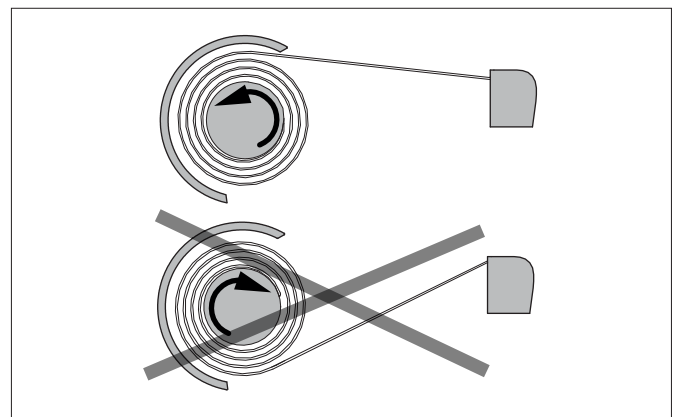
If the gear eyelet is on the left side, the directions of rotation are exactly the opposite.

Attention!

If the crank rod should remain in the gear eyelet, it must be secured against uncontrolled movements (e.g. in case of wind)!

Attention!

Awnings with manual operation have a gear limit switch to limit the extension travel. It prevents incorrect coiling of the cover onto the roller. The transmission end stop must never be approached with force. Shortly before reaching the end position in the extending direction, the crank operation should be slowed in a controlled manner in order to avoid a forced overtravel of the transmission brake. If the transmission end stop is defective, a coiling of the cover from below onto the roller during retracting can lead to damage to the awning cover and the awning frame.

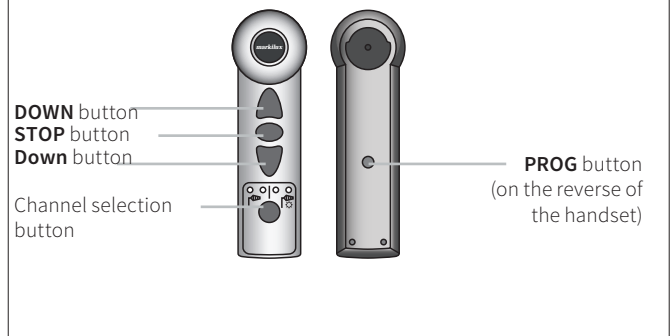


3 Awning with motorised operation

Extend the awning by actuating the pushbutton switch for extension / retraction. With radio-controlled operation, your markilux specialist must exactly explain the functions on the radio remote control to you, since, depending on the equipment, he can set these for you individually.

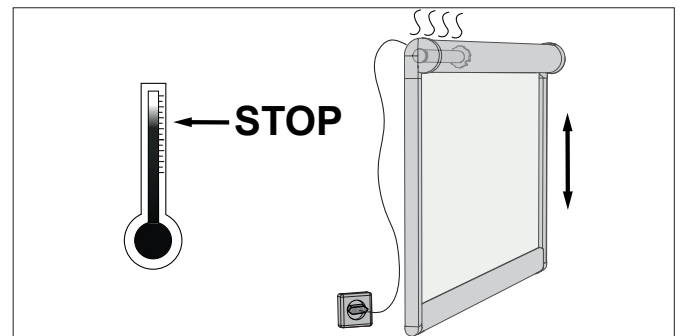
Here observe the separate operating instructions of the motor and, if available, the controller manufacturer. The final stop for awning extension / retraction is limited. The end stop for the extension direction will be set by your specialist dealer.

With markilux RTS hand-held radio remote control (4-channel transmitter):



Protection against overheating:

Multiple extension and retraction of the awning in rapid succession results in an automatic motor switch-off to preserve it from overheating. After cooling down the motor switches itself on again in operating readiness.



4 Conversion or retrofitting

The following modifications can be carried out retrospectively on your awning by your markilux specialist.

- Replacement of the awning fabric
- Installation of a motor
- Retrofitting an automatic control system. In principle a motor drive must be available. Ask your specialist retailer about sun and wind sensors, remote control, Vibrabox etc.

5 Maintenance and care

⚠ Attention!

For awnings with a controller, the automatic control is to be switched off beforehand and the wind sensor secured by disconnecting the power supply!

Kindly consult also the information sheet "Important instructions for the users ..."

⚠ Attention!

For awnings with a controller, the automatic control is to be switched off beforehand and the wind sensor secured by disconnecting the power supply!

Cleaning the guide tracks

In order to eliminate accumulated dirt on the awning frame, only commercially available household detergents for delicate surfaces (pH-value: between 5 und 8) are to be used. Caustic acids and materials which cause scratches (like fleece containing abrasive material, emery, sand, pumice etc.) are not allowed, since they could strongly change the surface.

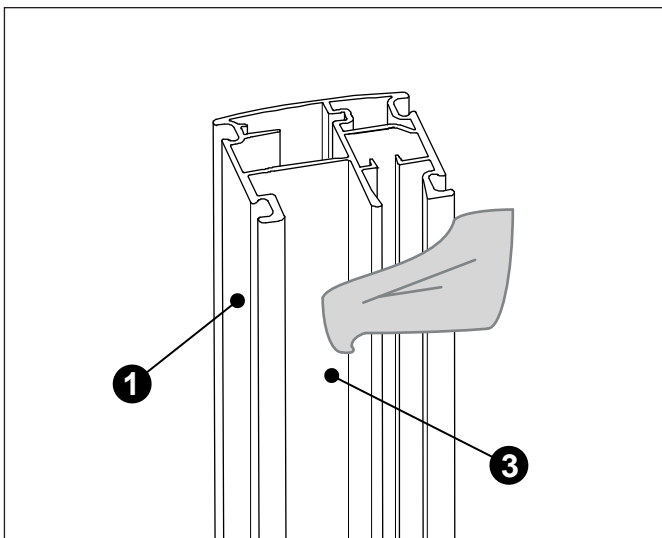


Fig. 1: Without the tracfix- System

Accumulations of dirt in the lateral guide rails (1) may lead to noises during retraction and extension. The development of noise can be avoided through regular cleaning and polishing of the contact surfaces and guide tracks in the track area (3).

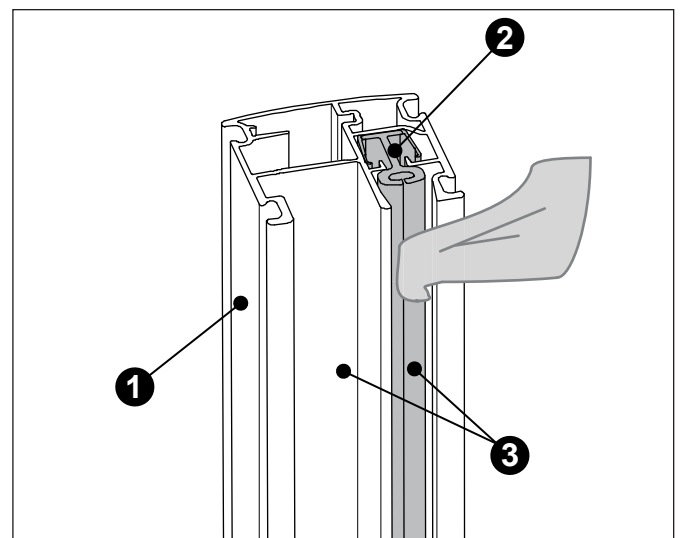


Fig. 2: With the tracfix- System

Accumulations of dirt in the lateral guide rails (1) in the area of the tracfix system (2) may lead to noises during retraction and extension. Regular cleaning and polishing of the track profile (3) can prevent noises.

6 Cleaning and care markilux panorama window

The different properties of polyester fabrics and those of the window foil may, depending on the temperature and conditions, lead to the formation of wrinkles, fraying, curved lines where the materials meet and to squeaking. The foil may also become electrostatically charged. Scuff marks and scratches in the panorama window itself may become evident.

Moisture on the foil can lead to a change in the chemical properties of the plasticising agent, which may lead to the foil becoming cloudy. Hot conditions and rolling the material up when damp may exacerbate this effect. Consequently it is to be recommended that any moisture on the foil be allowed to evaporate before the blind is retracted. However, because of wide variations in climate conditions, no guarantees can be given in this regard.

The bottom limit of the blind may alter slightly as the window foil slowly stretches and may have to be reset at a later date.

The blind may only be extended and retracted if the ambient temperature is between +5°C and +35°C.

For cleaning and care, the regular use of a suitable rinse and smear-free film cleaning agent is recommended:

Christalplus – Apco – cleaner

0.75 litre bottle

order number **7095079**