



Above glass awning

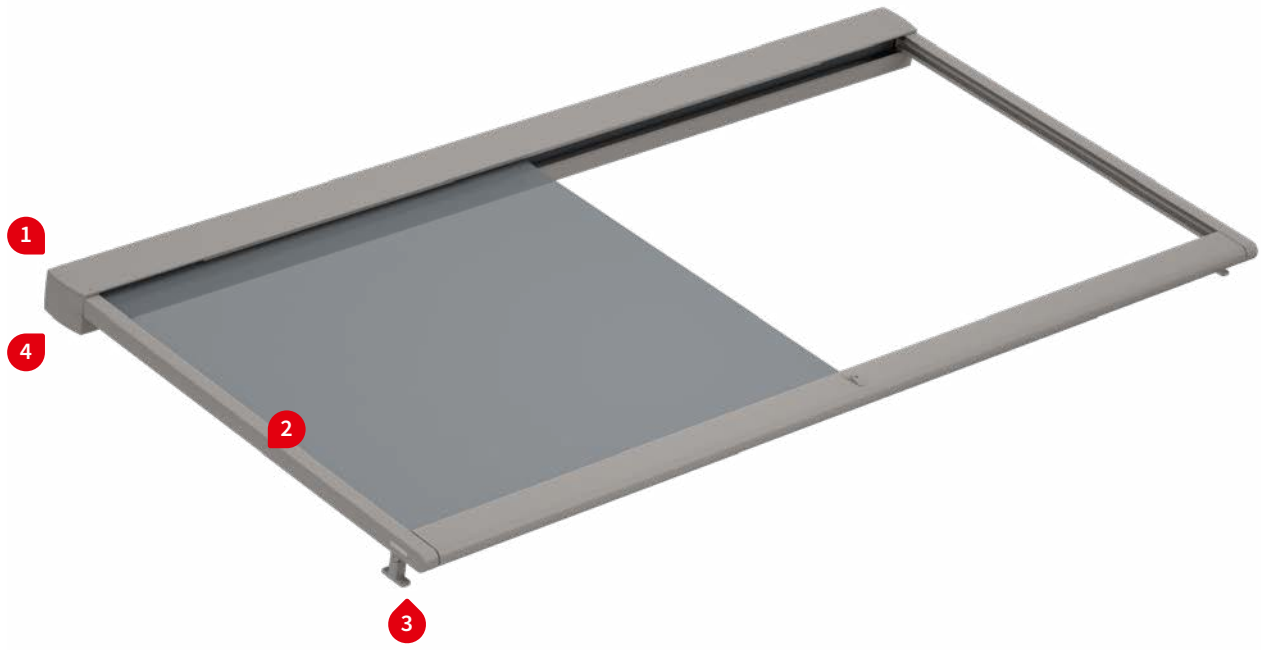
markilux 7800 / 7800 tracfix

Classic, angular cassette design in combination with proven technology – offering shade over a very large area.

Product Characteristics

Wind resistance class 3
Beaufort 6 → 38–48 km/h → 10.5–13.4 m/s → 24–30 mph

01
02
03
04
05
06
07
08
09
10
11



12

1 bottom fixture



1 face fixture



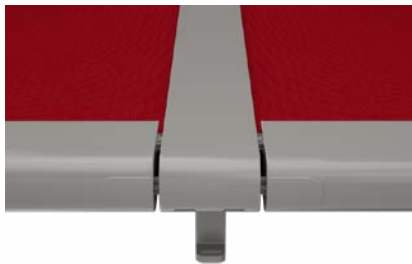
2 tracfix cover guidance – no gap between cover and track¹⁾



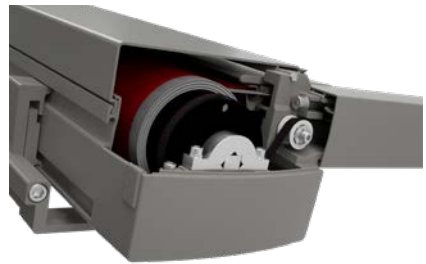
3 when extended, the front profile finishes flush with the end of the guide tracks



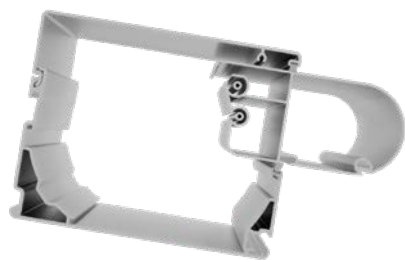
3 coupling track



4 maintenance opening in the cassette



4 awning retracted, all round cover protection



1) Optional accessories

Product Characteristics

Description

- exterior awning for conservatories, glass canopies and large skylights
- the ingenious tensioning system and the sturdy design allow areas of up to 36 m² to be shaded by one awning (with tracfix system 30 m²) – up to 5 awnings can be coupled together

Special features

- fully encompassing cassette that protects the cover perfectly
- the awning cover is bonded with stabilising vertical panel joints – in the case of the series sunvas, sunsilk, sunbow and perla FR the standard panel width is 60 cm (perfortex 120 cm / Soltis Perform 92 88,5 cm / transolair 84 cm) – in order to achieve the optimum overall cover tension and stability
- tracfix optional: the continuous lateral cover guidance system that leaves no gap between the cover and guide tracks – gives improved wind stability and a cleaner appearance
- option of a silentec motor – motor noise is appreciably reduced
- tried-and-tested tensioning system with drive belts and integrated gas pistons – delivers optimum cover tension – in any phase of extension
- the broad range of brackets with patented clip-on system offers individual fixture solutions
- can be combined with vertical cassette markilux 776 / 620 tracfix / 625 tracfix

Dimensions

- single unit: 60–700 cm in width, maximum extension 700 cm (depending on the width)
- maximum dimensions, width × extension: 500 × 700 cm / 550 × 650 cm / 600 × 600 cm / 650 × 500 cm / 700 × 450 cm (without tracfix system)
- maximum dimensions, width × extension: 500 × 600 cm / 550 × 500 cm / 600 × 450 cm (with tracfix system)
- intermediate sizes are available

Roller tube and lateral bearings

- round roller tube Ø 95 mm with keyway, galvanised steel – excellent stability, ensures near perfect cover performance even at the largest widths
- the roller tube bearing is made of die-cast aluminium

Awning profiles

- extruded aluminium, in facade quality, powder coated
- cassette profile in two pieces, angular, height × depth 200 mm × 160 mm
- guide tracks angular, width × height 60 mm × 70 mm (coupled unit 116 × 70 mm)
- front profile rounded at the front, depth × height 150 mm × 70 mm

End caps

- in order to achieve the optimum overall cover tension and stability
- the maintenance covers on the cassette are made of die-cast aluminium, powder coated
- the front profile end caps are made of high-quality plastic, powder coated

Fixture brackets

- extruded aluminium, powder coated
- cassette brackets: bottom fixture, face fixture, top fixture
- brackets for the guide tracks: stand-off brackets for bottom fixture, lateral fixture, reveal fixture
- standard bracket heights: 100 mm / 140 mm / 100–500 mm (bespoke heights can be ordered)
- track-only fixture of the awning is possible up to a fixture width of 600 cm without any housing support
- other accessories are available

01 **Frame colours**02 **markilux frame colours without surcharge**

03 traffic white, RAL 9016



04 metallic aluminium, RAL 9006



05 grey brown, similar to RAL 8019

07 off-white textured finish, 5233 ¹⁾08 stone grey metallic, 5215 ¹⁾09 anthracite metallic, 5204 ¹⁾12 havana brown textured finish, 5229 ¹⁾17 **Non-standard powder-coated finish**

18 Bespoke frame colours incur a surcharge – matt, metallic, finely textured and pearl finishes as well as other colour ranges (DB, Tiger etc.) on request. All frame colours are available at a surcharge with enhanced corrosion protection.

19 Colours may differ slightly from those depicted in both hue and finish.

1) textured finish

Dimensions and configuration options

Single unit

Order dimensions	Awning fixture width												Minimum fixture width				
	150	200	250	300	350	400	450	500 ¹⁾	550 ¹⁾	600 ¹⁾	650 ¹⁾	700 ¹⁾	Hard-wired motor	Radio-controlled motor			
	60 150	151 200	201 250	251 300	301 350	351 400	401 450	451 500	501 550	551 600	601 650	651 700					
H	150															60 [73]	68 [81]
	200																
	250																
	300																
	350																
	400 ²⁾	•	•	•	•	•	•	•	•	•	•	•	•	•	•		
	450 ²⁾	•	•	•	•	•	•	•	•	•	•	•	•	•	•		
	500 ²⁾	•	•	•	•	•	•	•	•	•	•	•	•	•	•		
	550 ²⁾	•	•	•	•	•	•	•	•	•	•	•	•	•	•		
	600 ²⁾	•	•	•	•	•	•	•	•	•	•	•	•	•	•		
	650 ²⁾	•	•	•	•	•	•	•	•	•	•	•	•	•	•		
	700 ²⁾	•	•	•	•	•	•	•	•	•	•	•	•	•	•		

- 1) = depending on the fixture method, a central angled support bracket is necessary for a cover support tube from a width of 451 cm
- 2) = from an extension of 401 cm an additional track bracket per track is required
- = 1 cover support tube, if unit is without tracfix
- = 2 cover support tubes, if unit is without tracfix
- [] = dimensions in the case of tracfix units
- H = extension

= tracfix (optional)
 = tracfix not available

Operation

	standard	optional
crank handle	—	—
hard-wired motor	✓	—
silentec motor (optionally with an external io / RTS receiver)	—	✓
radio-controlled motor io, 868 MHz	—	✓
radio-controlled motor RTS, 433 MHz	—	✓

Awning cover

Awning cover	fabric pattern no.	standard	optional
sunvas ^{1) 6)}	300..–315..	✓	—
sunsilk ^{1) 6)}	324.. / 325.. / 328.. / 369..	✓	—
sunbow ^{1) 6)}	411..–427..	✓	—
smart art ¹⁾	340..	—	✓
perla FR ^{1) 5)}	371.. / 372..	—	✓
perfortex ²⁾	331.. / 332..	✓	—
transolair ³⁾	338..	—	✓
transolair (120 cm)	339..	—	✓
Soltis Perform 92	92–20..	—	✓
Serge 600	272..	—	—

Standard fabric panel widths

1) 60 cm 2) 120cm 3) 84 cm

4) 88,5 cm 5) Only in tracfix units

6) In the case of striped patterns, a symmetrical pattern repeat at every second seam is not possible.

Coupled awnings

2–5 fields, 1 motor per field
alternatively 2 fields 1 motor / 3 fields 2 motors / 4 fields 2 motors
maximum size per field: see “single unit” dimensions

General notes

Different field extensions are available in a coupled awning. The rolling up behaviour of the covers may vary in coupled awnings that have different field sizes. This does not effect the functionality of the awning or shorten the service life of the covers.

Shadeplus

not available

Optional accessories

tracfix – cover guidance system holding the cover neatly in the guide rails
storm safety clip for the cassette
wall sealing profile
several motors in a coupled awning, can be operated independently
automatic controls (light, wind, rain)

N.B. Important background information can be found in the chapter “Optional Accessories”

Dimensions and configuration options

Coupled unit, 2 fields ⁴⁾

		Awning fixture width									
		500 ³⁾	600 ³⁾	700 ³⁾	800	900	1000	1100	1200	1300	1400
Order dimensions		401	501	601	701	801	901	1001	1101	1201	1301
		500	600	700	800	900	1000	1100	1200	1300	1400
Overall width		+ 10									
H	150										
	200										
	250										
	300										
	350										
	400
	450
	500	—
	550	—	—
	600	—	—
	650	—	—	—
700	—	—	—	—	

12

Coupled unit, 3 fields ⁴⁾

		Awning fixture width															
		600 ³⁾	700 ³⁾	800	900	1000	1100	1200	1300	1400	1500	1600	1700	1800	1900	2000	2100
Order dimensions		551	601	701	801	901	1001	1101	1201	1301	1401	1501	1601	1701	1801	1901	2001
		600	700	800	900	1000	1100	1200	1300	1400	1500	1600	1700	1800	1900	2000	2100
Overall width		+ 10															
H	150																
	200																
	250																
	300																
	350														.	.	.
	400
	450
	500 ²⁾	—
	550	—	—	—
	600	—	—	—
	650 ¹⁾	—	—	—	—
700	—	—	—	—	—	—	

- 1) = maximum fixture width of 1650 cm
- 2) = maximum fixture width of 1950 cm
- 3) = the cassette will be supplied in one piece as standard. If, for transportation or installation reasons, the cassette needs to be split, please note this explicitly when ordering.
- 4) = maximum field dimensions: see dimension overview for a single unit
- = 1 cover support tube, if unit is without tracfix
- = 2 cover support tubes, if unit is without tracfix
- H = **order dimension** = extension

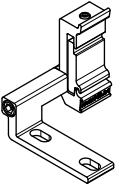
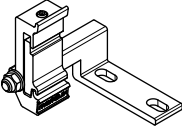
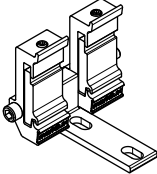
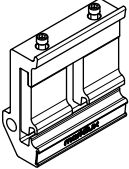


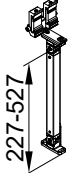
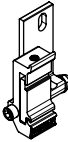
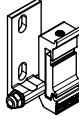
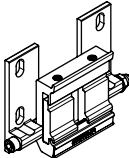
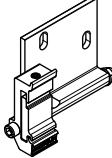
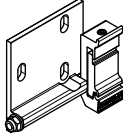
= tracfix (optional)

 = tracfix not available

dimensions in cm

Fixtures, fittings and accessories

Bottom fixture brackets, cassette

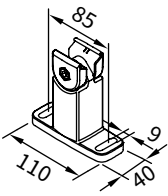
 <p>bottom fixture left</p> <p>60557.</p>	 <p>bottom fixture right</p> <p>60558.</p>	 <p>coupling bracket cassette bottom fixture</p> <p>60572.</p>
 <p>coupling bracket cassette for track fixture</p> <p>60602.</p>	 <p>raised cassette bracket left</p> <p>60605.</p>	 <p>raised cassette bracket right</p> <p>60606.</p>
 <p>raised cassette bracket coupling</p> <p>60607.</p>	 <p>face fixture bracket left</p> <p>pitch adjustment range 0°–35°</p> <p>60569.</p>	 <p>face fixture bracket right</p> <p>pitch adjustment range 0°–35°</p> <p>60570.</p>
 <p>coupling bracket cassette wall</p> <p>pitch adjustment range 0°–35°</p> <p>60575.</p>	 <p>face fixture wide left</p> <p>pitch adjustment range 0°–35°</p> <p>60615.</p>	 <p>face fixture wide right</p> <p>pitch adjustment range 0°–35°</p> <p>60616.</p>

01
02
03
04
05
06
07
08
09
10
11
12
13
14
15
16
17
18
19

Fixtures, fittings and accessories

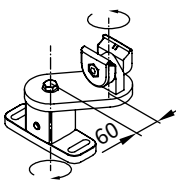
Track bracket

01
02
03
04
05
06
07
08
09
10
11
12
13
14
15
16
17
18
19



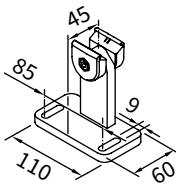
track bracket, with adjustable head
100 mm

76046.



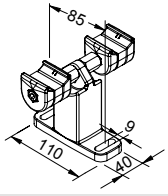
windmill track bracket
100 mm

76054.



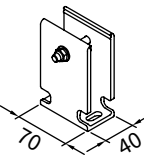
track bracket with offset footplate
100 mm

76199.



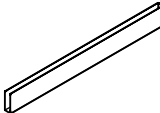
double track bracket with adjustable head
100 mm

76191.



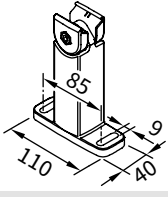
track bracket for track-only fixture, rigid
100 mm

76017.



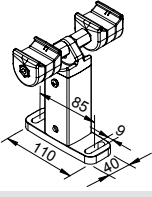
track bracket for track-only fixture, rigid by the metre, undrilled, 100 mm maximum length 6 mm

76013.



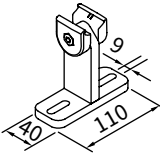
track bracket, with adjustable head
140 mm

76048.



double track bracket with adjustable head
140 mm

76192.



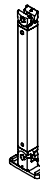
track bracket for conservatory transom fixture
100 mm

76055.



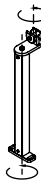
track bracket, with adjustable head
140-500 mm

76047.



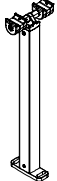
track bracket, with adjustable head and foot
200-500 mm

76045.



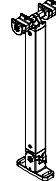
universal track bracket with adjustable head
140-500 mm

76053.



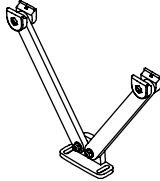
double track bracket with adjustable head
140-500 mm

76193.



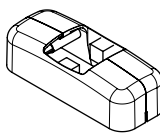
double track bracket with adjustable head and foot
200-500 mm

76194.



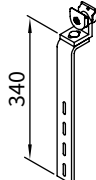
vario-V bracket for track fixture

76052.



covering cap for square track bracket
standard accessory for bracket

2 x 76718.

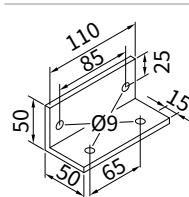
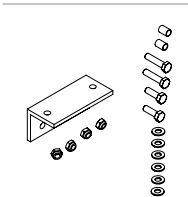
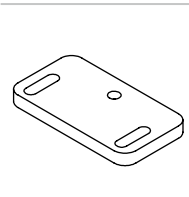
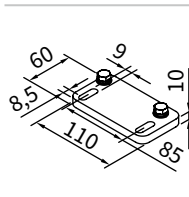
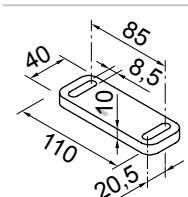
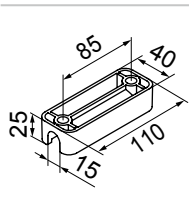
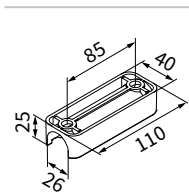
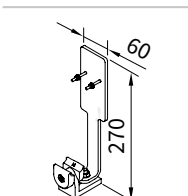
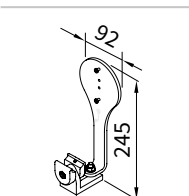
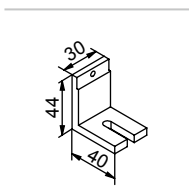
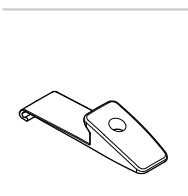
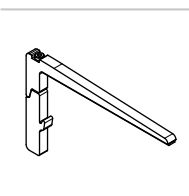
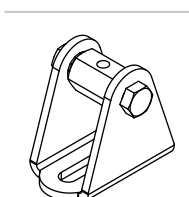
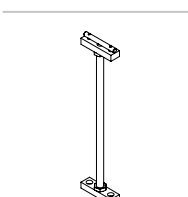


flat track bracket with adjustable head
for lateral guide track fixture

76049.

Fixtures, fittings and accessories

Accessories

 <p>angled mounting bracket</p> <p>76098.</p>	 <p>angled mounting bracket 76098. including coupling bolts</p> <p>76099.</p>	 <p>adapter plate for track bracket 110 × 60 × 10 mm</p> <p>78158.</p>
 <p>adapter plate for track bracket 110 × 60 × 10 mm</p> <p>78165.</p>	 <p>spacer plate for track bracket 110 × 40 × 10 mm</p> <p>78570.</p>	 <p>track bracket accessory width 14 mm for direct assembly on conservatory rafters</p> <p>76804.</p>
 <p>track bracket accessory width 25 mm for direct assembly on conservatory rafters</p> <p>76805.</p>	 <p>fixture bracket for light and / or wind and/or rain sensor</p> <p>76050.</p>	 <p>bracket for sun and/or wind sensor io</p> <p>76723.</p>
 <p>angled bracket to prevent deflection of the cover support tube for bracket height 100 mm</p> <p>76065.</p>	 <p>storm safety clip / closing guide</p> <p>60549.</p>	 <p>storm safety bracket</p> <p>60583.</p>
 <p>diagonal tensioning kit 4 wire tensioners, 1 tensioning wire (stainless steel)</p> <p>71790.</p>	 <p>support bracket to prevent deflection of the cover support tube can be shortened to between 70–320 mm (with clamp plate)</p> <p>71780.</p>	

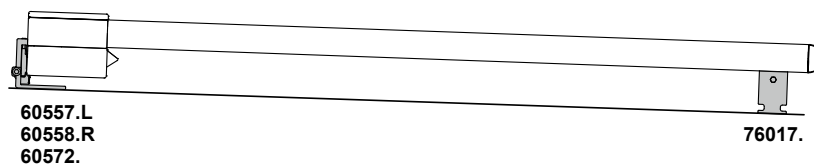
01
02
03
04
05
06
07
08
09
10
11
12
13
14
15
16
17
18
19

01 **Fixture types**

Bottom fixture

02

03 **11**

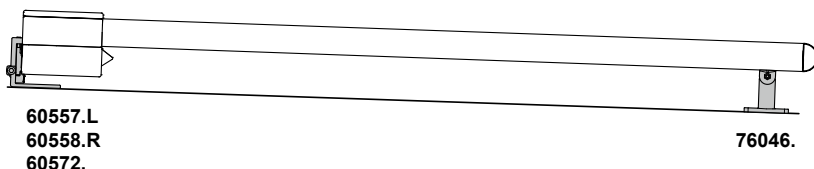


04

05

06

07 **14**



08

09

10 **21**



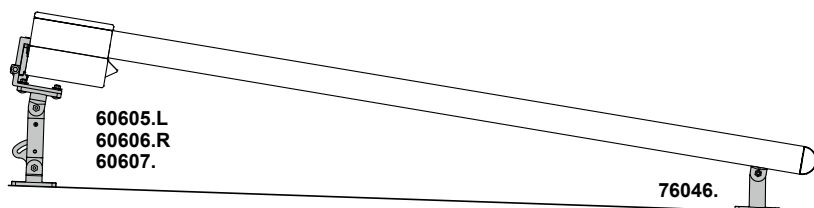
11

12

13

14 **61**

Up to an extension of 400 cm

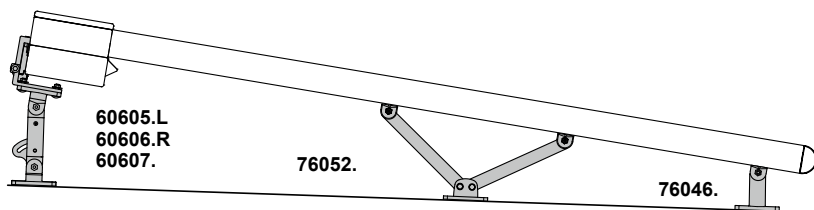


15

16

17 **81**

From an extension of 401 cm



18

19

Individual bracket selection:

See "Fixtures, fittings and accessories".

Bottom fixture

Awning extension > 400 cm, always 2 brackets per guide track.

Fixture types

Track-only fixture

31



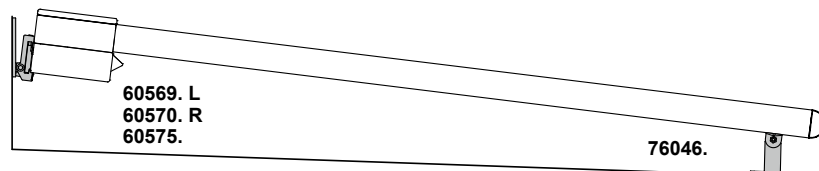
32



Face fixture

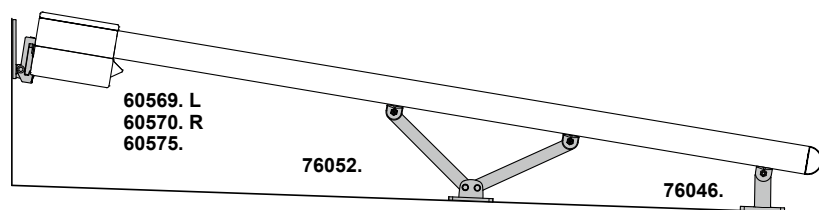
12

Up to an extension of 400 cm



51

From an extension of 400 cm



22



Individual bracket selection:

See "Fixtures, fittings and accessories".

Track-only fixture

Awning extension > 400 cm, always 3 brackets per guide track.

Face fixture

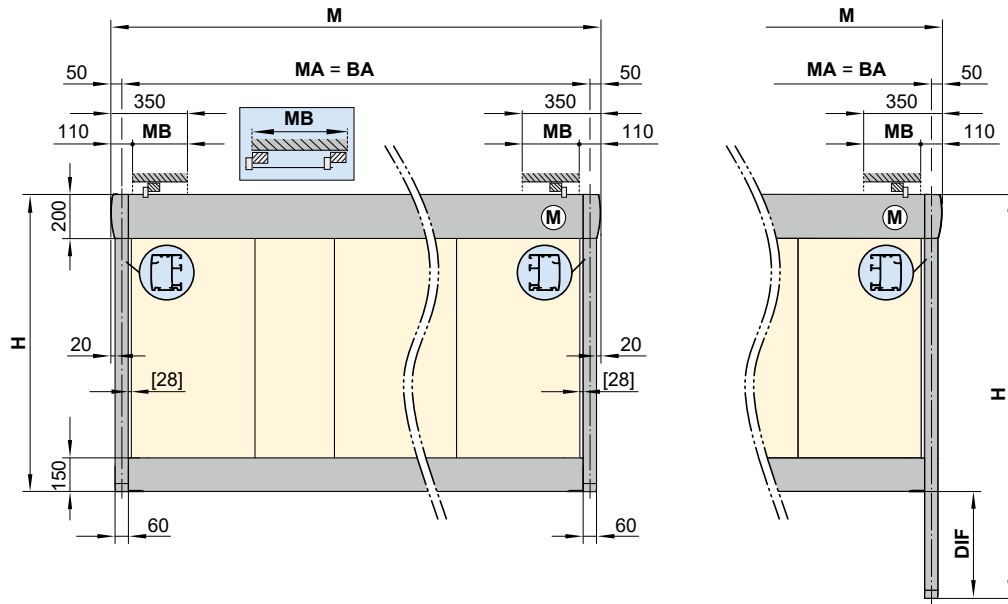
Awning extension > 400 cm, always 2 brackets per guide track.

01
02
03
04
05
06
07
08
09
10
11
12
13
14
15
16
17
18
19

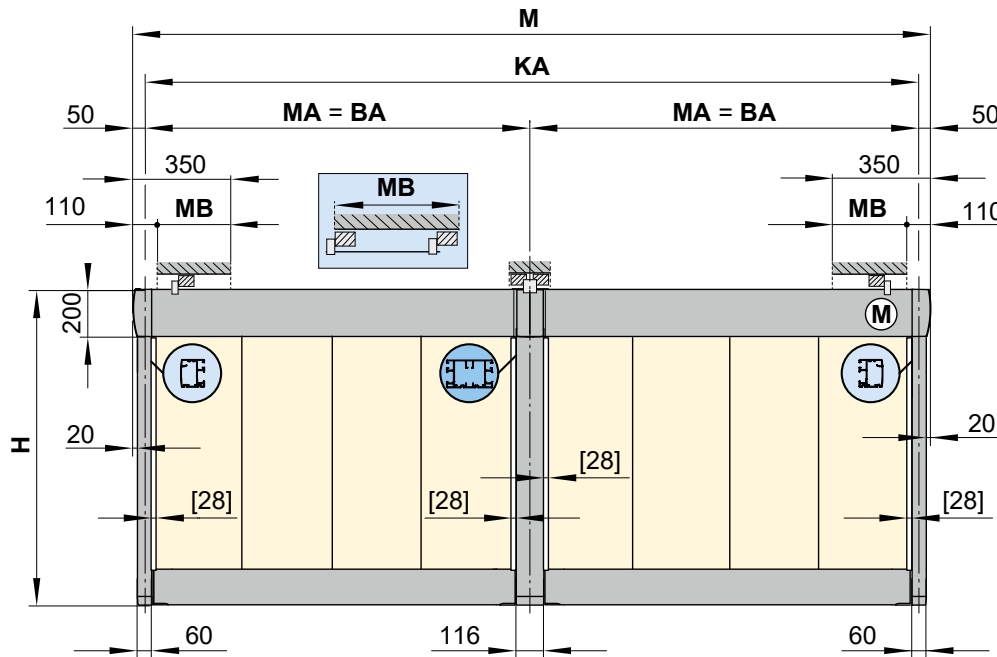
Overview of dimensions

Single unit 1 field, 1 motor

Guide track variant, asymmetrical lengths



12 Coupled unit, 2 fields, 1 motor



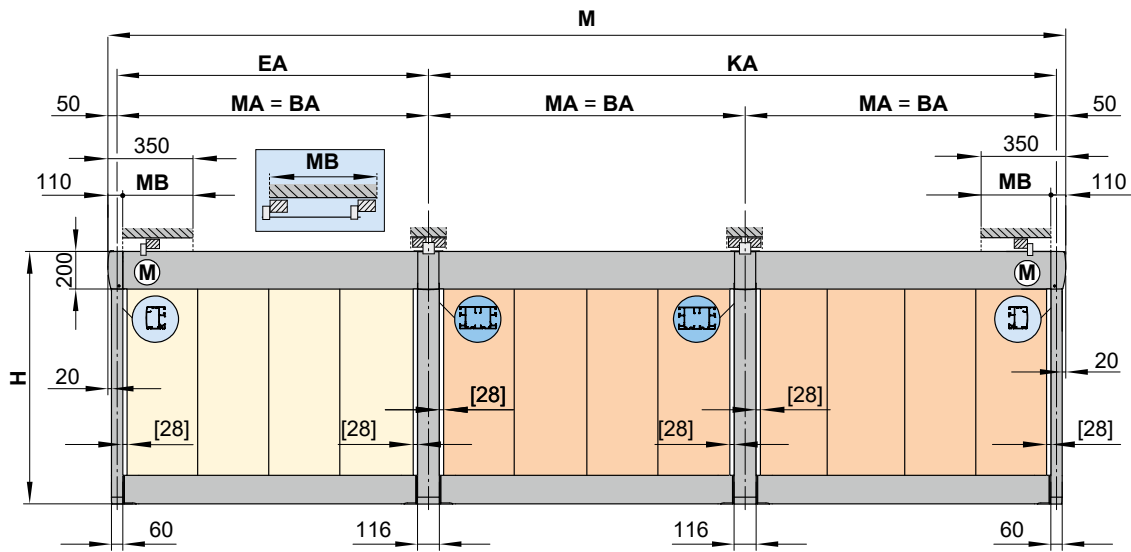
- [...] = dimensions of the cover gap in a standard unit, no cover gap in units with tracfix system
- BA = width between fixture points
- DIF = difference in measurement
- H = **order dimension** = projection
- KA = overall fixture width coupled awning

- M = overall blind width = MA + 100 mm
- MA = **order dimension** = awning fixture width = fixture width
- MB = bracket fixture range
- Ⓜ = motor

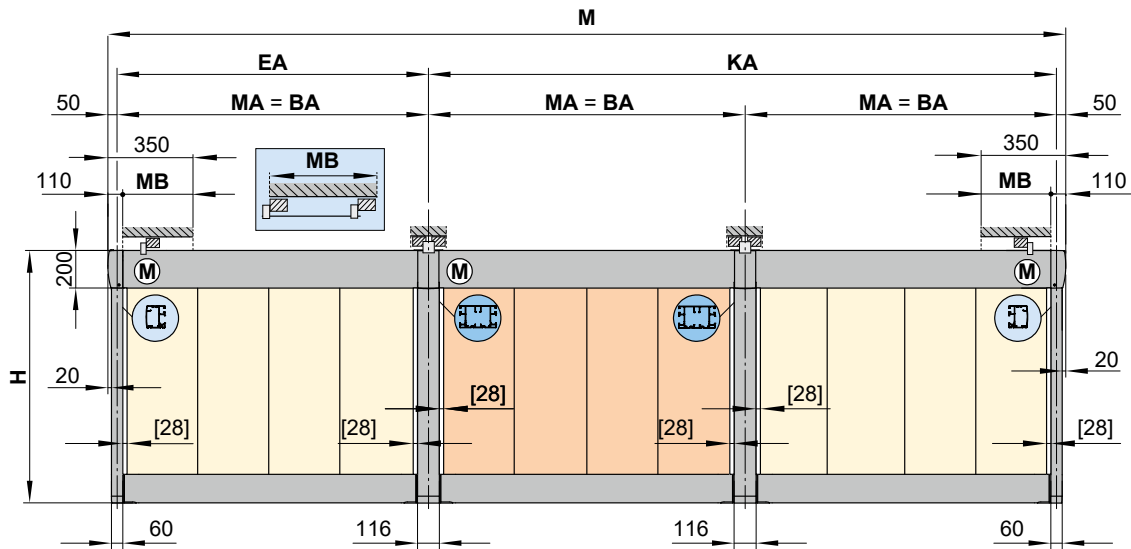
dimensions in mm

01 Overview of dimensions

02 Coupled unit, 3 fields, 2 motors



12 Coupled unit, 3 fields, 3 motors



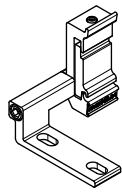
- [...] = dimensions of the cover gap in a standard unit, no cover gap in units with tracfix system
- BA = width between fixture points
- DIF = difference in measurement
- EA = single unit
- H = order dimension = projection

- KA = coupled unit
- M = overall blind width = MA + 100 mm
- MA = order dimension = awning fixture width = fixture width
- MB = bracket fixture range
- Ⓜ = motor

dimensions in mm

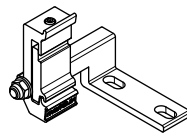
Dimension overview fixture combination 11

Fixtures, fittings and accessories



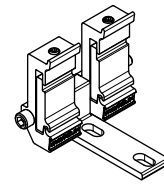
bottom fixture left

60557.



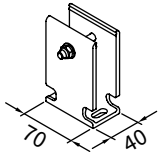
bottom fixture right

60558.



coupling bracket cassette bottom fixture

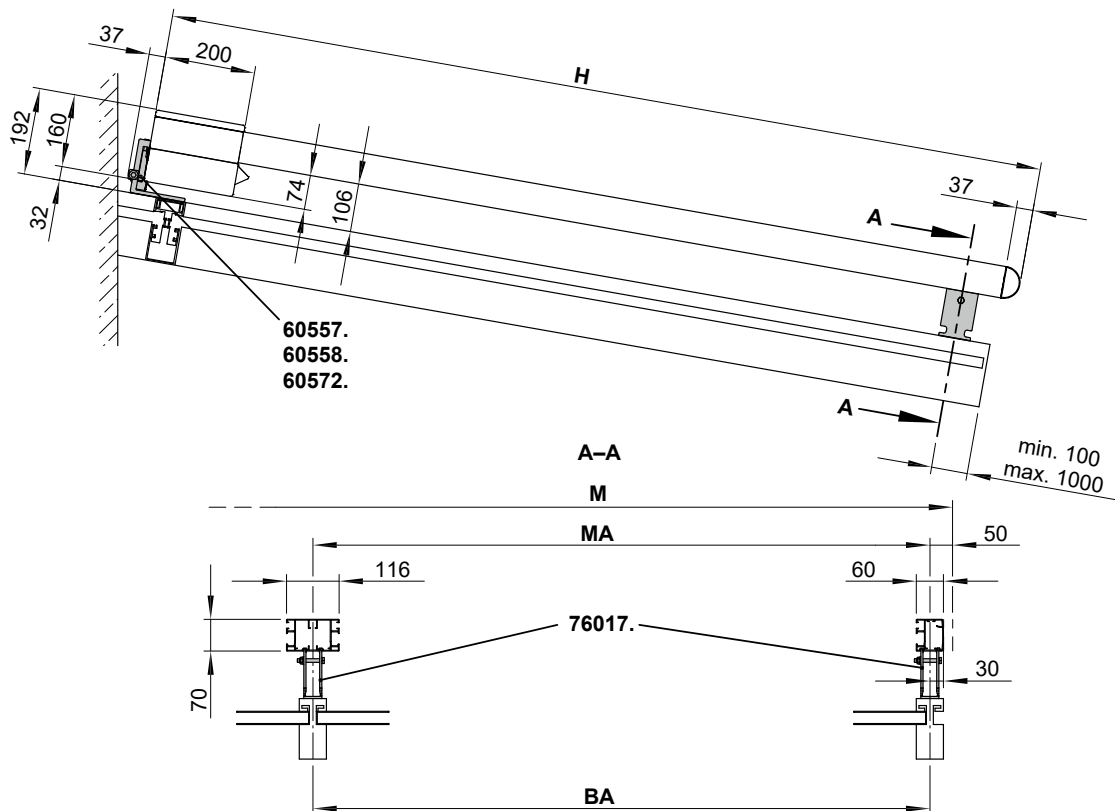
60572.



track bracket for track-only fixture, rigid

100 mm

76017.



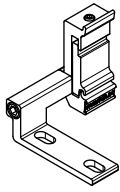
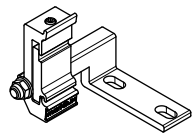
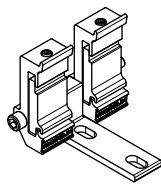
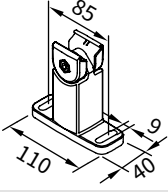
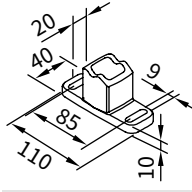
- BA = width between fixture points
- H = **order dimension** = extension
- M = awning width
- MA = **order dimension** = awning fixture width = fixture width

dimensions in mm

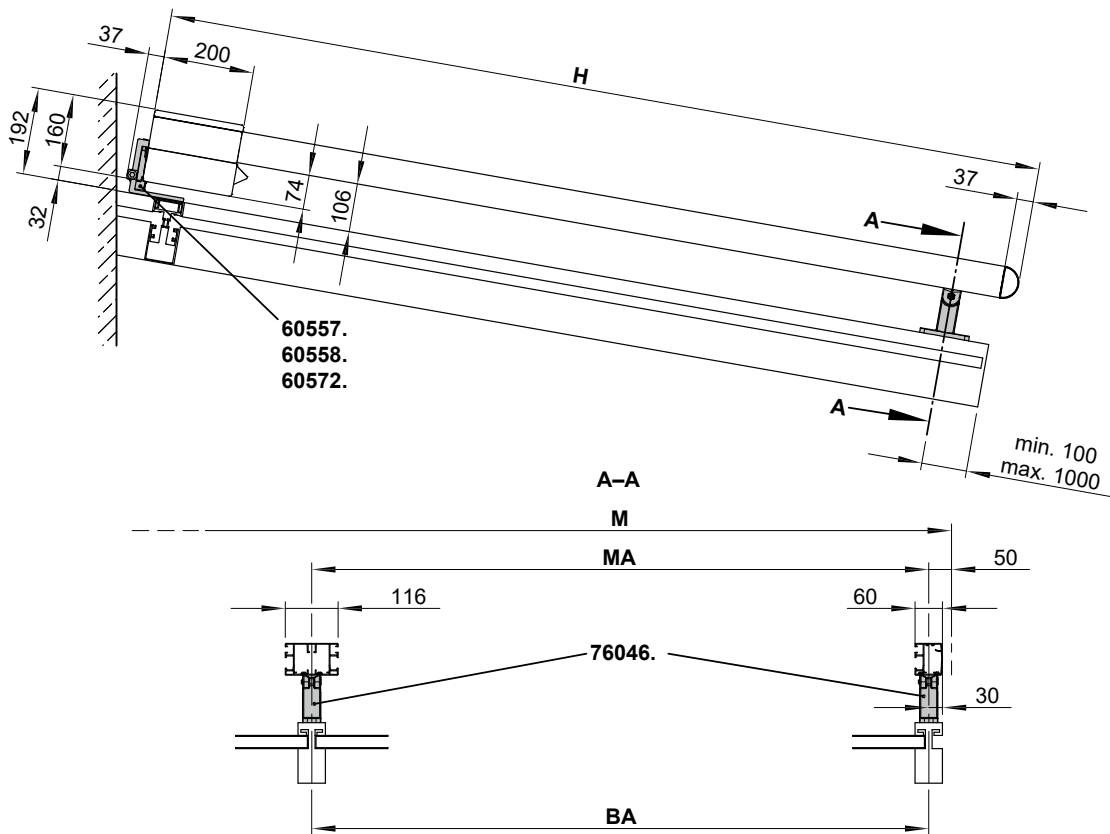
01
02
03
04
05
06
07
08
09
10
11
12
13
14
15
16
17
18
19

Dimension overview fixture combination 14

Fixtures, fittings and accessories

 <p>bottom fixture left</p> <p>60557.</p>	 <p>bottom fixture right</p> <p>60558.</p>	 <p>coupling bracket cassette bottom fixture</p> <p>60572.</p>
 <p>track bracket, with adjustable head</p> <p>100 mm</p> <p>76046.</p>	 <p>dimensions track bracket with adjustable head</p> <p>76002.</p>	

12

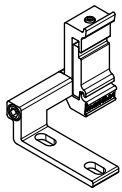


- BA** = width between fixture points
- H** = **order dimension** = extension
- M** = awning width
- MA** = **order dimension** = awning fixture width = fixture width

dimensions in mm

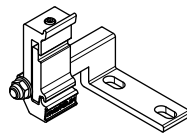
Dimension overview fixture combination 21

Fixtures, fittings and accessories



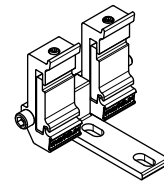
bottom fixture left

60557.



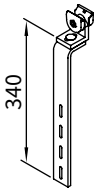
bottom fixture right

60558.



coupling bracket cassette bottom fixture

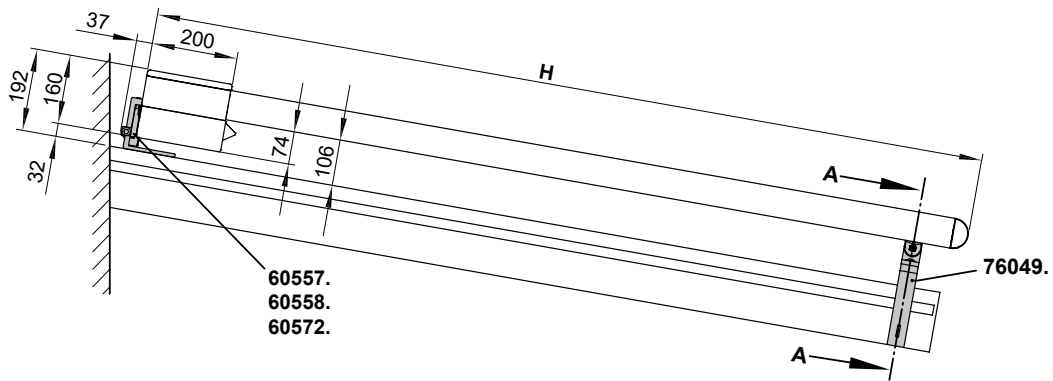
60572.



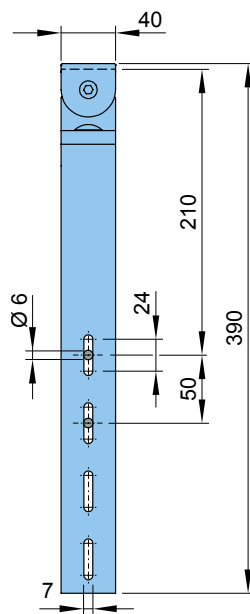
flat track bracket with adjustable head

for lateral guide track fixture

76049.



60557.
60558.
60572.



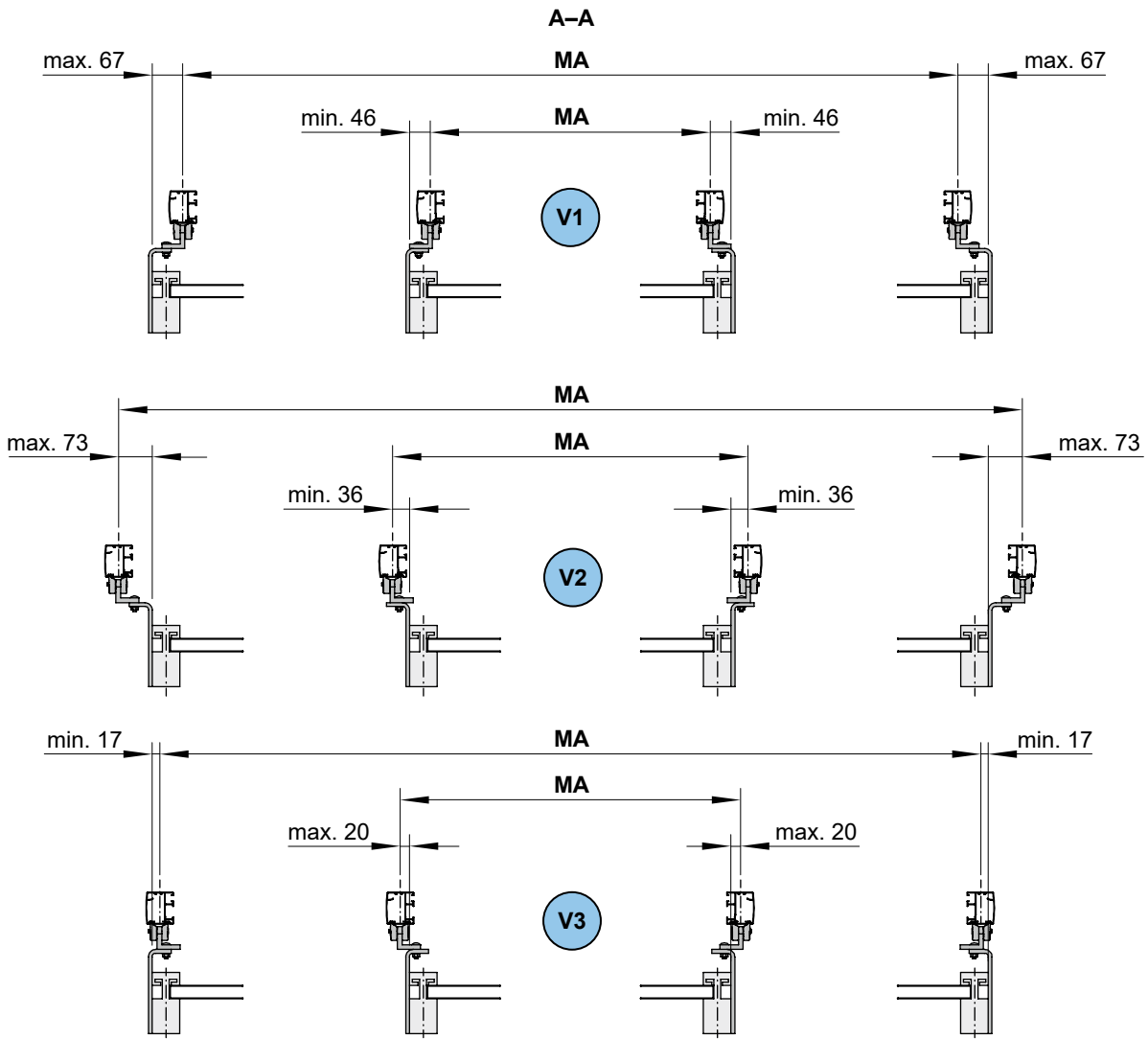
H = order dimension = extension

dimensions in mm

01
02
03
04
05
06
07
08
09
10
11
12
13
14
15
16
17
18
19

01 **Dimension overview fixture combination 21**

02 Alternative installation options

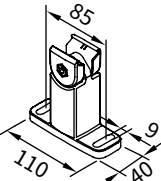
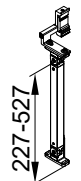




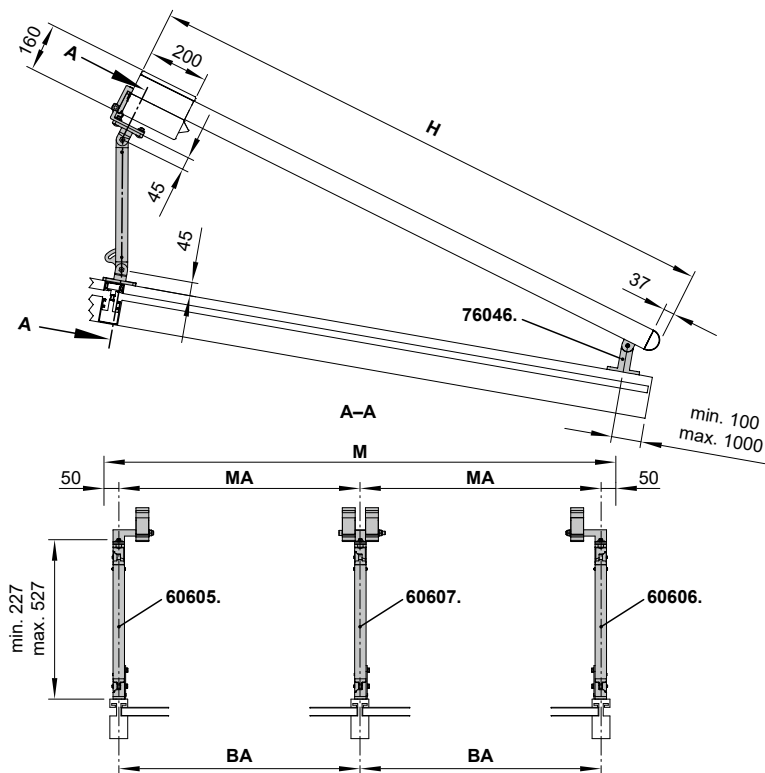
MA = order dimension = blind fixture width = fixture width
 V1, V1, V3 = variants

dimensions in mm

Overview of dimensions, fixture type 61 (up to an extension of 400 cm)

Fixtures, fittings and accessories

 <p>track bracket, with adjustable head</p> <p>100 mm</p> <p>85 110 40 9</p> <p>76046.</p>	 <p>raised cassette bracket left</p> <p>227-527</p> <p>60605.</p>	 <p>raised cassette bracket right</p> <p>227-527</p> <p>60606.</p>
 <p>raised cassette bracket coupling</p> <p>227-527</p> <p>60607.</p>		



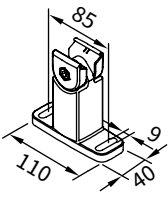
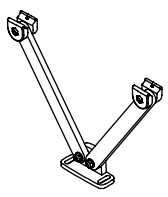
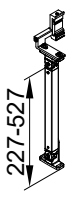
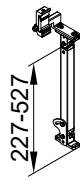
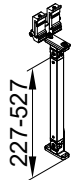
- BA = width between fixture points
- H = **order dimension** = extension
- M = awning width
- MA = **order dimension** = awning fixture width = fixture width

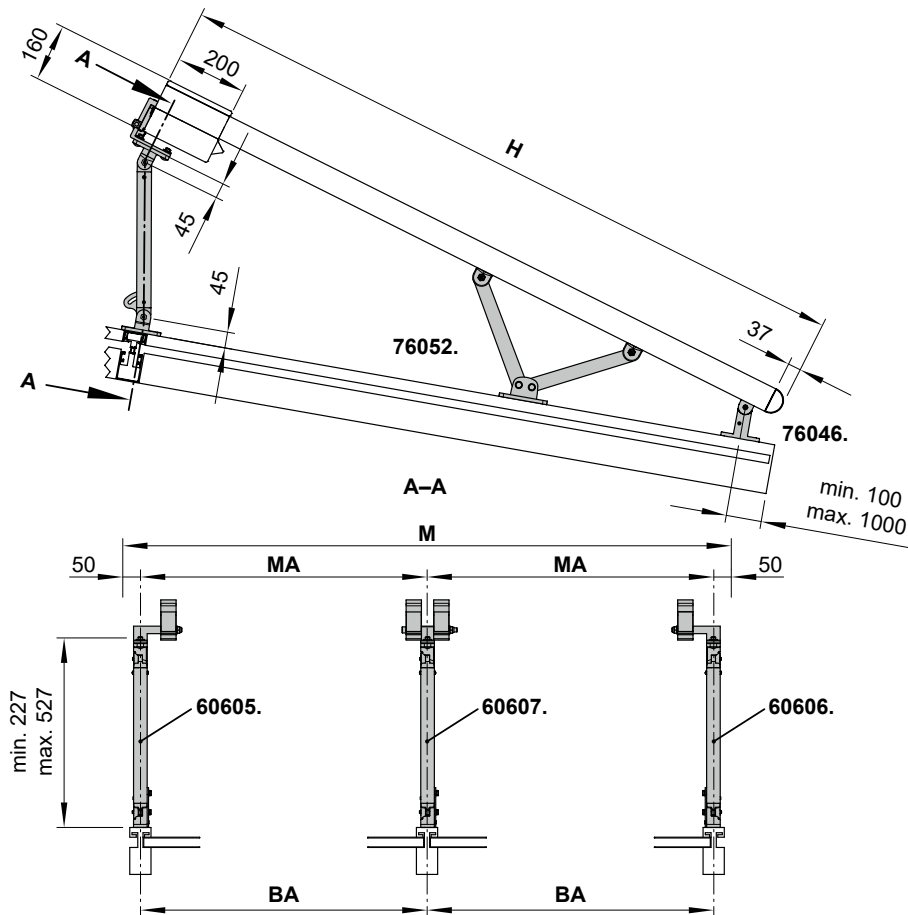
dimensions in mm

01
02
03
04
05
06
07
08
09
10
11
12
13
14
15
16
17
18
19

Overview of dimensions, fixture type 81 (from an extension of 400 cm)

Fixtures, fittings and accessories

 <p>track bracket, with adjustable head</p> <p>100 mm</p> <p>76046.</p>	 <p>vario-V bracket for track fixture</p> <p>76052.</p>	 <p>raised cassette bracket left</p> <p>227-527</p> <p>60605.</p>
 <p>raised cassette bracket right</p> <p>227-527</p> <p>60606.</p>	 <p>raised cassette bracket coupling</p> <p>227-527</p> <p>60607.</p>	

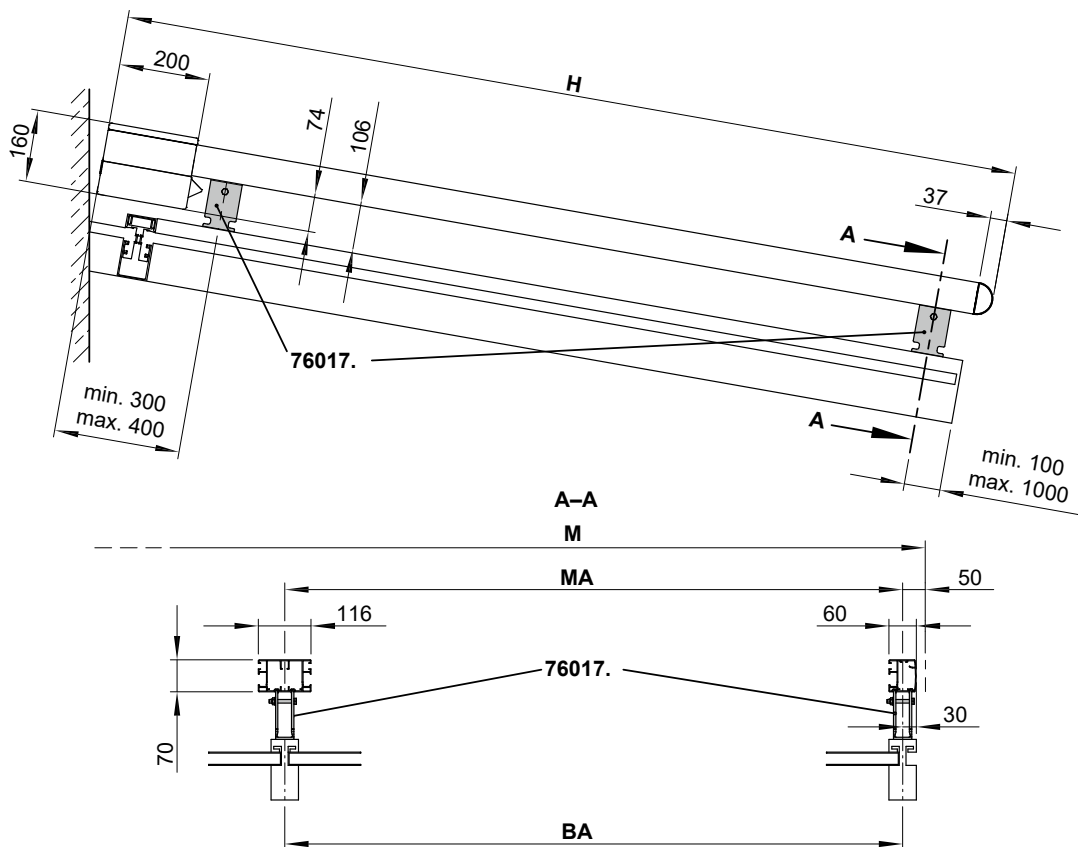
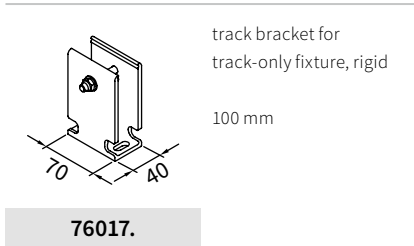


- BA** = width between fixture points
- H** = **order dimension** = extension
- M** = awning width
- MA** = **order dimension** = awning fixture width = fixture width

dimensions in mm

Dimension overview fixture combination 31

Fixtures, fittings and accessories



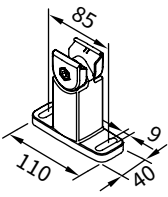
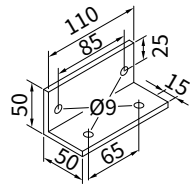
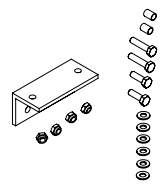
- BA = width between fixture points
- H = **order dimension** = extension
- M = awning width
- MA = **order dimension** = awning fixture width = fixture width

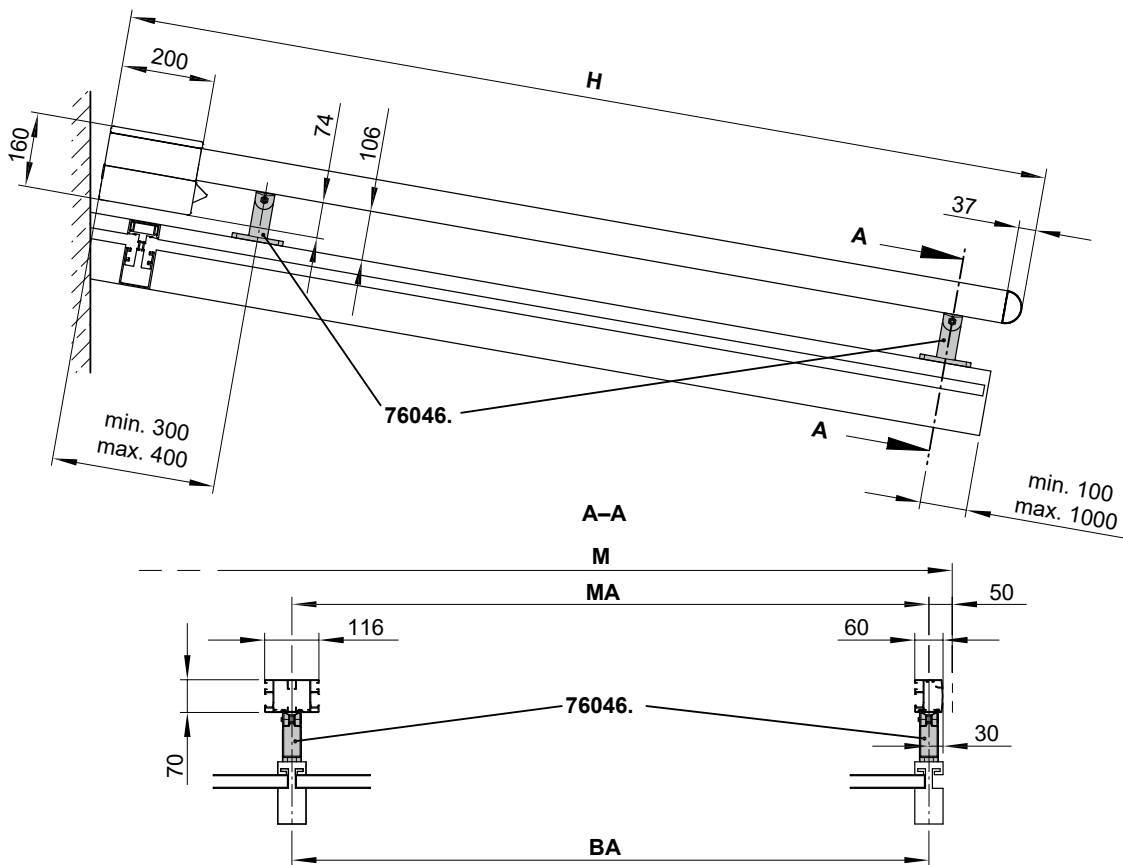
dimensions in mm

01
02
03
04
05
06
07
08
09
10
11
12
13
14
15
16
17
18
19

Dimension overview fixture combination 32

Fixtures, fittings and accessories

 <p>track bracket, with adjustable head</p> <p>100 mm</p> <p>76046.</p>	 <p>angled mounting bracket</p> <p>76098.</p>	 <p>angled mounting bracket 76098.</p> <p>including coupling bolts</p> <p>76099.</p>
---	---	--

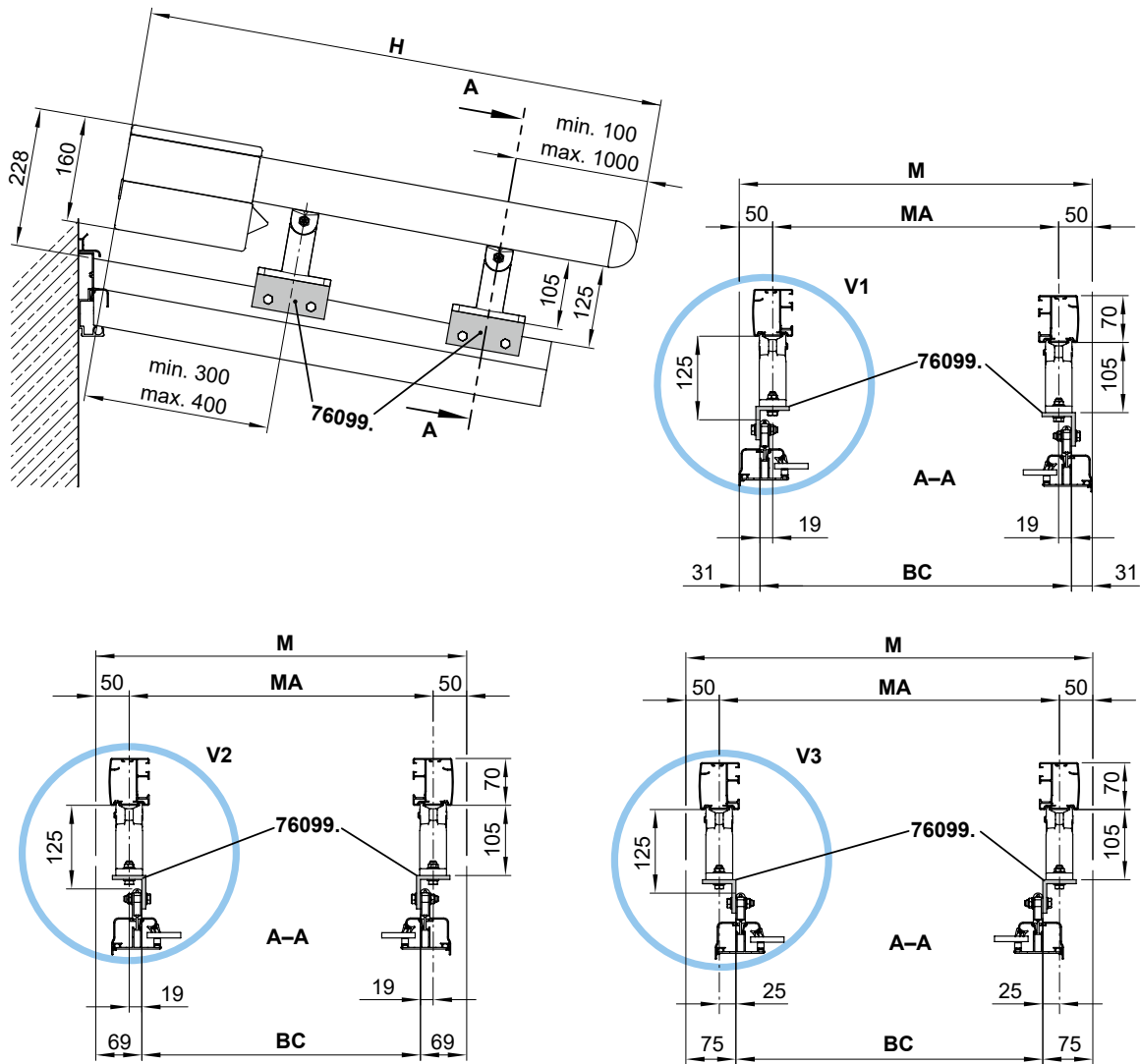


- BA** = width between fixture points
- H** = **order dimension** = extension
- M** = awning width
- MA** = **order dimension** = awning fixture width = fixture width

dimensions in mm

Dimension overview fixture combination 32

Mullion fixture with angled installation brackets



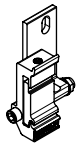
- BC = fixture width
- MA = **order dimension** = blind fixture width = fixture width
- H = **order dimension** = projection
- M = awning width
- V1, V2, V3 = variants

dimensions in mm

01
02
03
04
05
06
07
08
09
10
11
12
13
14
15
16
17
18
19

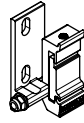
Overview of dimensions, fixture type 12 (up to an extension of 400 cm)

Fixtures, fittings and accessories



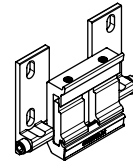
face fixture bracket
left
pitch adjustment
range 0°–35°

60569.



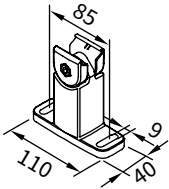
face fixture bracket
right
pitch adjustment
range 0°–35°

60570.



coupling bracket
cassette wall
pitch adjustment range
0°–35°

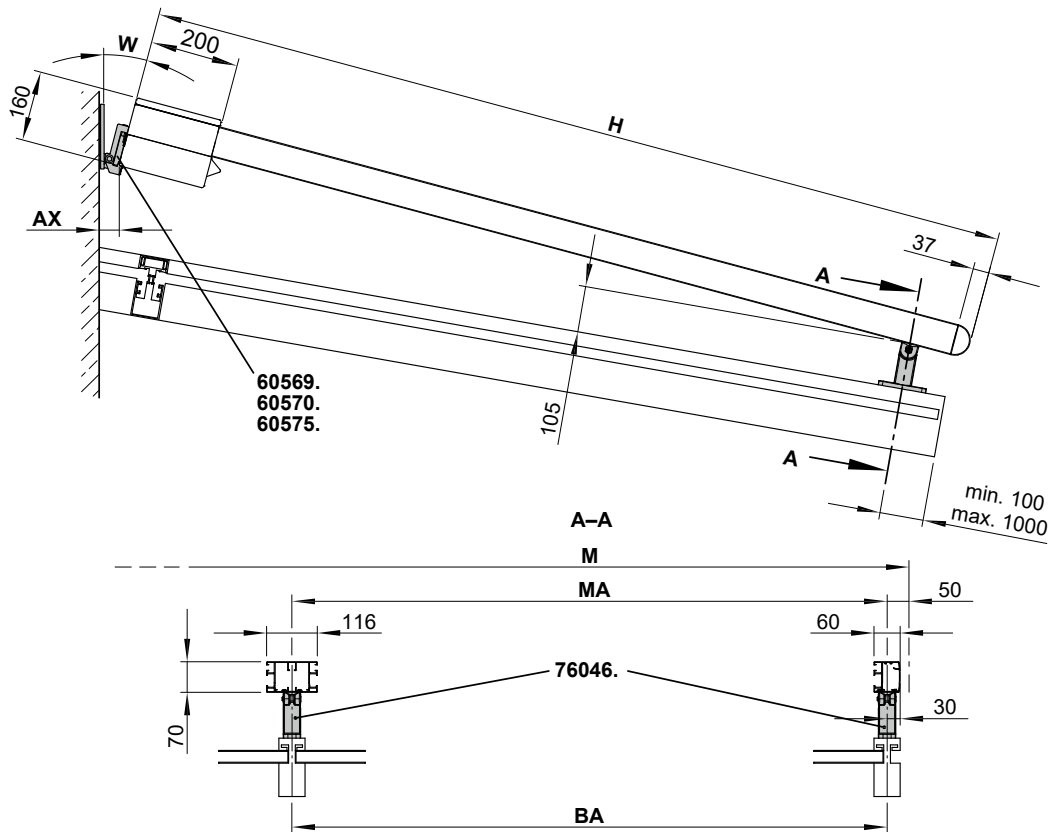
60575.



track bracket, with
adjustable head

100 mm

76046.



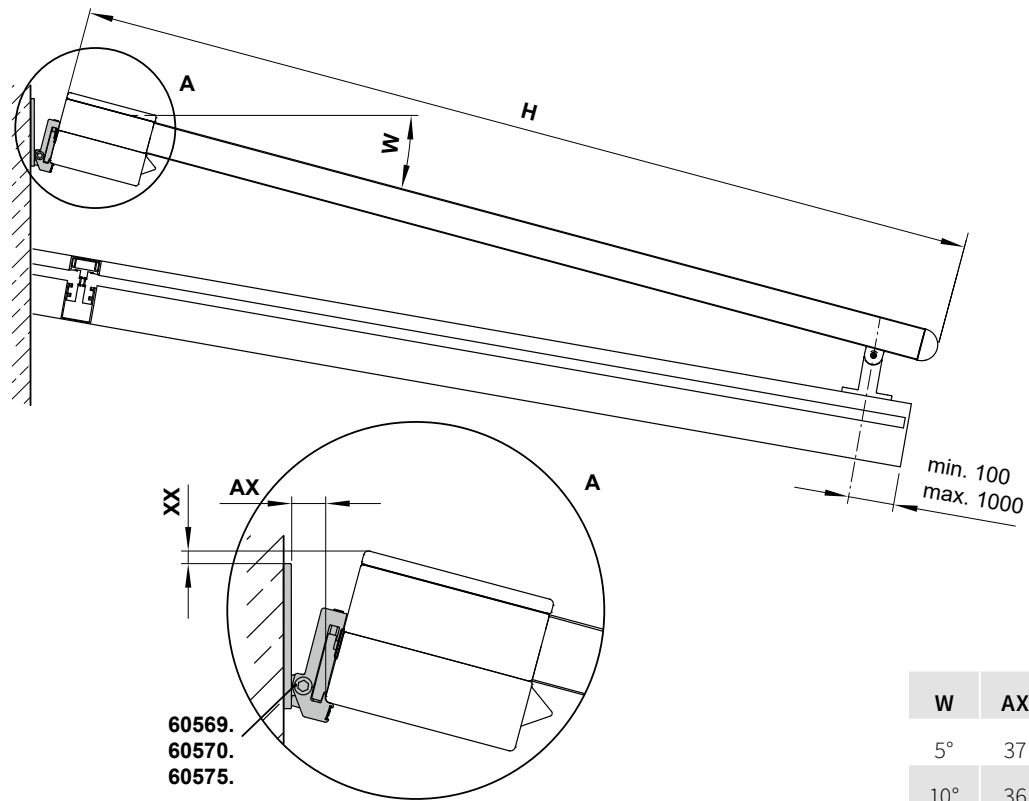
W	AX
5°	37
10°	36
15°	35
20°	34
25°	33
30°	31
35°	30

- AX = distance from cassette to wall
- BA = width between fixture points
- H = **order dimension** = extension
- M = awning width
- MA = **order dimension** = awning fixture width = fixture width
- W = pitch

dimensions in mm

Overview of dimensions, fixture type 12 (up to an extension of 400 cm)

Face fixture and track brackets with adjustable head



W	AX	XX
5°	37	23
10°	36	19
15°	35	14
20°	34	7
25°	33	0
30°	31	-8
35°	30	-17

01
02
03
04
05
06
07
08
09
10
11
12
13
14
15
16
17
18
19

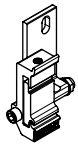
12

- AX = distance from cassette to wall
- H = **order dimension** = projection
- W = pitch
- XX = distance upper edge bracket – cassette

dimensions in mm

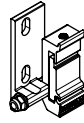
Overview of dimensions, fixture type 51 (from an extension of 400 cm)

Fixtures, fittings and accessories



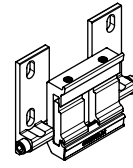
face fixture bracket
left
pitch adjustment
range 0°–35°

60569.



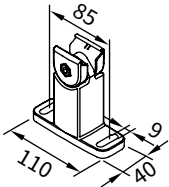
face fixture bracket
right
pitch adjustment
range 0°–35°

60570.



coupling bracket
cassette wall
pitch adjustment range
0°–35°

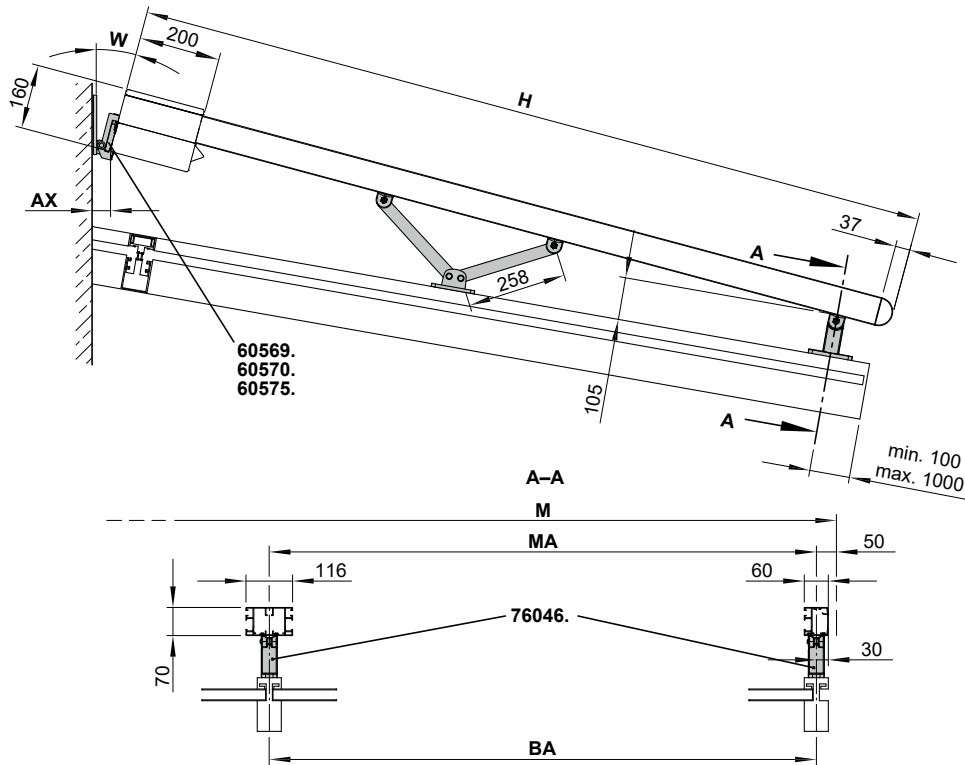
60575.



track bracket, with
adjustable head

100 mm

76046.



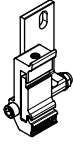
W	AX
5°	37
10°	36
15°	35
20°	34
25°	33
30°	31
35°	30

- AX** = distance from cassette to wall
- BA** = width between fixture points
- H** = **order dimension** = projection
- M** = awning width
- MA** = **order dimension** = awning fixture width = fixture width
- W** = pitch

dimensions in mm

Dimension overview fixture combination 22

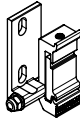
Fixtures, fittings and accessories



face fixture bracket
left

pitch adjustment
range 0°–35°

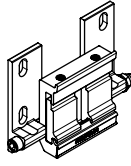
60569.



face fixture bracket
right

pitch adjustment
range 0°–35°

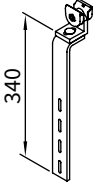
60570.



coupling bracket
cassette wall

pitch adjustment range
0°–35°

60575.

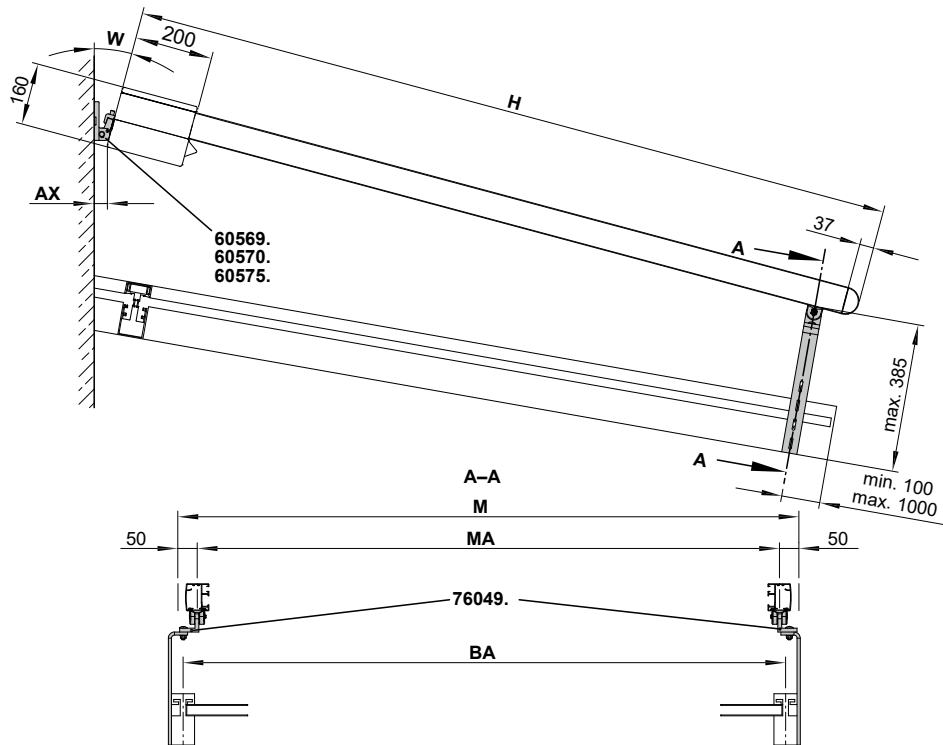


flat track bracket
with adjustable head

for lateral guide track
fixture

76049.

W	AX
5°	37
10°	36
15°	35
20°	34
25°	33
30°	31
35°	30

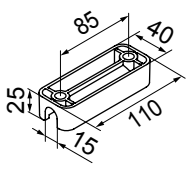


- AX** = distance from cassette to wall
- BA** = width between fixture points
- H** = **order dimension** = extension
- M** = awning width
- MA** = **order dimension** = awning fixture width = fixture width
- W** = pitch

dimensions in mm

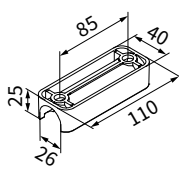
Dimension overview eaves fixture with additional bracket fitting

Fixtures, fittings and accessories



track bracket accessory
width 14 mm
for direct assembly on
conservatory rafters

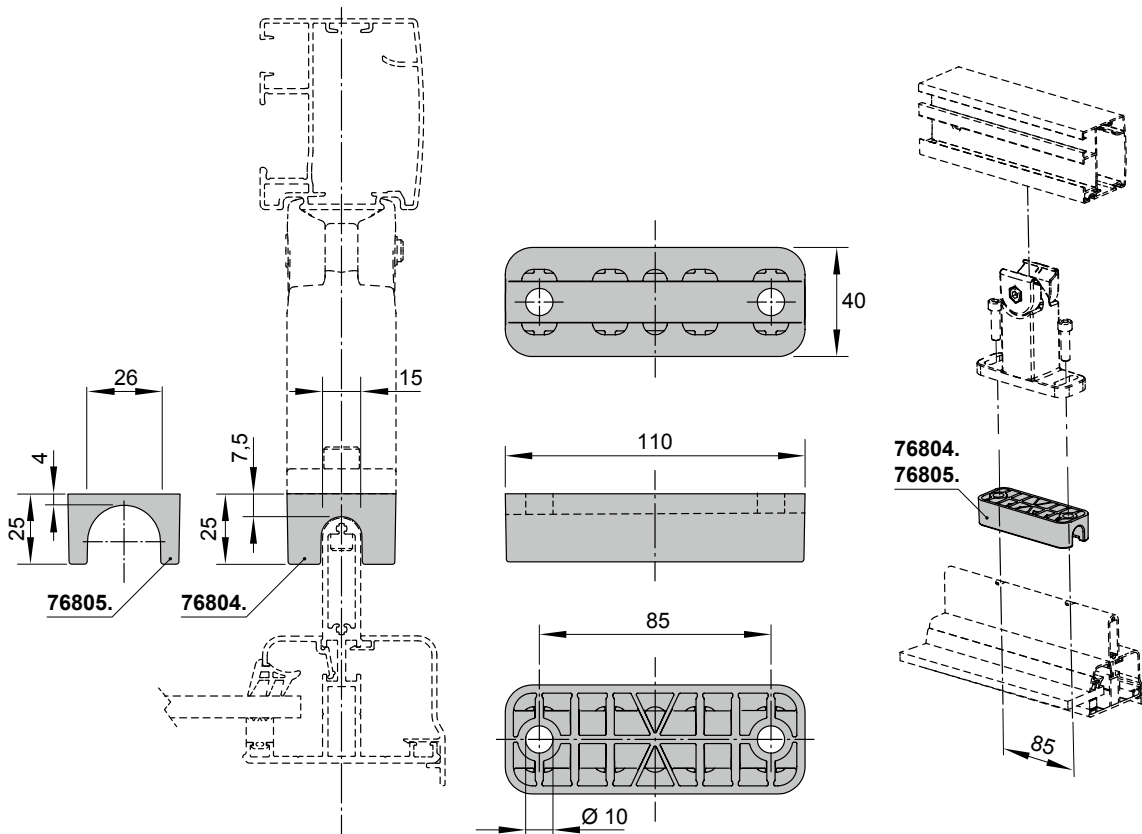
76804.



track bracket accessory
width 25 mm
for direct assembly on
conservatory rafters

76805.

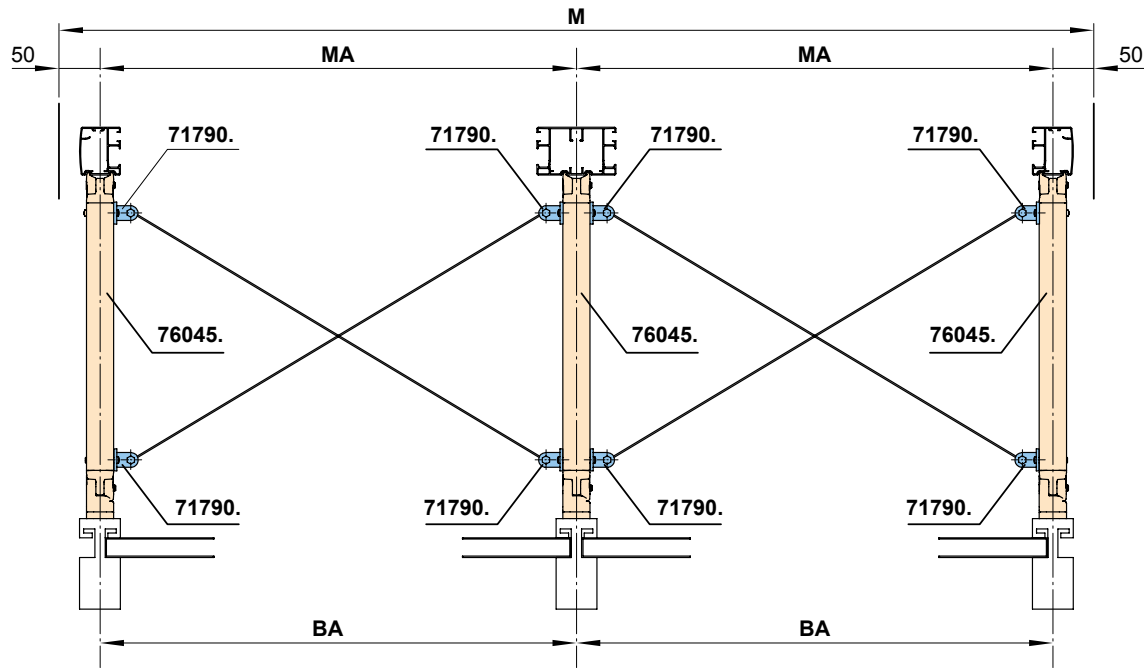
12



dimensions in mm

Overview of dimensions

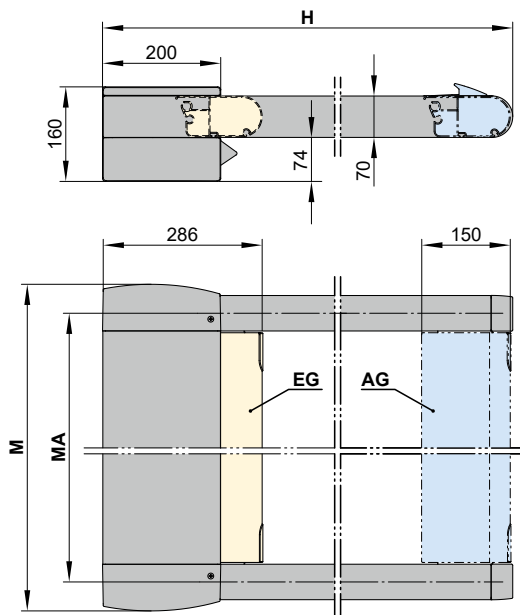
Diagonal tensioning kit for raised bottom fixture



01
02
03
04
05
06
07
08
09
10
11

12

Distance from the back of the cassette to the leading edge of the front profile



13
14
15
16
17
18
19

- AG = extended
- BA = width between fixture points
- MA = **order dimension** = awning fixture width = fixture width
- EG = retracted
- H = **order dimension** = extension
- M = awning width
- 71790. = diagonal tensioning kit
- 76045. = track bracket, with adjustable head and foot

dimensions in mm

01 **Overview of dimensions, support to prevent deflection**

02 Support to prevent deflection of the cover support tube, 100 mm

03

04

05

06

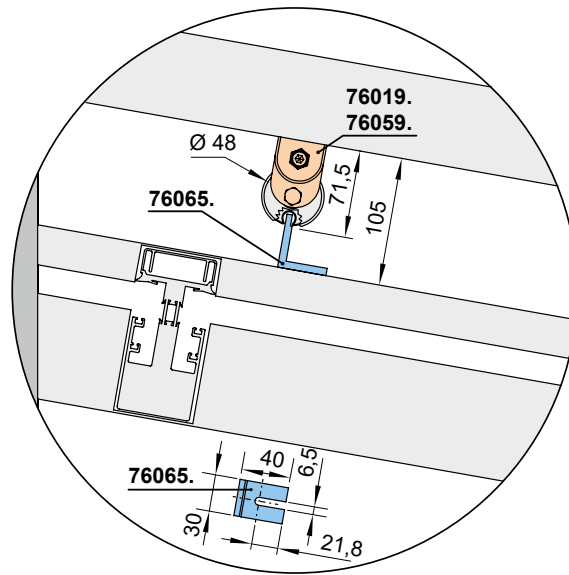
07

08

09

10

11



Support to prevent deflection of the cover support tube, can be shortened on site, height range 70–320 mm

12

13

14

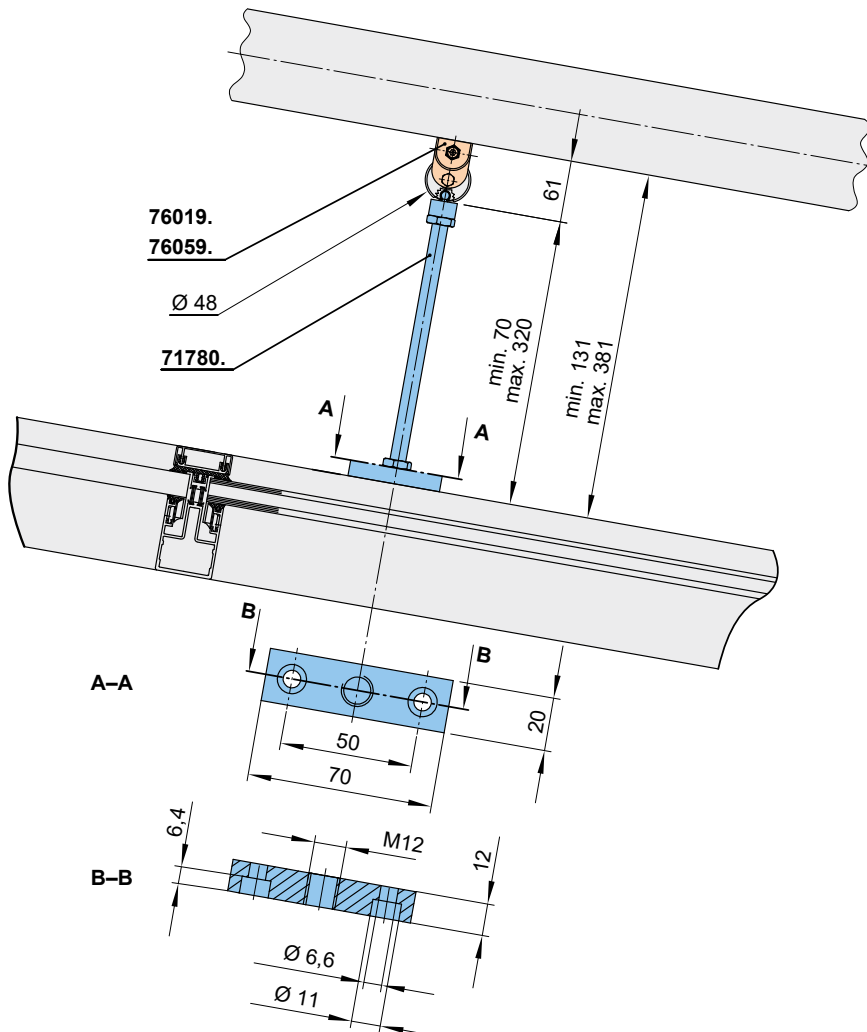
15

16

17

18

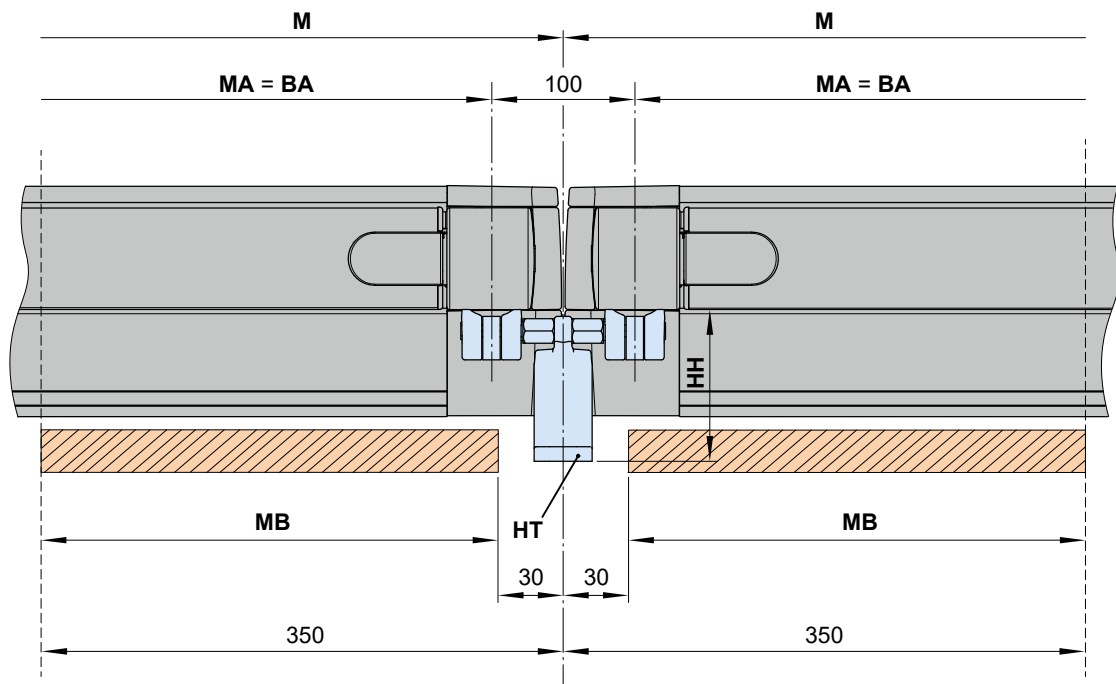
19



- 71780. = bracket to prevent deflection of the cover support tube
- 76019. = bracket for cover support tube
- 76059. = coupling bracket for cover support tube
- 76065. = angled support bracket

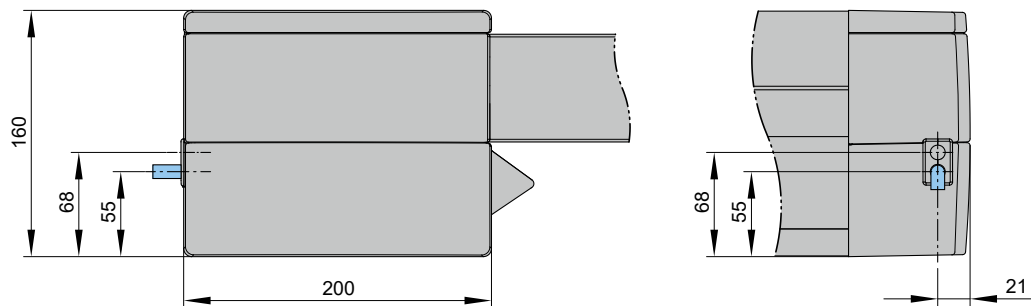
dimensions in mm

Overview of dimensions, double track bracket for single units



HT	76191.	76192.	76193.	76194.
HH	105	145	145-505	205-505

Motor cable exit point ¹⁾



1) depending on the operation side, left or right

- BA** = width between fixture points
- HH** = bracket height
- HT** = bracket
- M** = awning width
- MA** = **order dimension** = awning fixture width = fixture width
- MB** = bracket fixture range

- 76191.** = double track bracket 100 mm
 - 76192.** = double track bracket 140 mm
 - 76193.** = double track bracket 140-500 mm
 - 76194.** = double track bracket 200-500 mm
- dimensions in mm

01

02

03

04

05

06

07

08

09

10

11

12

13

14

15

16

17

18

19