



Pergola awning

markilux pergola cubic

Sun and wet weather protection for large areas -
created in a clean and timeless design.

01

Product Characteristics

Wind resistance class 3
Beaufort 6 → 38–48 km/h → 10.5–13.4 m/s → 24–30 mph

02

03

04

05

06

07

08

09

10

11

12

13



1 manufacture with square or round posts



2 adjustable post ¹⁾ manual or motor-driven



3 shadeplus, during extension ¹⁾



4 solar module sundrive, radio-controlled drop valance operation ¹⁾



LED-Line fitted to the guide track and cover support tube ¹⁾



combination of LED-Line and LED-Spots ¹⁾



support post with stabilisation box ¹⁾



5 footplate cover standard



6 wall sealing profile ¹⁾



1) Optional accessories

Product Characteristics

Description

- the awning system on slender posts and with lateral guide tracks provides generous shade with an extension of up to 6 metres and for areas up to 30 m² using a single unit. Thanks to the tracfix cover guidance system, the sophisticated tensioning technology and its sturdy construction, the system can be used up to Beaufort 6 (wind resistance class 3)

Special features

- fully encompassing cassette that protects the cover perfectly
- tried-and-tested tensioning system with drive belts and integrated gas pistons – delivers optimum cover tension – in any phase of extension
- with tracfix system, the continuous lateral cover guidance system that leaves no gap between the cover and guide tracks
- option of adding a shadeplus – vertical protection against low-lying sun, wind and inquisitive glances integrated into the front profile, can be operated manually or solar driven by radio remote control (433 MHz)
- various lighting combinations are available: lighting strip LED Line in the guide tracks, LED Line in the cover support tube or LED Spots fitted to the cover support tube – individually configurable lighting options providing a pleasant atmosphere in the evening
- an optional telescopic post, operated either manually or by motor, ensures optimum water drainage during rain, even at the low minimum pitch of 7°
- support posts optionally round or square, incl. screw-on footplates or ballast boxes for versatile installation
- can be combined perfectly with the awning systems markilux syncra, the vertical roller blinds markilux 876 tracfix, markilux 776 tracfix and the side screen, markilux 790

Dimensions

- single unit: 73–600 cm in width, maximum extension 600 cm (depending on the width)
- maximum dimensions width × extension: 500 × 600 cm / 550 × 500 cm / 600 × 450 cm
- coupled units up to 5 fields wide are available
- intermediate sizes are available

Roller tube and lateral bearings

- round roller tube Ø 95 mm with keyway, galvanised steel – excellent stability, ensures near perfect cover performance even at the largest widths
- the roller tube bearing is made of die-cast aluminium

Awning profiles

- extruded aluminium, in façade quality, powder coated
- cassette profile in two pieces, angular, height × depth 160 mm × 200 mm
- angular guide tracks, width × height, 60 mm × 70 mm (coupling guide track 116 × 70 mm)
- front profile rounded at the front, depth × height 150 mm × 70 mm

End caps

- the cassette end caps with opening for guide tracks are made of die-cast aluminium, powder coated
- the maintenance covers on the cassette are made of die-cast aluminium, powder coated
- guide track end caps made of die-cast aluminium, powder coated

Fixture brackets and support posts

- extruded aluminium, powder coated
- cassette brackets: face fixture, top fixture, eaves fixture
- support post round Ø 70 mm or square 70 × 70 mm, standard height 250 cm, heights up to 300 cm are available
- screw-on footplate 200 × 200 mm
- footplate cover 212 × 212 mm in one piece, height 48 mm, is made of die-cast aluminium, corners rounded
- a version of the support posts with optional stabilisation box 600 × 600 mm × 525 mm (w×d×h), for versatile installation is available

Note: Additional information and accessory options can be found in the chapters “General information” and “markilux Accessories” in the sales manual “Designer Awnings for Conservatories, Glass Canopies and Windows”.

01 **Frame colours**

markilux frame colours without surcharge

02

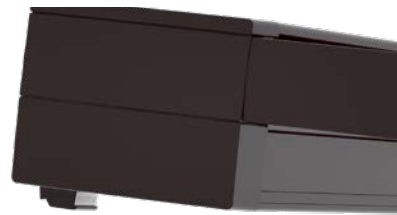
03 traffic white, RAL 9016



metallic aluminium, RAL 9006



grey brown, similar to RAL 8019



04

05

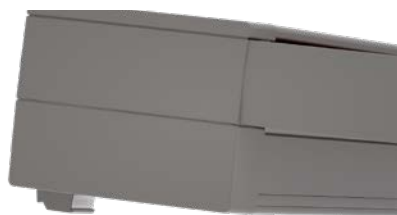
06

07

08 off-white textured finish, 5233 ¹⁾



stone grey metallic, 5215 ¹⁾



anthracite metallic, 5204 ¹⁾



09

10

11

12

13 havana brown textured finish, 5229 ¹⁾



13

Non-standard powder-coated finish

Bespoke frame colours incur a surcharge – matt, metallic, finely textured and pearl finishes as well as other colour ranges (DB, Tiger etc.) on request. All frame colours are available at a surcharge with enhanced corrosion protection.

Colours may differ slightly from those depicted in both hue and finish.

1) textured finish


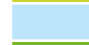

Dimensions and configuration options

Single unit

Order dimensions	Awning fixture width										Minimum fixture width			
	150 ¹⁾	200 ¹⁾	250 ¹⁾	300 ¹⁾	350	400	450	500	550	600	Hard-wired motor	Radio-controlled motor		
Overall Awning width	73 ²⁾	151	201	251	301	351	401	451	501	551	73 ²⁾	83 ²⁾		
	150	200	250	300	350	400	450	500	550	600				
H	+ 10													
150 ¹⁾														
200 ¹⁾														
250														
300														
350														
400														
450														
500														
550														
600														

dimensions in cm

- 1) = only pergola with fixed posts
- 2) = 94 cm for drop valance with sundrive solar panel
- H = **order dimension** = extension

-  = optionally available with 20 cm telescopic post
-  = optionally available with 30 cm telescopic post
-  = optionally available with 40 cm telescopic post

The minimum pitch that will ensure water drainage

	Extension			
	≤ 250 cm	≥ 251 ≤ 350 cm	≥ 351 ≤ 450 cm	≥ 451 cm
Unit with fixed posts, without shadeplus	14°	14°	14°	14°
Unit with fixed posts, with shadeplus	17°	17°	17°	17°
Unit with telescopic post, without / with shadeplus	-	8°	9°	10°

Operation	standard	optional
crank handle	—	—
hard-wired motor	✓	—
silentec motor (optionally with an external io / RTS receiver)	—	✓
radio-controlled motor io, 868 MHz	—	✓
radio-controlled motor RTS, 433 MHz	—	✓

1) Only available for awnings with 1 field and 2 fields, 2 motors

Awning cover	fabric pattern no.	standard	optional
sunvas ^{1) 5)}	300..-315..	✓	—
sunsilk ^{1) 5)}	324.. / 325.. / 328.. / 369..	✓	—
sunbow ^{1) 5)}	411..-427..	✓	—
smart art ¹⁾	340..	—	✓
perla FR ¹⁾	371.. / 372..	—	✓
perfortex ²⁾	331.. / 332..	✓	—
transolair ³⁾	338..	—	✓
transolair (120 cm)	339..	—	✓
Soltis Perform 92 ⁴⁾	92-20..	—	✓
Serge 600	272..	—	—

Standard fabric panel widths

1) 60 cm 2) 120 cm 3) 84 cm

4) 88,5 cm

5) In the case of striped patterns, a symmetrical pattern repeat at every second seam is not possible.

Coupled awnings
2-5 fields, 1 motor per field
alternatively 2 fields 1 motor / 3 fields 2 motors / 4 fields 2 motors
maximum size per field: see "single unit" dimensions

General notes

Different field extensions are available in a coupled awning. The rolling up behaviour of the covers may vary in coupled awnings that have different field sizes. This does not effect the functionality of the awning or shorten the service life of the covers.

The option of having telescopic posts in awnings with 3-5 fields is only available on request.

Drop valance ^{1) 2)}	standard	optional
height 230 cm (crank handle, depending on the fabric series chosen)		
height 230 cm (motor operation, depending on the fabric series chosen)		
crank handle	✓	—
hard-wired motor	—	—
radio-controlled motor io, 868 MHz	—	—
radio-controlled motor, 433 MHz, RTS with sundrive	—	✓
fabric pattern sunvas / sunsilk / sunbow / transolair / Soltis Perform 92		

1) Shadeplus cover is narrower than the awning cover

2) In the case of coupled awnings, available for all fields only

Optional accessories

adjustable posts, manual or motor-driven
posts with stabilisation boxes
shadeplus, radio remote control with solar module sundrive or manual
LED-Line in the guide tracks on both sides
LED-Line in the cover support tube ¹⁾
LED-Spots in the cover support tube ¹⁾
LED-Spots attached to the cassette ^{2) 3)}
LED-Line in the cassette ^{2) 3)}
infrared heater 2500 W
infrared heater 2500 W with integrated radio-controlled receiver 868 MHz radio-controlled io
for wall sealing profile
several motors in a coupled awning, can be operated independently
vertical cassette blind markilux 776 tracfix
automatic controls (light, wind, rain)

Important background information can be found in the chapter
“Optional Accessories” in the sales manual “Designer Awnings for
Conservatories, Glass Canopies and Windows”

- 1) / 2)** LED-Line and LED-Spots cannot be combined
3) Only available for single unit and coupled unit 2 fields

markilux shadeplus**Tips for selecting a shadeplus fabric**

Ideally, a shadeplus cover should be made **seamlessly** or with horizontal panels (the cover then has a **horizontal seam**) in order to achieve the best result.

Seamless fabric qualities are: sunvas oversized material and transolair series 338.. Fabric qualities with a horizontal seam are: plain fabrics from the sunsilk, sunvas, sunbow collections and transolair series 339.. as well as from the Soltis Perform 92 series.

Owing to the small winding diameter, the rolling up characteristics and the resulting visual appearance of the cover, shadeplus covers made with vertical seams are not recommended.

Shadeplus / drop valance with radio-controlled motor RTS ^{4) 5)}

Shadeplus fabric	fabric pattern no.	standard	optional	awning fixture width	height	tailored cloth
sunvas	301.. / 309..-315..	✓	—	≤ 600 ≤ 600	160 230	LN QN
sunsilk	324.. / 325.. / 328.. / 369..	✓	—	≤ 600 ≤ 600	160 230	LN QN
sunbow	411..-427..	✓	—	≤ 600 ≤ 600	100 210	LN QN
sunvas (250 cm)	31008, -09, -13, -16, -18, -25, 27, -28, -31, -36, -37, -57, -58, 31109, -14, -17	✓	—	≤ 600	230	N
smart art	340..	—	—			
perla FR	371.. / 372..	—	—			
perfotex	331.. / 332..	—	—			
transolair	338..	—	✓	≤ 600	230	N
transolair (120 cm)	339..	—	✓	≤ 600	230	QN
Soltis Perform 92	92-20..	—	✓	≤ 490	230	QN
Serge 600	272..	—	—			

4) 433 MHz radio-controlled RTS motor powered by a sundrive solar panel, minimum fixture width 94 cm

5) only available in plain seamless fabrics (oversized, fabric width > 120 cm) or in plains with a horizontal joint (fabric width 120 cm)
Uni-fabric pattern recommended

N = seamless

LN = vertical panel joints, panel width approx. 60 cm

QN = horizontal panel joint(s)

dimensions in cm

Dimensions and configuration options

Coupled unit, 2 fields

		Awning fixture width						
		600 ¹⁾	700 ¹⁾	800	900	1000	1100	1200
Order dimensions		551	601	701	801	901	1001	1101
		600	700	800	900	1000	1100	1200
Overall Awning width		+ 10	+ 10	+ 10	+ 10	+ 10	+ 10	+ 10
H	150							
	200							
	250							
	300							
	350							
	400							
	450							
	500							—
	550						—	—
	600						—	—

Coupled unit, 3 fields

		Awning fixture width												
		600 ¹⁾	700 ¹⁾	800	900	1000	1100	1200	1300	1400	1500	1600	1700	1800
Order dimensions		551	601	701	801	901	1001	1101	1201	1301	1401	1501	1601	1701
		600	700	800	900	1000	1100	1200	1300	1400	1500	1600	1700	1800
Overall Awning width		+ 10	+ 10	+ 10	+ 10	+ 10	+ 10	+ 10	+ 10	+ 10	+ 10	+ 10	+ 10	+ 10
H	150													
	200													
	250													
	300													
	350													
	400													
	450													
	500												—	—
	550											—	—	—
	600											—	—	—

N.B.: The option of having telescopic posts in awnings with 3–5 fields is only available on request.

1) = the cassette will be supplied in one piece as standard. If, for transportation or installation reasons, the cassette needs to be split, please note this explicitly when ordering.

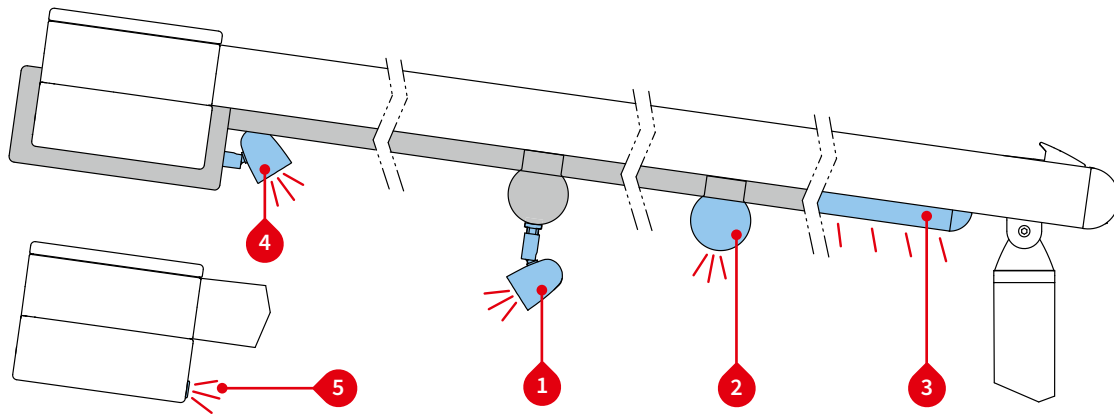
H = **order dimension** = extension

dimensions in cm

01
02
03
04
05
06
07
08
09
10
11
12
13

01 Lighting options

02

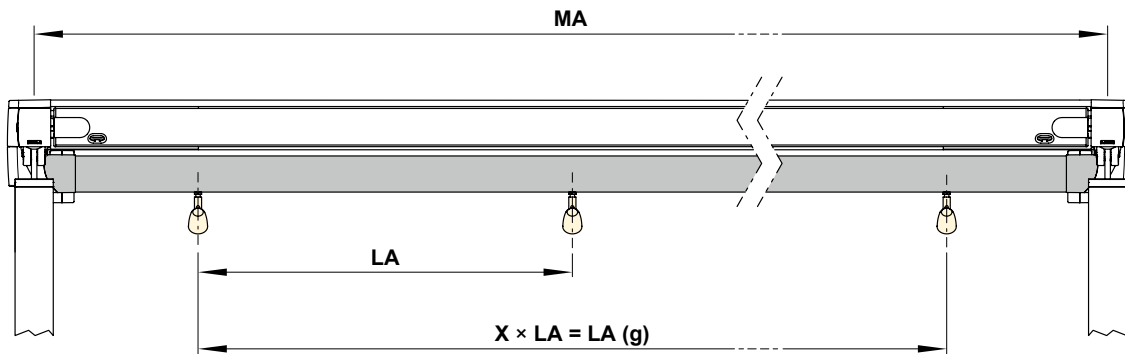


Lighting options	Controls	standard	optional
1) LED-Spots in the cover support tube ¹⁾	on/off switch	—	✓
2) LED-Line in the cover support tube ¹⁾	radio-controlled dimmer io 868 MHz	✓	—
3) LED-Line in the guide tracks on both sides	radio-controlled dimmer RTS 433 MHz	—	✓
4) LED-Spots attached to the cassette ^{2) 3)}			
5) LED-Line in the cassette ^{2) 3)}			

For combination possibilities please view section "Dimension overview lighting options"
 1) / 2) LED-Line and LED-Spots cannot be combined
 3) Only available for single unit and coupled unit with 2 fields

13 Distribution of the LED-Spots

1) and 4) in the cassette and in the cover support tube



Awning fixture width	No. of spots	LA	LA (g)
150–250	3	65	130
251–300	3	98	196
301–350	3	98	196
351–400	4	98	294
401–450	4	98	294
451–500	5	98	392
501–550	5	98	392
551–600	6	98	490

dimensions in cm

LA = distance between the spots
 LA (g) = distance between the spotlights (total)
 MA = order dimension = awning fixture width = fixture width

1 and 4 in the cassette / in the cover support tube**Technical specification**

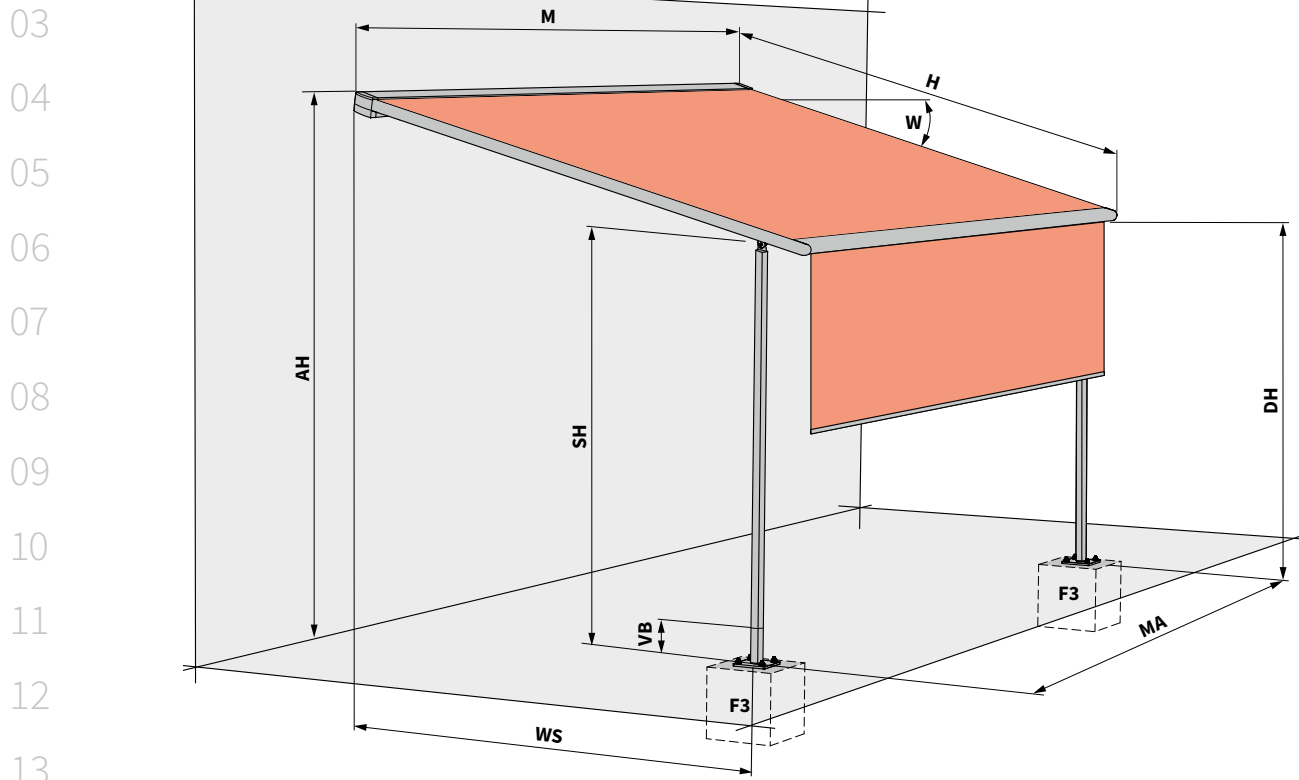
operating voltage	230 V, 50 Hz
power output of one LED spotlight	5 W
light source	LED (12 V)
number of transformers	1 unit
light temperature	warm white
IP protection class	IP 44
service life	approx. 20.000 h

2 3 and 5 LED-Line in the cassette / in the cover support tube / attached to the guide tracks**Technical specification**

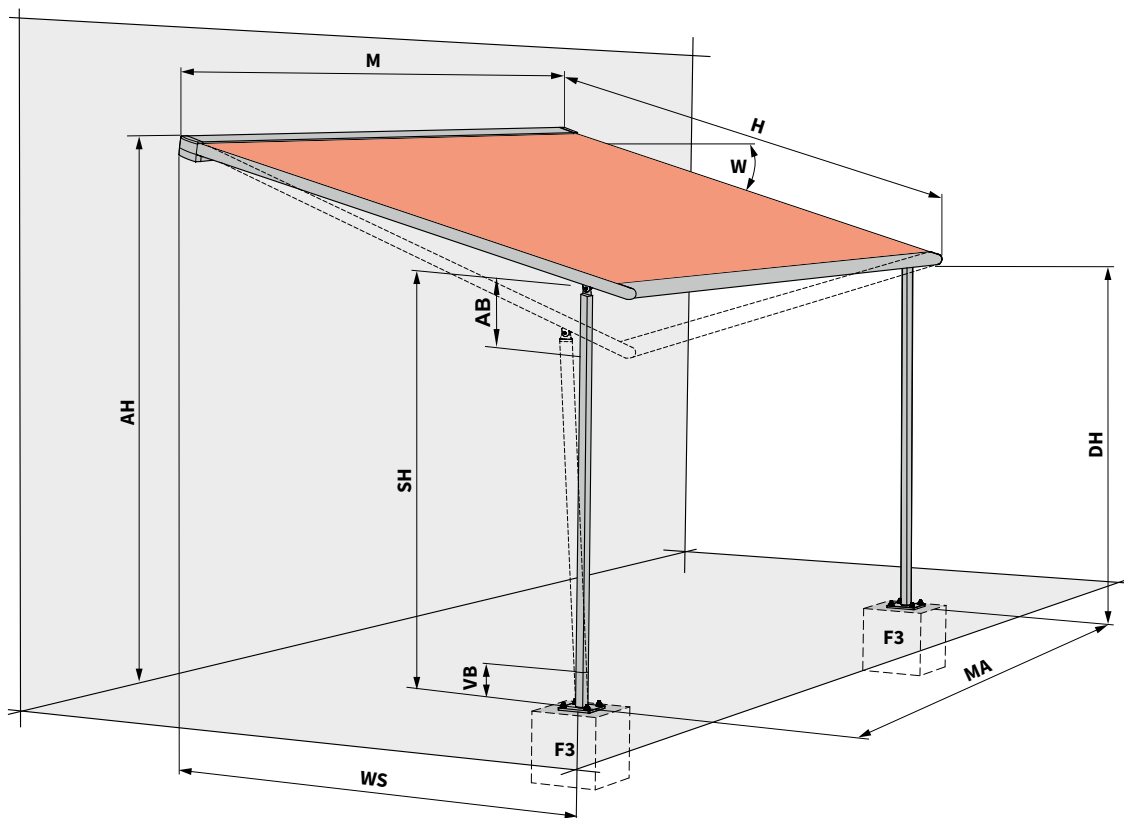
operating voltage	230 V, 50 Hz
power output per metre	10 W / m
light source	LED (12 V)
number of LEDs	120 units / m
number of transformers	1 unit
light temperature	warm white
IP protection class	IP 44
service life	approx. 15.000 h

01 **Overview of dimensions**

02 **02** pergola with fixed posts¹⁾ – support post fixture to a concrete footing



pergola with telescopic post¹⁾ – support post fixture to a concrete footing



1) Optional with shadeplus

01 Overview of dimensions

Coupled awnings

02

03

04

05

06

07

08

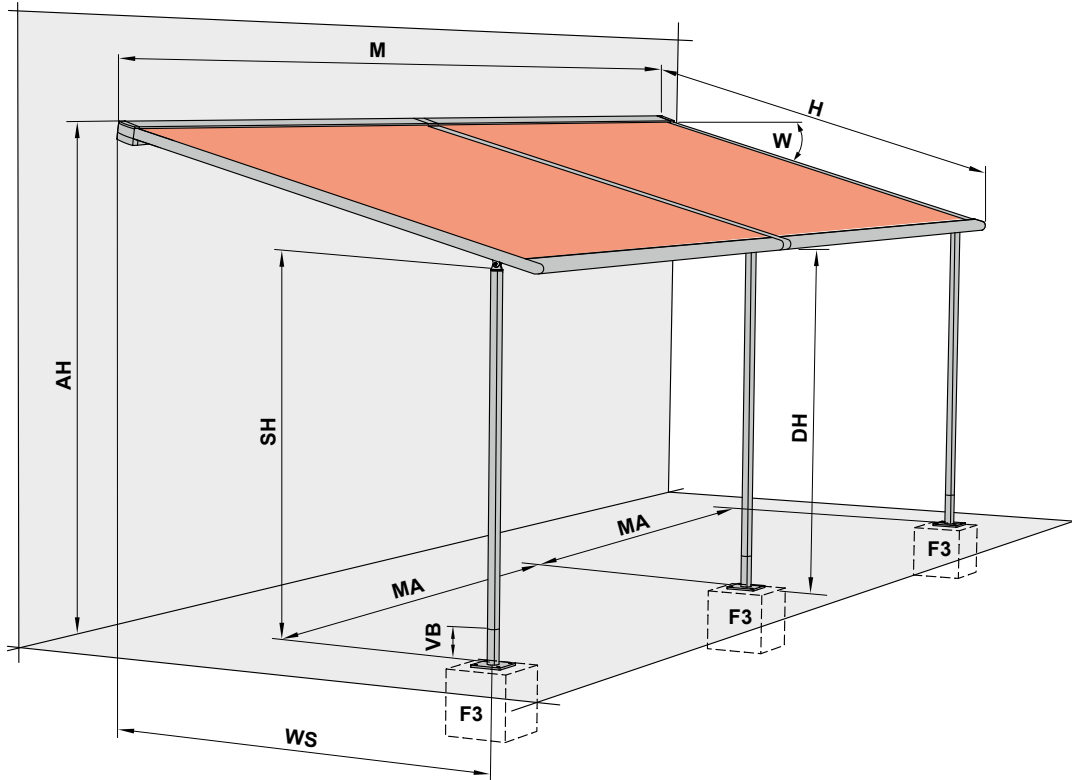
09

10

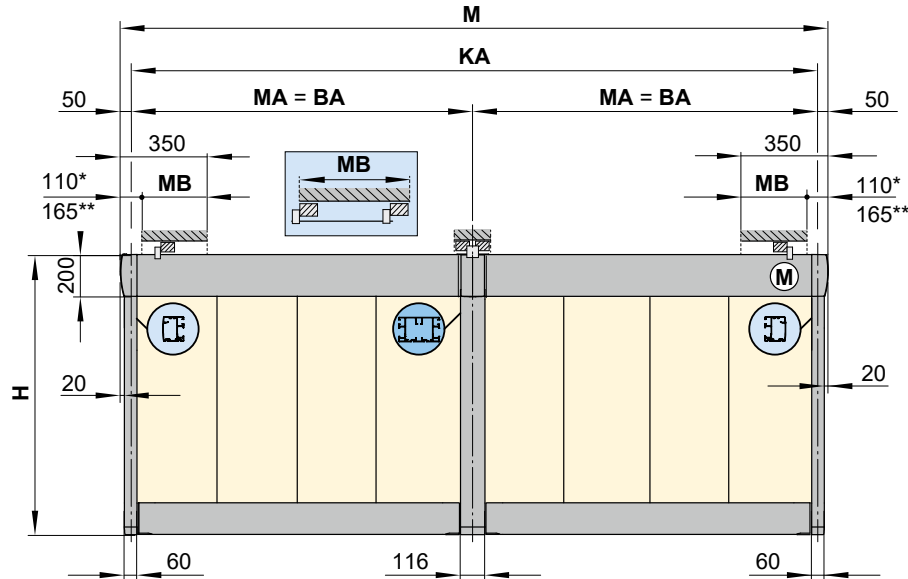
11

12

13



Coupled unit, 2 fields, 1 motor



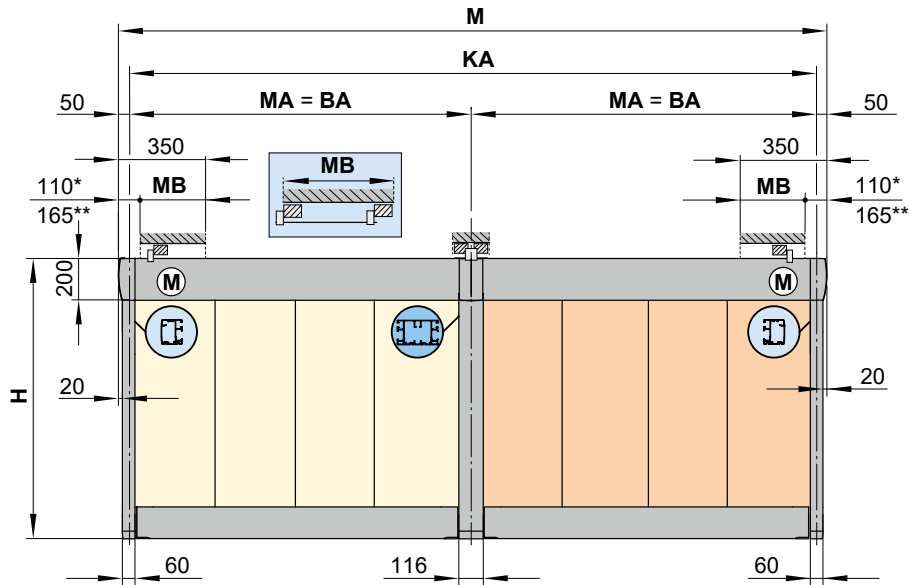
- * = dimensions fixture range
- ** = dimensions fixture range for cable duct in case of lighting
- AH = fixture height
- BA = **order dimension** = width between fixture points = awning fixture width
- DH = headroom
- F3 = concrete foundation. Please refer to the section "Concrete foundations"
- H = **order dimension** = projection
- KA = coupled awning

- M = overall awning width = MA + 10 cm
- Ⓜ = operation side, motor drive
- MA = **order dimension** = awning fixture width
- MB = bracket fixture range
- SH = **order dimension** = support post height, standard height 2500 mm (special heights on request)
- VB = height adjustment 10 cm
- W = pitch setting = 5°-35°
- WS = distance from wall ↔ support post centre

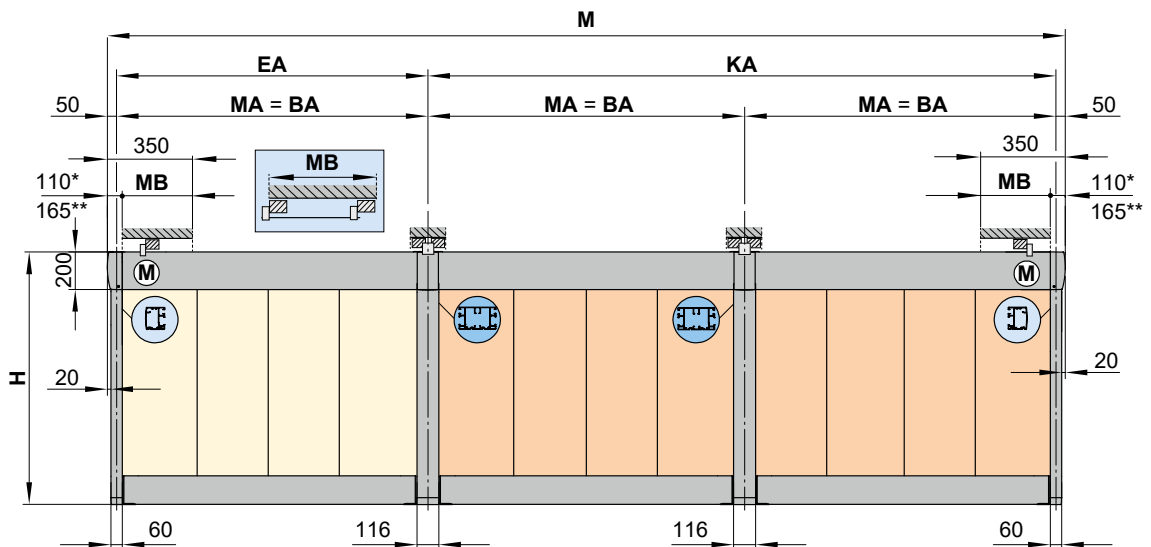
dimensions in mm

Overview of dimensions

Coupled unit, 2 fields, 2 motors



Coupled unit, 3 fields, 2 motors



- * = dimensions fixture range
- ** = dimensions fixture range for cable duct in case of lighting
- BA = **order dimension** = width between fixture points = awning fixture width
- EA = single unit
- H = **order dimension** = extension
- KA = coupled awning
- M = overall awning width = MA + 10 cm
- (M) = operation side, motor drive
- MA = **order dimension** = awning fixture width
- MB = bracket fixture range

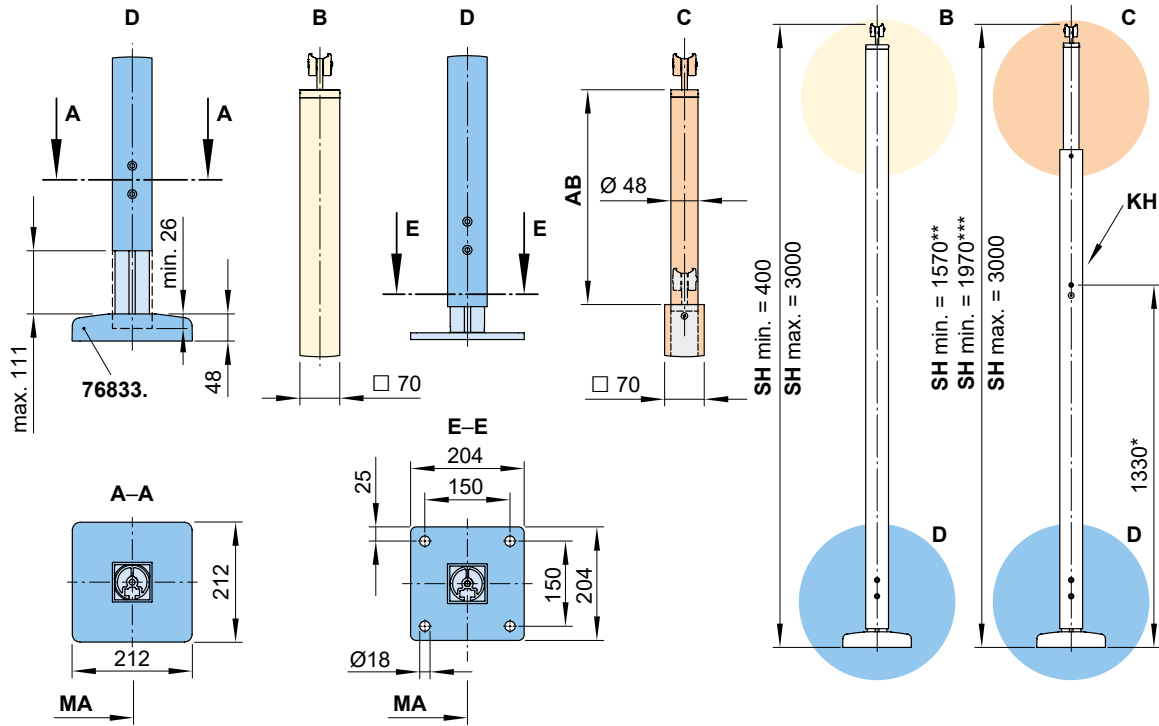
dimensions in mm

01
02
03
04
05
06
07
08
09
10
11
12
13

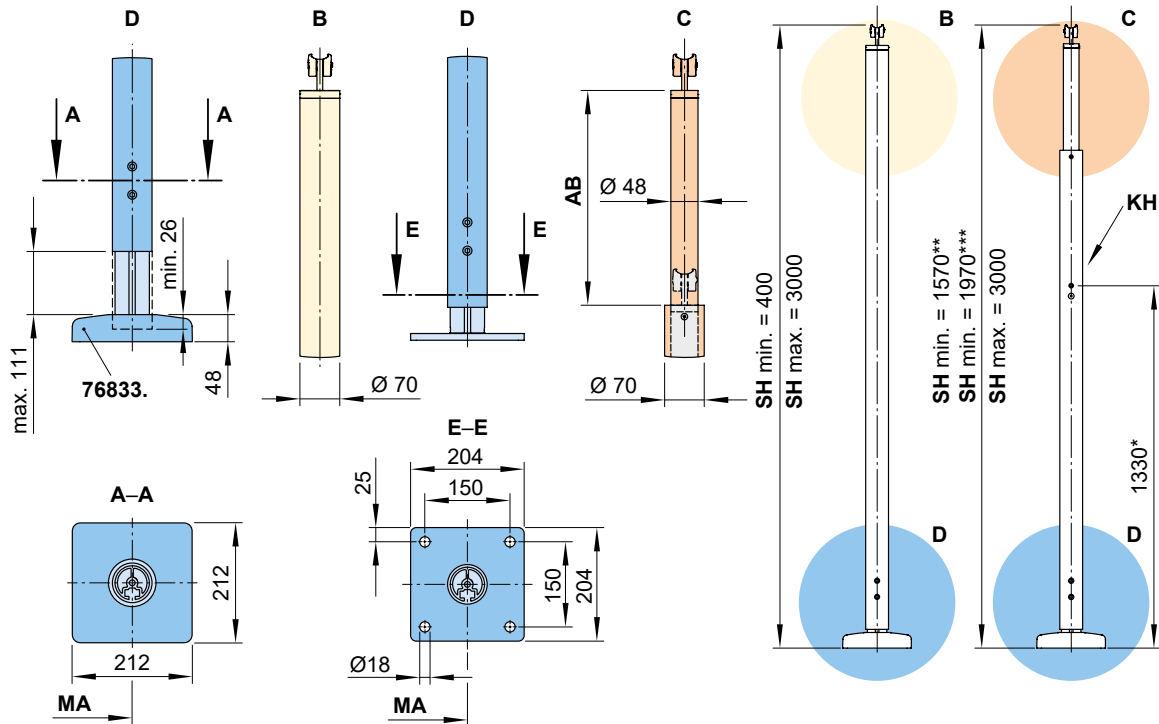
01
02
03
04
05
06
07
08
09
10
11
12
13

Post dimensions

Square support post with stabilisation box (not adjustable / adjustable)



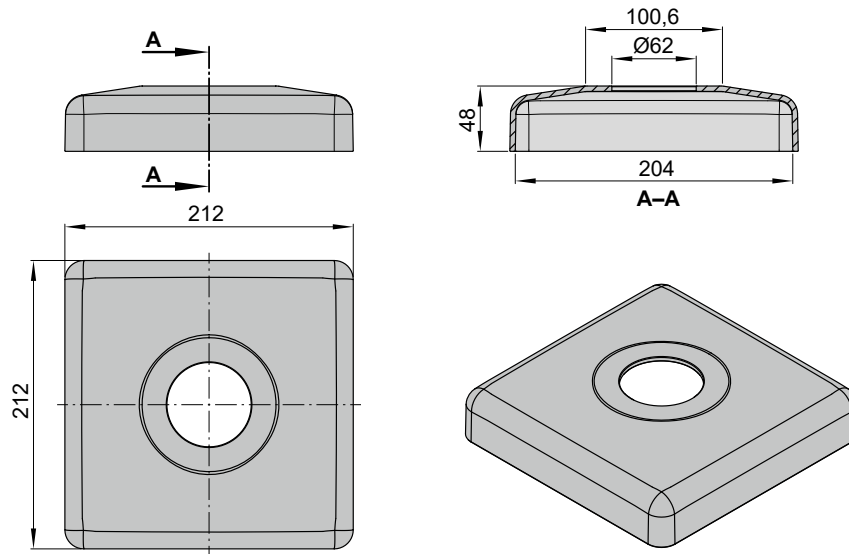
Round support post with footplate (not adjustable / adjustable)



- * = dimensions at the standard height
- *** = dimensions at manual operation
- ** = dimensions at motor operation
- AB = adjustment range of a post 200, 300 or 400.
For more detailed information please refer to "Dimensions and configuration options"
- B = support post without manual adjustment option
- C = support post with manual adjustment option
- D = height adjustment at the base of both of the front support posts during installation approximately 100 mm
- 76833. = footplate cover post
- KH = winch handle socket
- MA = **order dimension** = awning fixture width = fixture width
- SH = **order dimension** = support post height, standard height 2500 mm (special heights on request)

dimensions in mm

Footplate cover



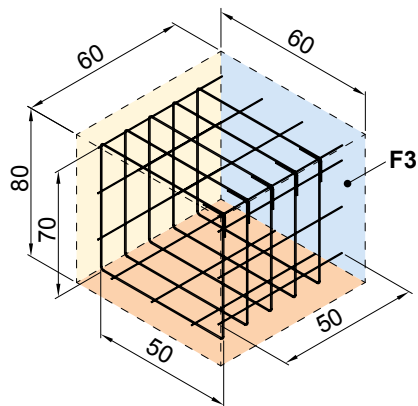
dimensions in mm

Concrete foundations

To be supplied on site:

Concrete foundations in compressive strength C25/30 (previously B25) with reinforcing mesh cage made of 6 pcs steel rebar \varnothing 6 mm.

F3



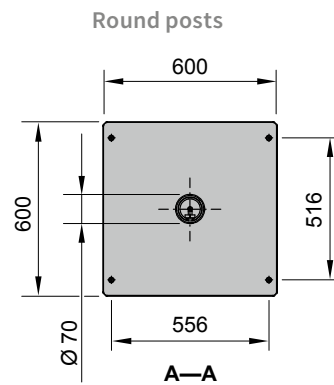
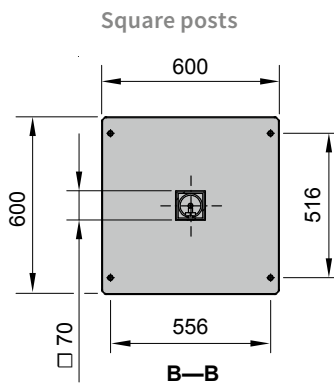
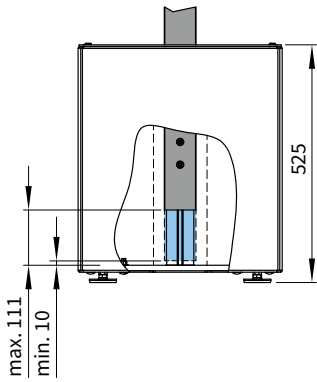
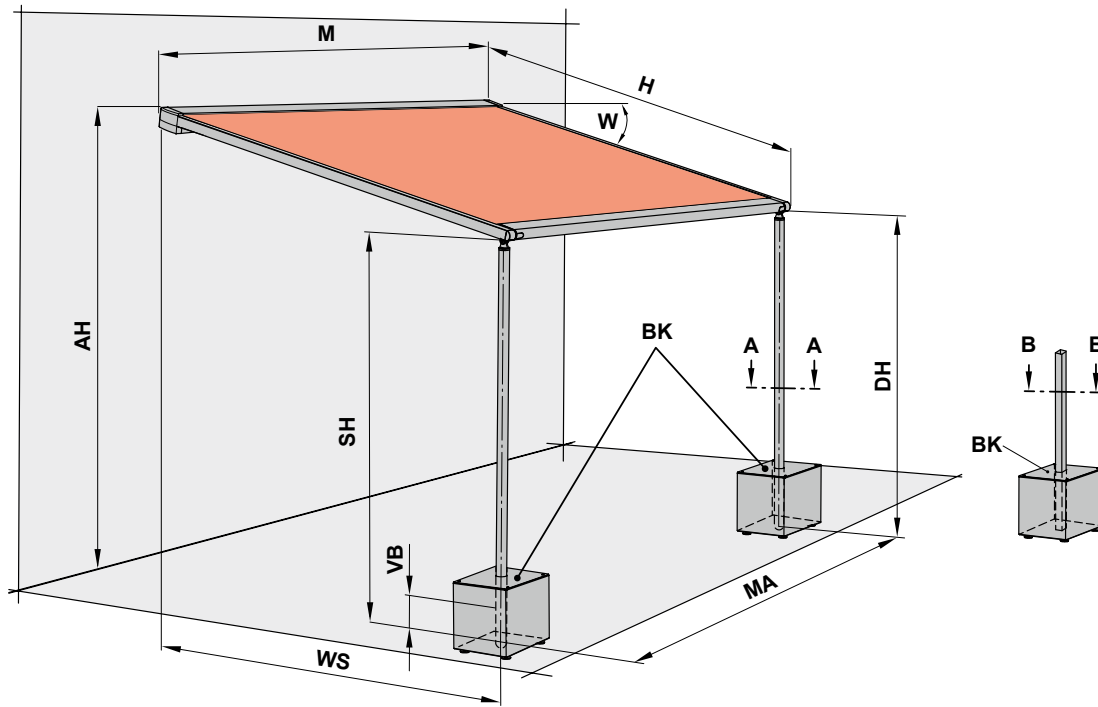
The footplates **F3** are to be fitted to the **concrete footings** using Fischer marine-grade stainless steel anchor bolts FAZ 10/30 aus A4 and washers certified to DIN 9021 (or equivalent).

dimensions in cm

01
02
03
04
05
06
07
08
09
10
11
12
13

Overview of dimensions

pergola – support posts with stabilisation boxes



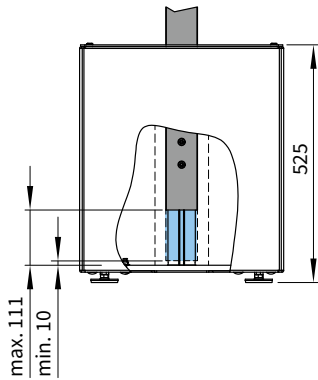
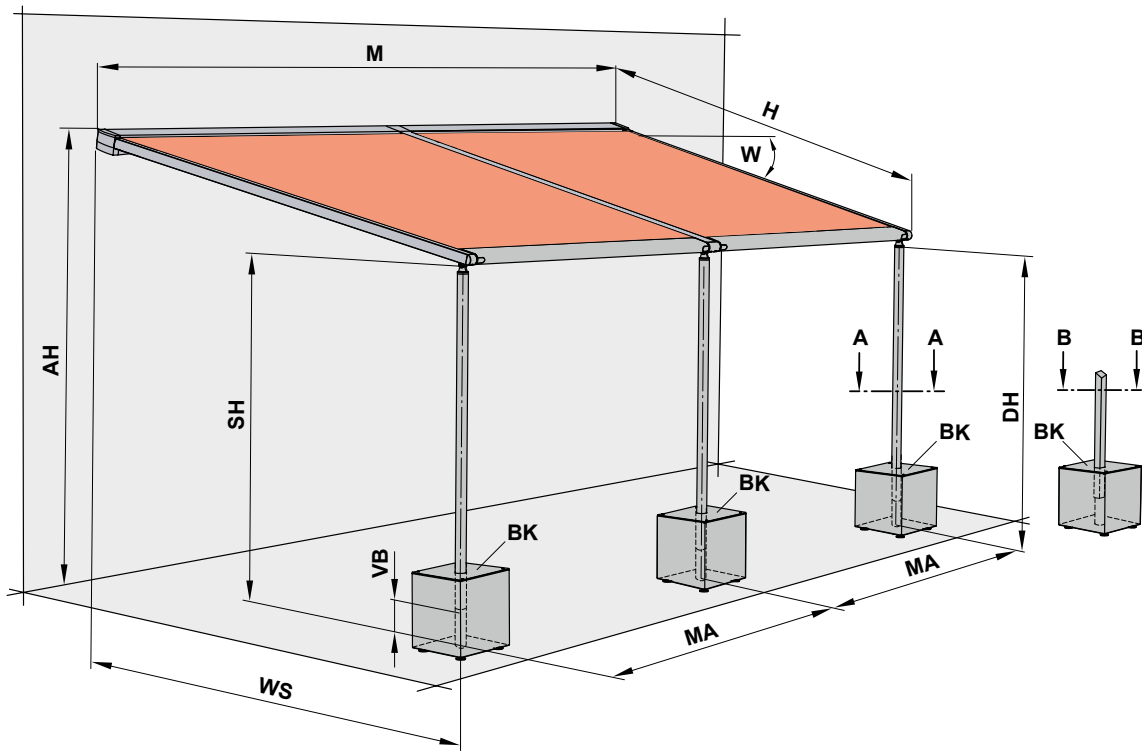
On site, every stabilisation box must be filled with at least 150 kg of ballast.

- AH** = fixture height
- BK** = stabilisation box
- DH** = headroom
- H** = **order dimension** = projection
- M** = overall awning width = **MA** + 10 cm
- MA** = **order dimension** = awning fixture width = fixture width
- SH** = **order dimension** = post height
- VB** = height adjustment at the base of both the front support posts during installation approximately 100 mm
- W** = pitch setting = 5°–35°
- WS** = distance from wall ↔ support post centre

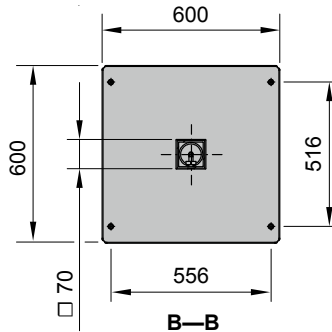
dimensions in mm

Overview of dimensions

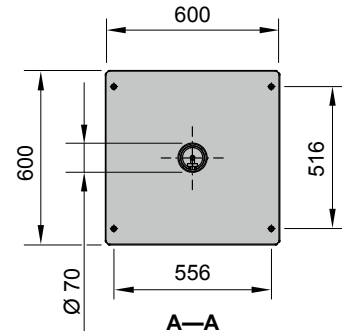
pergola – support posts with ballast boxes, coupled unit



Square posts



Round posts



On site, every stabilisation box must be filled with at least 150 kg of ballast.

- AH** = fixture height
- BK** = stabilisation box
- DH** = headroom
- H** = **order dimension** = projection
- M** = overall awning width = **MA** + 10 cm
- MA** = **order dimension** = awning fixture width = fixture width

- SH** = **order dimension** = post height
- VB** = height adjustment at the base of both the front support posts during installation approximately 100 mm
- W** = pitch setting = 5°–35°
- WS** = distance from wall ↔ support post centre

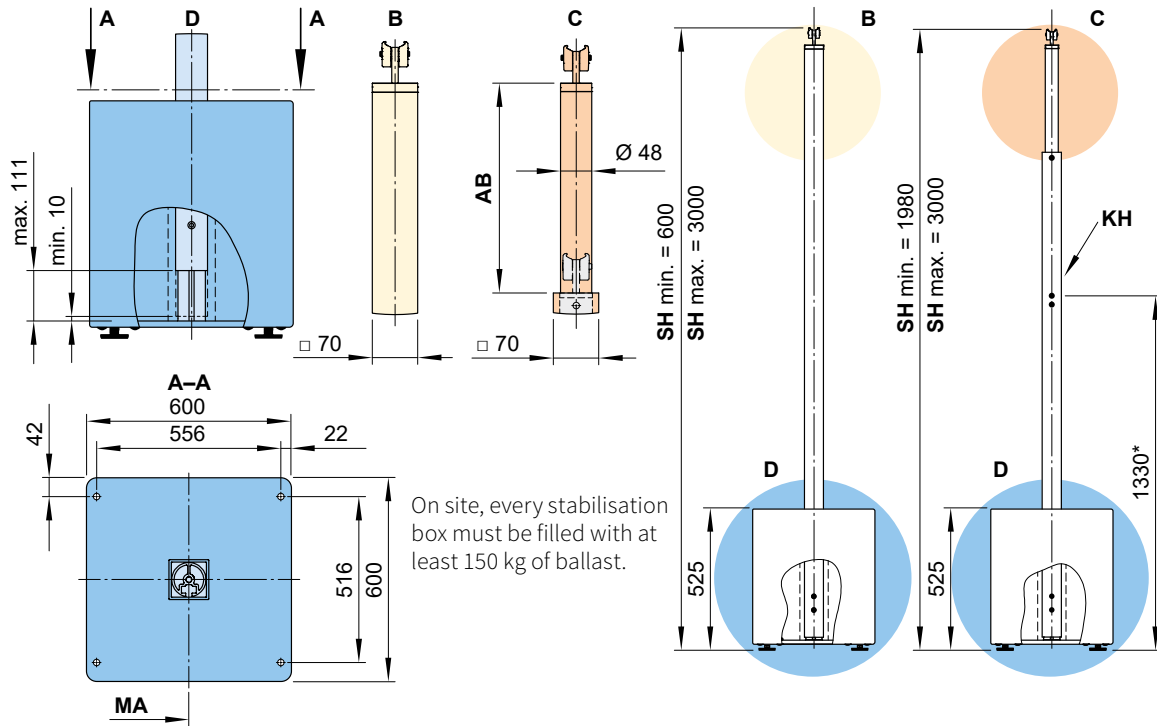
dimensions in mm

01
02
03
04
05
06
07
08
09
10
11
12
13

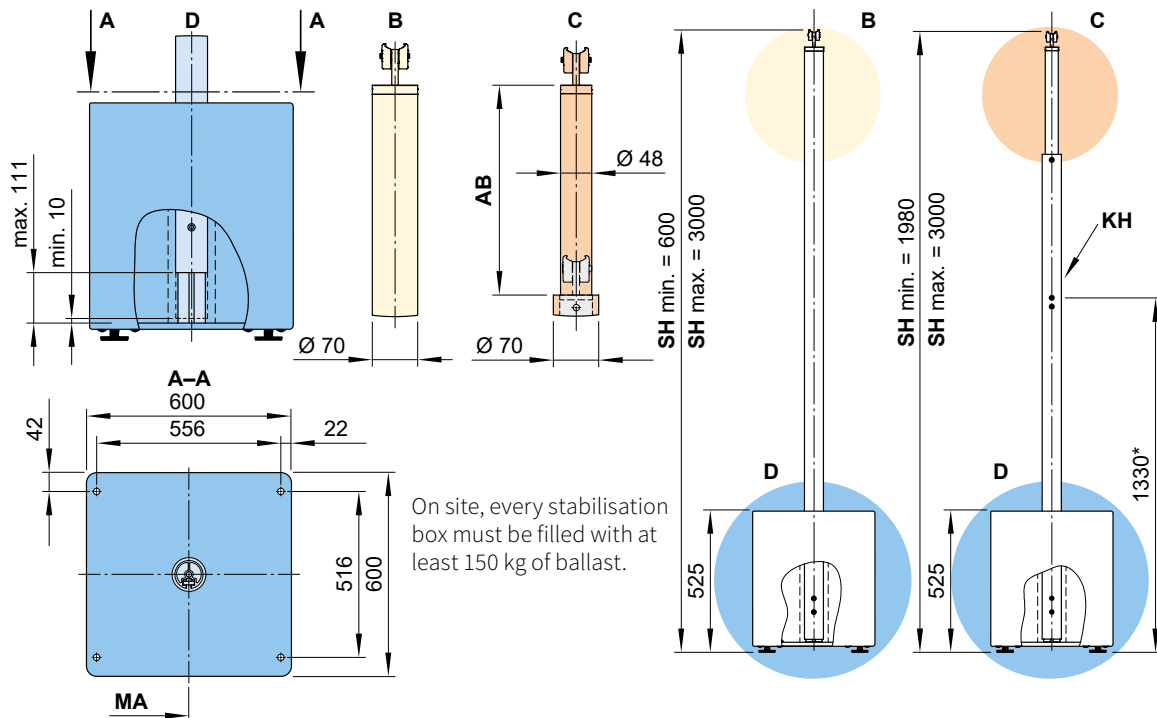
01
02
03
04
05
06
07
08
09
10
11
12
13

Post dimensions

Square support post with stabilisation box (not adjustable / adjustable)



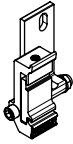
Round support post with stabilisation box (not adjustable / adjustable)



- * = dimensions at the standard height
 - AB = adjustment range of a post 200, 300 or 400.
For more detailed information please refer to "Dimensions and configuration options"
 - B = support post without manual adjustment option
 - C = support post with manual adjustment option
 - D = height adjustment at the base of both of the front support posts during installation approx. 100 mm
 - KH = winch handle socket
 - MA = **order dimension** = blind fixture width = fixture width
 - SH = **order dimension** = support post height, standard height 2500 mm (special heights on request)
- dimensions in mm

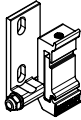
Fixtures, fittings and accessories

01
02
03
04
05
06
07
08
09
10
11
12
13



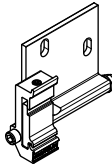
face fixture bracket left
pitch adjustment range 0°–35°

60569.



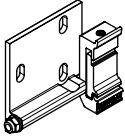
face fixture bracket right
pitch adjustment range 0°–35°

60570.



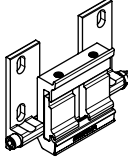
face fixture wide left
pitch adjustment range 0°–35°

60615.



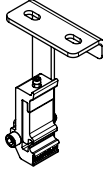
face fixture wide right
pitch adjustment range 0°–35°

60616.



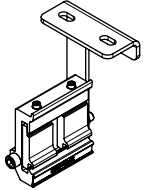
coupling bracket cassette wall
pitch adjustment range 0°–35°

60575.



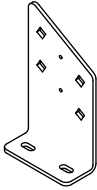
top fixture cassette bracket right / left
pitch adjustment range 5°–20°

60577.



cassette coupling bracket top fixture
pitch adjustment 5°–20°

60578.



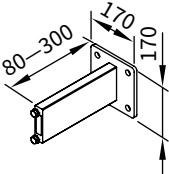
eaves fixture bracket

77010.



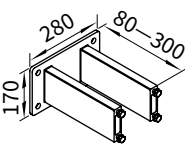
accessories for two eaves fixture brackets 77010.

767281



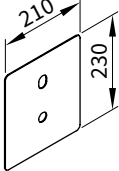
stand-off bracket for face fixture bracket
80–300 mm
incl. insulating element

77967.



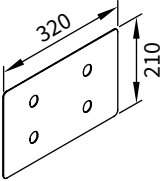
stand-off bracket for coupling bracket
80–300 mm
incl. insulating element

77970.



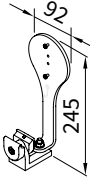
cover plate for spacer plate and stand-off brackets in the case of external insulation
210 × 230 × 2 mm

71844.



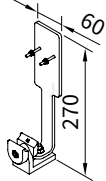
cover plate for spacer plate and stand-off brackets in the case of external insulation
320 × 210 × 2 mm

71842.



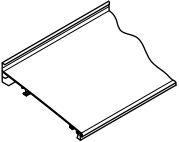
bracket for sun and/or wind sensor io

76723.



fixture bracket for light and / or wind and/or rain sensor

76050.



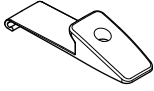
wall sealing profile incl. brush seal
by the metre

76385. and 704241.



side plate for wall sealing profile
including 2 pan-head self-tapping screws

76386. and 2 × 735611



storm safety clip / closing guide

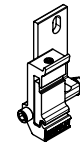
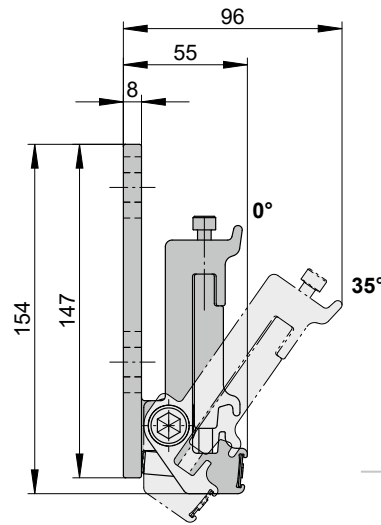
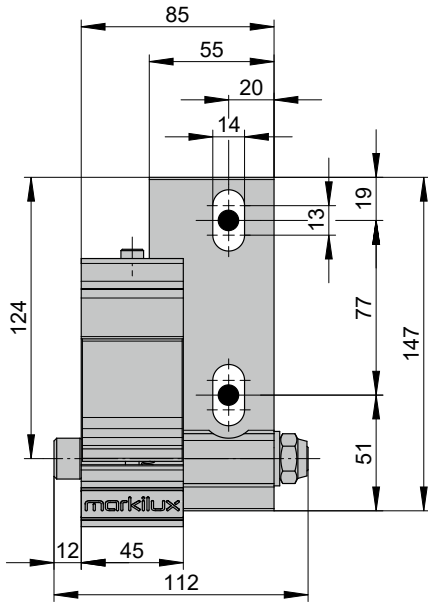
60549.

dimensions in mm

01
02
03
04
05
06
07
08
09
10
11
12
13

Face fixture

Face fixture cassette bracket, left

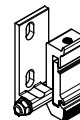
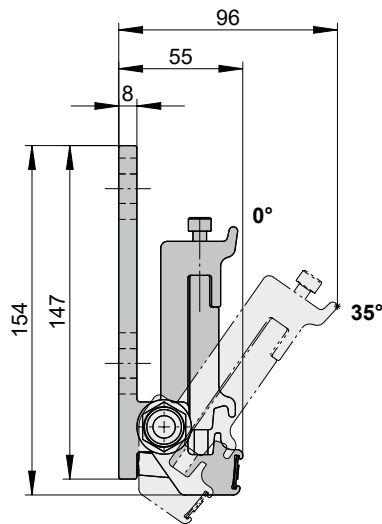
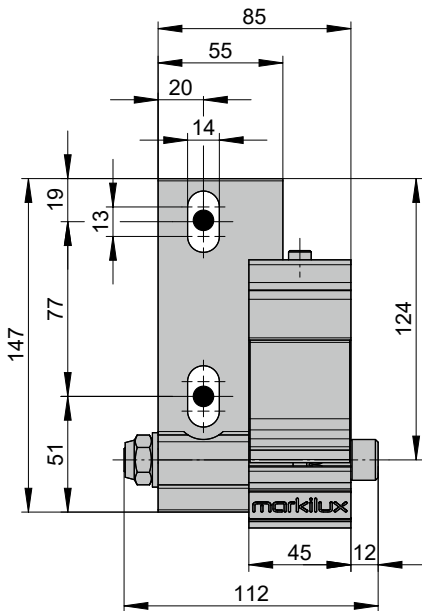


face fixture bracket
left

pitch adjustment
range 0°–35°

60569.

Face fixture cassette bracket, right



face fixture bracket
right

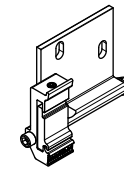
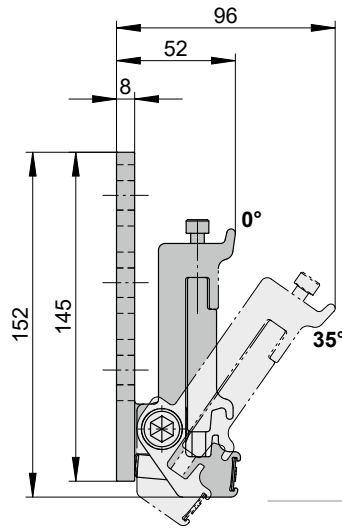
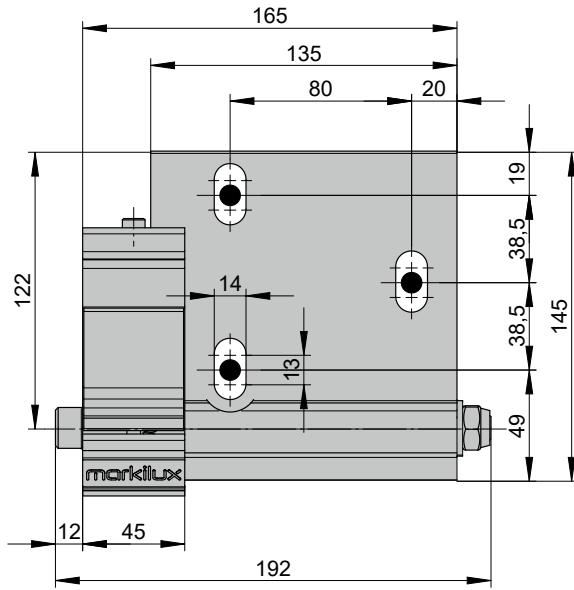
pitch adjustment
range 0°–35°

60570.

dimensions in mm

Face fixture

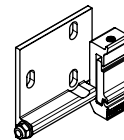
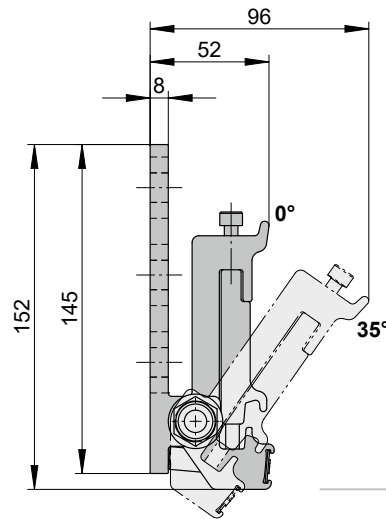
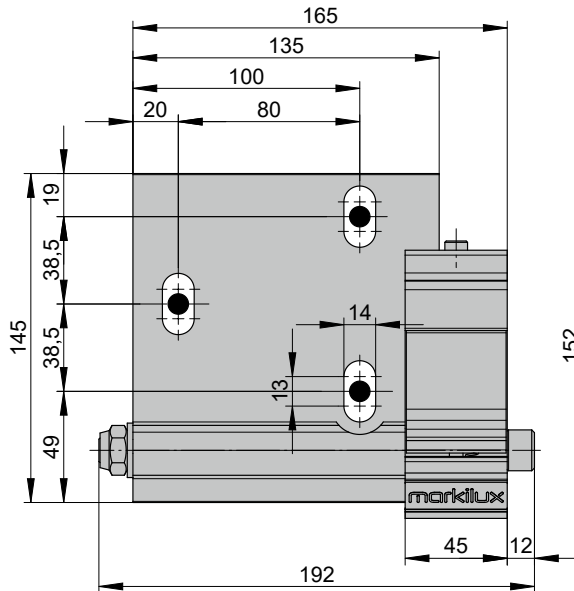
Face fixture cassette bracket, wide, left



face fixture wide left
pitch adjustment range 0°-35°

60615.

Face fixture cassette bracket, wide, right



face fixture wide right
pitch adjustment range 0°-35°

60616.

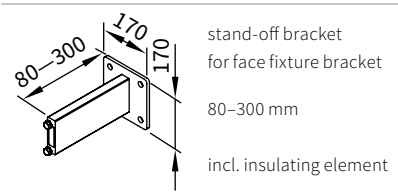
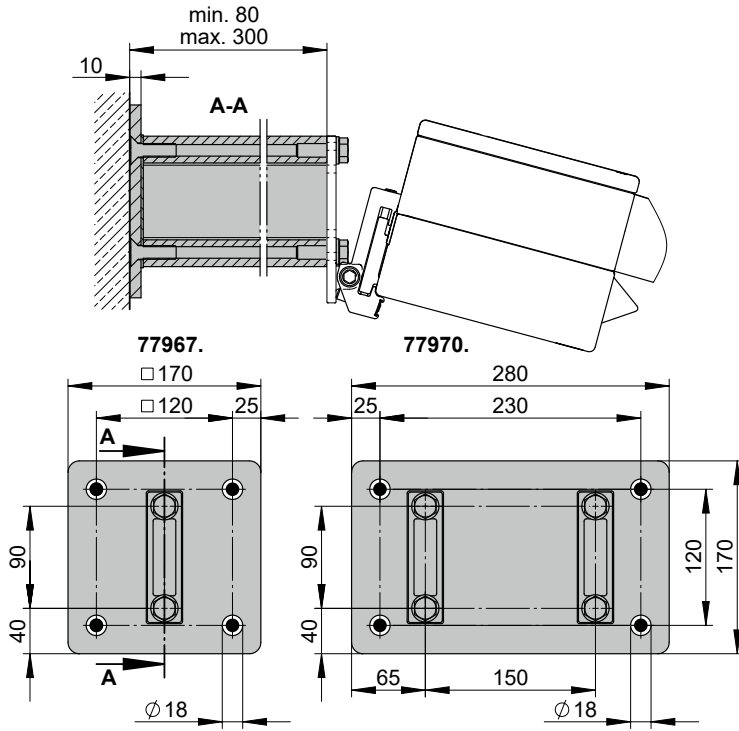
dimensions in mm

01
02
03
04
05
06
07
08
09
10
11
12
13

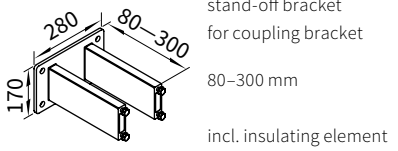
01
02
03
04
05
06
07
08
09
10
11
12
13

Face fixture

Face fixture using stand-off brackets

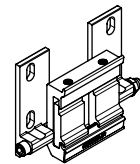
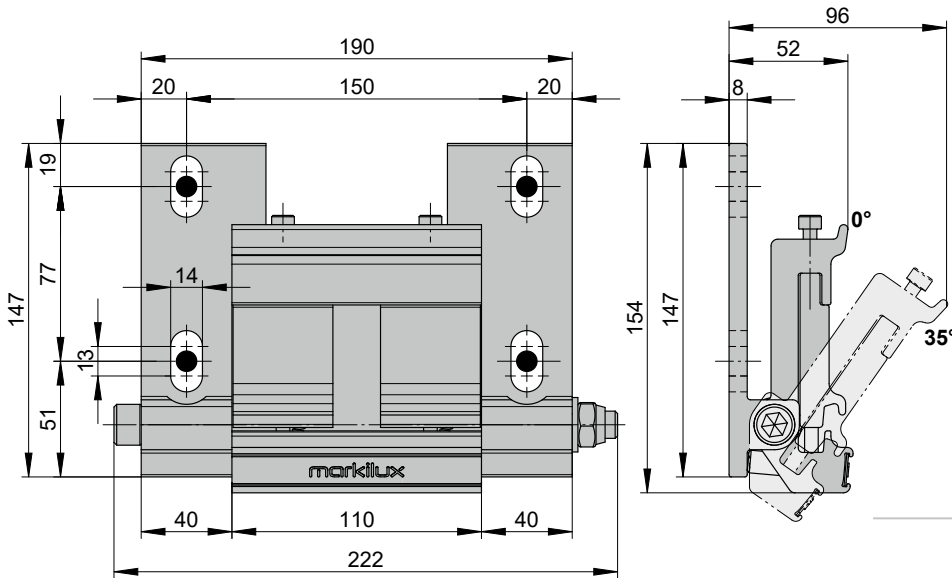


77967.



77970.

Coupling cassette bracket (central in coupled units)



coupling bracket
cassette wall

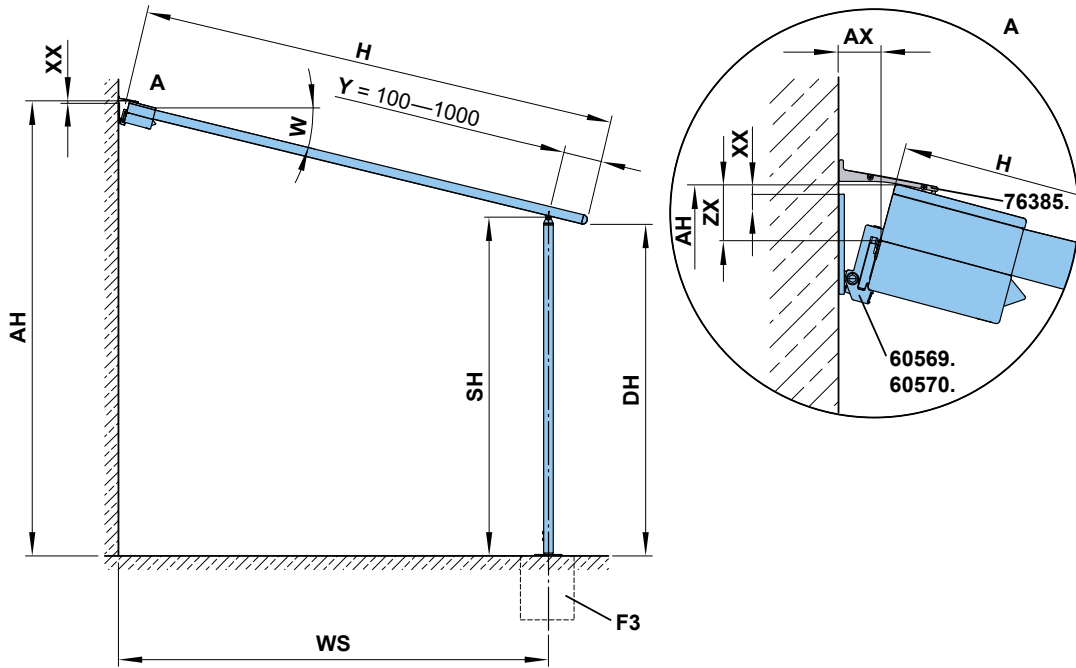
pitch adjustment range
0°-35°

60575.

dimensions in mm

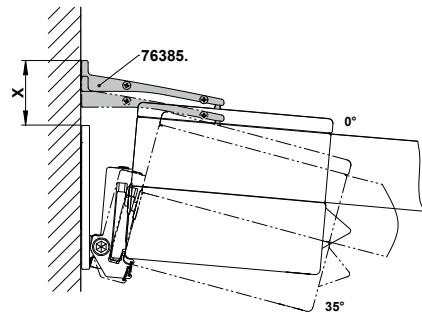
Face fixture

Dimension overview support post with footplate



W	AX	XX	ZX
0°	45	27	86
5°	51	24	85
10°	56	19	84
15°	61	14	82
20°	66	8	79
25°	70	0	76
30°	74	-8	72
35°	78	-14	68

Face fixture with wall sealing profile



dimensions in mm

W	X
0°	81
5°	72
10°	64
15°	57
20°	51
25°	46
30°	42
35°	35

76385. = wall sealing profile (standard width = awning fixture width (MA) + 58 mm)

60559. = face fixture cassette wide

AH = fixture height = SH + ZX + sin W × (H - Y)

AX = distance from wall ↔ cassette

DH = headroom = SH - sin W × Y

F3 = concrete foundation. Please refer to the section “Concrete foundations”

H = **order dimension** = extension

SH = **order dimension** = post height = AH - ZX - sin W × (H - Y)

W = pitch (measured from the horizontal)

WS = distance from wall ↔ support post centre = cos W × (H - Y) + AX

Y = **order dimension** = the support post can be moved back by min. 100 and max. 1000 mm

X = mounting height of wall connection profile from upper edge of fixture bracket

XX = distance from the top edge of the fixture bracket to the top edge of the cassette (see table)

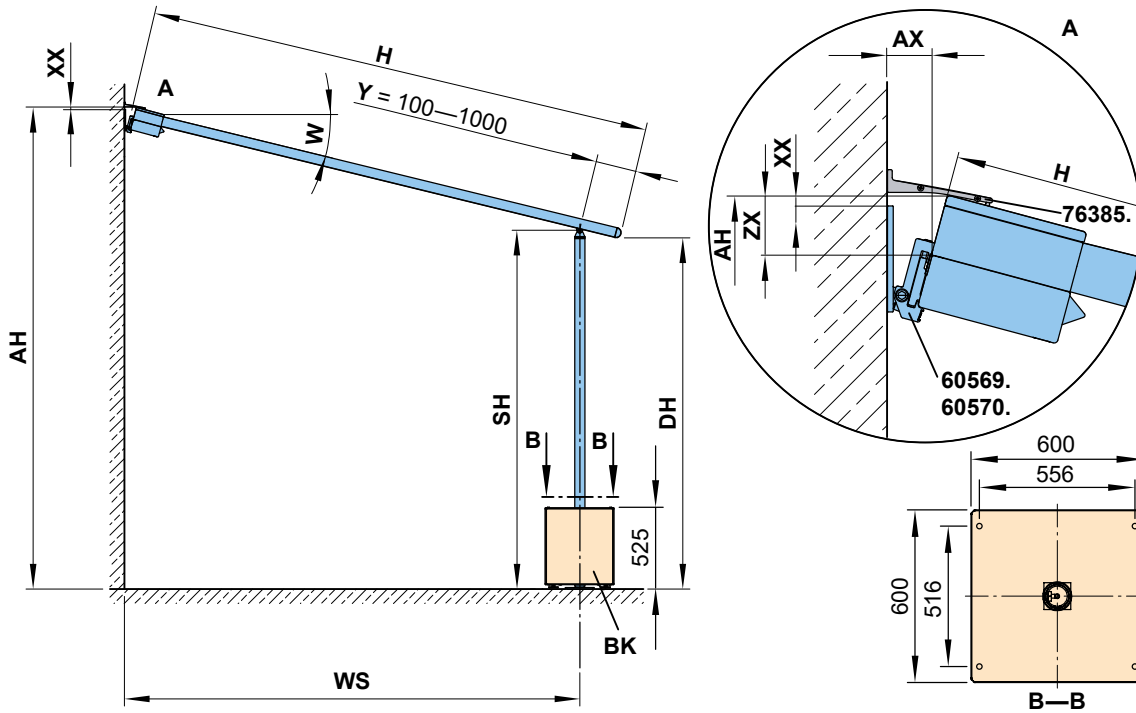
ZX = distance upper edge cassette - bottom edge of guide track (see table)

dimensions in mm

01
02
03
04
05
06
07
08
09
10
11
12
13

01 **Face fixture**

02 **Dimension overview support post with stabilisation box**



W	AX	XX	ZX
0°	45	27	86
5°	51	24	85
10°	56	19	84
15°	61	14	82
20°	66	8	79
25°	70	0	76
30°	74	-8	72
35°	78	-14	68

On site, every stabilisation box must be filled with at least 150 kg of ballast.

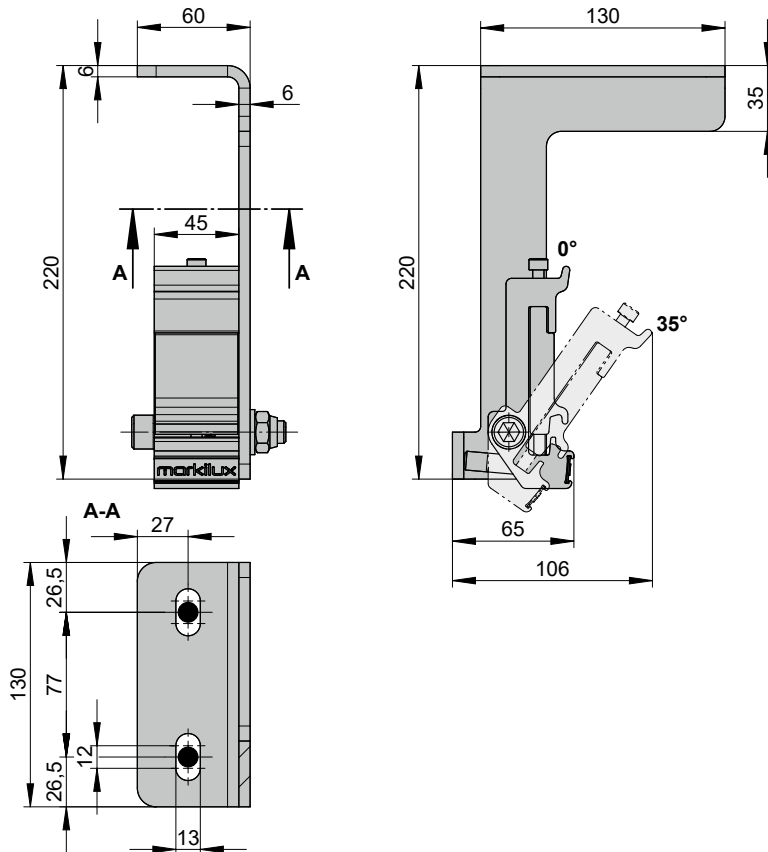
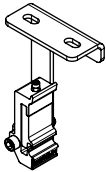
dimensions in mm

- 76385. = wall sealing profile (standard width = awning fixture width (MA) + 58 mm)
- 60559. = face fixture cassette wide
- AH = fixture height = SH + ZX + sin W × (H - Y)
- AX = distance from wall ↔ cassette
- BK = stabilisation box
- DH = headroom = SH - sin W × Y
- H = **order dimension** = extension
- SH = **order dimension** = post height = AH - ZX - sin W × (H - Y)
- W = pitch
- WS = distance from wall ↔ support post centre = cos W × (H - Y) + AX
- Y = **order dimension** = the support post can be moved back by min. 100 and max. 1000 mm
- XX = distance from the top edge of the fixture bracket to the top edge of the cassette (see table)
- ZX = distance upper edge cassette - bottom edge of guide track (see table)

dimensions in mm

Top fixture

Top fixture cassette bracket, right and left

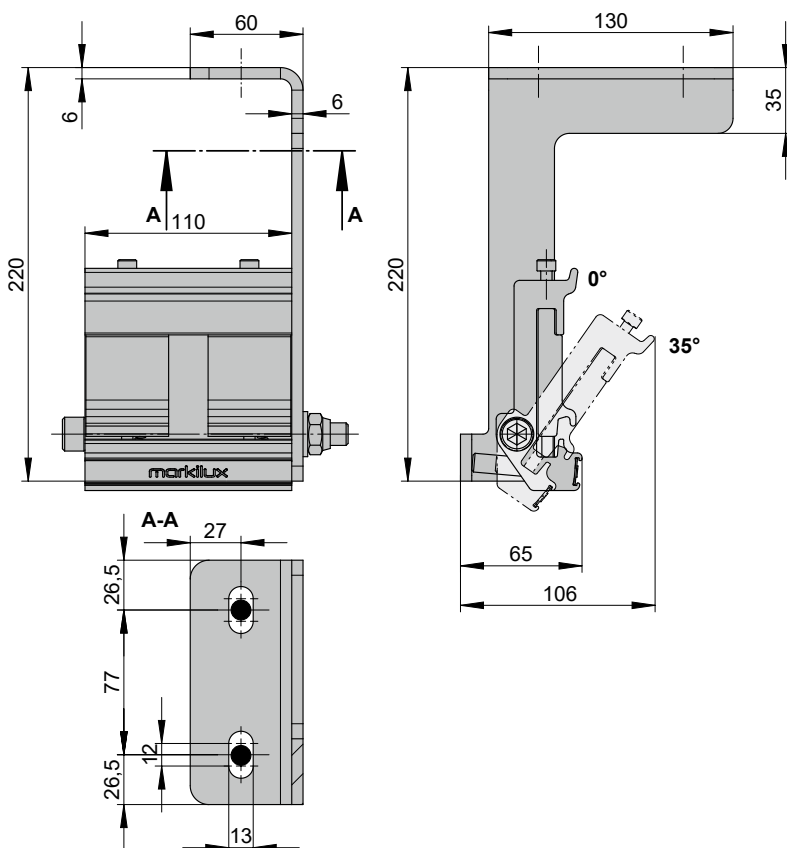
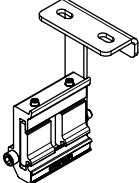



top fixture cassette bracket right / left

pitch adjustment range 5°–20°

60577.

Top fixture coupling cassette bracket (central in coupled units)

cassette coupling bracket top fixture

pitch adjustment 5°–20°

60578.

dimensions in mm

- 01
- 02**
- 03
- 04
- 05
- 06
- 07
- 08
- 09
- 10
- 11
- 12
- 13

01 **Top and eaves fixture**

Dimension overview support post with footplate

02

03

04

05

06

07

08

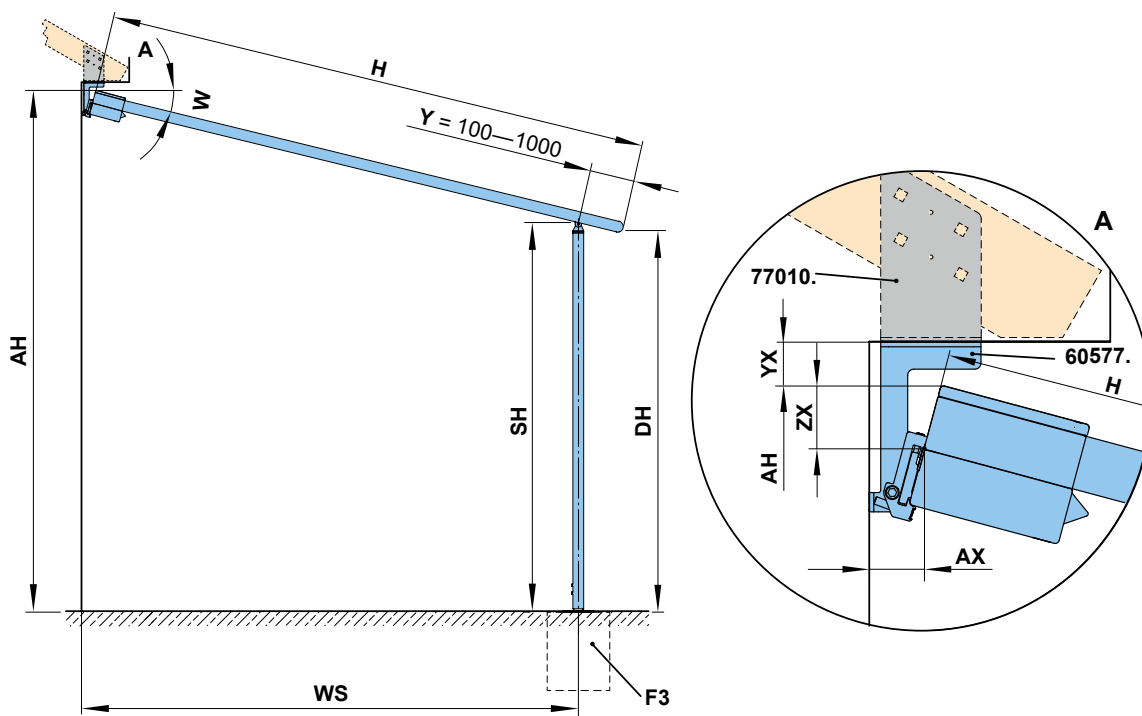
09

10

11

12

13



W	AX	YX	ZX
0°	55	44	86
5°	61	47	85
10°	66	51	84
15°	71	57	82
20°	76	63	79
25°	80	71	76
30°	84	79	72
35°	88	88	68

dimensions in mm

77010. = eaves fixture bracket

60577. = top fixture bracket left /right

AH = fixture height = $SH + ZX + \sin W \times (H - Y)$

AX = distance from wall \leftrightarrow cassette

DH = headroom = $SH - \sin W \times Y$

F3 = concrete foundation. Please refer to the section "Concrete foundations"

H = **order dimension** = projection

SH = **order dimension** = support post height, standard height 2500 mm (special heights on request) = $AH - ZX - \sin W \times (H - Y)$

W = pitch

WS = distance from wall \leftrightarrow support post centre = $\cos W \times (H - Y) + AX$

Y = **order dimension** = the support post can be moved back by min. 100 and max. 1000 mm

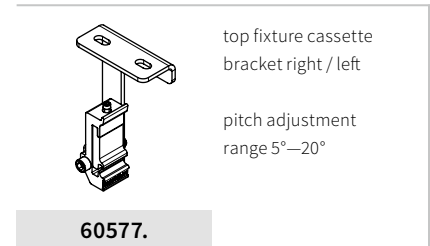
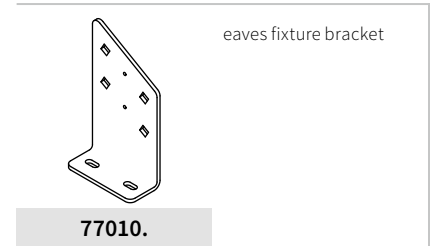
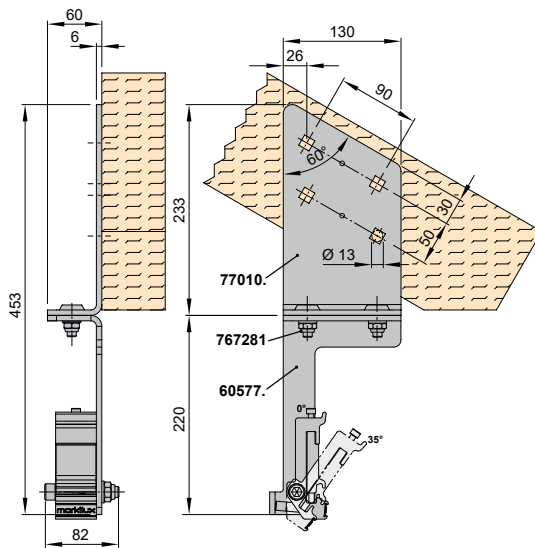
YX = measurement from the top of the cassette \leftrightarrow underside of the gutter

ZX = distance upper edge cassette \leftrightarrow bottom edge of guide track (see table)

dimensions in mm

Eaves fixture

Eaves fixture bracket



Telescopic, motor-driven post

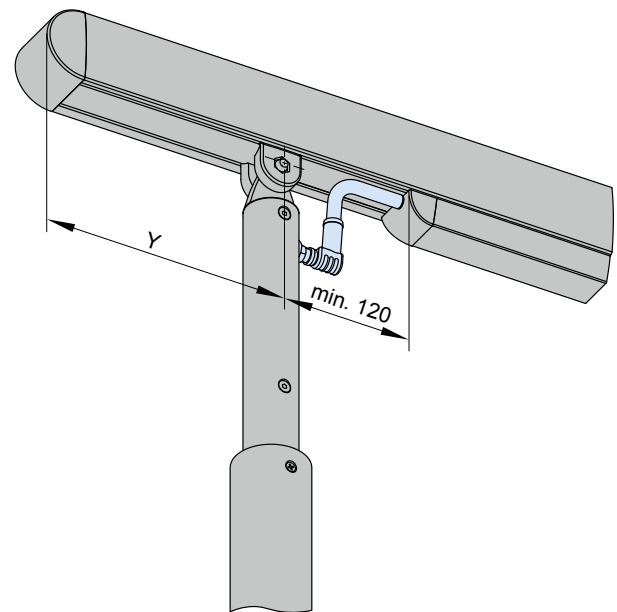
- minimum post height: 1970 mm
- motor cable, black
- the LED-Line profiles are always fitted to all guide tracks of the markilux pergola to give a harmonious look
- the awning may only be retracted or extended if the front profile is horizontal, in other words, the post must not be in the lowered position
- the shadeplus (optional) may only be operated when the post is not in the lowered position. It may only be operated when the front profile is horizontal

Controls	standard	optional
hard-wired motor	✓	—
radio receiver Somfy Slim Plug io (8271254)	—	✓
radio receiver Universal Slim Receiver RTS Plug (8272148)	—	✓

Technical details Hard-wired motor

power supply	230 V AC
power output	110 W
protection class	IP 44

Y = **order dimension** = distance from post centre to leading edge of front profile.
Dimensions: min. 100 bis max. 1000 mm (standard)



Note: In the case of a motorised post, the difference in measurement from the end of the profile cable duct / LED-Line to end of extension = $Y + 120$ mm = depending on the Y value between 22 cm and 112 cm (in the case of the LED-Line and standard post, the difference in measurement is = $Y + 50$ mm = depending on the Y value between 15 cm and 105 cm, please also take a look at Dimension overview lighting options).

dimensions in mm

01 **Overview of fixture dimensions, shadeplus**

Magnetic gearbox operation

02

03

04

05

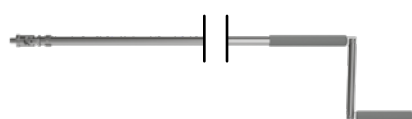
06

07

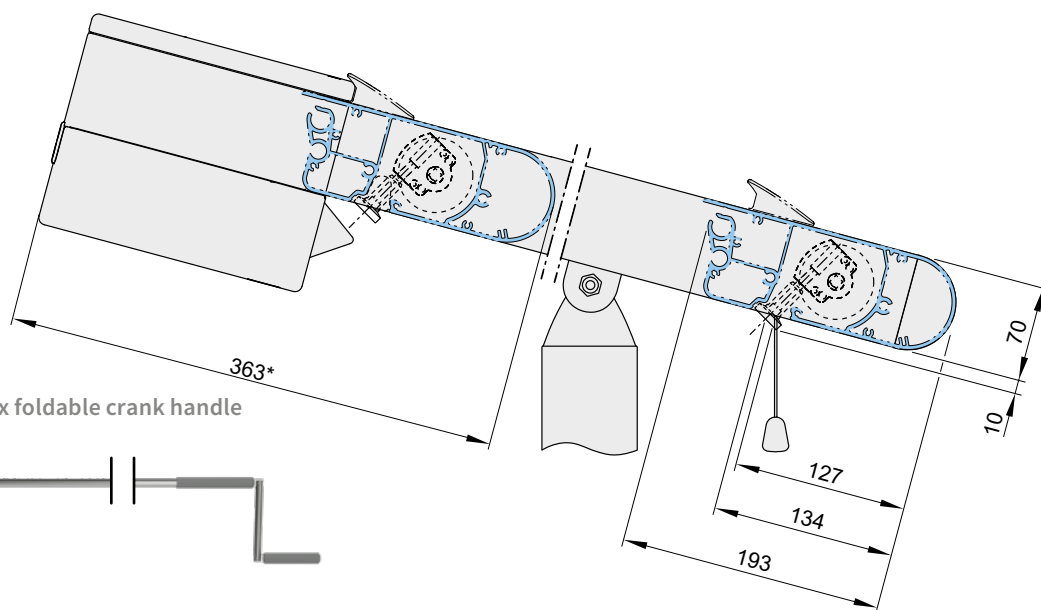
08

markilux foldable crank handle

09



10



11

with magnetic gearbox attachment for manual operation of the drop valance
lengths: standard 120 cm, optional 160 cm, from 160 cm up to 280 cm on request

12

order no. 74271

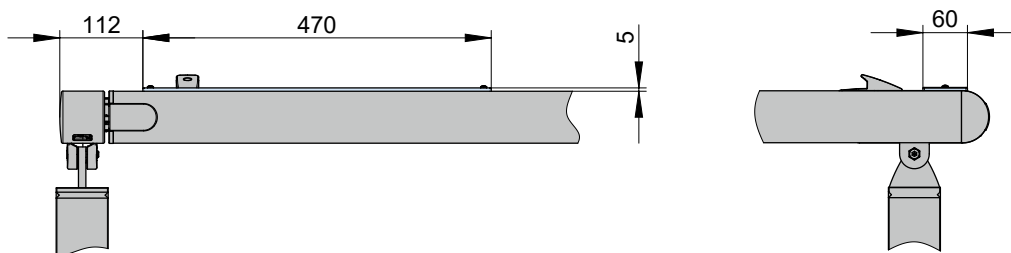
13

* = extension when retracted

Please note! The shadeplus (optional) may only be operated when the post is not in the lowered position. It may only be operated when the front profile is horizontal.

sundrive

Solar module for radio-controlled drop valance operation

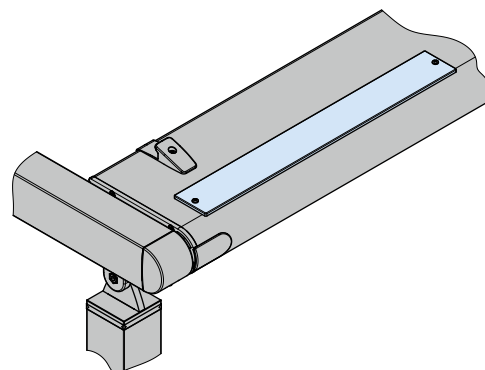


Technical data solar module

voltage	max. 21 VDC
current	max. 196 mA
power output	3,2 W
protection class	IP 44
battery capacity	2200 mAh

Technical data radio-controlled motor RTS 433 MHz

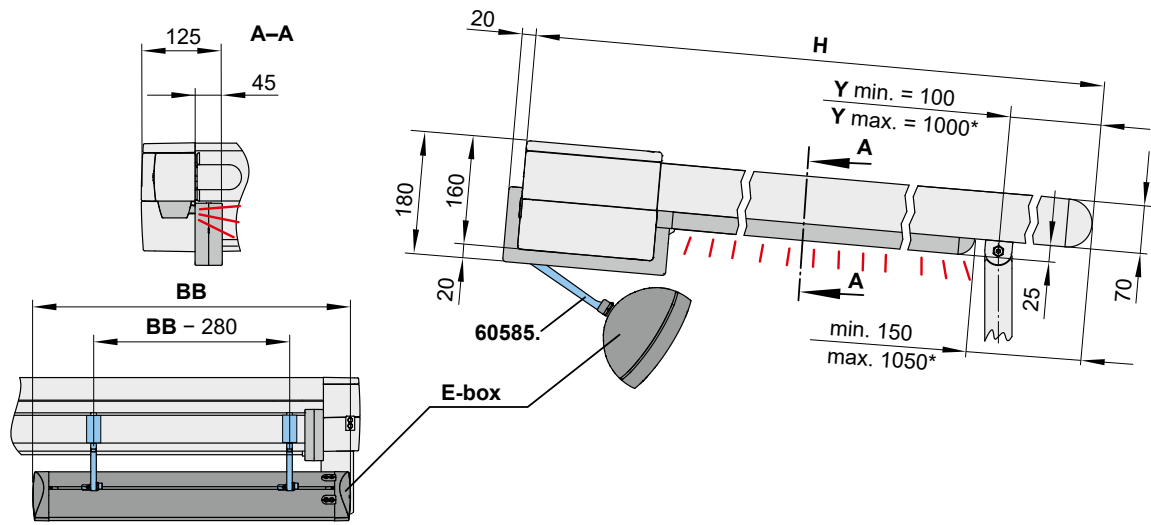
power supply	12 V DC
power output	26 W
protection class	IP 44



dimensions in mm

Dimension overview with the various lighting options

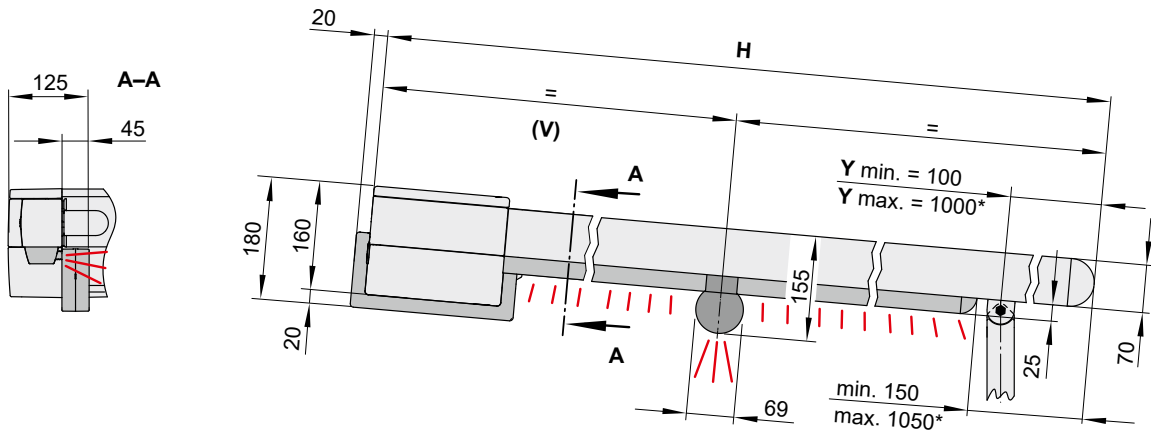
Option 1: LED-Line in the guide tracks, electronic components in an E-box



- * = standard dimension
- 60585. = cassette bracket E-box
- H = **order dimension** = projection
- E-box = see E-box for the electronics
- Y = **order dimension** = distance from post centre to leading edge of front profile

Option 2: LED-Line in the cover support tube, electronic components in the cover support tube

Option 3: LED-Line in the cover support tube and in the guide tracks, electronic components in the cover support tube



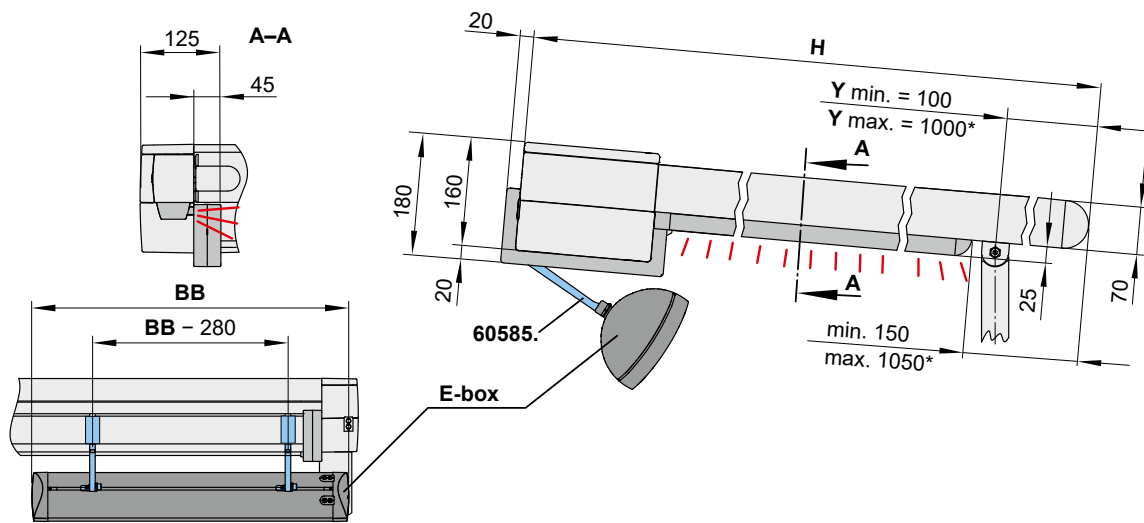
- * = standard dimension
- H = **order dimension** = projection
- V = distance from the rear of the cassette to the centre of the cover support tube. Standard: centred ($V = H \div 2$). Bespoke dimensions are available on request. Dimensions: min. = 700 mm, max. = 1590 mm
- Y = **order dimension** = distance from post centre to leading edge of front profile

dimensions in mm

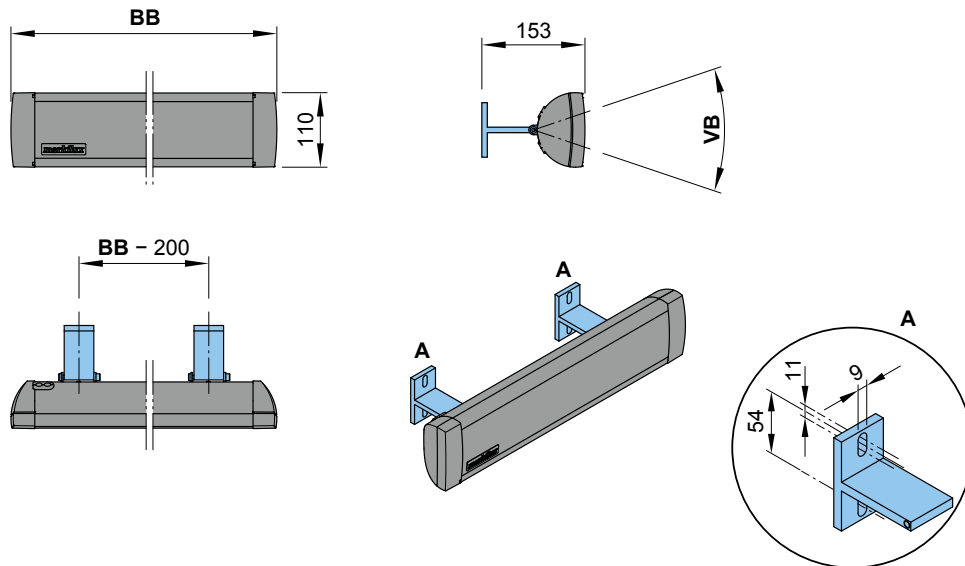
01
02
03
04
05
06
07
08
09
10
11
12
13

E-box for the electronics

In units without cover support tube



Dimension overview E-box



Minimum E-box dimensions

Wireless technology	433 RTS MHz		868 MHz io	
Extension H [cm]	< 330 cm	≥ 330 cm	< 330 cm	≥ 330 cm

Lighting options

LED-Line attached to the Guide tracks	E-box M 71850. BB = 500 mm	E-box G 71873. BB = 700 mm	E-box M 71850. BB = 500 mm
for independent use	E-box I 71851. BB = to order		

- * = standard dimension
- 60585.** = cassette bracket E-box
- BB** = order width
- E-box** = in sizes **M, G** or **I**

- H** = **order dimension** = projection
- VB** = adjustment range
- Y** = **order dimension** = possible indent dimension of support post

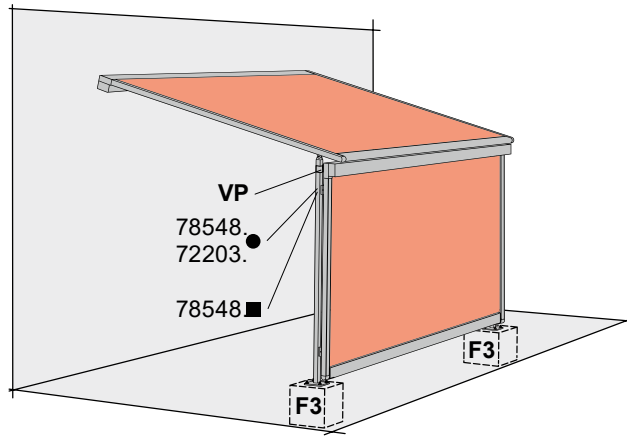
dimensions in mm

01
02
03
04
05
06
07
08
09
10
11
12
13

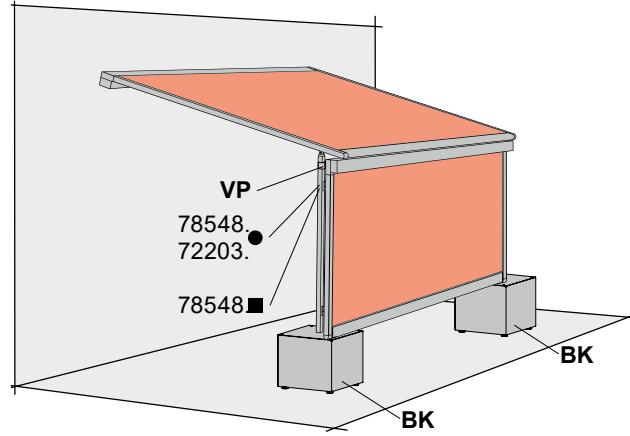
01
02
03
04
05
06
07
08
09
10
11
12
13

Combination options

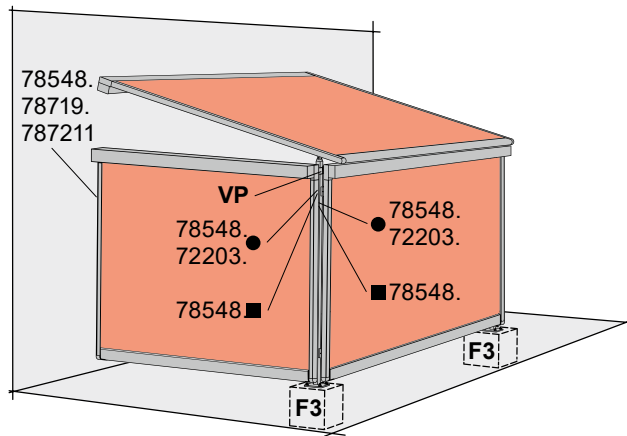
Example with markilux 776 tracfix / 876 tracfix (optionally with panorama window)



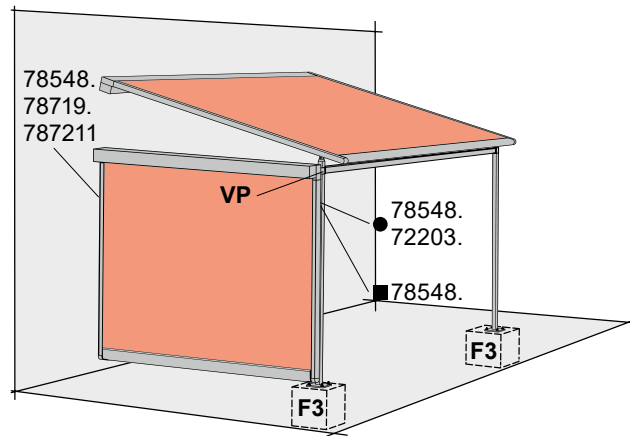
vertical cassette blind at the front



Vertical cassette blind at the front, support posts with stabilisation boxes



Installation of a vertical cassette blind both to the side



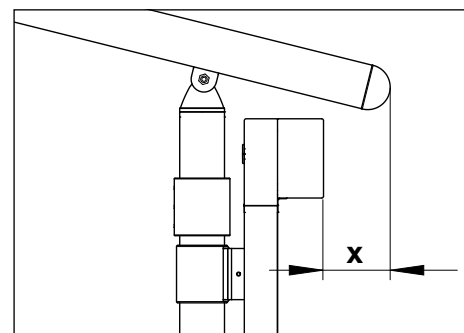
Installation of a vertical cassette blind at the side and obligatory cross member between support posts

N.B! A vertical roller blind may only be installed at the side or the front if a stabilizing profile (VP) has been fitted. A front vertical cassette blind must always be mounted under the guide tracks (see fig. 1)

The combination of markilux pergola classic with vertical cassette blinds is only permitted if two fixed posts are used.

Combination Possibilities

- markilux 790 at the side (cover optionally with angled top edge)
- markilux 790 at the front between support posts
- markilux pergola fitted to the markilux syncra
- additional combinations may be possible on request



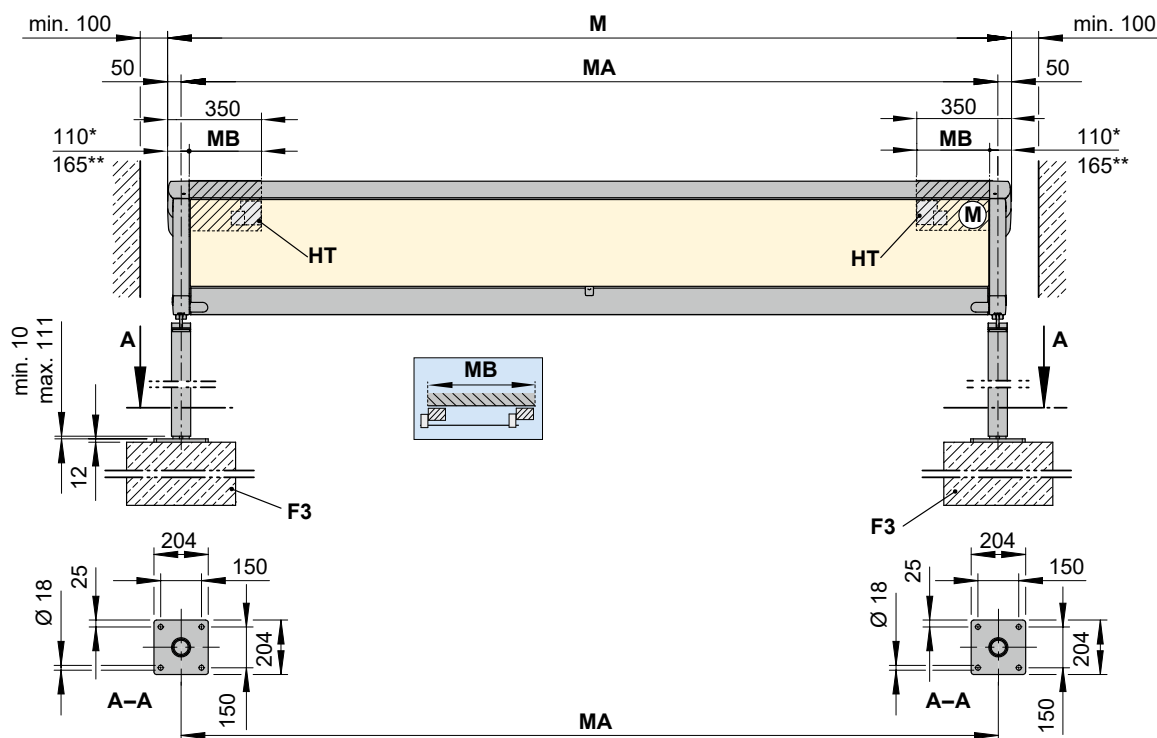
Picture 1)

- 72203.** = post fixture guide track (round post)
- 78548.** = flat track bracket
- 78719.** = additional angled bracket for the bearing, gearbox and motor sides
- 787211** = accessories for two angled brackets

- BK** = stabilisation boxes (600 × 600 × 525 mm)
- F3** = concrete footing
- VP** = cross member
- = round post
- = square post

Overview of dimensions

Reveal fixture



N.B.! In the case of reveal fixture a distance of at least 100 mm must be left free on each side of the awning.

- * = dimensions fixture range
- ** = dimensions fixture range for cable duct in case of lighting
- F3** = concrete foundation. Please refer to the section "Concrete foundations"
- HT** = bracket
- (M)** = overall awning width = **MA** + 10 cm
- M** = operation side, motor drive
- MA** = **order dimension**= awning fixture width = fixture width
- MB** = bracket fixture range

dimensions in mm

01
02
 03
 04
 05
 06
 07
 08
 09
 10
 11
 12
 13

01

Overview of dimensions

02

Reveal fixture of a coupled unit

03

04

05

06

07

08

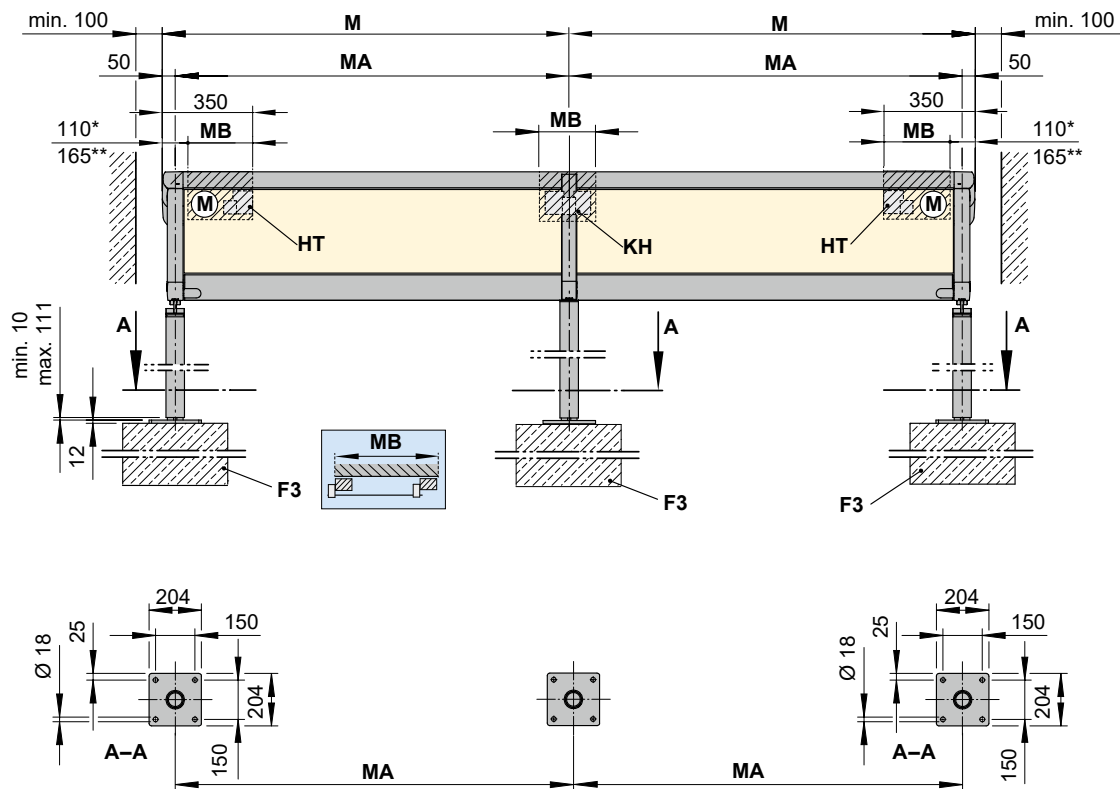
09

10

11

12

13

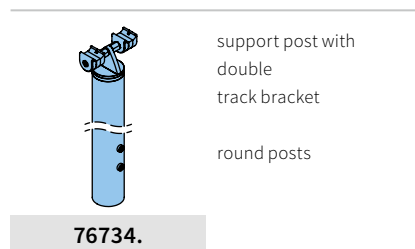
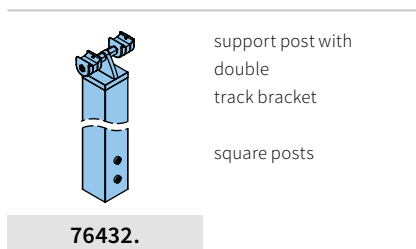
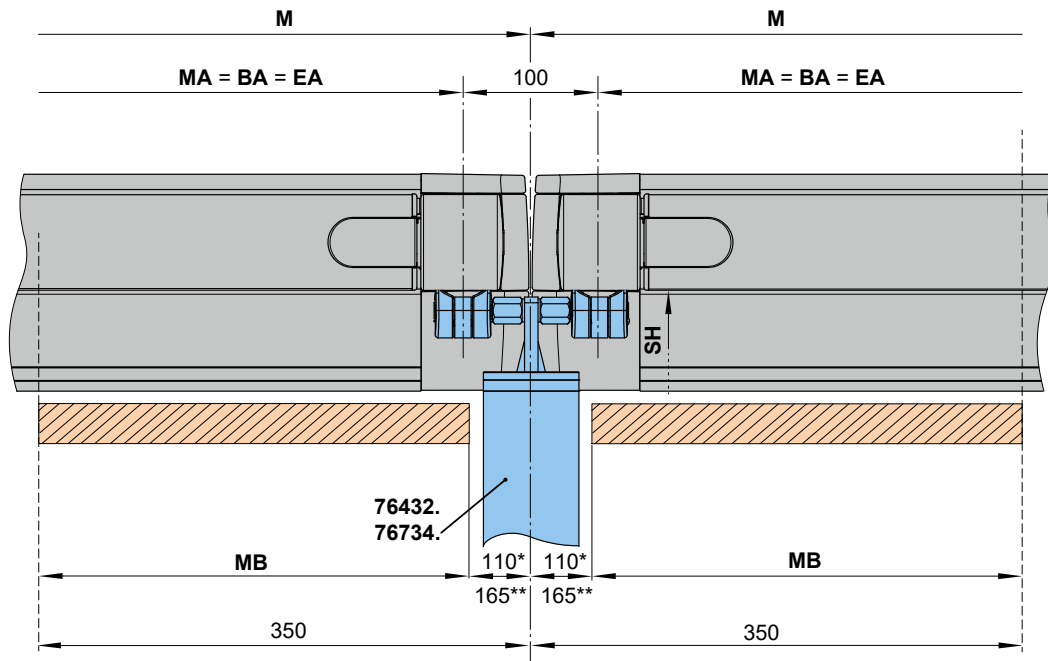


N.B.! In the case of reveal fixture a distance of at least 100 mm must be left free on each side of the awning.

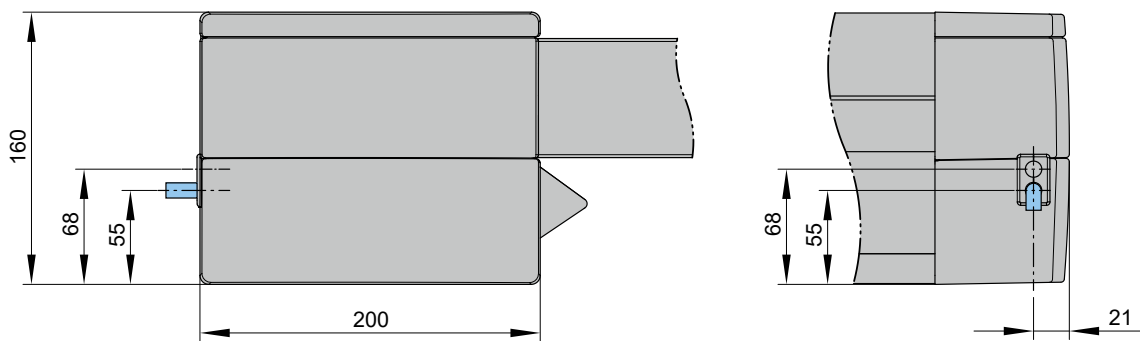
- * = dimensions fixture range
- ** = dimensions fixture range for cable duct in case of lighting
- F3** = concrete foundation. Please refer to the section "Concrete foundations"
- HT** = bracket
- KH** = coupling bracket
- M** = overall awning width = $MA + 10$ cm
- (M)** = operation side, motor drive
- MA** = **order dimension** = awning fixture width = fixture width
- MB** = bracket fixture range

dimensions in mm

Overview of dimensions, double track bracket for single units



Motor cable exit point ¹⁾



1) depending on the operation side, left or right

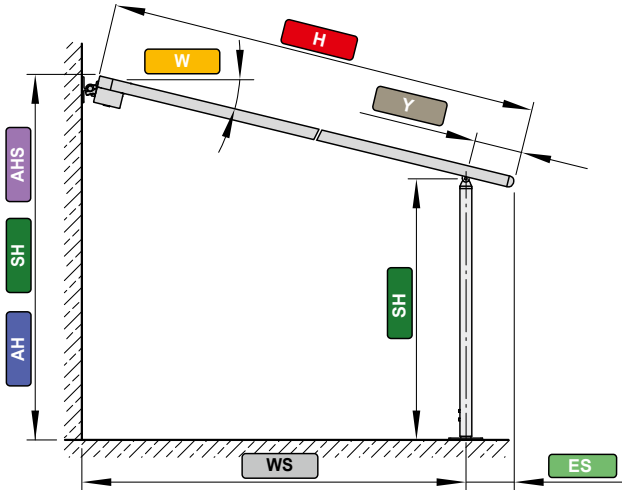
- 76734. = support post round with double track bracket
- 76432. = support post round with double track bracket
- * = dimensions fixture range
- ** = dimensions fixture range for cable duct in case of lighting
- BA = width between fixture points
- EA = single unit
- M = overall awning width = MA + 10 cm
- MA = **order dimension** = awning fixture width = fixture width
- MB = bracket fixture range
- SH = support post height

dimensions in mm

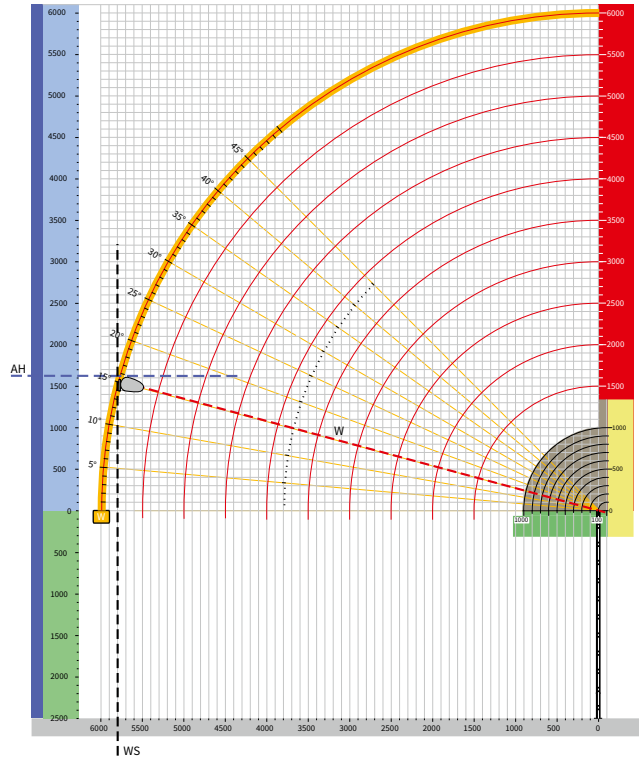
01
02
03
04
05
06
07
08
09
10
11
12
13

01 **Calculation of the approximate fixture height, examples**

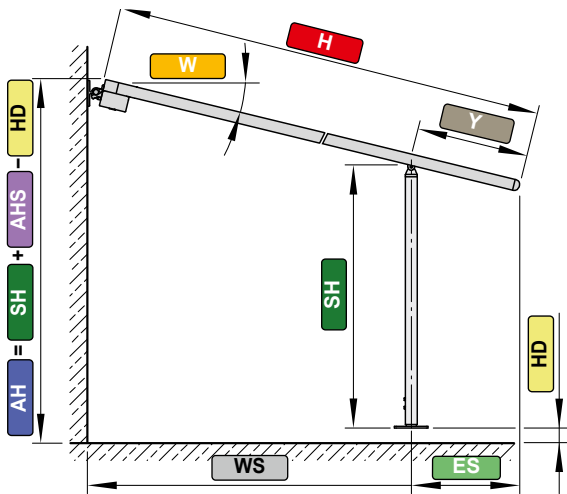
02 **Example 1: front support posts pushed as far forward as possible, $Y = 100$ mm**



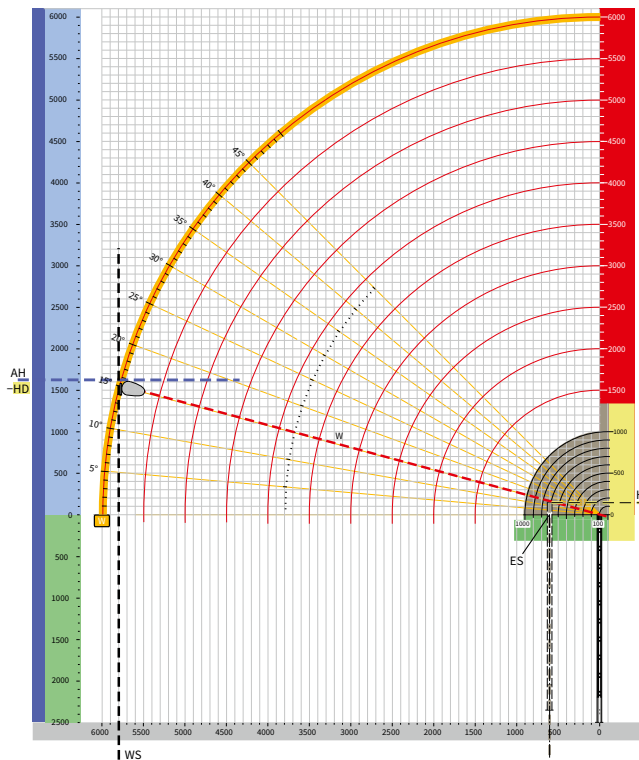
- ES = 100
- W = 15°
- H = 6000
- WS = 5800
- Y = 100
- SH = 2500
- AHS = 1620
- AH = SH + AHS = 2500 + 1620 = 4120



03 **Example 2: front support posts pushed back, $100 \text{ mm} \leq Y \leq 1000$ mm**



- ES = 700
- W = 15°
- H = 6000
- WS = 5200
- Y = 700
- HD = 130
- SH = 2500
- AHS = 1620
- AH = SH + AHS - HD = 2500 + 1620 - 130 = 3990

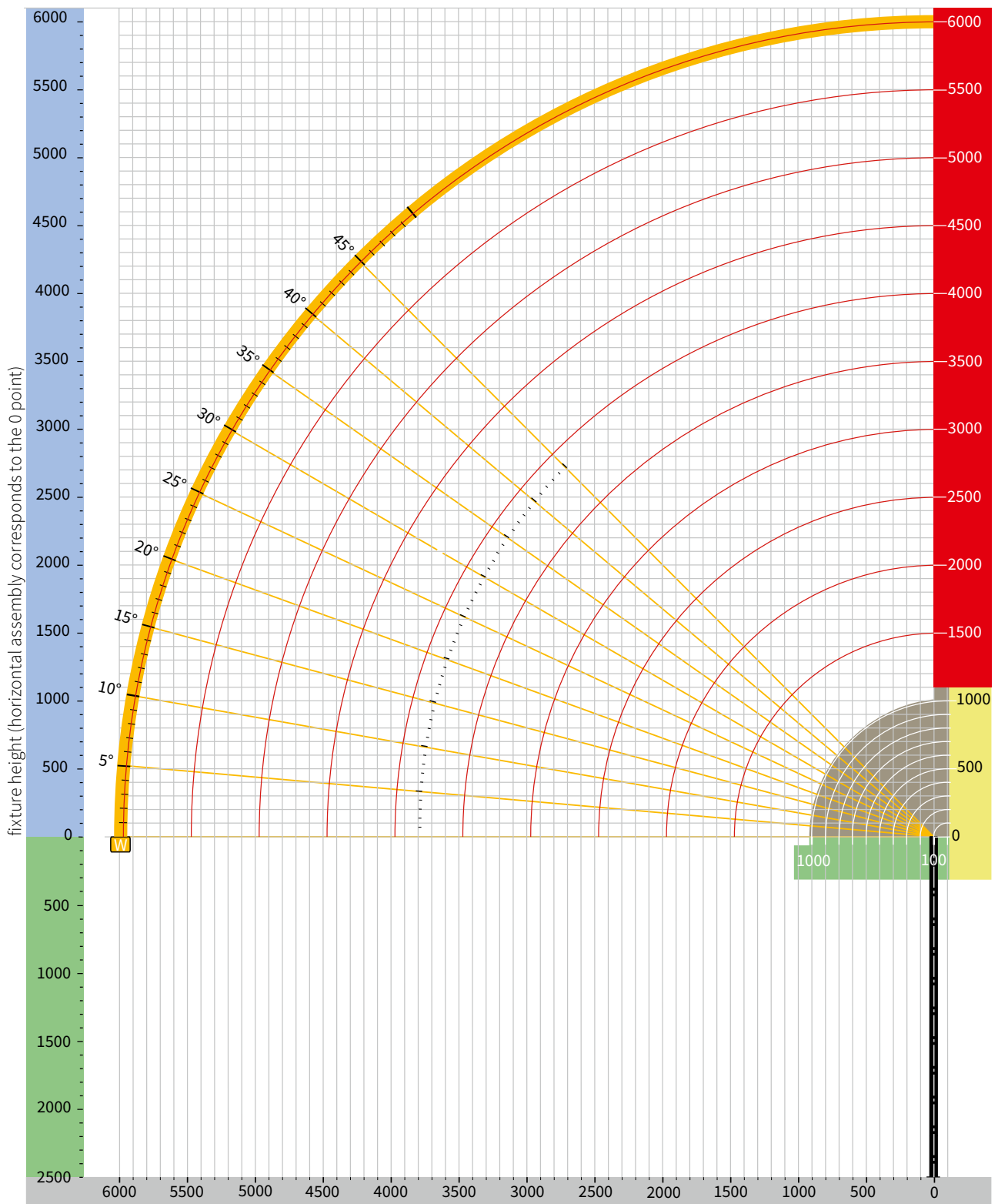


- ES = centre of support post to the \leftrightarrow leading edge of the front profile
- W = pitch
- H = extension
- WS = measurement from the wall \leftrightarrow support post
- Y = distance front support posts can be moved back
- HD = difference from the fixture height
- SH = support post height 2500 mm
- AHS = fixture height from the top edge of the support post
- AH = installation height

dimensions in mm

Calculation of the approximate fixture height

Drawing template



- 01
- 02**
- 03
- 04
- 05
- 06
- 07
- 08
- 09
- 10
- 11
- 12
- 13

N.B! An on-line tool to calculate the installation measurements can be found in the protected area of the website, pro.markilux.com.

dimensions in mm

01

02

03

04

05

06

07

08

09

10

11

12

13