



Above glass awning

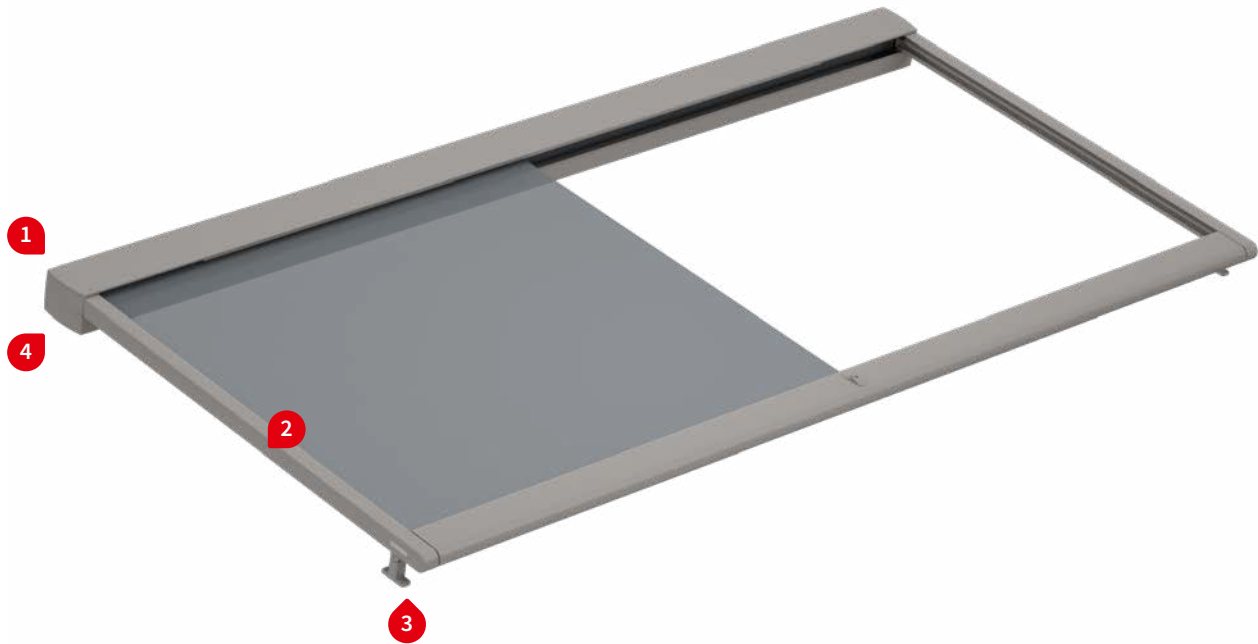
## **markilux 7800 / 7800 tracfix**

Classic, angular cassette design in combination with proven technology – offering shade over a very large area.

**Product Characteristics**

Wind resistance class 3  
Beaufort 6 → 38–48 km/h → 10.5–13.4 m/s → 24–30 mph

01  
02  
03  
04  
05  
06  
07  
08  
09  
10  
11



**12**

13  
14  
15  
16  
17  
18  
19

**1** bottom fixture



**1** face fixture



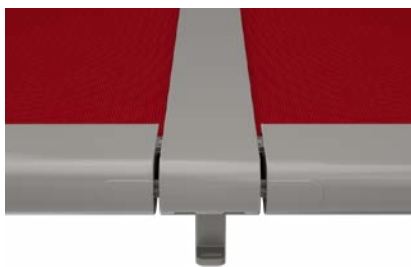
**2** tracfix cover guidance – no gap between cover <sup>1)</sup>



**3** when extended, the front profile finishes flush with the end of the guide tracks



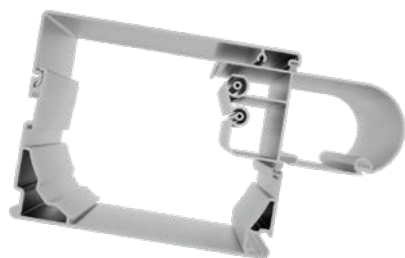
**3** coupling track



**4** maintenance opening in the cassette



**4** awning retracted, all round cover protection



1) Optional accessories

## Product Characteristics

### Description

- exterior awning for conservatories, glass canopies and large skylights
- the ingenious tensioning system and the sturdy design allow areas of up to 36 m<sup>2</sup> to be shaded by one awning (with tracfix system 30 m<sup>2</sup>) – up to 5 awnings can be coupled together

### Special features

- fully encompassing cassette that protects the cover perfectly
- the awning cover is bonded with stabilising vertical panel joints – in the case of the series sunvas, sunsilk, sunbow and perla FR the standard panel width is 60 cm (perfortex 120 cm / Soltis Perform 92 88,5 cm / transolair 84 cm) – in order to achieve the optimum overall cover tension and stability
- tracfix optional: the continuous lateral cover guidance system that leaves no gap between the cover and guide tracks – gives improved wind stability and a cleaner appearance
- option of a silentec motor – motor noise is appreciably reduced
- tried-and-tested tensioning system with drive belts and integrated gas pistons – delivers optimum cover tension – in any phase of extension
- the broad range of brackets with patented clip-on system offers individual fixture solutions
- can be combined with vertical cassette markilux 776 / 620 tracfix / 625 tracfix

### Dimensions

- single unit: 60–700 cm in width, maximum extension 700 cm (depending on the width)
- maximum dimensions, width × extension: 500 × 700 cm / 550 × 650 cm / 600 × 600 cm / 650 × 500 cm / 700 × 450 cm (without tracfix system)
- maximum dimensions, width × extension: 500 × 600 cm / 550 × 500 cm / 600 × 450 cm (with tracfix system)
- intermediate sizes are available

### Roller tube and lateral bearings

- round roller tube Ø 95 mm with keyway, galvanised steel – excellent stability, ensures near perfect cover performance even at the largest widths
- the roller tube bearing is made of die-cast aluminium

### Awning profiles

- extruded aluminium, in facade quality, powder coated
- cassette profile in two pieces, angular, height × depth 200 mm × 160 mm
- guide tracks angular, width × height 60 mm × 70 mm (coupled unit 116 × 70 mm)
- front profile rounded at the front, depth × height 150 mm × 70 mm

### End caps

- in order to achieve the optimum overall cover tension and stability
- the maintenance covers on the cassette are made of die-cast aluminium, powder coated
- the front profile end caps are made of high-quality plastic, powder coated

### Fixture brackets

- extruded aluminium, powder coated
- cassette brackets: bottom fixture, face fixture, top fixture
- brackets for the guide tracks: stand-off brackets for bottom fixture, lateral fixture, reveal fixture
- standard bracket heights: 100 mm / 140 mm / 100–500 mm (bespoke heights can be ordered)
- track-only fixture of the awning is possible up to a fixture width of 600 cm without any housing support
- other accessories are available

01 **Frame colours**02 **markilux frame colours without surcharge**

03 traffic white, RAL 9016



04 metallic aluminium, RAL 9006



05 grey brown, similar to RAL 8019

06 off-white textured finish, 5233 <sup>1)</sup>07 stone grey metallic, 5215 <sup>1)</sup>08 anthracite metallic, 5204 <sup>1)</sup>09 **12** havana brown textured finish, 5229 <sup>1)</sup>10 **Non-standard powder-coated finish**

11 Bespoke frame colours incur a surcharge – matt, metallic, finely textured and pearl finishes as well as other colour ranges (DB, Tiger etc.) on request. All frame colours are available at a surcharge with enhanced corrosion protection.

12 Colours may differ slightly from those depicted in both hue and finish.

1) textured finish

# Dimensions and configuration options

Single unit

Order dimensions	Awning fixture width												Minimum fixture width					
	150	200	250	300	350	400	450	500 <sup>1)</sup>	550 <sup>1)</sup>	600 <sup>1)</sup>	650 <sup>1)</sup>	700 <sup>1)</sup>	Hardwired motor	Radio-controlled motor				
	60	151	201	251	301	351	401	451	501	551	601	651	60 [73]	68 [81]				
	150	200	250	300	350	400	450	500	550	600	650	700						
Overall width	+ 10																	
H	150																	
	200																	
	250																	
	300																	
	350																	
	400 <sup>2)</sup>	.	.	.	.	.	.	.	.	.	.	.			.	.		
	450 <sup>2)</sup>	.	.	.	.	.	.	.	.	..	..	..			..	..		
	500 <sup>2)</sup>	.	.	.	.	.	.	.	..	..	..	..			..	..		
	550 <sup>2)</sup>	.	.	.	.	.	.	..	..	..	..	..	..	..				
	600 <sup>2)</sup>	.	.	.	.	.	..	..	..	..	..	..	..	..				
650 <sup>2)</sup>	.	.	.	.	.	..	..	..	..	..	..	..	..					
700 <sup>2)</sup>	..	..	..	..	..	..	..	..	..	..	..	..	..					

Dimensions in cm

= tracfix (optional)

= tracfix not available

- 1) = depending on the fixture method, a central angled support bracket is necessary for a cover support tube from a width of 451 cm
- 2) = from an extension of 401 cm an additional track bracket per track is required
- = 1 cover support tube, if unit is without tracfix
- = 2 cover support tubes, if unit is without tracfix
- [...]= dimensions in the case of tracfix units
- H = projection

Operation	standard	optional
crank handle	—	—
hard-wired motor	✓	—
silentec motor (optionally with an external io / RTS receiver)	—	✓
radio-controlled motor io, 868 MHz	—	✓
radio-controlled motor RTS, 433 MHz	—	✓

Coupled awnings
2-5 fields, 1 motor per field
alternatively 2 fields 1 motor / 3 fields 2 motors / 4 fields 2 motors
maximum size per field: see "single unit" dimensions

**General notes**  
 Different field extensions are available in a coupled awning. The rolling up behaviour of the covers may vary in coupled awnings that have different field sizes. This does not effect the functionality of the awning or shorten the service life of the covers.

Awning cover	fabric pattern no.	standard	optional
sunvas <sup>1) 6)</sup>	300..-315..	✓	—
sunsilk <sup>1) 6)</sup>	324.. / 328.. / 369..	✓	—
sunbow <sup>1) 6)</sup>	411..-427..	✓	—
smart art <sup>1)</sup>	340..	—	✓
perla FR <sup>1) 5)</sup>	371.. / 372..	—	✓
perfortex <sup>2)</sup>	331.. / 332..	✓	—
transolair <sup>3)</sup>	338..	—	✓
transolair (120 cm) <sup>1)</sup>	339..	—	✓
Soltis Perform 92 <sup>4)</sup>	92-..	—	✓

Standard fabric panel widths

- 1) 60 cm      2) 120 cm      3) 84 cm
- 4) 88,5 cm      5) Only in tracfix units

6) In the case of striped patterns, a symmetrical pattern repeat at every second seam is not possible.

Shadeplus
not available

Optional accessories
tracfix – cover guidance system holding the cover neatly in the guide rails
storm safety clip for the cassette
wall sealing profile
several motors in a coupled awning, can be operated independently
automatic controls (light, wind, rain)

N.B. Important background information can be found in the chapter "Optional Accessories"

# Dimensions and configuration options

Coupled unit, 2 fields <sup>4)</sup>

		Awning fixture width									
		500 <sup>3)</sup>	600 <sup>3)</sup>	700 <sup>3)</sup>	800	900	1000	1100	1200	1300	1400
Order dimensions		401	501	601	701	801	901	1001	1101	1201	1301
		500	600	700	800	900	1000	1100	1200	1300	1400
Overall width		+ 10									
H	150										
	200										
	250										
	300										
	350										
	400	.	.	.	.	.	.	.	.	.	.
	450	.	.	.	.	.	.	.	..	..	..
	500	.	.	.	.	.	.	..	..	..	—
	550	.	.	.	.	.	..	..	..	—	—
	600	.	.	.	.	..	..	..	..	—	—
	650	.	.	.	.	..	..	..	—	—	—
700	..	..	..	..	..	..	—	—	—	—	

## 12

Coupled unit, 3 fields <sup>4)</sup>

		Awning fixture width															
		600 <sup>3)</sup>	700 <sup>3)</sup>	800	900	1000	1100	1200	1300	1400	1500	1600	1700	1800	1900	2000	2100
Order dimensions		551	601	701	801	901	1001	1101	1201	1301	1401	1501	1601	1701	1801	1901	2001
		600	700	800	900	1000	1100	1200	1300	1400	1500	1600	1700	1800	1900	2000	2100
Overall width		+ 10															
H	150																
	200																
	250																
	300																
	350														.	.	.
	400	.	.	.	.	.	.	.	.	.	.	.	.	.	.	.	.
	450	.	.	.	.	.	.	.	.	.	.	..	..	..	..	..	..
	500	.	.	.	.	.	.	.	.	.	..	..	..	..	..	.. <sup>2)</sup>	—
	550	.	.	.	.	.	.	.	.	..	..	..	..	..	—	—	—
	600	.	.	.	.	.	.	.	..	..	..	..	..	..	—	—	—
	650	.	.	.	.	.	.	.	..	..	..	..	.. <sup>1)</sup>	—	—	—	—
700	..	..	..	..	..	..	..	..	..	..	—	—	—	—	—	—	

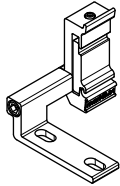
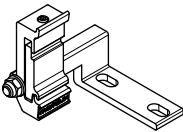
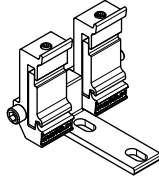
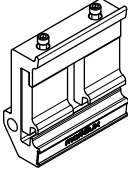

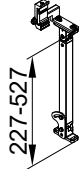
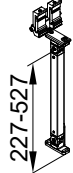
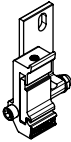
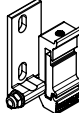
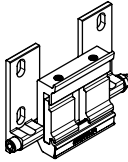
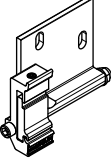
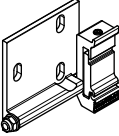
- 1) = maximum fixture width of 1650 cm
- 2) = maximum fixture width of 1950 cm
- 3) = the cassette will be supplied in one piece as standard. If, for transportation or installation reasons, the cassette needs to be split, please note this explicitly when ordering.
- 4) = maximum field dimensions: see dimension overview for a single unit
- = 1 cover support tube, if unit is without tracfix
- = 2 cover support tubes, if unit is without tracfix
- H = **order dimension** = extension

= tracfix (optional)
   
 = tracfix not available

dimensions in cm

# Fixtures, fittings and accessories

## Bottom fixture brackets, cassette

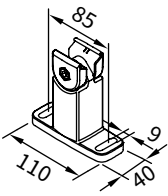
 <p>bottom fixture left</p> <p><b>60557.</b></p>	 <p>bottom fixture right</p> <p><b>60558.</b></p>	 <p>coupling bracket cassette bottom fixture</p> <p><b>60572.</b></p>
 <p>coupling bracket cassette for track fixture</p> <p><b>60602.</b></p>	 <p>raised cassette bracket left</p> <p><b>60605.</b></p>	 <p>raised cassette bracket right</p> <p><b>60606.</b></p>
 <p>raised cassette bracket coupling</p> <p><b>60607.</b></p>	 <p>face fixture bracket left pitch adjustment range 0°–35°</p> <p><b>60569.</b></p>	 <p>face fixture bracket right pitch adjustment range 0°–35°</p> <p><b>60570.</b></p>
 <p>coupling bracket cassette wall pitch adjustment range 0°–35°</p> <p><b>60575.</b></p>	 <p>face fixture wide left pitch adjustment range 0°–35°</p> <p><b>60615.</b></p>	 <p>face fixture wide right pitch adjustment range 0°–35°</p> <p><b>60616.</b></p>

01  
02  
03  
04  
05  
06  
07  
08  
09  
10  
11  
**12**  
13  
14  
15  
16  
17  
18  
19

# Fixtures, fittings and accessories

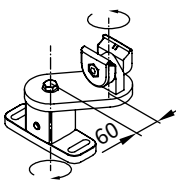
## Track bracket

01  
02  
03  
04  
05  
06  
07  
08  
09  
10  
11  
12  
13  
14  
15  
16  
17  
18  
19



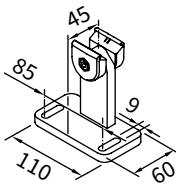
track bracket, with adjustable head  
100 mm

**76046.**



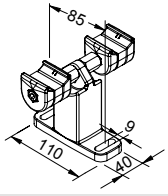
windmill track bracket  
100 mm

**76054.**



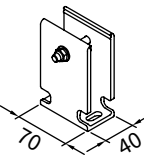
track bracket with offset footplate  
100 mm

**76199.**



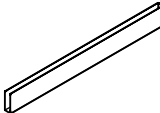
double track bracket with adjustable head  
100 mm

**76191.**



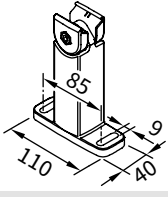
track bracket for track-only fixture, rigid  
100 mm

**76017.**



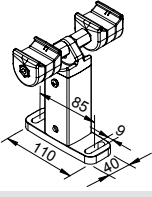
track bracket for track-only fixture, rigid by the metre, undrilled, 100 mm maximum length 6 mm

**76013.**



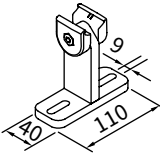
track bracket, with adjustable head  
140 mm

**76048.**



double track bracket with adjustable head  
140 mm

**76192.**



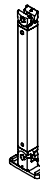
track bracket for conservatory transom fixture  
100 mm

**76055.**



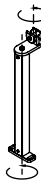
track bracket, with adjustable head  
140-500 mm

**76047.**



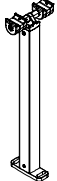
track bracket, with adjustable head and foot  
200-500 mm

**76045.**



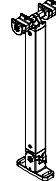
universal track bracket with adjustable head  
140-500 mm

**76053.**



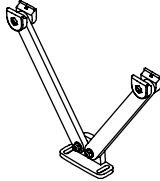
double track bracket with adjustable head  
140-500 mm

**76193.**



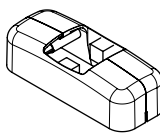
double track bracket with adjustable head and foot  
200-500 mm

**76194.**



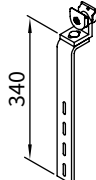
vario-V bracket for track fixture

**76052.**



covering cap for square track bracket  
standard accessory for bracket

**2 x 76718.**

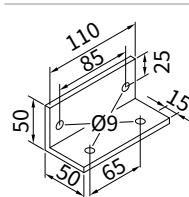
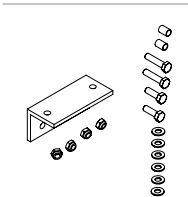
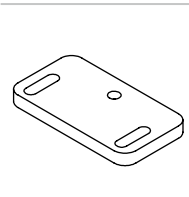
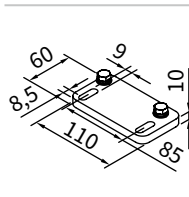
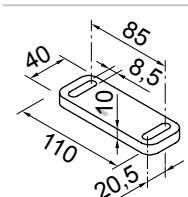
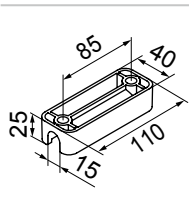
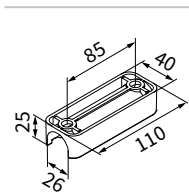
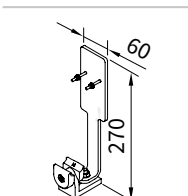
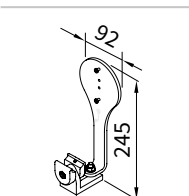
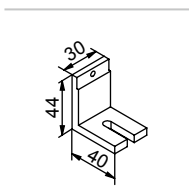
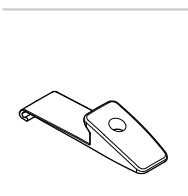
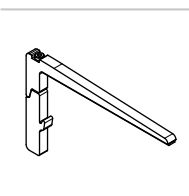
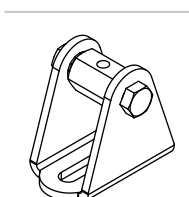
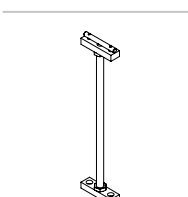


flat track bracket with adjustable head  
for lateral guide track fixture

**76049.**

# Fixtures, fittings and accessories

## Accessories

 <p>angled mounting bracket</p> <p><b>76098.</b></p>	 <p>angled mounting bracket 76098. including coupling bolts</p> <p><b>76099.</b></p>	 <p>adapter plate for track bracket 110 × 60 × 10 mm</p> <p><b>78158.</b></p>
 <p>adapter plate for track bracket 110 × 60 × 10 mm</p> <p><b>78165.</b></p>	 <p>spacer plate for track bracket 110 × 40 × 10 mm</p> <p><b>78570.</b></p>	 <p>track bracket accessory width 14 mm for direct assembly on conservatory rafters</p> <p><b>76804.</b></p>
 <p>track bracket accessory width 25 mm for direct assembly on conservatory rafters</p> <p><b>76805.</b></p>	 <p>fixture bracket for light and / or wind and/or rain sensor</p> <p><b>76050.</b></p>	 <p>bracket for sun and/or wind sensor io</p> <p><b>76723.</b></p>
 <p>angled bracket to prevent deflection of the cover support tube for bracket height 100 mm</p> <p><b>76065.</b></p>	 <p>storm safety clip / closing guide</p> <p><b>60549.</b></p>	 <p>storm safety bracket</p> <p><b>60583.</b></p>
 <p>diagonal tensioning kit 4 wire tensioners, 1 tensioning wire (stainless steel)</p> <p><b>71790.</b></p>	 <p>support bracket to prevent deflection of the cover support tube can be shortened to between 70–320 mm (with clamp plate)</p> <p><b>71780.</b></p>	

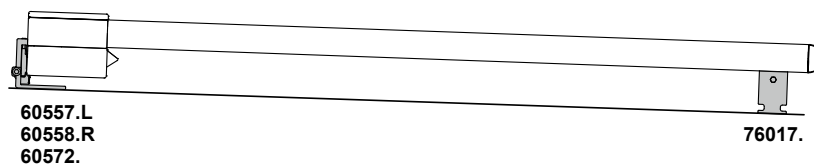
01  
02  
03  
04  
05  
06  
07  
08  
09  
10  
11  
**12**  
13  
14  
15  
16  
17  
18  
19

01 **Fixture types**

Bottom fixture

02

03 **11**

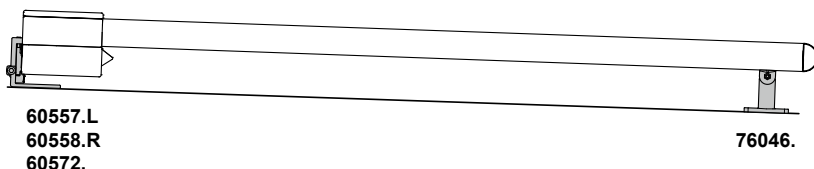


04

05

06

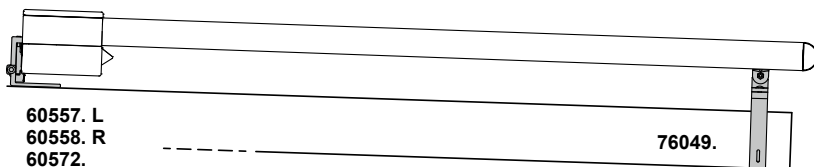
07 **14**



08

09

10 **21**



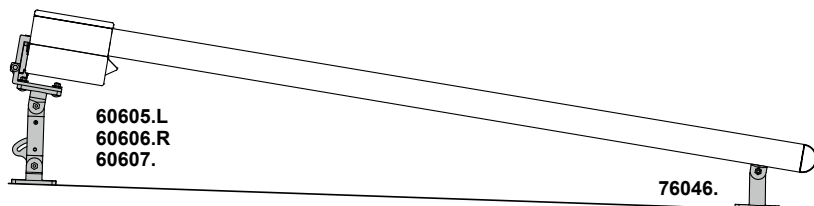
11

**12**

13

14 **61**

Up to an extension of 400 cm

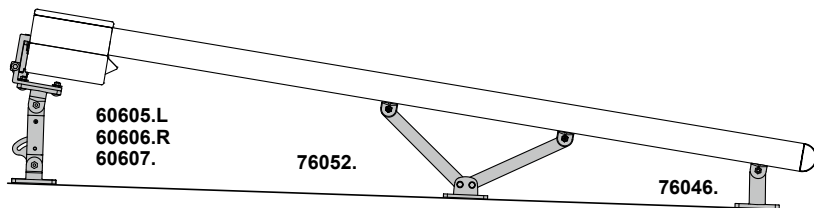


15

16

17 **81**

From an extension of 401 cm



18

19

**Individual bracket selection:**

See "Fixtures, fittings and accessories".

**Bottom fixture**

Awning extension > 400 cm, always 2 brackets per guide track.

## Fixture types

### Track-only fixture

31



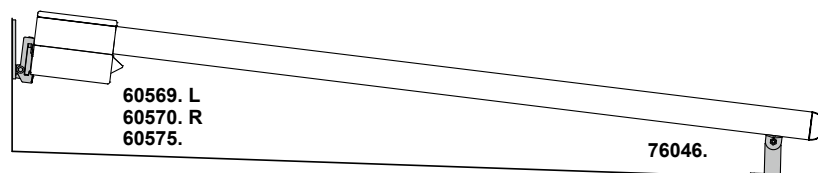
32



### Face fixture

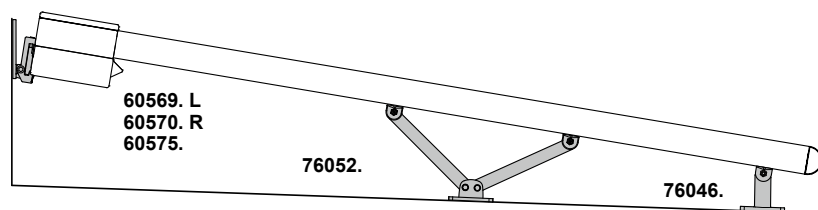
12

Up to an extension of 400 cm



51

From an extension of 400 cm



22



### Individual bracket selection:

see "Fixtures, fittings and accessories".

### Track-only fixture

Not recommended with a coupled awning.

In the case of raised brackets > 140 mm, always 3 brackets per guide track, regardless of the extension.

### Face fixture

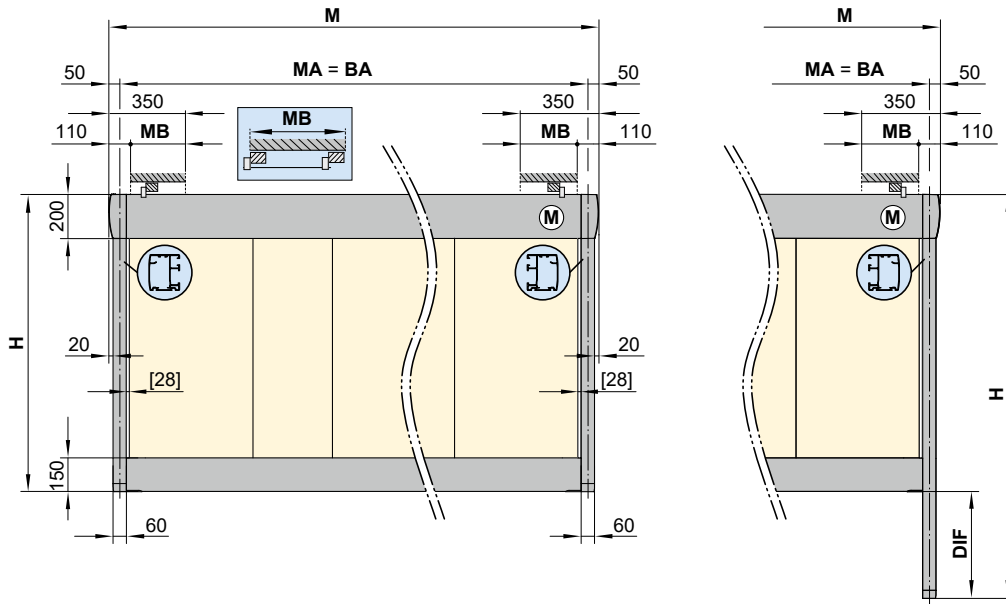
Awning extension > 400 cm, always 2 brackets per guide track.

01  
02  
03  
04  
05  
06  
07  
08  
09  
10  
11  
**12**  
13  
14  
15  
16  
17  
18  
19

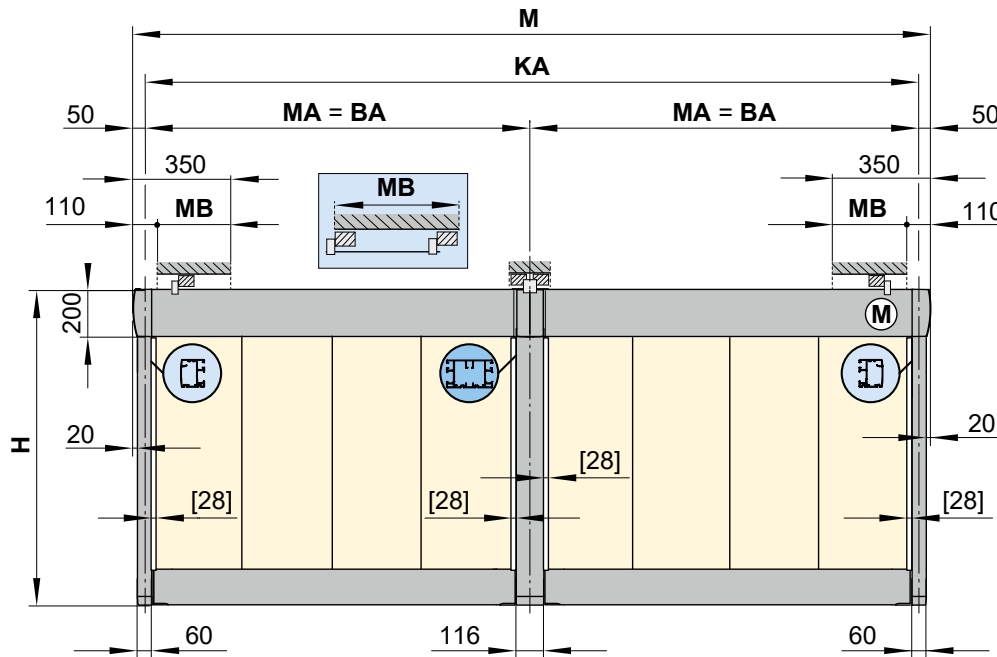
# Overview of dimensions

Single unit 1 field, 1 motor

Guide track variant, asymmetrical lengths



## 12 Coupled unit, 2 fields, 1 motor



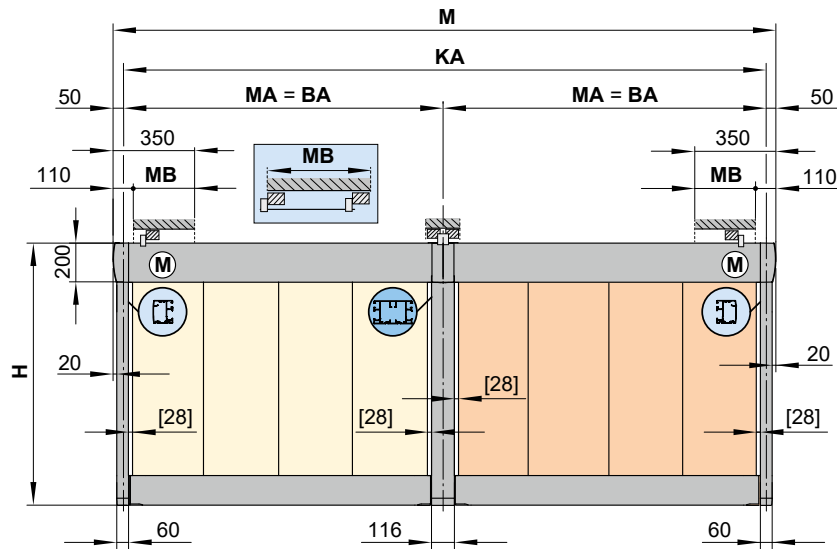
- [...] = dimensions of the cover gap in a standard unit, no cover gap in units with tracfix system
- BA = width between fixture points
- DIF = difference in measurement
- H = **order dimension** = projection
- KA = overall fixture width coupled awning

- M = overall blind width =  $MA + 100$  mm
- MA = **order dimension** = awning fixture width = fixture width
- MB = bracket fixture range
- Ⓜ = motor

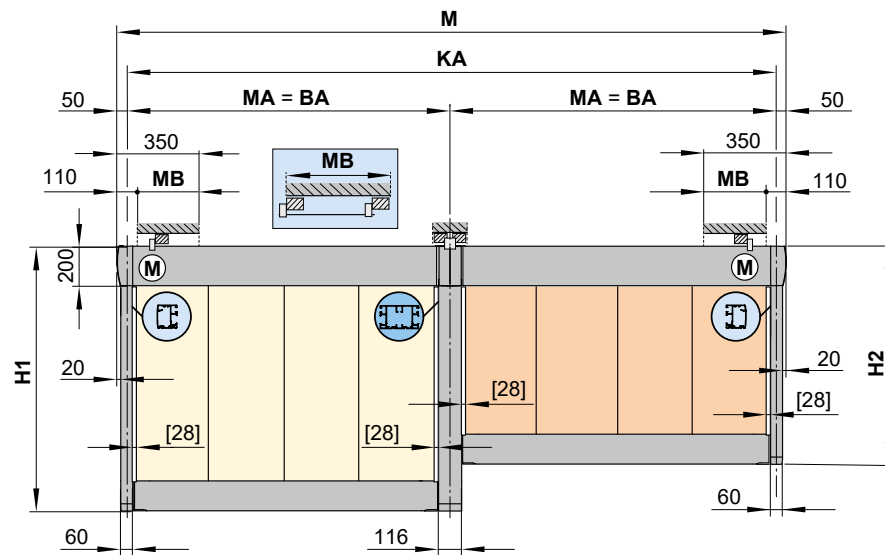
dimensions in mm

# Overview of dimensions

Coupled unit, 2 fields, 2 motors



Coupled unit, 2 fields, 2 motors, asymmetrical guide track extensions



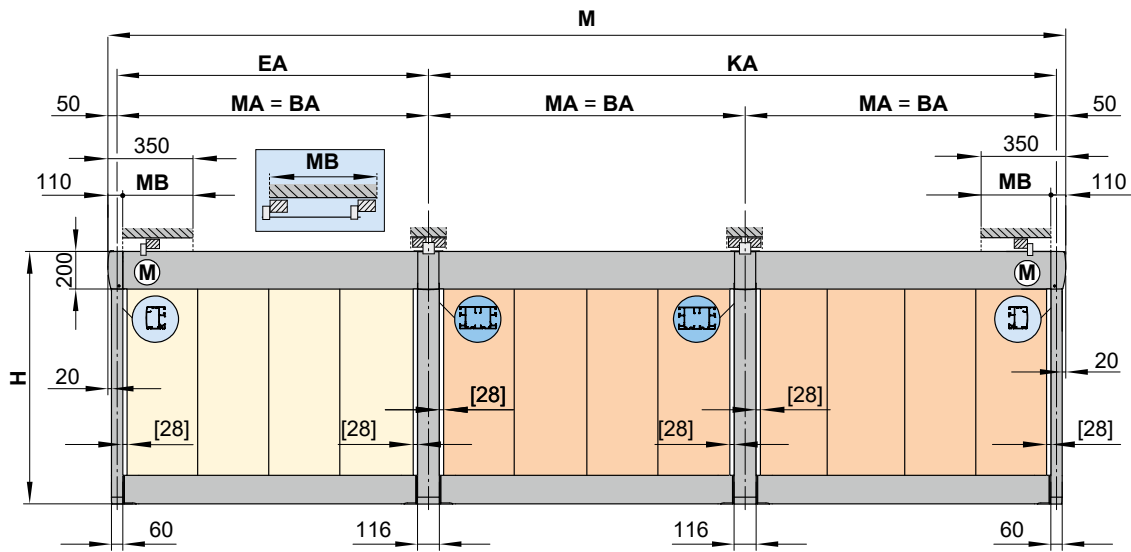
- [...] = dimensions of the cover gap in a standard unit, no cover gap in units with tracfix system
- BA = width between fixture points
- DIF = difference in measurement
- H = **order dimension** = projection
- H1 = projection long

- H2 = projection short
- M = overall blind width =  $MA + 100$  mm
- MA = **order dimension** = awning fixture width = fixture width
- MB = bracket fixture range
- (M) = motor

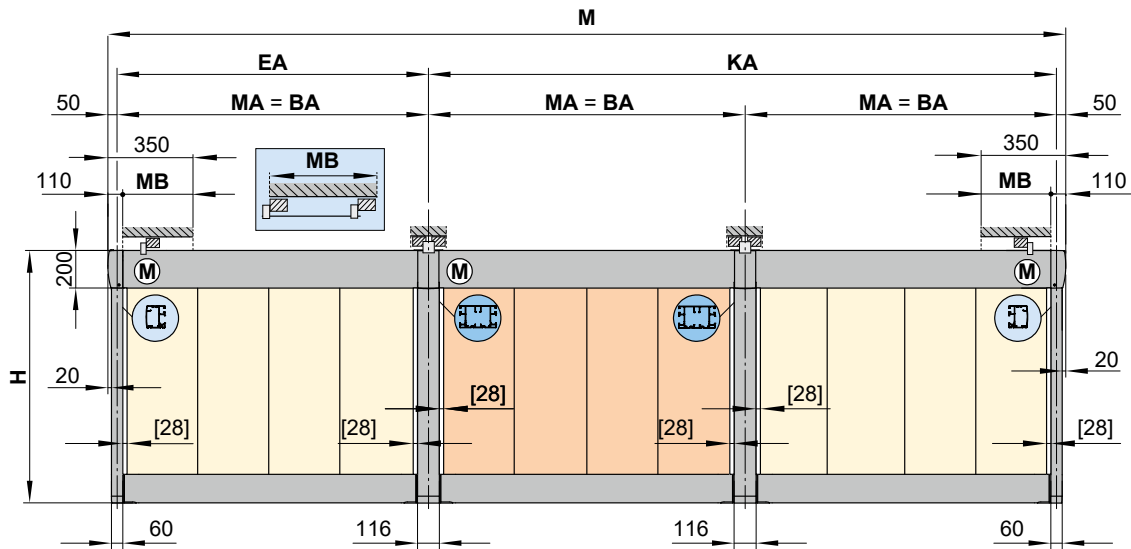
dimensions in mm

01 Overview of dimensions

02 Coupled unit, 3 fields, 2 motors



12 Coupled unit, 3 fields, 3 motors



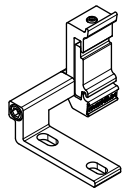
- [...] = dimensions of the cover gap in a standard unit, no cover gap in units with tracfix system
- BA = width between fixture points
- DIF = difference in measurement
- EA = single unit
- H = order dimension = projection

- KA = coupled unit
- M = overall blind width = MA + 100 mm
- MA = order dimension = awning fixture width = fixture width
- MB = bracket fixture range
- Ⓜ = motor

dimensions in mm

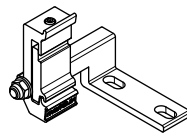
# Dimension overview fixture combination 11

Fixtures, fittings and accessories



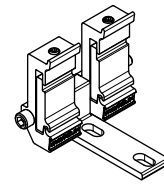
bottom fixture left

60557.



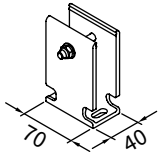
bottom fixture right

60558.



coupling bracket cassette bottom fixture

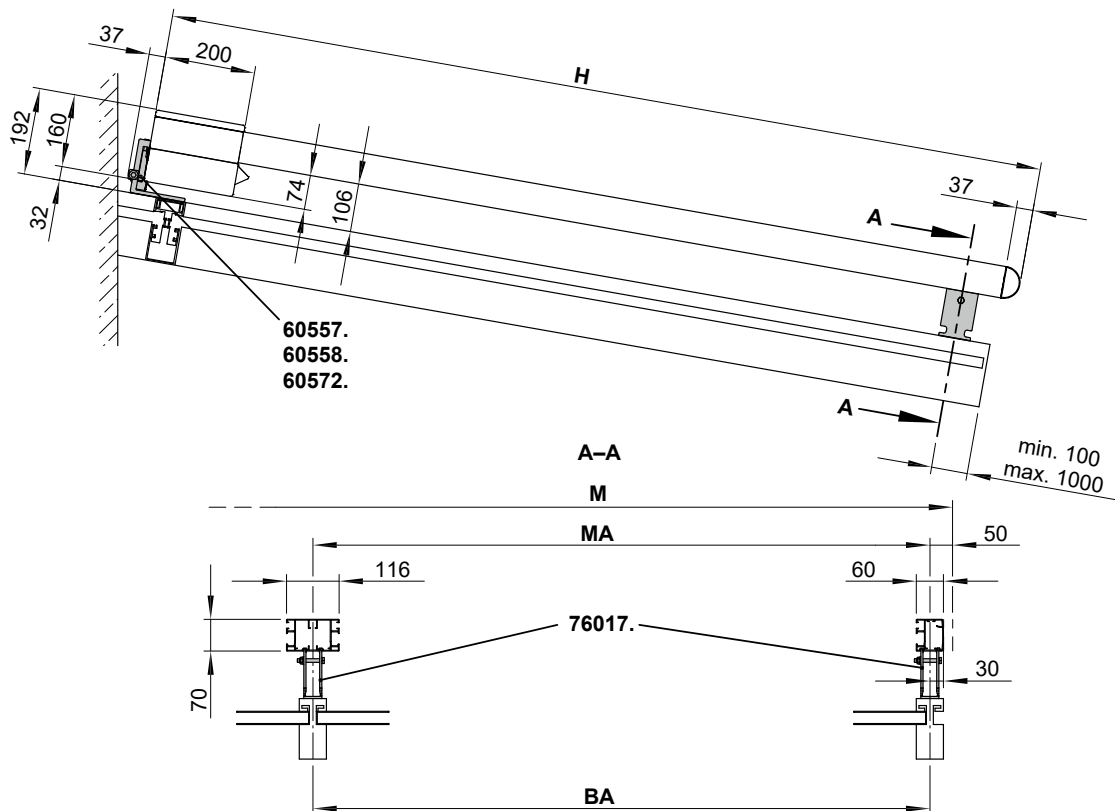
60572.



track bracket for track-only fixture, rigid

100 mm

76017.



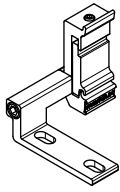
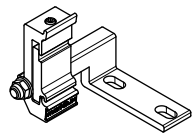
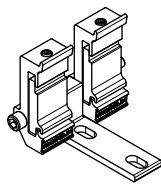
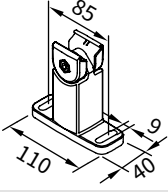
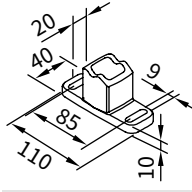
- BA = width between fixture points
- H = **order dimension** = extension
- M = awning width
- MA = **order dimension** = awning fixture width = fixture width

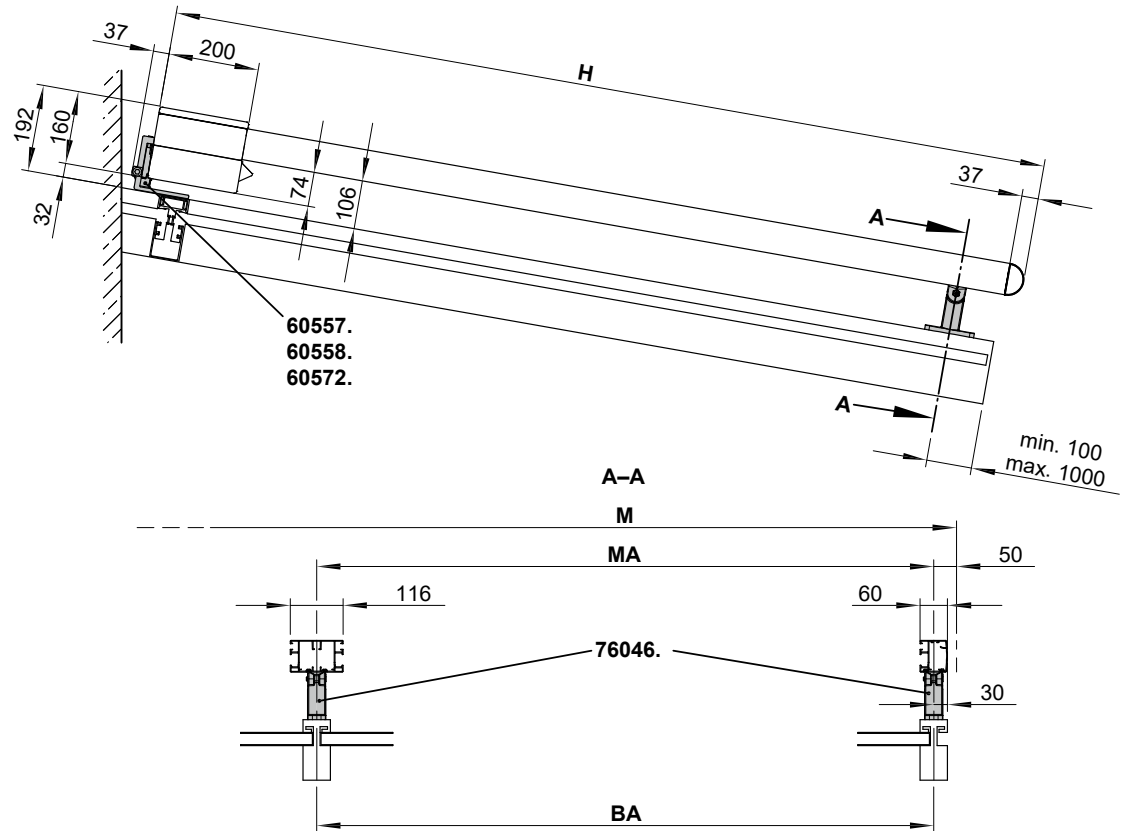
dimensions in mm

01  
02  
03  
04  
05  
06  
07  
08  
09  
10  
11  
**12**  
13  
14  
15  
16  
17  
18  
19

# Dimension overview fixture combination 14

## Fixtures, fittings and accessories

 <p>bottom fixture left</p> <p><b>60557.</b></p>	 <p>bottom fixture right</p> <p><b>60558.</b></p>	 <p>coupling bracket cassette bottom fixture</p> <p><b>60572.</b></p>
 <p>track bracket, with adjustable head</p> <p>100 mm</p> <p><b>76046.</b></p>	 <p>dimensions track bracket with adjustable head</p> <p><b>76002.</b></p>	

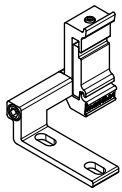


- BA** = width between fixture points
- H** = **order dimension** = extension
- M** = awning width
- MA** = **order dimension** = awning fixture width = fixture width

dimensions in mm

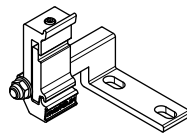
# Dimension overview fixture combination 21

Fixtures, fittings and accessories



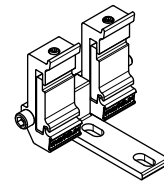
bottom fixture left

60557.



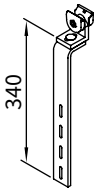
bottom fixture right

60558.



coupling bracket cassette bottom fixture

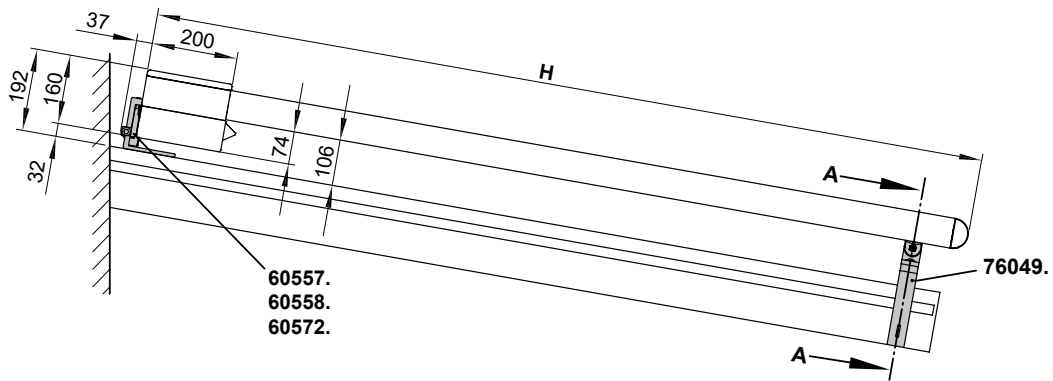
60572.



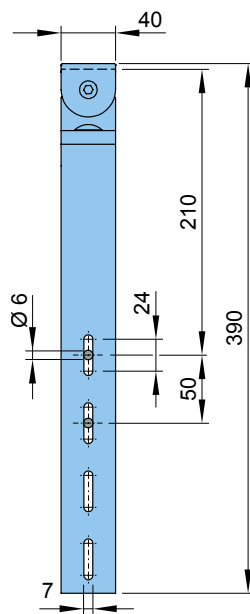
flat track bracket with adjustable head

for lateral guide track fixture

76049.



60557.  
60558.  
60572.



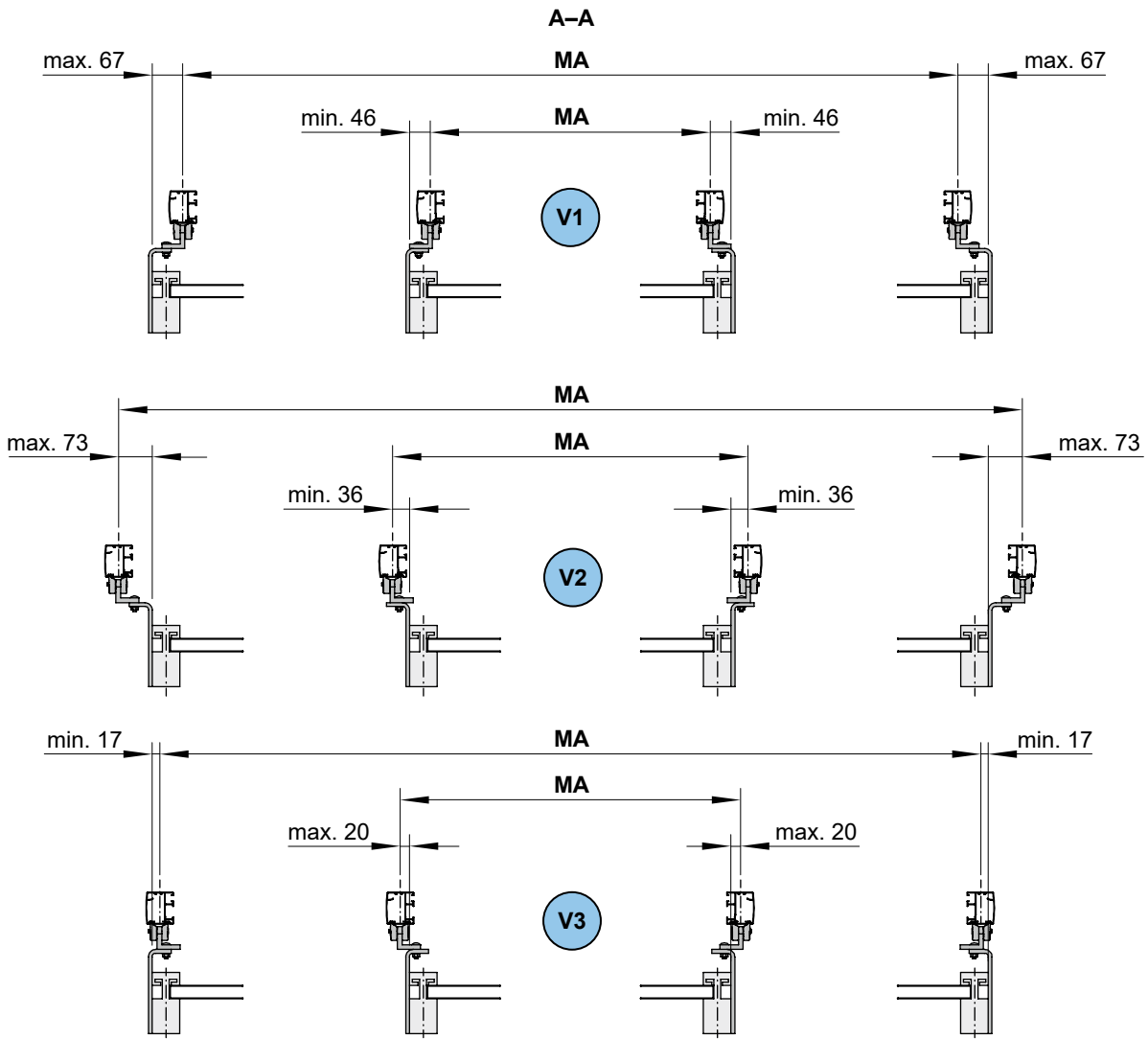
H = order dimension = extension

dimensions in mm

01  
02  
03  
04  
05  
06  
07  
08  
09  
10  
11  
**12**  
13  
14  
15  
16  
17  
18  
19

01 **Dimension overview fixture combination 21**

02 Alternative installation options

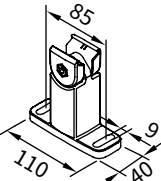
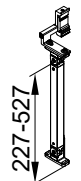




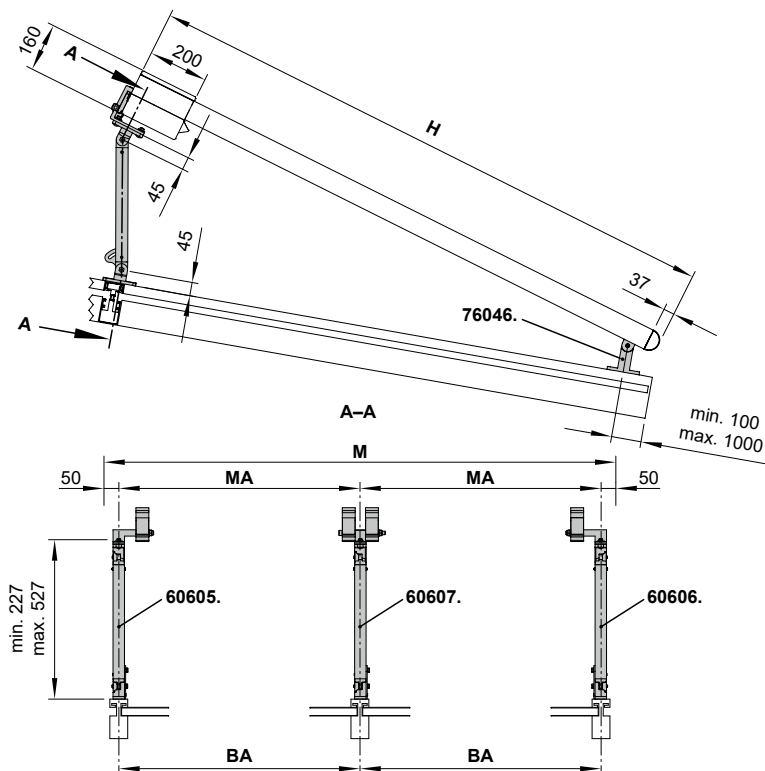
MA = order dimension = blind fixture width = fixture width  
 V1, V1, V3 = variants

dimensions in mm

# Overview of dimensions, fixture type 61 (up to an extension of 400 cm)

## Fixtures, fittings and accessories

 <p>track bracket, with adjustable head</p> <p>100 mm</p> <p>85 110 40 9</p> <p><b>76046.</b></p>	 <p>raised cassette bracket left</p> <p>227-527</p> <p><b>60605.</b></p>	 <p>raised cassette bracket right</p> <p>227-527</p> <p><b>60606.</b></p>
 <p>raised cassette bracket coupling</p> <p>227-527</p> <p><b>60607.</b></p>		



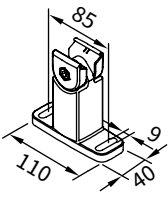
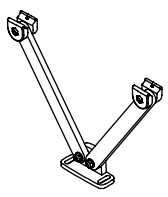
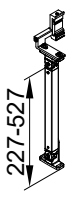
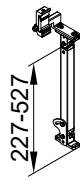
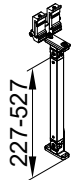
- BA = width between fixture points
- H = **order dimension** = extension
- M = awning width
- MA = **order dimension** = awning fixture width = fixture width

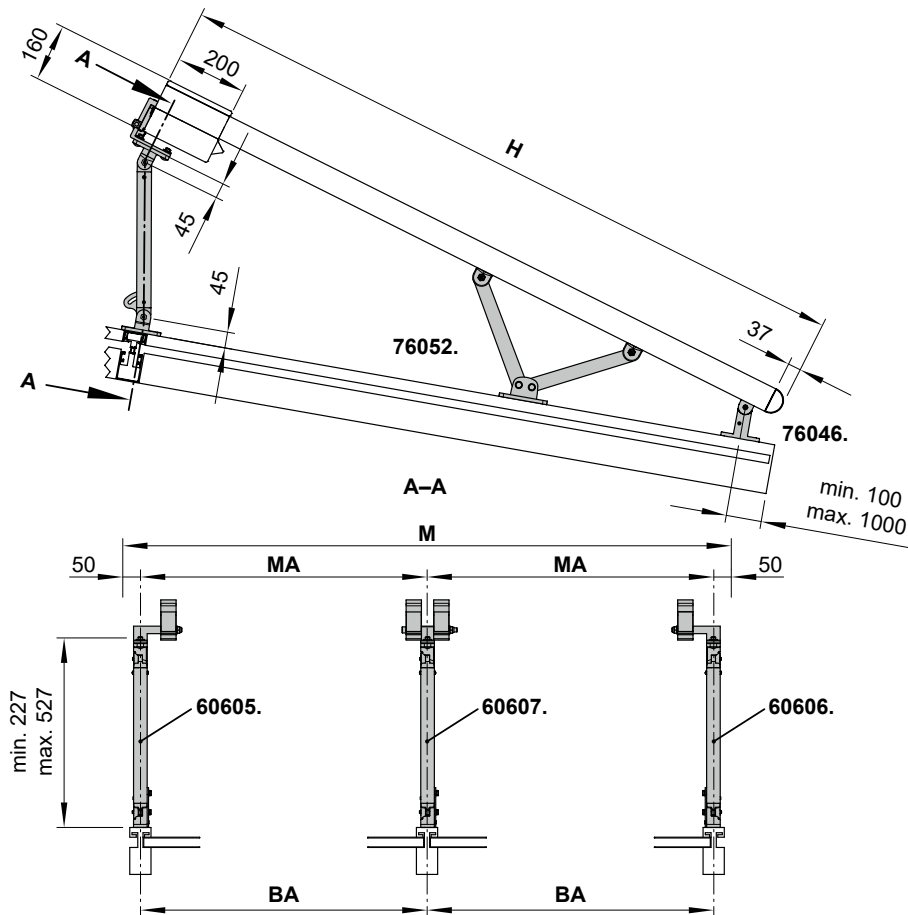
dimensions in mm

01  
02  
03  
04  
05  
06  
07  
08  
09  
10  
11  
**12**  
13  
14  
15  
16  
17  
18  
19

# Overview of dimensions, fixture type 81 (from an extension of 400 cm)

## Fixtures, fittings and accessories

 <p>track bracket, with adjustable head</p> <p>100 mm</p> <p><b>76046.</b></p>	 <p>vario-V bracket for track fixture</p> <p><b>76052.</b></p>	 <p>raised cassette bracket left</p> <p>227-527</p> <p><b>60605.</b></p>
 <p>raised cassette bracket right</p> <p>227-527</p> <p><b>60606.</b></p>	 <p>raised cassette bracket coupling</p> <p>227-527</p> <p><b>60607.</b></p>	

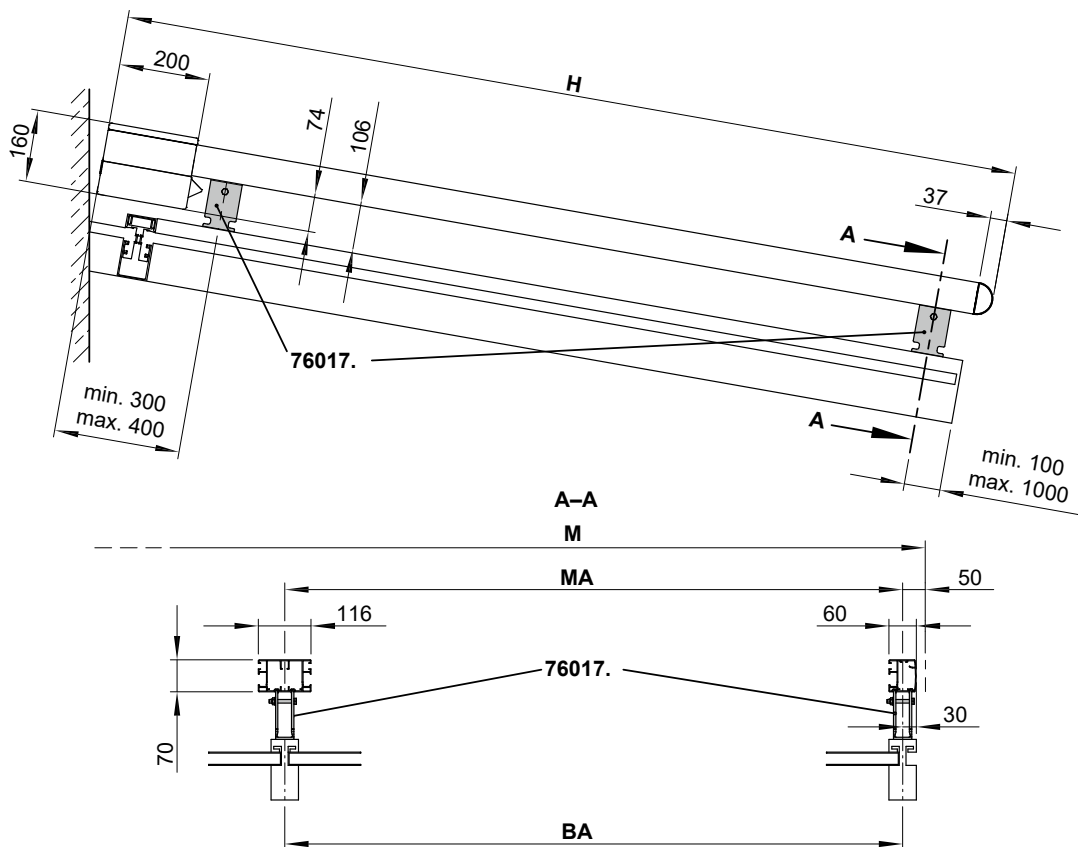
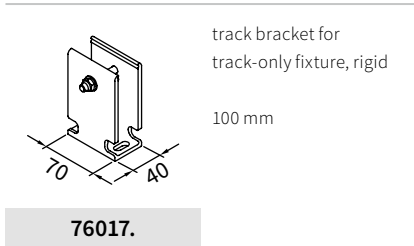


- BA** = width between fixture points
- H** = **order dimension** = extension
- M** = awning width
- MA** = **order dimension** = awning fixture width = fixture width

dimensions in mm

# Dimension overview fixture combination 31

Fixtures, fittings and accessories



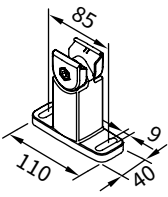
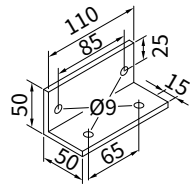
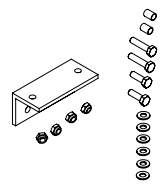
- BA = width between fixture points
- H = **order dimension** = extension
- M = awning width
- MA = **order dimension** = awning fixture width = fixture width

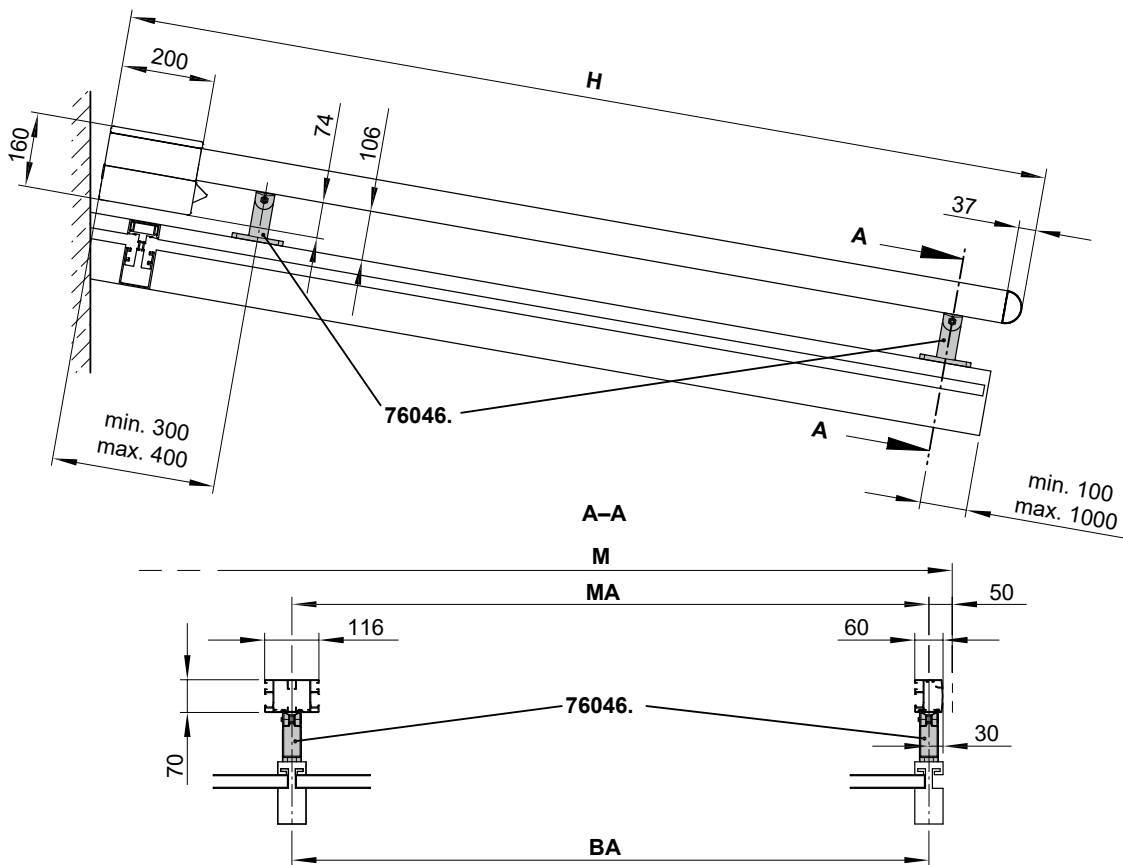
dimensions in mm

01  
02  
03  
04  
05  
06  
07  
08  
09  
10  
11  
**12**  
13  
14  
15  
16  
17  
18  
19

# Dimension overview fixture combination 32

## Fixtures, fittings and accessories

 <p>track bracket, with adjustable head 100 mm</p> <p><b>76046.</b></p>	 <p>angled mounting bracket</p> <p><b>76098.</b></p>	 <p>angled mounting bracket 76098. including coupling bolts</p> <p><b>76099.</b></p>
--	---	---

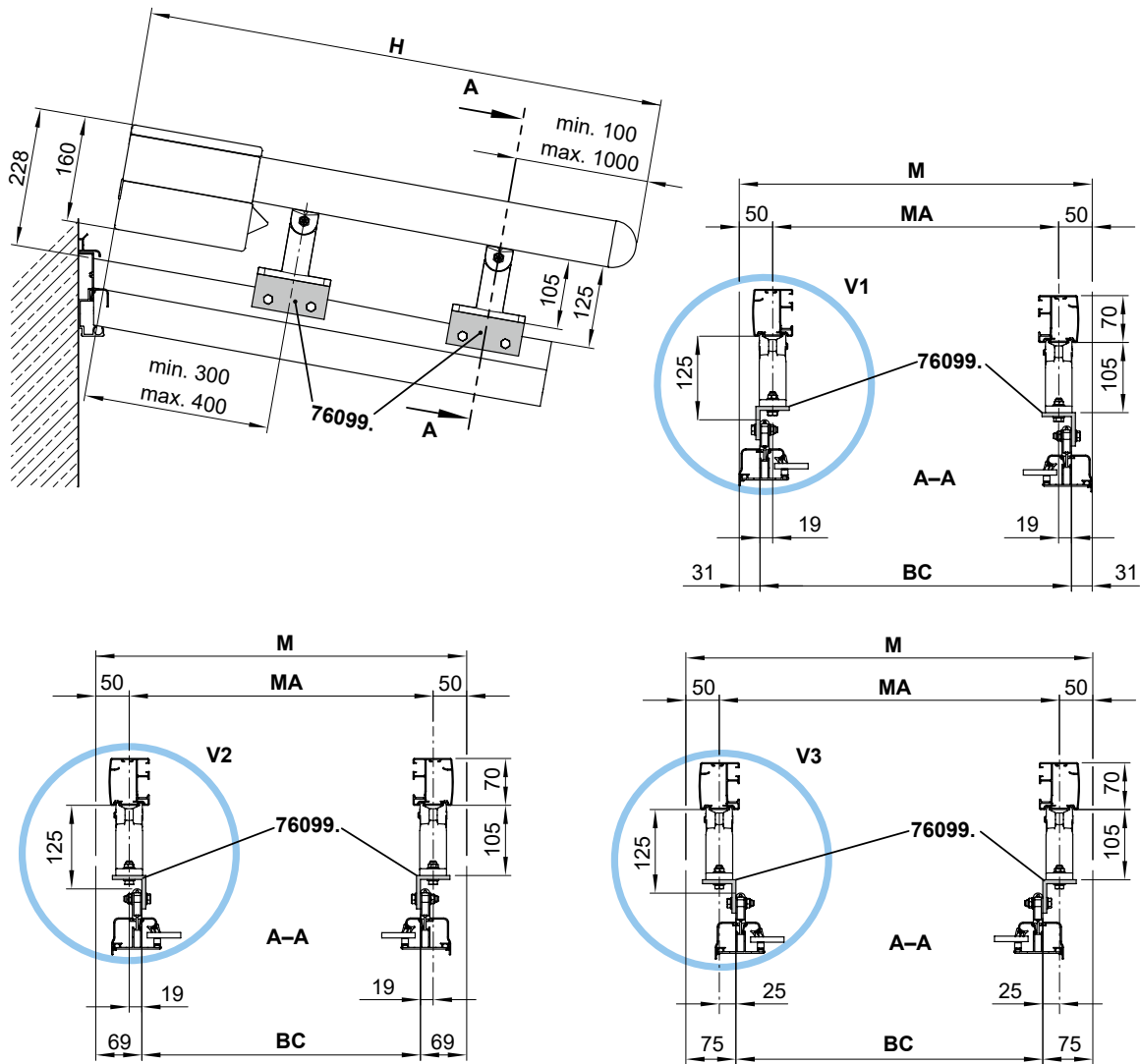


- BA** = width between fixture points
- H** = **order dimension** = extension
- M** = awning width
- MA** = **order dimension** = awning fixture width = fixture width

dimensions in mm

# Dimension overview fixture combination 32

Mullion fixture with angled installation brackets



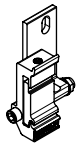
- BC = fixture width
- MA = **order dimension** = blind fixture width = fixture width
- H = **order dimension** = projection
- M = awning width
- V1, V2, V3 = variants

dimensions in mm

01  
02  
03  
04  
05  
06  
07  
08  
09  
10  
11  
**12**  
13  
14  
15  
16  
17  
18  
19

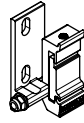
# Overview of dimensions, fixture type 12 (up to an extension of 400 cm)

## Fixtures, fittings and accessories



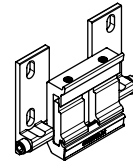
face fixture bracket  
left  
pitch adjustment  
range 0°–35°

60569.



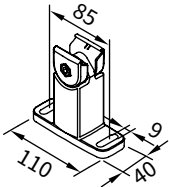
face fixture bracket  
right  
pitch adjustment  
range 0°–35°

60570.



coupling bracket  
cassette wall  
pitch adjustment range  
0°–35°

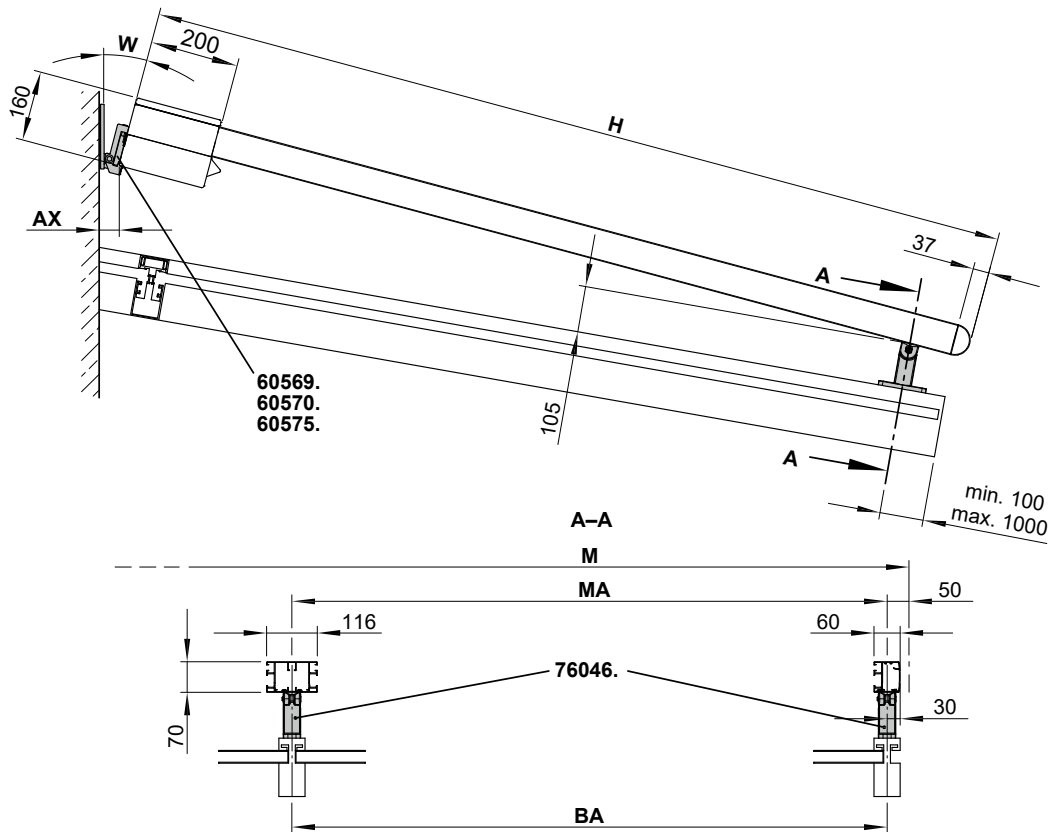
60575.



track bracket, with  
adjustable head

100 mm

76046.



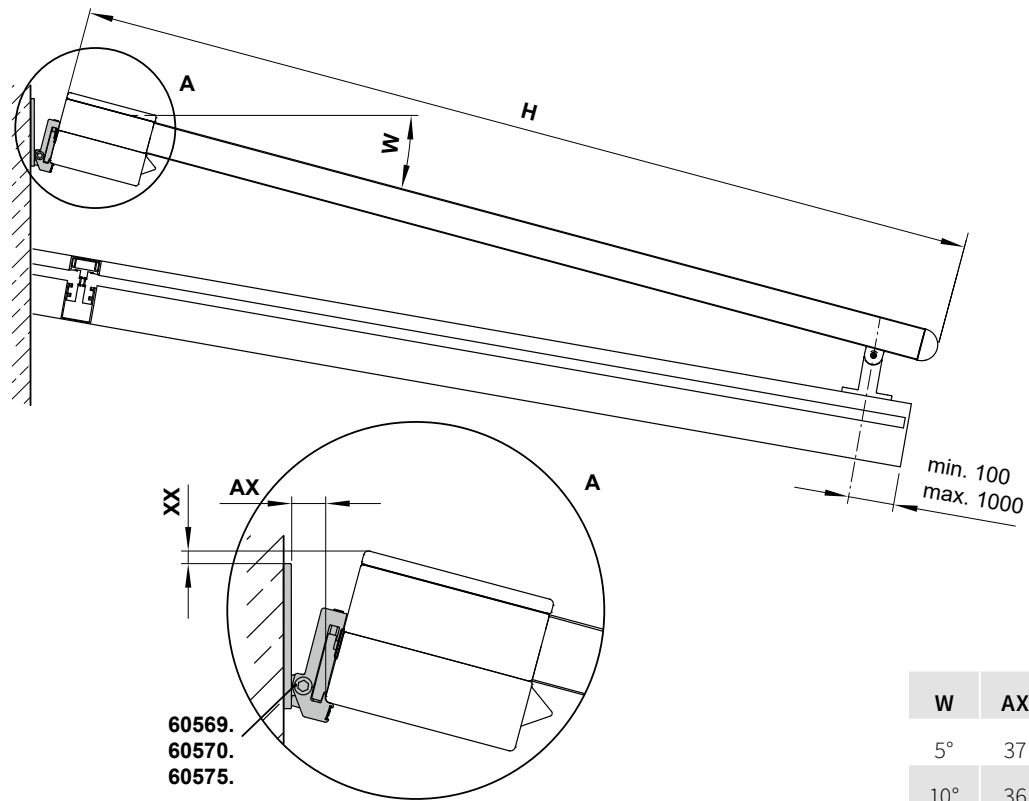
W	AX
5°	37
10°	36
15°	35
20°	34
25°	33
30°	31
35°	30

- AX** = distance from cassette to wall
- BA** = width between fixture points
- H** = **order dimension** = extension
- M** = awning width
- MA** = **order dimension** = awning fixture width = fixture width
- W** = pitch

dimensions in mm

# Overview of dimensions, fixture type 12 (up to an extension of 400 cm)

Face fixture and track brackets with adjustable head



W	AX	XX
5°	37	23
10°	36	19
15°	35	14
20°	34	7
25°	33	0
30°	31	-8
35°	30	-17

01  
02  
03  
04  
05  
06  
07  
08  
09  
10  
11  
12  
13  
14  
15  
16  
17  
18  
19

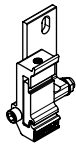
**12**

- AX = distance from cassette to wall
- H = **order dimension** = projection
- W = pitch
- XX = distance upper edge bracket – cassette

dimensions in mm

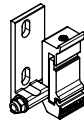
# Overview of dimensions, fixture type 51 (from an extension of 400 cm)

## Fixtures, fittings and accessories



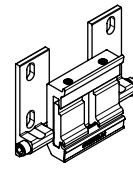
face fixture bracket left  
pitch adjustment range 0°–35°

60569.



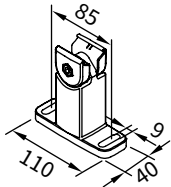
face fixture bracket right  
pitch adjustment range 0°–35°

60570.



coupling bracket cassette wall  
pitch adjustment range 0°–35°

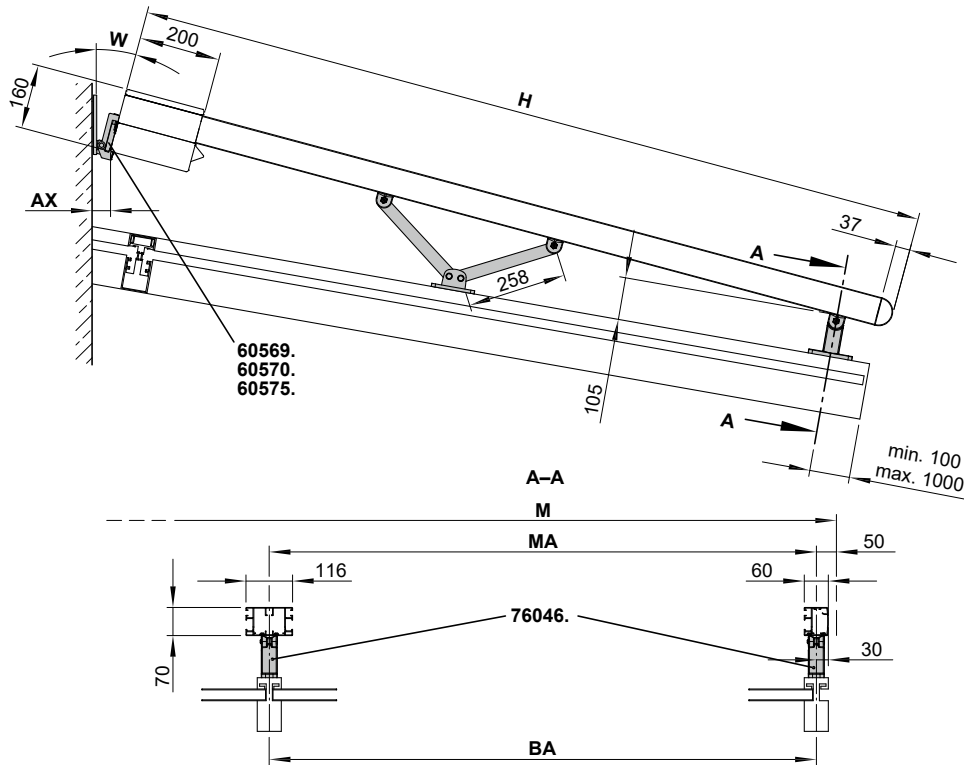
60575.



track bracket, with adjustable head

100 mm

76046.



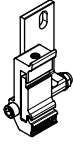
W	AX
5°	37
10°	36
15°	35
20°	34
25°	33
30°	31
35°	30

- AX** = distance from cassette to wall
- BA** = width between fixture points
- H** = **order dimension** = projection
- M** = awning width
- MA** = **order dimension** = awning fixture width = fixture width
- W** = pitch

dimensions in mm

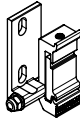
## Dimension overview fixture combination 22

### Fixtures, fittings and accessories



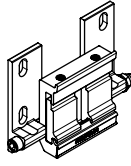
face fixture bracket left  
pitch adjustment range 0°–35°

**60569.**



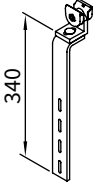
face fixture bracket right  
pitch adjustment range 0°–35°

**60570.**



coupling bracket cassette wall  
pitch adjustment range 0°–35°

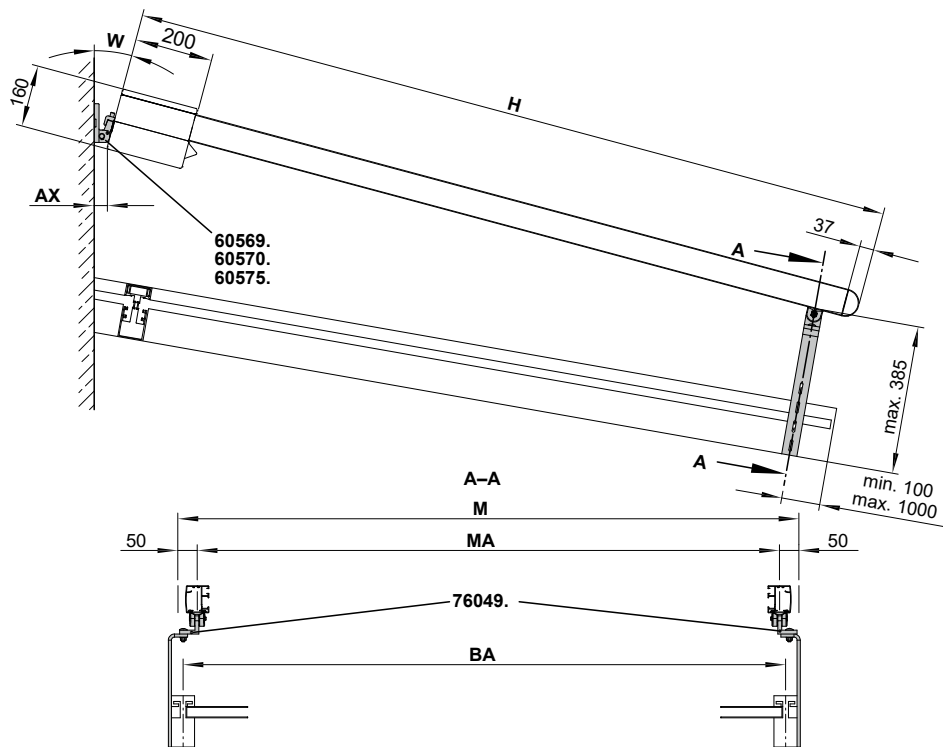
**60575.**



flat track bracket with adjustable head  
for lateral guide track fixture

**76049.**

W	AX
5°	37
10°	36
15°	35
20°	34
25°	33
30°	31
35°	30



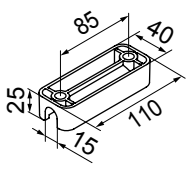
- AX** = distance from cassette to wall
- BA** = width between fixture points
- H** = **order dimension** = extension
- M** = awning width
- MA** = **order dimension** = awning fixture width = fixture width
- W** = pitch

dimensions in mm

01  
02  
03  
04  
05  
06  
07  
08  
09  
10  
11  
**12**  
13  
14  
15  
16  
17  
18  
19

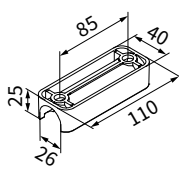
# Dimension overview eaves fixture with additional bracket fitting

Fixtures, fittings and accessories



track bracket accessory  
width 14 mm  
for direct assembly on  
conservatory rafters

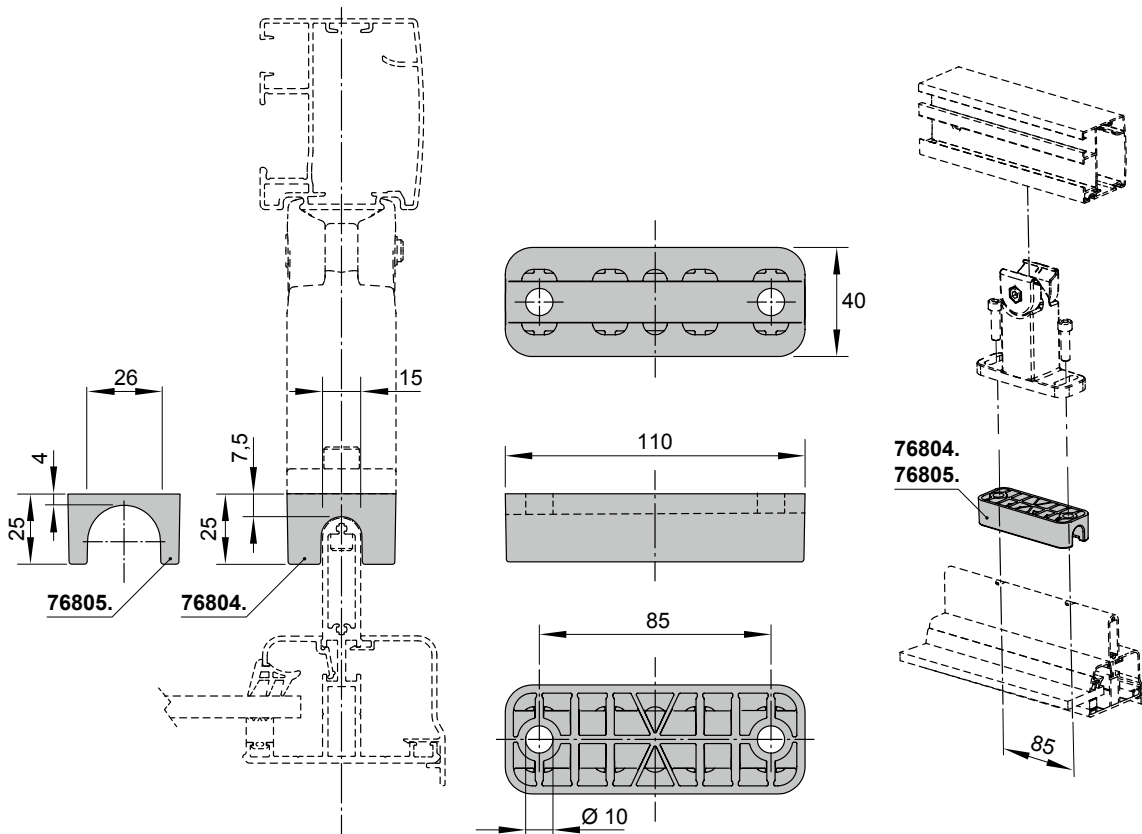
**76804.**



track bracket accessory  
width 25 mm  
for direct assembly on  
conservatory rafters

**76805.**

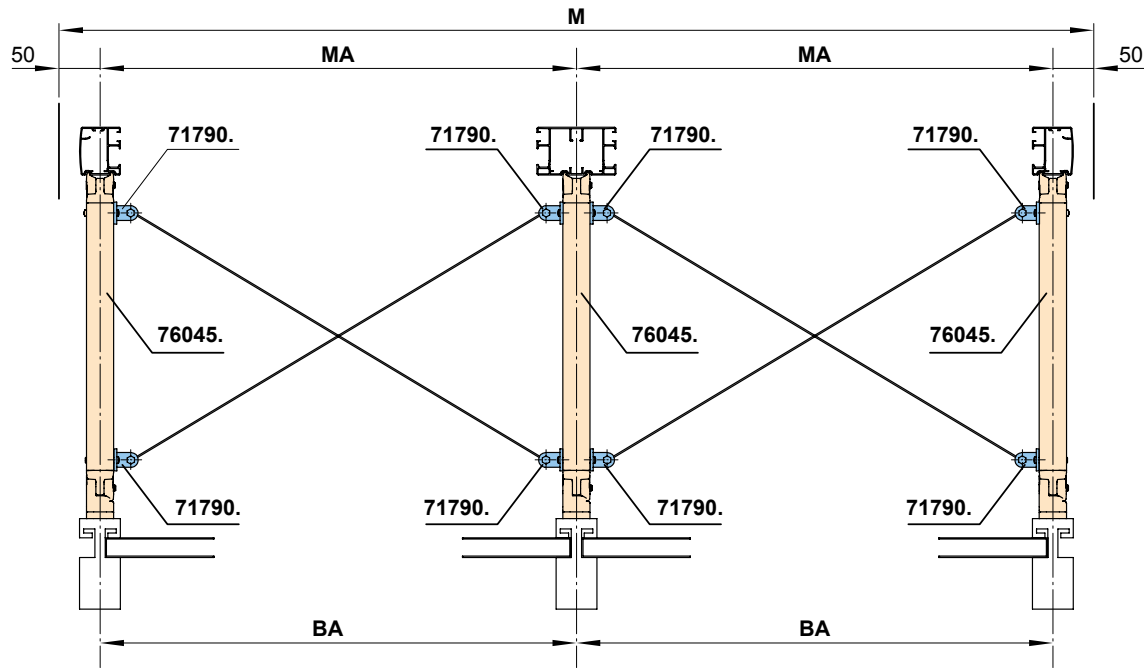
**12**



dimensions in mm

# Overview of dimensions

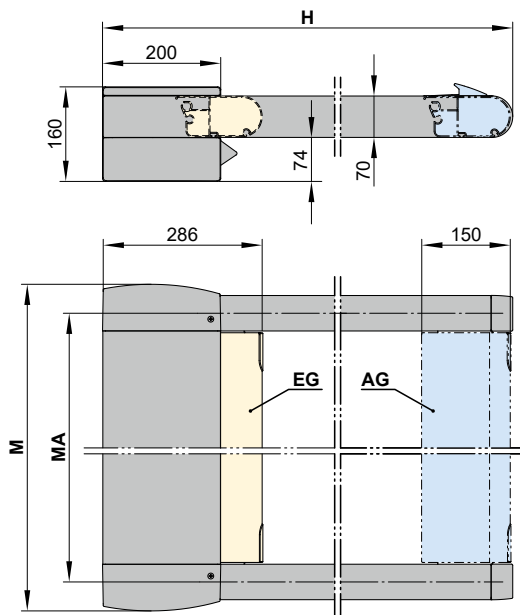
Diagonal tensioning kit for raised bottom fixture



01  
02  
03  
04  
05  
06  
07  
08  
09  
10  
11

**12**

Distance from the back of the cassette to the leading edge of the front profile



13  
14  
15  
16  
17  
18  
19

- AG = extended
- BA = width between fixture points
- MA = **order dimension** = awning fixture width = fixture width
- EG = retracted
- H = **order dimension** = extension
- M = awning width
- 71790. = diagonal tensioning kit
- 76045. = track bracket, with adjustable head and foot

dimensions in mm

01 **Overview of dimensions, support to prevent deflection**

02 Support to prevent deflection of the cover support tube, 100 mm

03

04

05

06

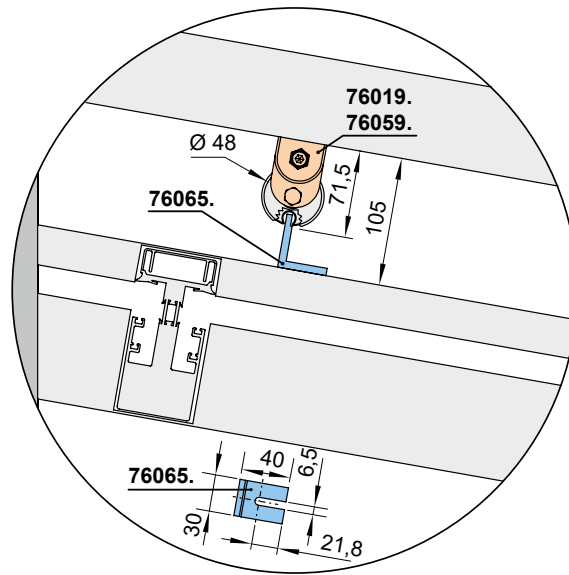
07

08

09

10

11



Support to prevent deflection of the cover support tube, can be shortened on site, height range 70–320 mm

**12**

13

14

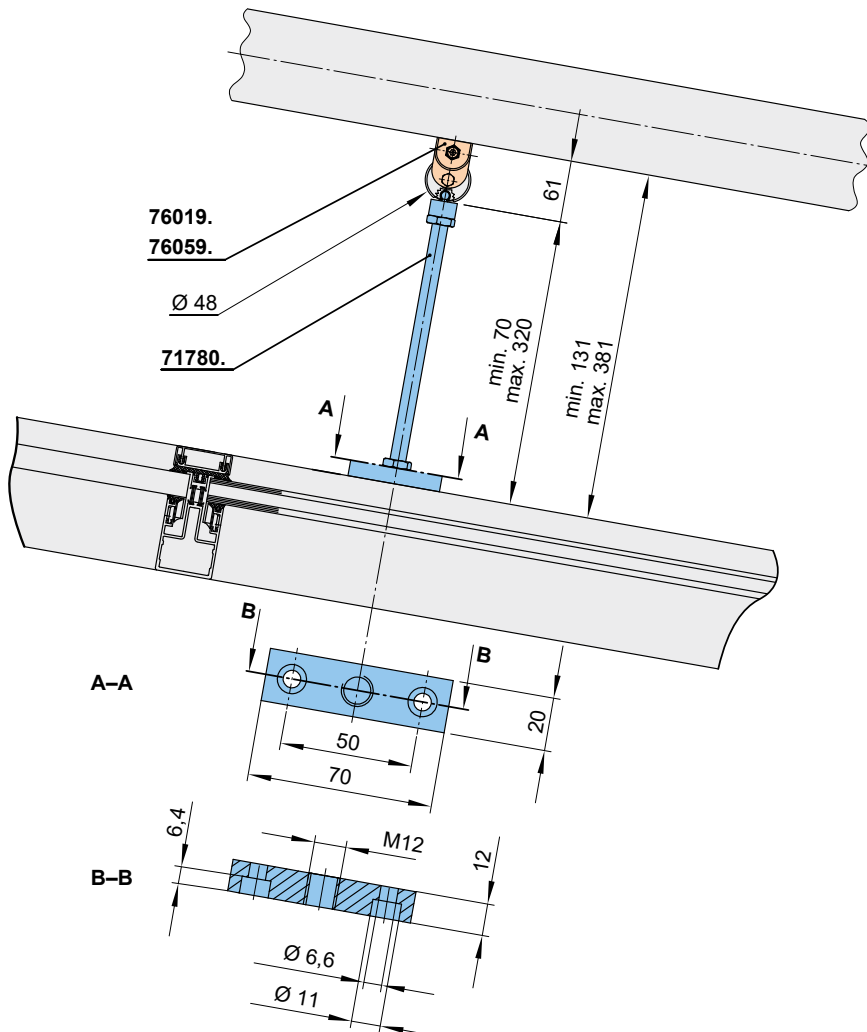
15

16

17

18

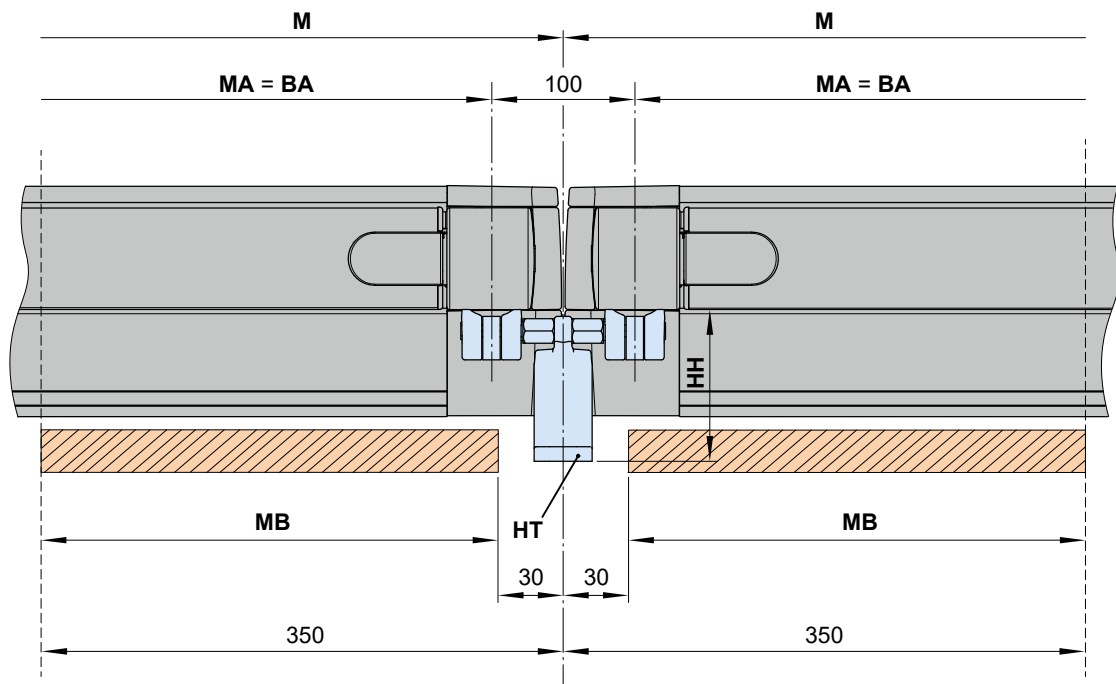
19



- 71780. = bracket to prevent deflection of the cover support tube
- 76019. = bracket for cover support tube
- 76059. = coupling bracket for cover support tube
- 76065. = angled support bracket

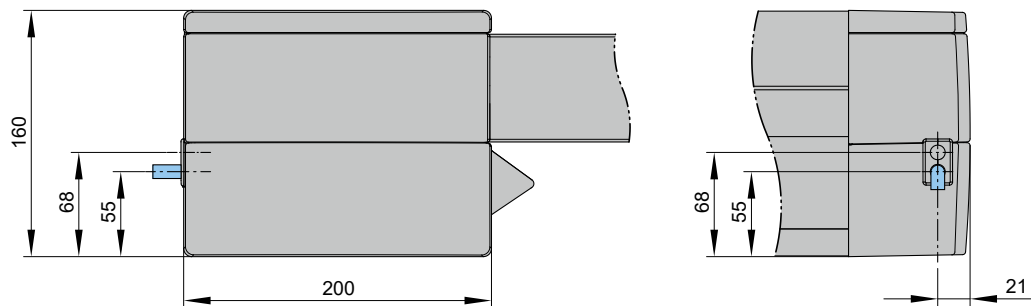
dimensions in mm

## Overview of dimensions, double track bracket for single units



HT	76191.	76192.	76193.	76194.
HH	105	145	145-505	205-505

### Motor cable exit point <sup>1)</sup>



1) depending on the operation side, left or right

- BA** = width between fixture points
- HH** = bracket height
- HT** = bracket
- M** = awning width
- MA** = **order dimension** = awning fixture width = fixture width
- MB** = bracket fixture range

- 76191.** = double track bracket 100 mm
  - 76192.** = double track bracket 140 mm
  - 76193.** = double track bracket 140-500 mm
  - 76194.** = double track bracket 200-500 mm
- dimensions in mm

01

02

03

04

05

06

07

08

09

10

11

**12**

13

14

15

16

17

18

19