



Pergola awning

## markilux pergola classic

Exceptional sun and wet weather protection for large areas.



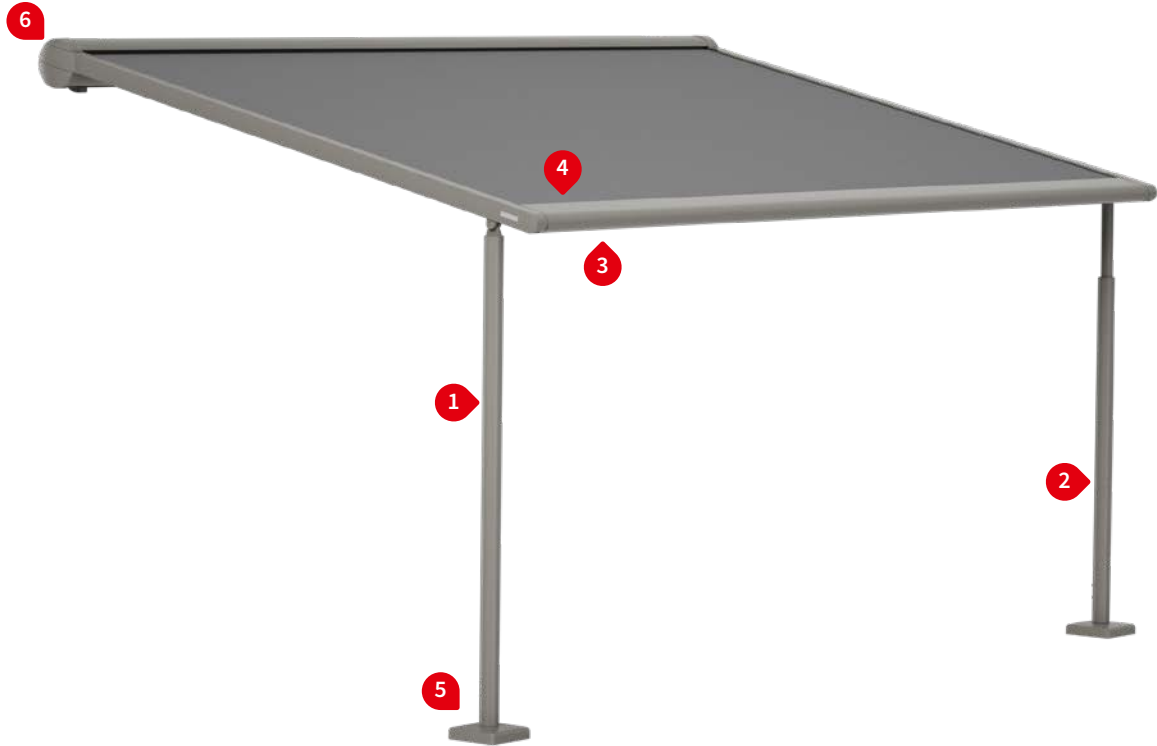
[markilux.com](http://markilux.com)

**markilux**  
safe timeless beautiful

**01 Product Characteristics**

Wind resistance class 3  
Beaufort 6 → 38–48 km/h → 10.5–13.4 m/s → 24–30 mph

02  
03  
04  
05  
06  
07  
08  
09  
10  
11  
12  
13



**1** manufacture with square or round posts



**2** adjustable post <sup>1)</sup> manual or motor-driven



**3** shadeplus, during extension <sup>1)</sup>



**4** solar module sundrive, radio-controlled drop valance operation <sup>1)</sup>



**5** LED-Line fitted to the guide track and cover support tube <sup>1)</sup>



**6** combination of LED-Line and LED-Spots <sup>1)</sup>



**7** support post with stabilisation box <sup>1)</sup>



**8** footplate cover standard



**9** wall sealing profile <sup>1)</sup>



<sup>1)</sup> Optional accessories

## Product Characteristics

01

### Description

- the awning system on slender posts and with lateral guide tracks provides generous shade with an extension of up to 6 metres and for areas up to 30 m<sup>2</sup> with a single unit. Thanks to the tracfix cover guidance system, the sophisticated tensioning technology and its sturdy construction, the system can be used up to Beaufort 6 (wind resistance class 3)

02

03

### Special features

- fully encompassing cassette that protects the cover perfectly
- tried and tested tensioning system with drive belts and integrated gas pistons – delivers optimum cover tension – in any phase of extension
- with tracfix system, the continuous lateral cover guidance system that leaves no gap between the cover and guide tracks
- option of shadeplus – vertical protection against low-lying sun, wind and inquisitive glances integrated into the front profile, can be operated manually or solar driven by radio remote control (433 MHz)
- various lighting combinations available: light strip LED Line in the guide tracks, LED Line in the cover support tube or LED-Spots fitted to the cover support tube – individually configurable lighting options providing a pleasant atmosphere in the evening
- an optional telescopic post, manual or motor operation, ensures optimised water drainage during rain, even at a low minimum pitch of 7°
- support posts optionally with round or square shaped profiles, incl. screw-on footplates or stabilisation boxes for flexible installation
- can be combined perfectly with the awning systems markilux syncra, vertical blinds markilux 876 tracfix, markilux 776 tracfix, side screen markilux 790

04

05

06

07

08

09

10

11

### Dimensions

- single unit: 72,5–600 cm in width, maximum projection 600 cm (depending on the width)
- maximum dimensions width × extension: 500 × 600 cm / 550 × 500 cm / 600 × 450 cm
- coupled units up to 5 fields wide are available
- intermediate sizes are available

12

13

### roller tube and lateral bearings

- round roller tube Ø 95 mm with keyway, galvanised steel – excellent stability, ensures near perfect cover performance even at the largest widths
- the roller tube bearing is made of die-cast aluminium

### Awning profiles

- extruded aluminium, in façade quality, powder coated
- cassette profile in two pieces, round, Ø 187 mm
- angular guide tracks, width × height 60 mm × 70 mm (coupling guide track 116 × 70 mm)
- front profile rounded at the front, depth × height 150 mm × 70 mm

### End caps

- the cassette end caps with opening for guide tracks are made of die-cast aluminium, powder coated
- the top maintenance cover is made of high-quality plastic, powder coated
- the front profile end caps are made of high-quality plastic, powder coated

### Fixture brackets and support posts

- extruded aluminium, powder coated
- cassette brackets: face fixture, top fixture, eaves fixture
- support post round Ø 70 mm or square 70 × 70 mm, standard height 250 cm, heights up to 300 cm are available
- screw-on footplate 200 × 200 mm
- footplate cover 212 × 212 mm in one piece, height 48 mm, is made of die-cast aluminium, rounded corners
- a version of the support posts with optional stabilisation box 600 × 600 mm, height 525 mm, for versatile installation is available

**N.B!** For additional information and configuration options, please view chapter “General Information” and “markilux Optional Accessories” in the volume “Designer Awnings for Conservatories, Glass Canopies and Windows”.

**01** Frame colours

markilux frame colours without surcharge

02  
03  
04  
05  
06  
07  
08  
09  
10  
11  
12  
13

traffic white, RAL 9016



metallic aluminium, RAL 9006



grey brown, similar to RAL 8019



off-white textured finish, 5233 <sup>1)</sup>



stone grey metallic, 5215 <sup>1)</sup>



anthracite metallic, 5204 <sup>1)</sup>



havana brown textured finish, 5229 <sup>1)</sup>



**Non-standard powder-coated finish**

Bespoke frame colours incur a surcharge – matt, metallic, finely textured and pearl finishes as well as other colour ranges (DB, Tiger etc.) on request. All frame colours are available at a surcharge with enhanced corrosion protection.

Colours may differ slightly from those depicted in both hue and finish.

<sup>1)</sup> textured finish

# Dimensions and configuration options

Single unit

		Awning fixture width									Minimum fixture width		
		150 <sup>1)</sup>	200 <sup>1)</sup>	250	300	350	400	450	500	550	600	Hard-wired motor	Radio-controlled motor
Order dimensions		73 <sup>2)</sup>	151	201	251	301	351	401	451	501	551		
Overall Awning width		150	200	250	300	350	400	450	500	550	600		
		+ 10											
H	150 <sup>1)</sup>											73 <sup>2)</sup>	83 <sup>2)</sup>
	200												
	250												
	300												
	350												
	400												
	450												
	500												
	550												
	600												

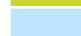
dimensions in cm


1) = only pergola with fixed posts

2) = 94 cm for drop valance with sundrive solar panel

H = order dimension = extension

 = optionally available with 20 cm telescopic post

 = optionally available with 30 cm telescopic post

 = optionally available with 40 cm telescopic post

### The minimum pitch that will ensure water drainage

extension ≤ 250 cm    extension ≥ 251 ≤ 350 cm    extension ≥ 351 ≤ 450 cm    extension ≥ 451 cm

Unit with fixed posts, without shadeplus	14°	14°	14°	14°
Unit with fixed posts, with shadeplus	17°	17°	17°	17°
Unit with telescopic post, without / with shadeplus	7°	8°	9°	10°

Operation	standard	optional
crank handle	—	—
hard-wired motor	✓	—
silentec motor (optionally with an external io / RTS receiver)	—	✓
radio-controlled motor io, 868 MHz	—	✓
radio-controlled motor RTS, 433 MHz	—	✓

1) Only available for awnings with 1 field and 2 fields, 2 motors

Awning cover	fabric pattern no.	standard	optional
sunvas <sup>1) 5)</sup>	300..–315..	✓	—
sunsilk <sup>1) 5)</sup>	324.. / 325.. / 328.. / 369..	✓	—
sunbow <sup>1) 5)</sup>	411..–427..	✓	—
smart art <sup>1)</sup>	340..	—	✓
perla FR <sup>1)</sup>	371.. / 372..	—	✓
perfotex <sup>2)</sup>	331.. / 332..	✓	—
transolair <sup>3)</sup>	338..	—	✓
transolair (120 cm)	339..	—	✓
Soltis Perform 92 <sup>4)</sup>	92–20..	—	✓
Serge 600	272..	—	—

Standard fabric panel widths

1) 60 cm      2) 120 cm      3) 84 cm

4) 88,5 cm

5) In the case of striped patterns, a symmetrical pattern repeat at every second seam is not possible.

### Coupled awnings

2–5 fields, 1 motor per field
alternatively 2 fields 1 motor / 3 fields 2 motors / 4 fields 2 motors
maximum size per field: see “single unit” dimensions

### General notes

Different field extensions are available in a coupled awning. The rolling up behaviour of the covers may vary in coupled awnings that have different field sizes. This does not effect the functionality of the awning or shorten the service life of the covers.

The option of having telescopic posts in awnings with 3–5 fields is only available on request.

### Drop valance<sup>1) 2)</sup>      standard      optional

height 230 cm (crank handle, depending on the fabric series chosen)		
height 230 cm (motor operation, depending on the fabric series chosen)		
crank handle	✓	—
hard-wired motor	—	—
radio-controlled motor io, 868 MHz	—	—
radio-controlled motor, 433 MHz, RTS with sundrive	—	✓
fabric pattern sunvas / sunsilk / sunbow / transolair / Soltis Perform 92		

1) Shadeplus cover is narrower than the awning cover

2) In the case of coupled awnings, available for all fields only

**01 Optional accessories**

adjustable posts, manual or motor-driven
posts with stabilisation boxes
shadeplus, radio remote control with solar module sundrive or manual
LED-Line in the guide tracks on both sides
LED-Line in the cover support tube <sup>1)</sup>
LED-Spots in the cover support tube <sup>1)</sup>
infrared heater 2500 W
infrared heater 2500 W with integrated radio-controlled receiver 868 MHz Funk io
wall sealing profile
several motors in a coupled awning, can be operated independently
vertical cassette blind markilux 776 tracfix
automatic controls (light, wind, rain)

Important background information can be found in the chapter "Optional Accessories" in the sales manual "Designer Awnings for Conservatories, Glass Canopies and Windows"

**1)** LED-Line and LED-Spots cannot be combined with one another

**markilux shadeplus****Tips for selecting a shadeplus fabric**

Ideally, a shadeplus cover should be made **seamlessly** or with horizontal panels (the cover then has a **horizontal seam**) in order to achieve the best result.

Seamless fabric qualities are: sunvas oversized material and transolair series 338.. Fabric qualities with a horizontal seam are: plain fabrics from the sunsilk, sunvas, sunbow collections and transolair series 339.. as well as from the Soltis Perform 92 series.

Owing to the small winding diameter, the rolling up characteristics and the resulting visual appearance of the cover, shadeplus covers made with vertical seams are not recommended.

**Shadeplus / drop valance with radio-controlled motor RTS <sup>2) 3)</sup>**

Shadeplus fabric	fabric pattern no.	standard	optional	awning fixture width	height	tailored cloth
sunvas	301.. / 309..-315..	✓	—	≤ 600 ≤ 600	160 230	LN QN
sunsilk	324.. / 325.. / 328.. / 369..	✓	—	≤ 600 ≤ 600	160 230	LN QN
sunbow	411..-427..	✓	—	≤ 600 ≤ 600	100 210	LN QN
sunvas (250 cm)	31008, -09, -13, -16, -18, -25, 27, -28, -31, -36, -37, -57, -58, 31109, -14, -17	✓	—	≤ 600	230	N
smart art	340..	—	—			
perla FR	371.. / 372..	—	—			
perfotex	331.. / 332..	—	—			
transolair	338..	—	✓	≤ 600	230	N
transolair (120 cm)	339..	—	✓	≤ 600	230	QN
Soltis Perform 92	92-20..	—	✓	≤ 490	230	QN
Serge 600	272..	—	—			

**2)** 433 MHz radio-controlled RTS motor powered by a sundrive solar panel, minimum fixture width 94 cm

**3)** Only available in plain seamless fabrics (oversized, fabric width > 120 cm) or in plains with a horizontal joint (fabric width 120 cm) Uni-fabric pattern recommended.

**N** = seamless

**LN** = vertical panel joints, panel width approx. 60 cm

**QN** = horizontal panel joint(s)

dimensions in cm

# Dimensions and configuration options

01

Coupled unit, 2 fields

		Awning fixture width						
		600 <sup>1)</sup>	700 <sup>1)</sup>	800	900	1000	1100	1200
<b>Order dimensions</b>		551	601	701	801	901	1001	1101
		600	700	800	900	1000	1100	1200
<b>Overall Awning width</b>		+ 10	+ 10	+ 10	+ 10	+ 10	+ 10	+ 10
<b>H</b>	150							
	200							
	250							
	300							
	350							
	400							
	450							
	500							—
	550						—	—
	600						—	—

02

03

04

05

06

07

08

09

10

11

Coupled unit, 3 fields

		Awning fixture width												
		600 <sup>1)</sup>	700 <sup>1)</sup>	800	900	1000	1100	1200	1300	1400	1500	1600	1700	1800
<b>Order dimensions</b>		551	601	701	801	901	1001	1101	1201	1301	1401	1501	1601	1701
		600	700	800	900	1000	1100	1200	1300	1400	1500	1600	1700	1800
<b>Overall Awning width</b>		+ 10	+ 10	+ 10	+ 10	+ 10	+ 10	+ 10	+ 10	+ 10	+ 10	+ 10	+ 10	+ 10
<b>H</b>	150													
	200													
	250													
	300													
	350													
	400													
	450													
	500												—	—
	550											—	—	—
	600											—	—	—

12

13

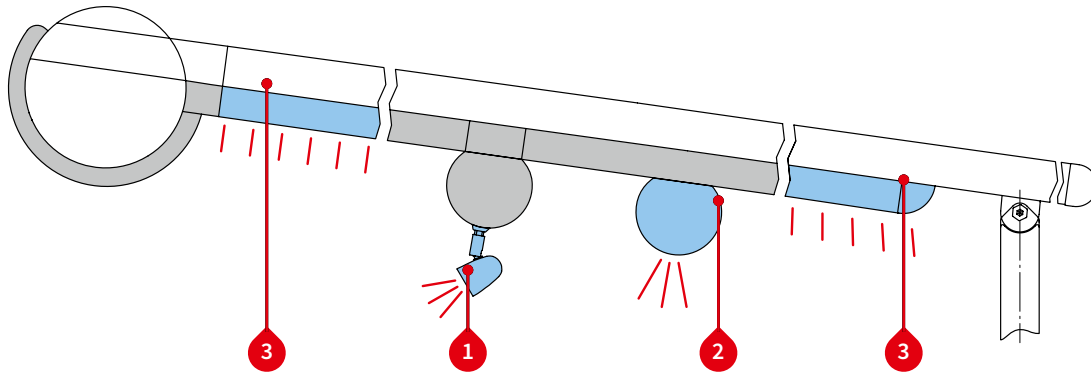
**N.B.:** The option of having telescopic posts in awnings with 3–5 fields is only available on request.

1) = the cassette will be supplied in one piece as standard. If, for transportation or installation reasons, the cassette needs to be split, please note this explicitly when ordering.

H = **order dimension** = extension

dimensions in cm

# 01 Lighting options



### Lighting options

- 1) LED-Spots attached to the lighting bar <sup>1)</sup>
- 2) LED-Line in the lighting bar <sup>1)</sup>
- 3) LED-Line in the guide tracks on both sides

### Controls

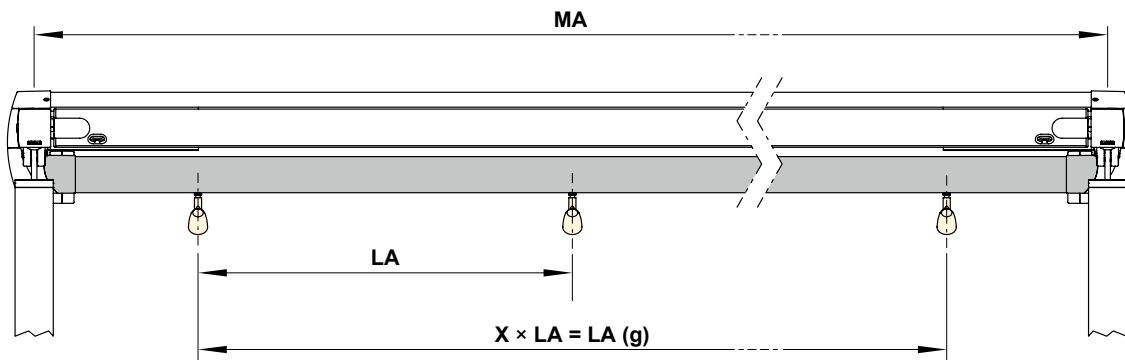
	standard	optional
on/off switch	—	✓
radio-controlled dimmer io 868 MHz	✓	—
radio-controlled dimmer RTS 433 MHz	—	✓

For combination possibilities please view section "Dimension overview lighting options"

1) LED-Line and LED-Spots cannot be combined with one another

## Distribution of the LED-Spots

### 1) LED-Spots in the cover support tube



Awning fixture width	No. of spots	LA	LA (g)
150–250	3	65	130
251–300	3	98	196
301–350	3	98	196
351–400	4	98	294
401–450	4	98	294
451–500	5	98	392
501–550	5	98	392
551–600	6	98	490

dimensions in cm

LA (g) = distance between the spots (total)  
 MA = order dimension = blind fixture width = fixture width

**1** LED-Spots attached to the light bar**Technical specification**

operating voltage	230 V, 50 Hz
power output of one LED spotlight	5 W
light source	LED (12 V)
number of transformers	1 unit
light temperature	warm white
IP protection class	IP 44
service life	approx. 20.000 h

02

03

04

05

06

07

08

09

**2** including **3** LED-Line im Tuchstützrohr und in den Führungsschienen**Technical specification**

operating voltage	230 V, 50 Hz
power output per metre	10 W / m
light source	LED (12 V)
number of LEDs	120 units / m
number of transformers	1 unit
light temperature	warm white
IP protection class	IP 44
service life	approx. 15.000 h

10

11

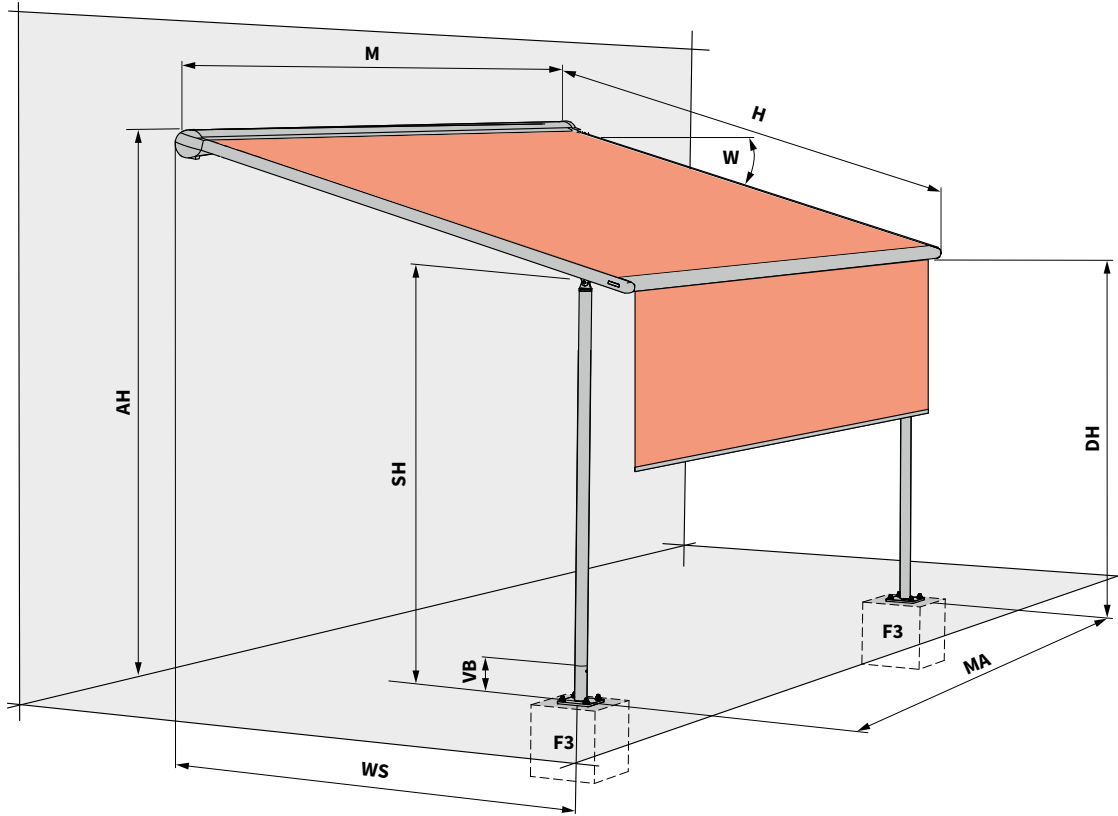
12

13

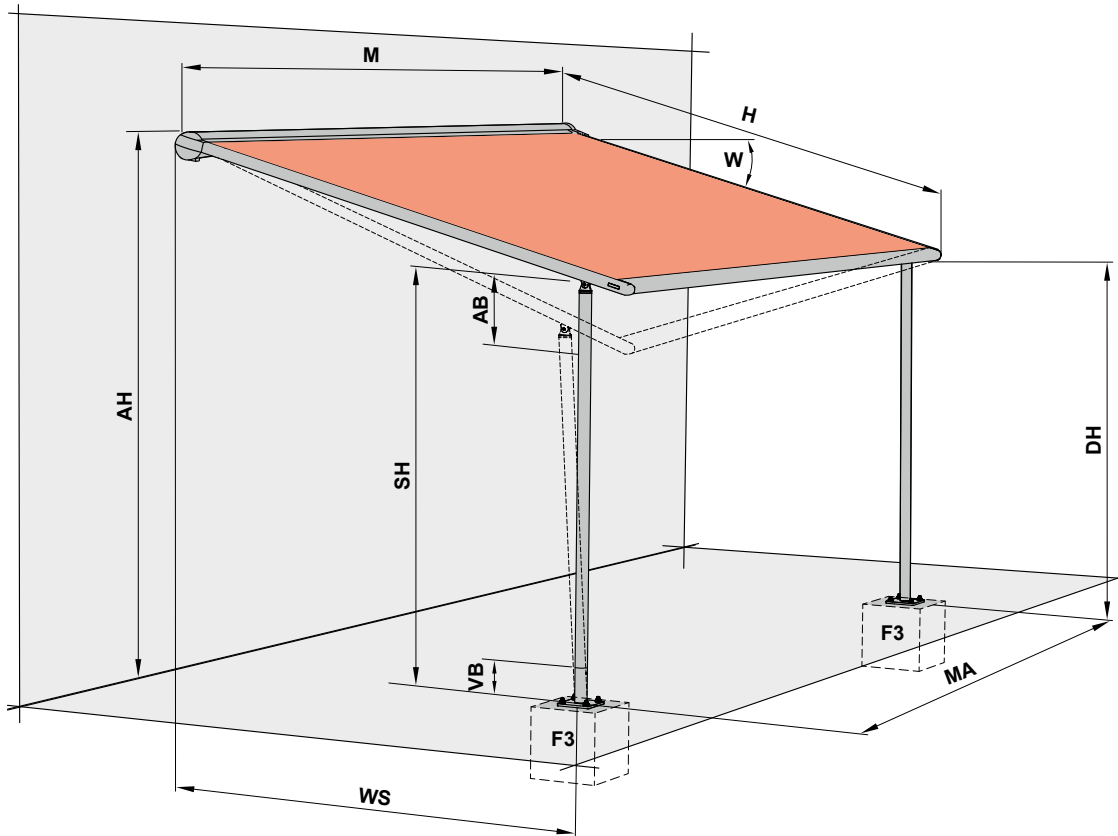
# 01 Overview of dimensions

pergola with fixed posts<sup>1)</sup> – support post fixture to a concrete footing

02  
03  
04  
05  
06  
07  
08  
09  
10  
11  
12  
13



pergola with telescopic post<sup>1)</sup> – support post fixture to a concrete footing

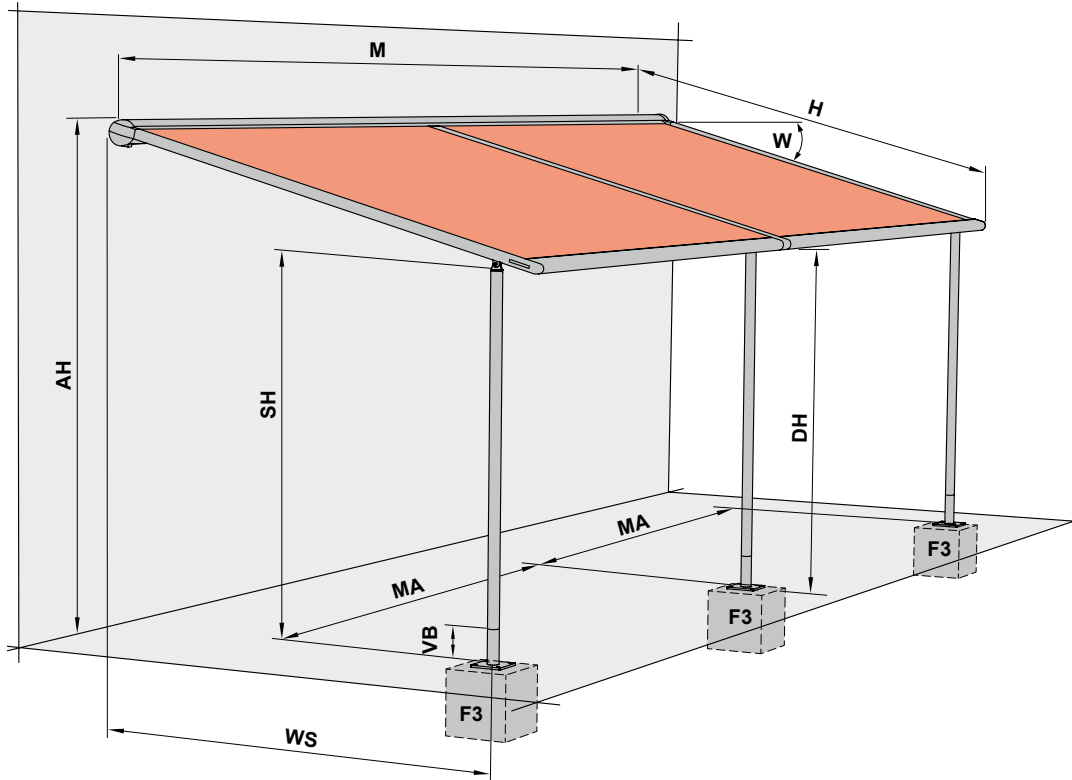


1) Optional with shadeplus

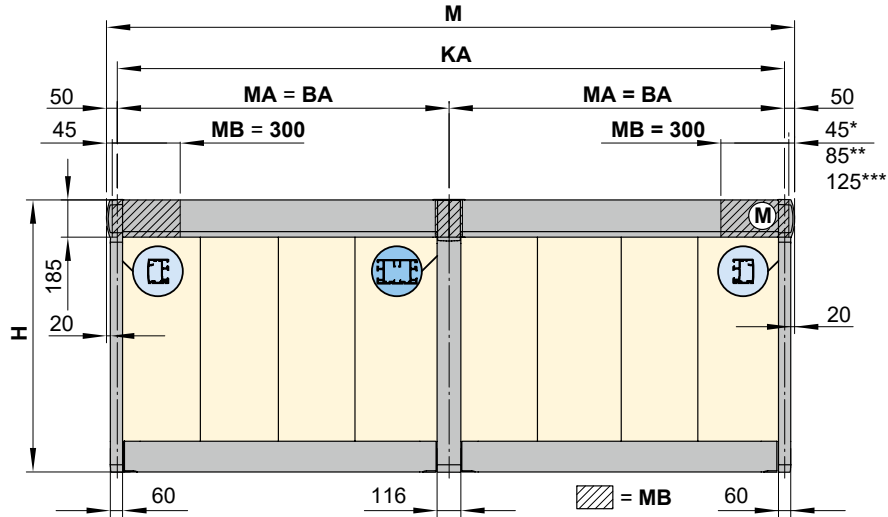


# 01 Overview of dimensions

## Coupled awnings



## Coupled unit, 2 fields, 1 motor



- \* = dimensions for rear cable exit on motor side (standard)
- \*\* = dimensions for bottom cable exit on motor side (optional)
- \*\*\* = dimensions for cable duct in case of lighting
- AH = fixture height
- BA = fixture width = awning fixture width = **order dimension**
- DH = headroom
- EA = single unit
- F3 = concrete foundation. Please refer to the section "Concrete foundations"
- H = **order dimension** = extension
- KA = coupled awning

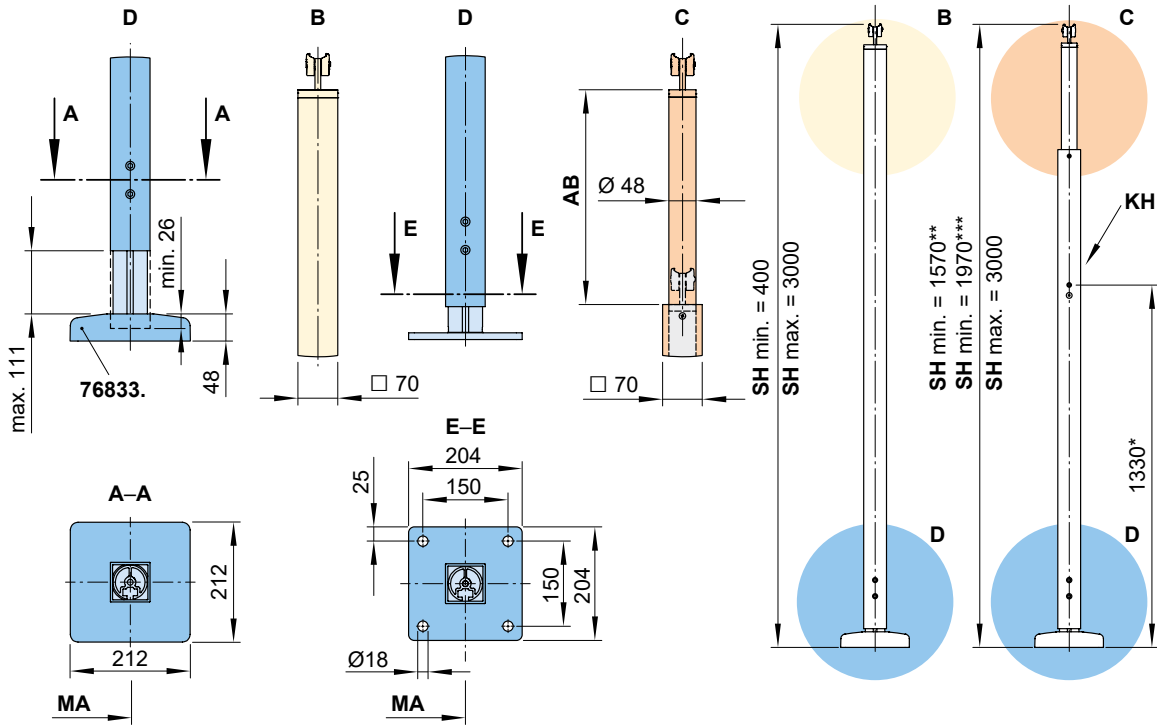
- M = overall awning width =  $MA + 10\text{ cm}$
- (M) = operation side, motor drive
- MA = **order dimension** = awning fixture width
- MB = bracket fixture range
- SH = **order dimension** = support post height, standard height 2500 mm (special heights on request)
- VB = height adjustment at the base of both the front support posts during installation approximately 100 mm
- W = pitch setting =  $5^\circ - 45^\circ$
- WS = distance from wall  $\leftrightarrow$  support post centre

dimensions in mm

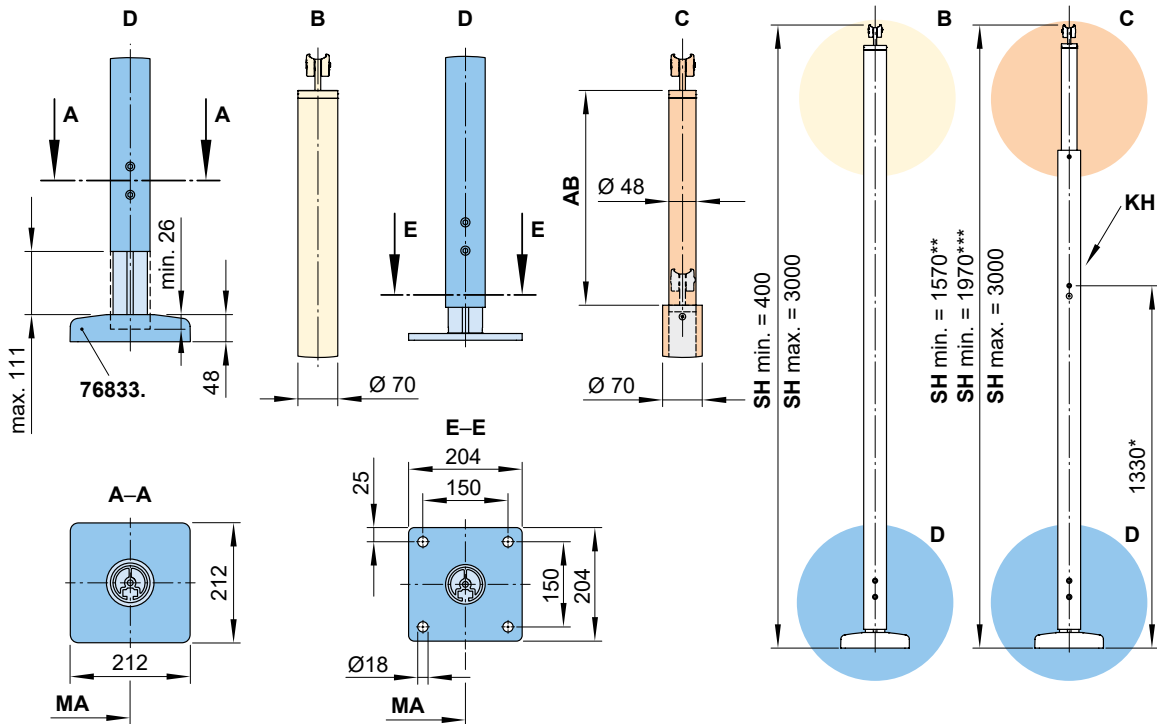


# 01 Post dimensions

Square support post with stabilisation box (not adjustable / adjustable)



Round support post with footplate (not adjustable / adjustable)



\* = dimensions at the standard height

\*\*\* = dimensions at manual operation

\*\* = dimensions at motor operation

AB = adjustment range of a post 200, 300 or 400.

For more detailed information please refer to "Dimensions and configuration options"

B = support post without manual adjustment option

C = support post with manual adjustment option

D = height adjustment at the base of both of the front

support posts during installation approximately 100 mm

76833. = footplate cover post

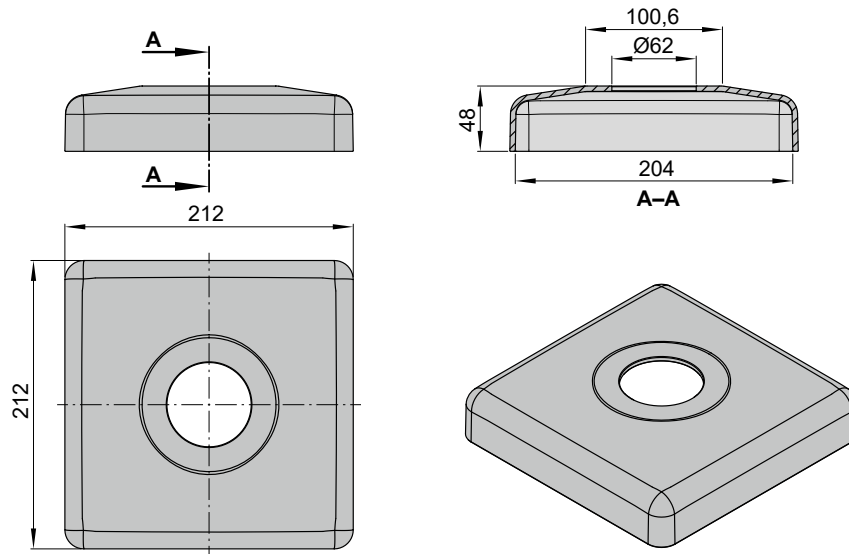
KH = winch handle socket

MA = order dimension = awning fixture width = fixture width

SH = order dimension = support post height, standard height 2500 mm (special heights on request)

dimensions in mm

## Footplate cover



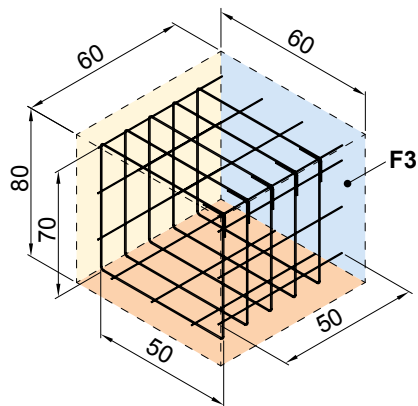
dimensions in mm

## Concrete foundations

### To be supplied on site:

Concrete foundations in compressive strength C25/30 (previously B25) with reinforcing mesh cage made of 6 pcs steel rebar  $\varnothing$ 6 mm.

**F3**



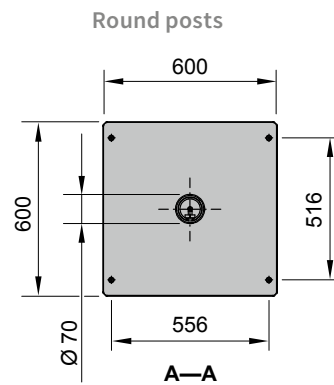
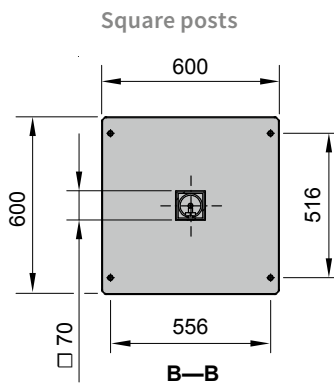
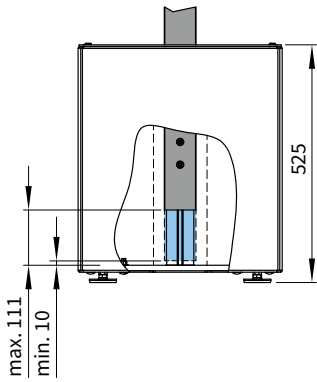
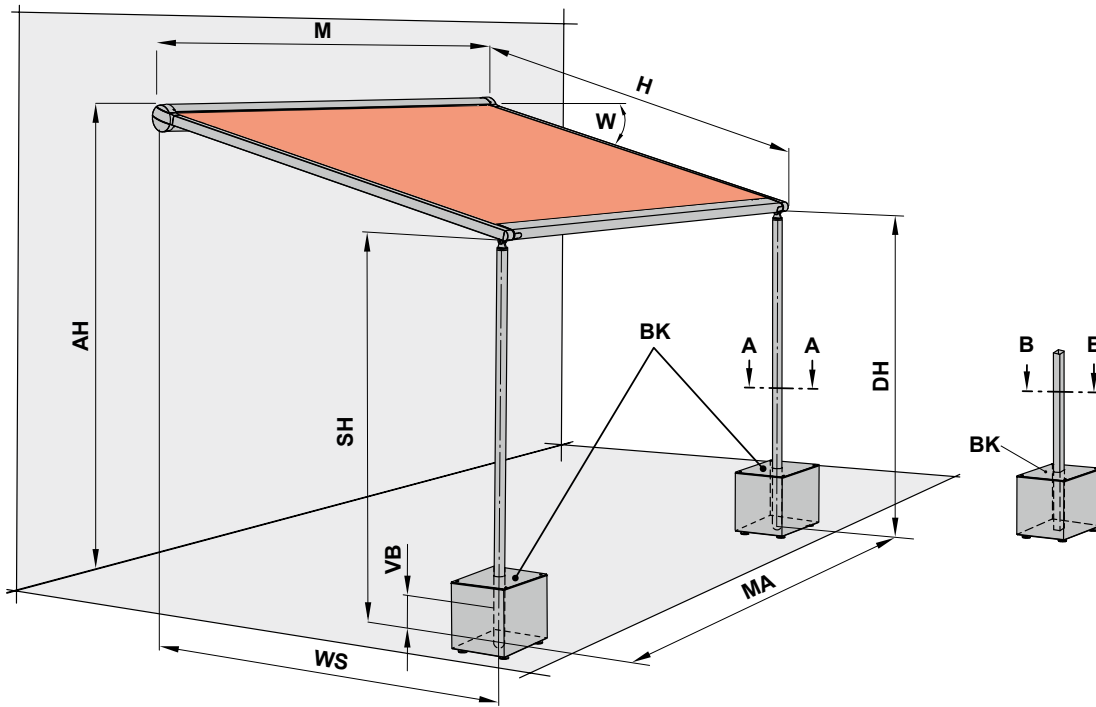
The footplates **F3** are to be fitted to the **concrete footings** using Fischer marine-grade stainless steel anchor bolts FAZ 10/30 aus A4 and washers certified to DIN 9021 (or equivalent).

dimensions in cm

# 01 Overview of dimensions

pergola – support posts with stabilisation boxes

02  
03  
04  
05  
06  
07  
08  
09  
10  
11  
12  
13



On site, every stabilisation box must be filled with at least 150 kg of ballast.

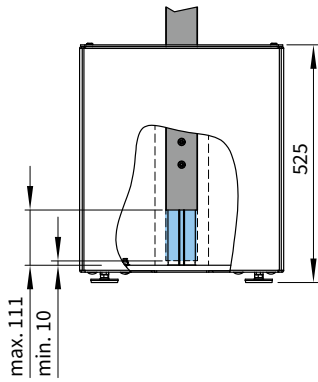
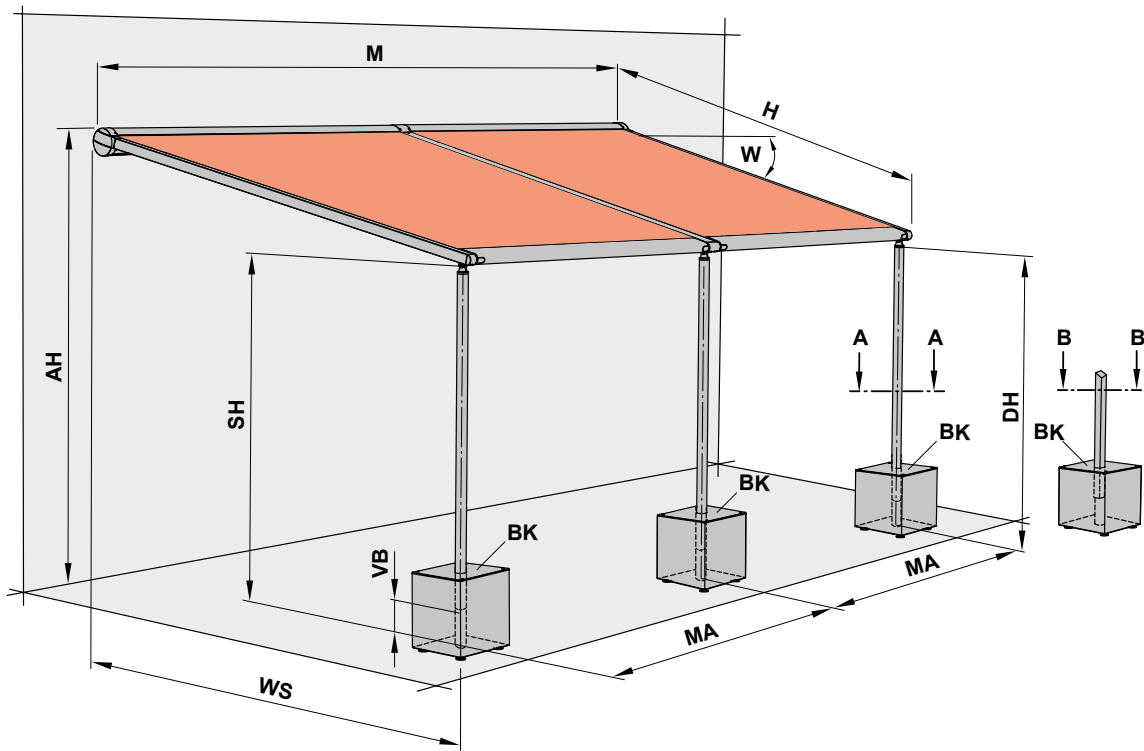
- AH = fixture height
- BK = stabilisation box
- DH = headroom
- H = **order dimension** = extension
- M = overall awning width = MA + 10 cm
- MA = **order dimension** = blind fixture width = fixture width

- SH = **order dimension** = post height
- VB = height adjustment at the base of both the front support posts during installation approximately 100 mm
- W = pitch setting = 5°–45°
- WS = distance from wall ↔ support post centre

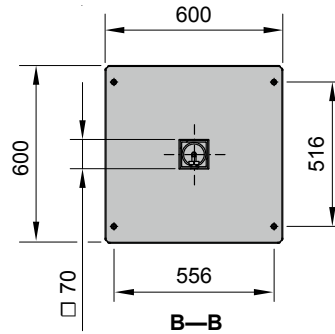
dimensions in mm

# Overview of dimensions

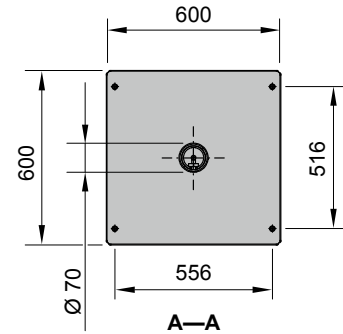
pergola – support posts with ballast boxes, coupled unit



Square posts



Round posts



On site, every stabilisation box must be filled with at least 150 kg of ballast.

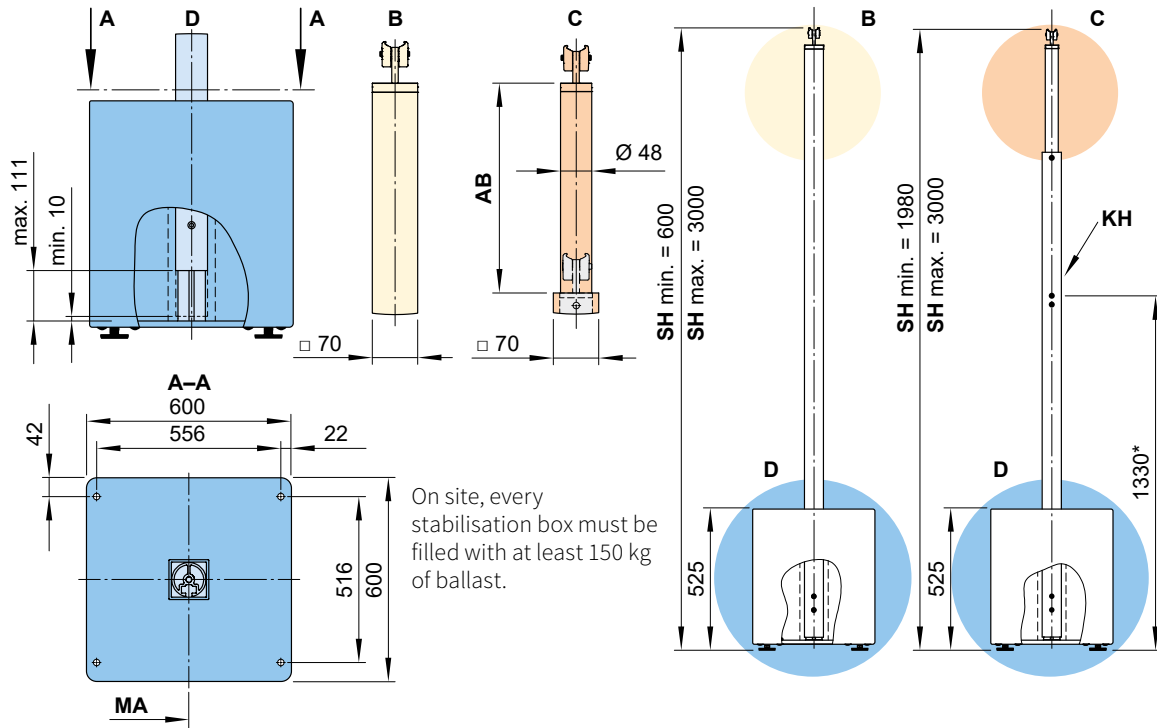
- |           |  |           |  |
|-----------|--|-----------|--|
| <b>AH</b> | = fixture height   | <b>SH</b> | = <b>order dimension</b> = post height   |
| <b>BK</b> | = stabilisation box  | <b>VB</b> | = height adjustment at the base of both the front support posts during installation approximately 100 mm |
| <b>DH</b> | = headroom   | <b>W</b>  | = pitch setting = 5°–45°   |
| <b>H</b>  | = <b>order dimension</b> = extension                           | <b>WS</b> | = distance from wall ↔ support post centre   |
| <b>M</b>  | = overall awning width = <b>MA</b> + 10 cm                     |           |  |
| <b>MA</b> | = <b>order dimension</b> = blind fixture width = fixture width |           |  |

dimensions in mm

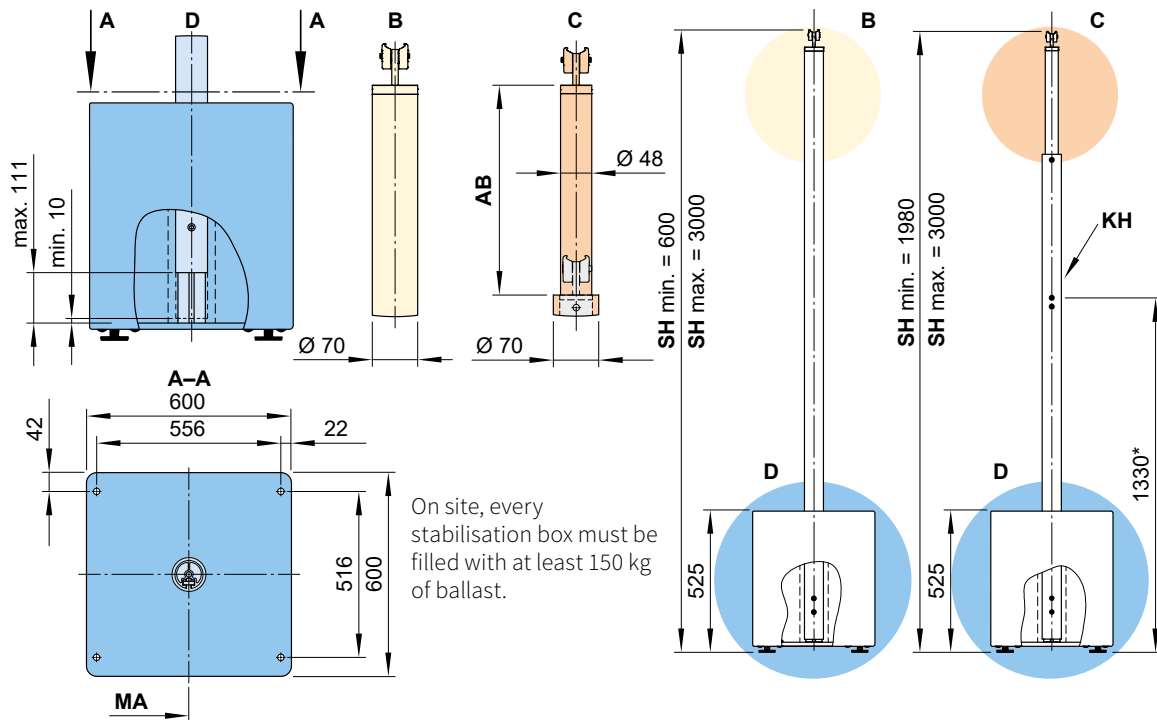
01  
02  
03  
04  
05  
06  
07  
08  
09  
10  
11  
12  
13

# 01 Post dimensions

## Square support post with stabilisation box (not adjustable / adjustable)

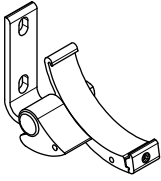
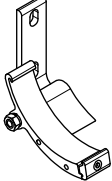
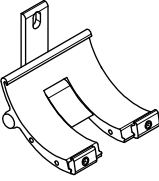
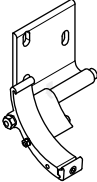
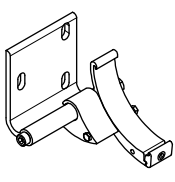

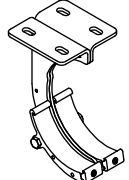
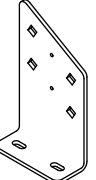
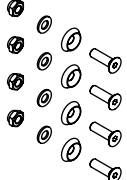
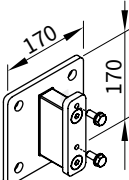
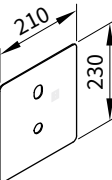
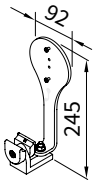
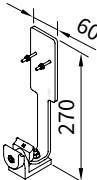
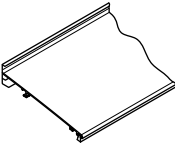
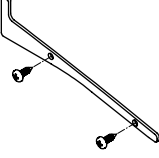


## Round support post with stabilisation box (not adjustable / adjustable)



- \* = dimensions at the standard height
  - AB = adjustment range of a post 200, 300 or 400.  
For more detailed information please refer to "Dimensions and configuration options"
  - B = support post without manual adjustment option
  - C = support post with manual adjustment option
  - D = height adjustment at the base of both of the front support posts during installation approx. 100 mm
  - KH = winch handle socket
  - MA = **order dimension** = blind fixture width = fixture width
  - SH = **order dimension** = support post height, standard height 2500 mm (special heights on request)
- dimensions in mm

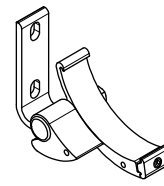
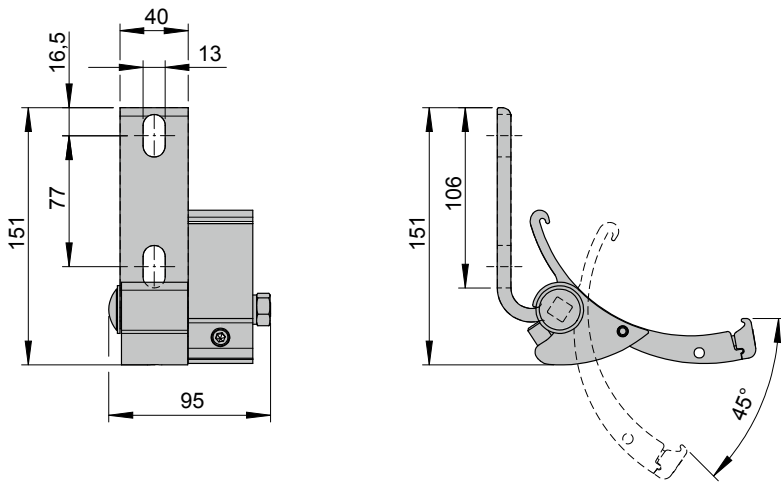
## Fixtures, fittings and accessories

 <p>face fixture cassette bracket, left</p> <p>pitch adjustment range 5°—45°</p> <p><b>76063.</b></p>	 <p>face fixture cassette bracket, right</p> <p>pitch adjustment range 5°—45°</p> <p><b>76064.</b></p>	 <p>coupling cassette bracket, central</p> <p>pitch adjustment range 5°—45°</p> <p><b>76181.</b></p>	<p>02</p> <p>03</p> <p>04</p> <p>05</p>
 <p>face fixture cassette bracket, wide, left</p> <p>pitch adjustment range 5°—45°</p> <p><b>76231.</b></p>	 <p>face fixture cassette bracket, wide, right</p> <p>pitch adjustment range 5°—45°</p> <p><b>76232.</b></p>	 <p>top fixture cassette bracket right / left</p> <p>pitch adjustment range 5°—20°</p> <p><b>77058.</b></p>	<p>06</p> <p>07</p> <p>08</p> <p>09</p>
 <p>coupling cassette bracket top fixture</p> <p>pitch adjustment range 5°—20°</p> <p><b>73803.</b></p>	 <p>eaves fixture bracket</p> <p><b>77010.</b></p>	 <p>accessories for two eaves fixture brackets 77010.</p> <p><b>767281</b></p>	<p>10</p> <p>11</p> <p>12</p> <p>13</p>
 <p>stand-off brackets for face fixture brackets 76063., 76064. and 76181.</p> <p>length min. 80 mm up to max. 300 mm</p> <p>incl. insulating element</p> <p><b>77956.</b></p>	 <p>cover plate for installation with stand-off bracket 77956. in the case of external insulation</p> <p>210 × 230 mm</p> <p><b>71844.</b></p>	 <p>bracket for sun and/or wind sensor io</p> <p><b>76723.</b></p>	
 <p>fixture bracket for light and / or wind and/or rain sensor</p> <p><b>76050.</b></p>	 <p>wall sealing profile incl. brush seal</p> <p>by the metre</p> <p><b>76385. and 704241.</b></p>	 <p>side plate for wall sealing profile</p> <p>including 2 pan-head self-tapping screws</p> <p><b>76386. and 2 × 735611</b></p>	

dimensions in mm

# 01 Face fixture

Face fixture cassette bracket, left

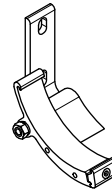
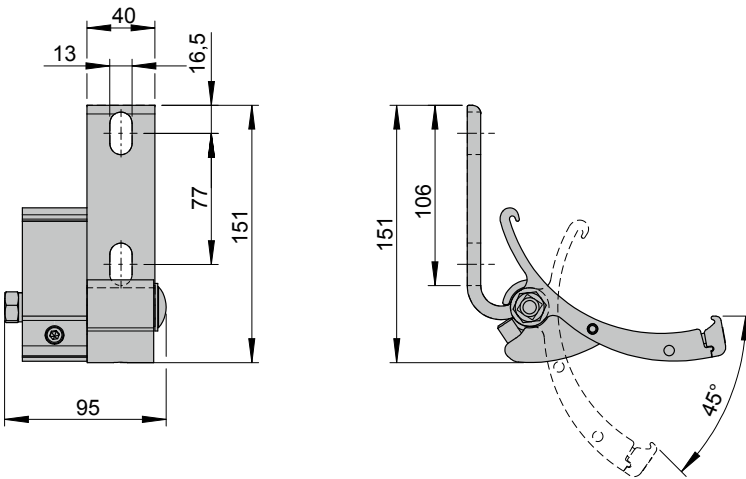


face fixture cassette bracket, left

pitch adjustment range 5°–45°

**76063.**

Face fixture cassette bracket, right

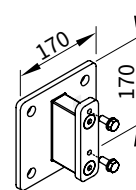
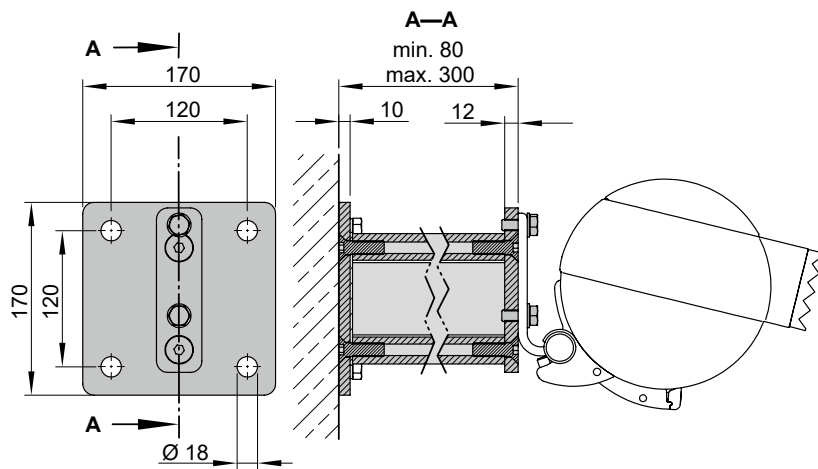


face fixture cassette bracket, right

pitch adjustment range 5°–45°

**76064.**

Face fixture using stand-off brackets



stand-off brackets for face fixture brackets 76063., 76064. and 76181.

length min. 80 mm up to max. 300 mm

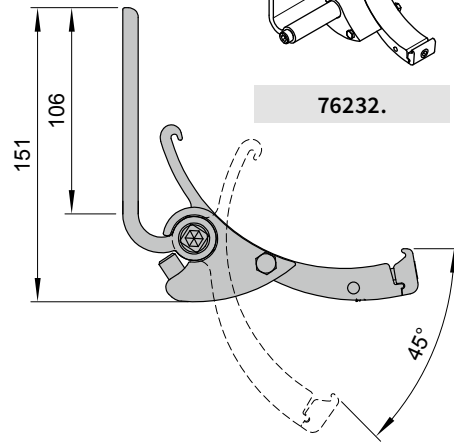
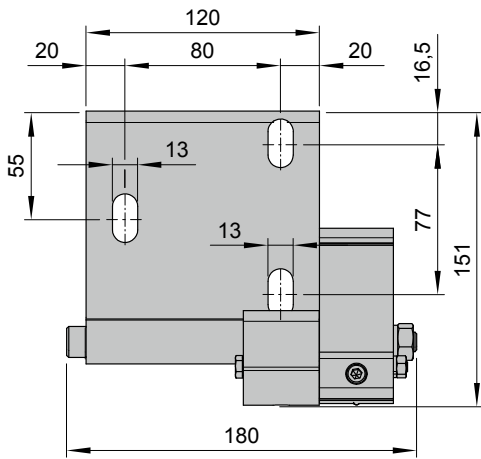
**77956.**

incl. insulating element

dimensions in mm

## Face fixture

Face fixture cassette bracket, wide, right

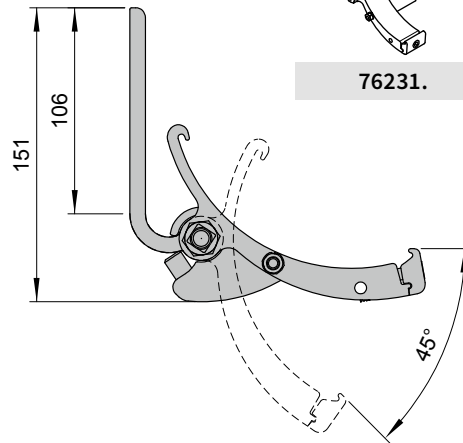
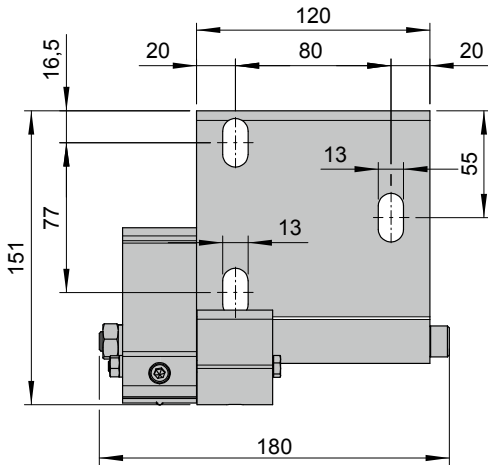


76232.

face fixture cassette bracket, wide, right

pitch adjustment range 5°–45°

Face fixture cassette bracket, wide, left

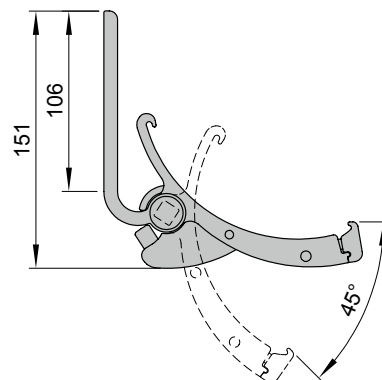
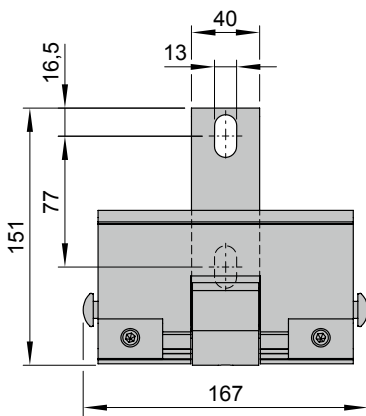


76231.

face fixture cassette bracket, wide, left

pitch adjustment range 5°–45°

Coupling cassette bracket (central in coupled units)



76181.

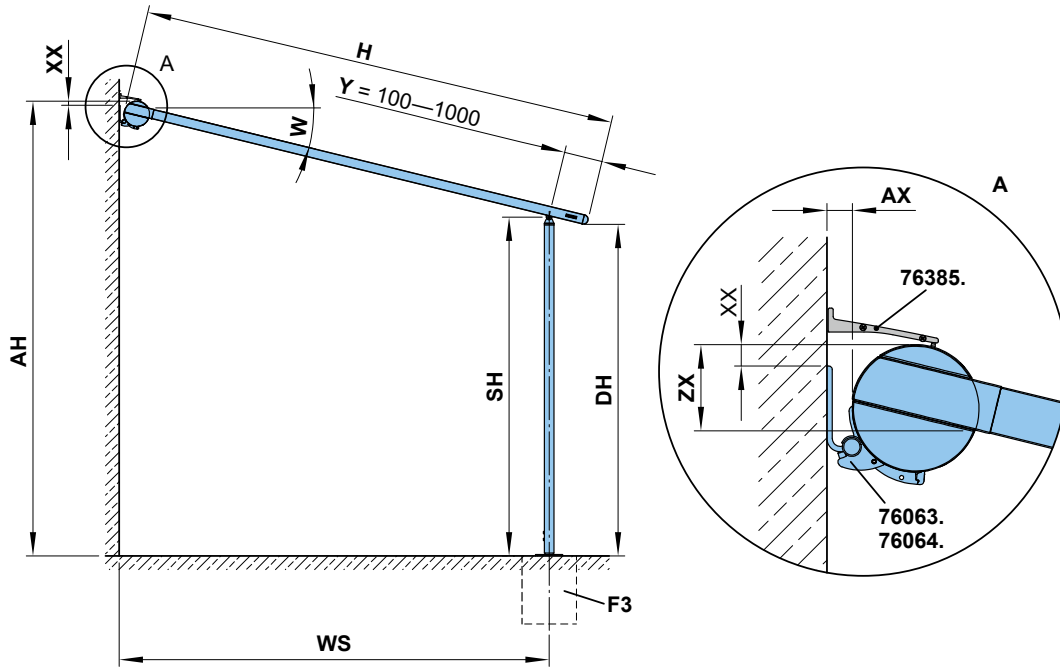
coupling cassette bracket, central

pitch adjustment range 5°–45°

dimensions in mm

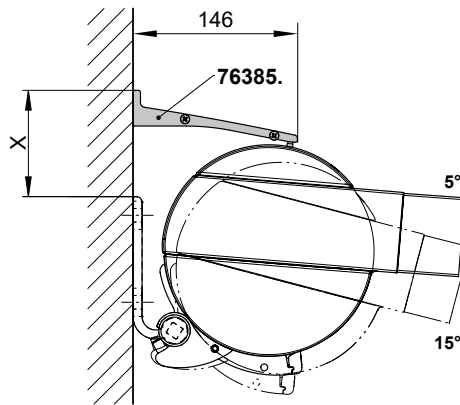
# 01 Face fixture

Dimension overview support post with footplate



W	AX	XX	ZX
5°	26	46	112
10°	32	38	120
15°	38	30	128
20°	44	22	135
25°	49	13	142
30°	54	4	149
35°	58	-5	156
40°	62	-15	161
45°	65	-24	167

Face fixture with wall sealing profile



dimensions in mm

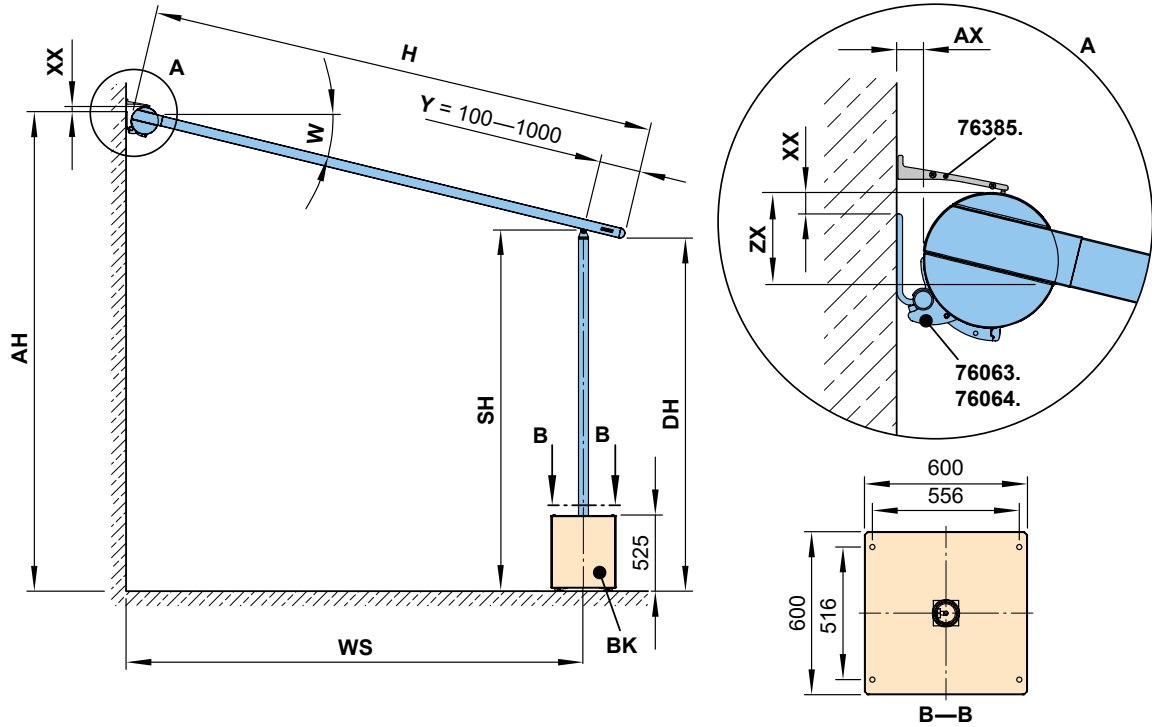
W	X
5°	95
10°	89
15°	81

- 76385.** = wall sealing profile (standard width = awning fixture width (MA) + 58 mm)
- 76063.** = face fixture cassette bracket, left
- 76064.** = face fixture cassette bracket, right
- AH** = fixture height = SH + ZX + sin W × (H - Y)
- AX** = distance from wall ↔ cassette
- DH** = headroom = SH - sin W × Y
- F3** = concrete foundation. Please refer to the section "Concrete foundations"
- H** = **order dimension** = extension
- SH** = **order dimension** = post height = AH - ZX - sin W × (H - Y)
- W** = pitch (measured from the horizontal)
- AH** = installation height
- WS** = distance from wall ↔ support post centre = cos W × (H - Y) + AX
- Y** = **order dimension** = the support post can be moved back by min. 100 and max. 1000 mm
- XX** = distance from the top edge of the fixture bracket to the top edge of the cassette (see table)
- ZX** = distance upper edge cassette - bottom edge of guide track (see table)

dimensions in mm

# Face fixture

## Dimension overview support post with stabilisation box



W	AX	XX	ZX
5°	26	46	112
10°	32	38	120
15°	38	30	128
20°	44	22	135
25°	49	13	142
30°	54	4	149
35°	58	-5	156
40°	62	-15	161
45°	65	-24	167

On site, every stabilisation box must be filled with at least 150 kg of ballast.

dimensions in mm

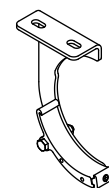
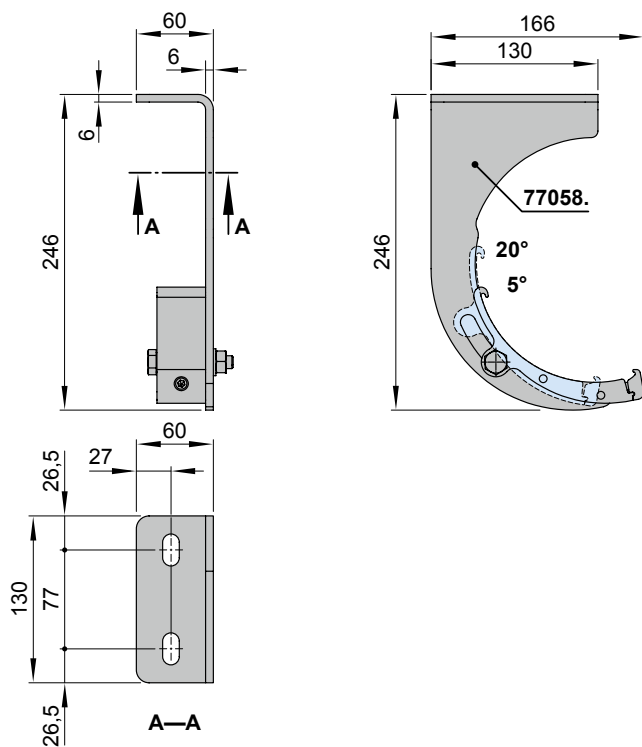
- 76385.** = wall sealing profile (standard width = awning fixture width (MA) + 58 mm)
- 76063.** = face fixture cassette bracket, left
- 76064.** = face fixture cassette bracket, right
- AH** = fixture height =  $SH + ZX + \sin W \times (H - Y)$
- AX** = distance from wall  $\leftrightarrow$  cassette
- BK** = stabilisation box
- DH** = headroom =  $SH - \sin W \times Y$
- H** = **order dimension** = extension
- SH** = **order dimension** = post height =  $AH - ZX - \sin W \times (H - Y)$
- W** = pitch
- WS** = distance from wall  $\leftrightarrow$  support post centre =  $\cos W \times (H - Y) + AX$
- Y** = **order dimension** = the support post can be moved back by min. 100 and max. 1000 mm
- XX** = distance from the top edge of the fixture bracket to the top edge of the cassette (see table)
- ZX** = distance upper edge cassette - bottom edge of guide track (see table)

dimensions in mm

01  
02  
03  
04  
05  
06  
07  
08  
09  
10  
11  
12  
13

# 01 Top fixture

Top fixture cassette bracket, right and left

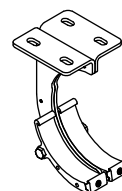
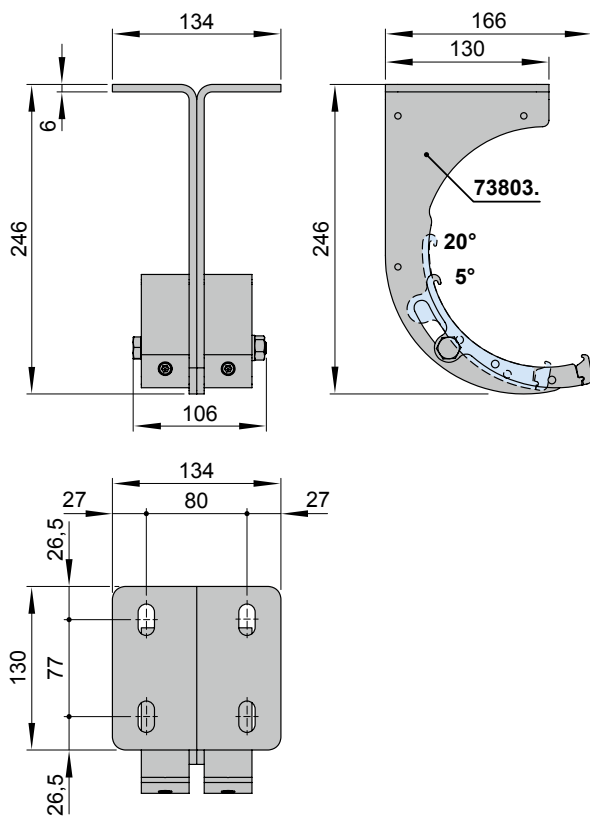


top fixture cassette bracket right / left

pitch adjustment range 5°–20°

77058.

Top fixture coupling cassette bracket (central in coupled units)



coupling cassette bracket top fixture

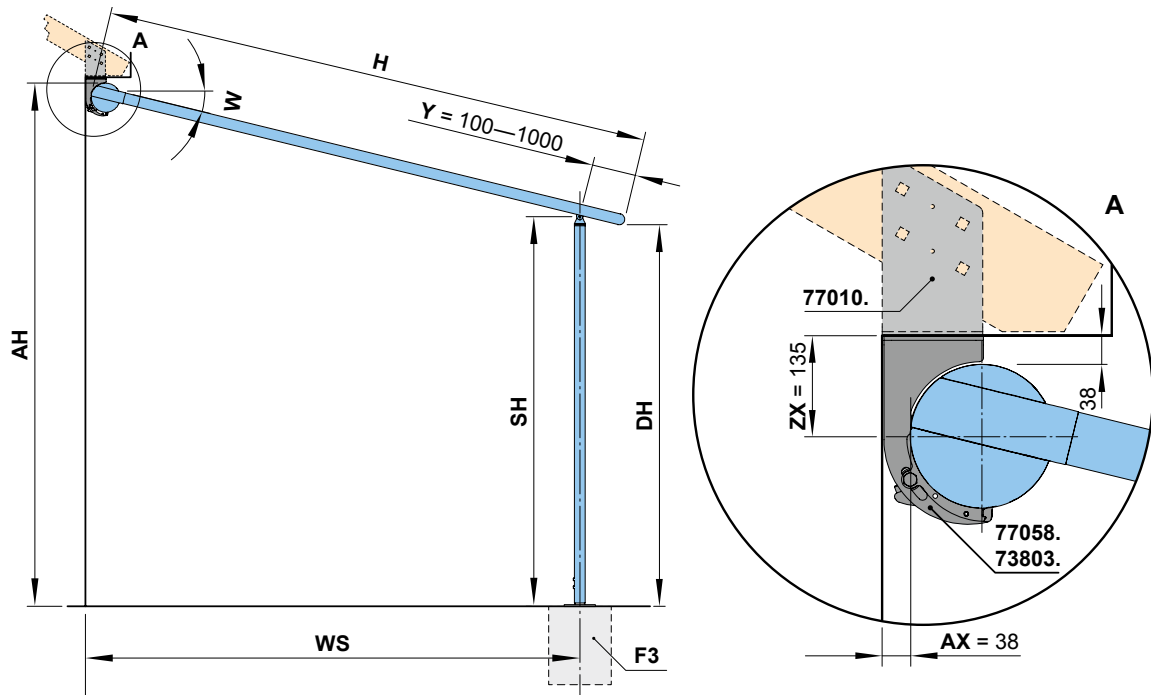
pitch adjustment range 5°–20°

73803.

dimensions in mm

## Top and eaves fixture

Dimension overview support post with footplate



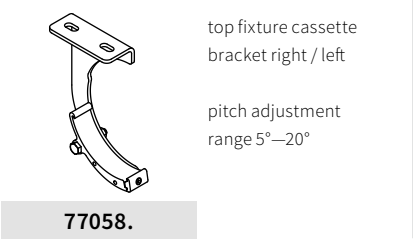
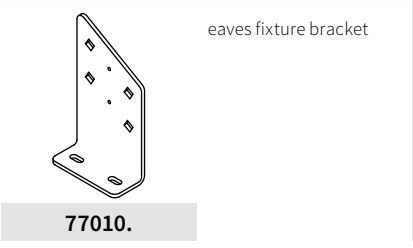
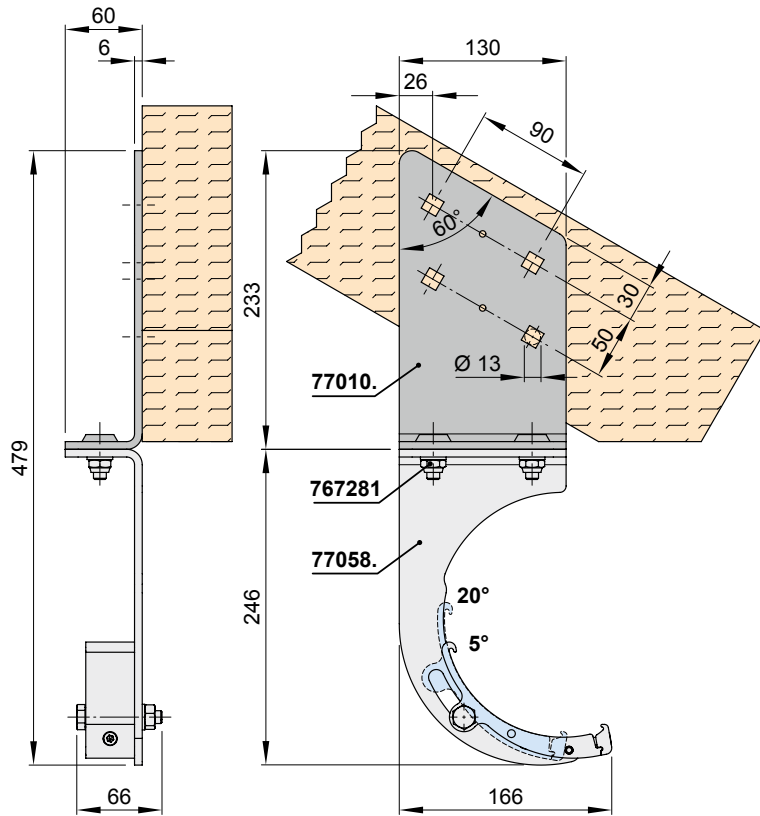
- 73803.** = coupling cassette bracket, top fixture, pitch adjustment range 5°–20°
- 77010.** = eaves fixture bracket
- 77058.** = top fixture cassette bracket right / left, pitch adjustment range 5°–20°
- AH** = fixture height =  $SH + ZX + \sin W \times (H - Y)$
- AX** = distance from wall  $\leftrightarrow$  cassette
- DH** = headroom =  $SH - \sin W \times Y$
- F3** = concrete foundation. Please refer to the section “Concrete foundations”
- H** = **order dimension** = extension
- SH** = **order dimension** = support post height, standard height 2500 mm (special heights on request) =  $AH - ZX - \sin W \times (H - Y)$
- W** = pitch
- WS** = distance from wall  $\leftrightarrow$  support post centre =  $\cos W \times (H - Y) + AX$
- Y** = **order dimension** = the support post can be moved back by min. 100 and max. 1000 mm
- ZX** = calculation value for fixture height AH (135 mm)

dimensions in mm

# 01 Eaves fixture

## Eaves fixture bracket

02  
03  
04  
05  
06  
07  
08  
09  
10  
11  
12  
13



## Telescopic, motor-driven post

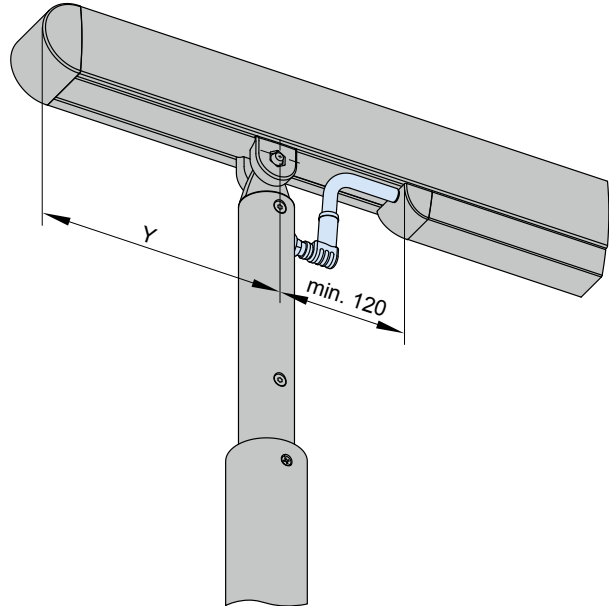
- minimum post height: 1970 mm
- motor cable, black
- the LED-Line profiles are always fitted to all guide tracks of the markilux pergola to give a harmonious look
- the awning may only be retracted or extended if the front profile is horizontal, in other words, the post must not be in the lowered position
- the shadeplus (optional) may only be operated when the post is not in the lowered position. It may only be operated when the front profile is horizontal

Controls	standard	optional
hard-wired motor	✓	—
radio receiver Somfy Slim Plug io (8271254)	—	✓
radio receiver Universal Slim Receiver RTS Plug (8272148)	—	✓

### Technical details Hard-wired motor

power supply	230 VAC
power output	110 W
protection class	IP 44

**Y** = **order dimension** = distance from post centre to leading edge of front profile.  
Dimensions: min. 100 bis max. 1000 mm (standard)



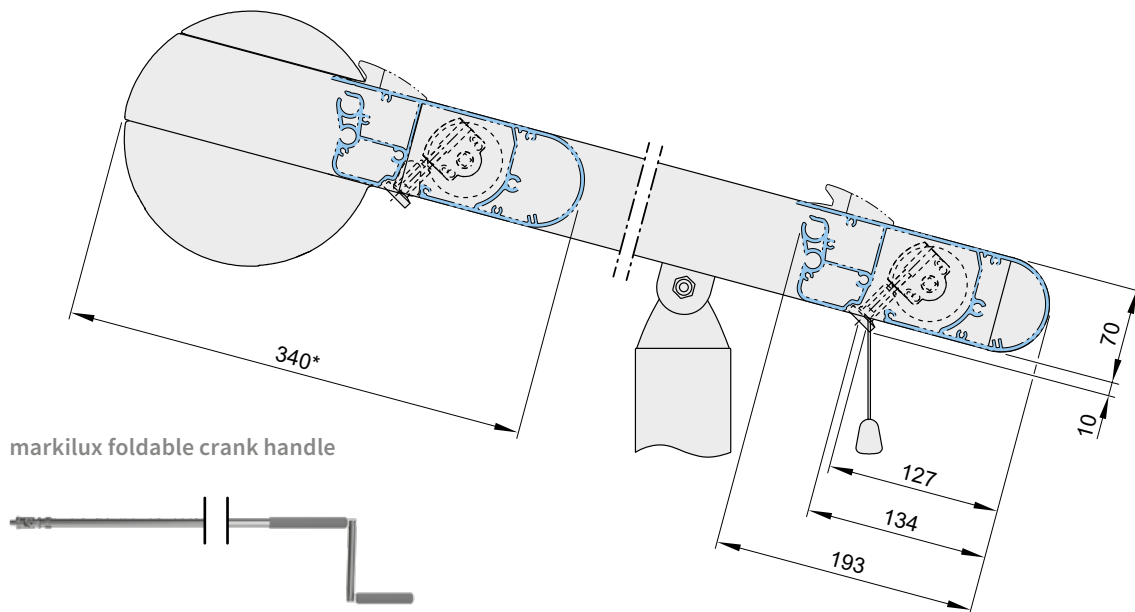
**Note:** In the case of a motorised post, the difference in measurement from the end of the profile cable duct / LED-Line to end of extension =  $Y + 120$  mm = depending on the Y value between 22 cm and 112 cm (in the case of the LED-Line and standard post, the difference in measurement is  $Y + 50$  mm = depending on the Y value between 15 cm and 105 cm, please also take a look at Dimension overview lighting options).

dimensions in mm

# Overview of fixture dimensions, shadeplus

01  
02  
03  
04  
05  
06  
07  
08  
09  
10  
11  
12  
13

Magnetic gearbox operation



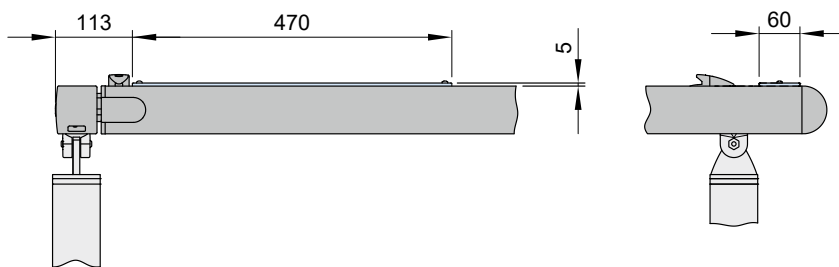
with magnetic gearbox attachment for manual operation of the drop valance  
 lengths: standard 120 cm, optional 160 cm, from 160 cm up to 280 cm on request  
 order no. 74271

\* = extension when retracted

**Please note!** The shadeplus (optional) may only be operated when the post is not in the lowered position. It may only be operated when the front profile is horizontal.

## sundrive

Solar module for radio-controlled drop valance operation

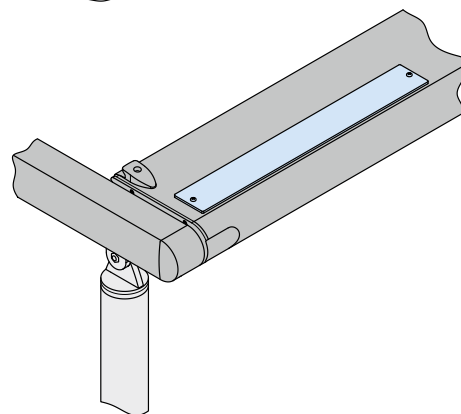


### Technical data solar module

voltage	max. 21 V DC
current	max. 196 mA
power output	3,2 W
protection class	IP 44
battery capacity	2200 mAh

### Technical data radio-controlled motor RTS 433 MHz

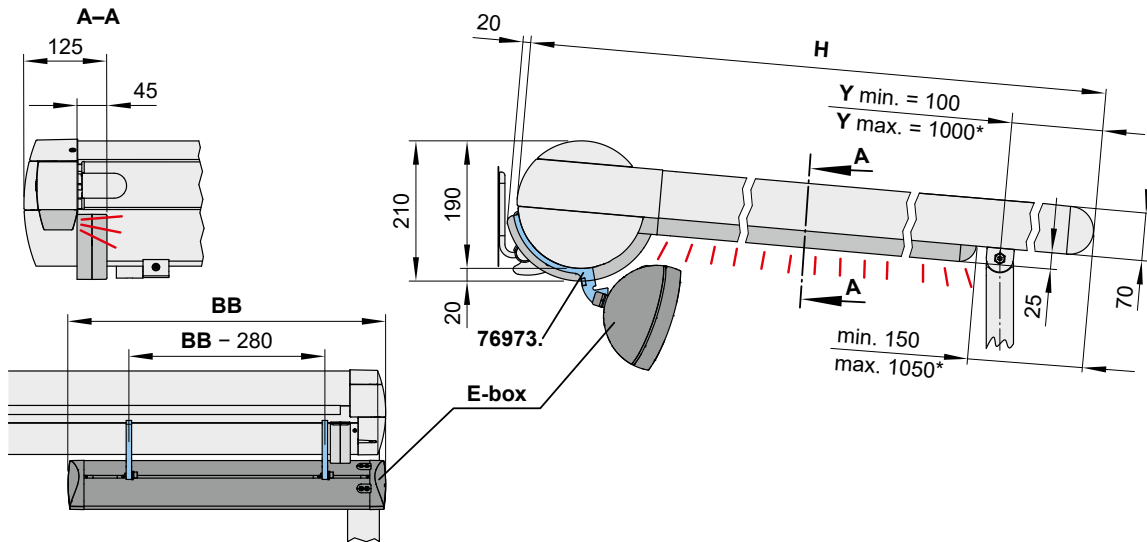
power supply	12 V DC
power output	26 W
protection class	IP 44



dimensions in mm

# 01 Dimension overview with the various lighting options

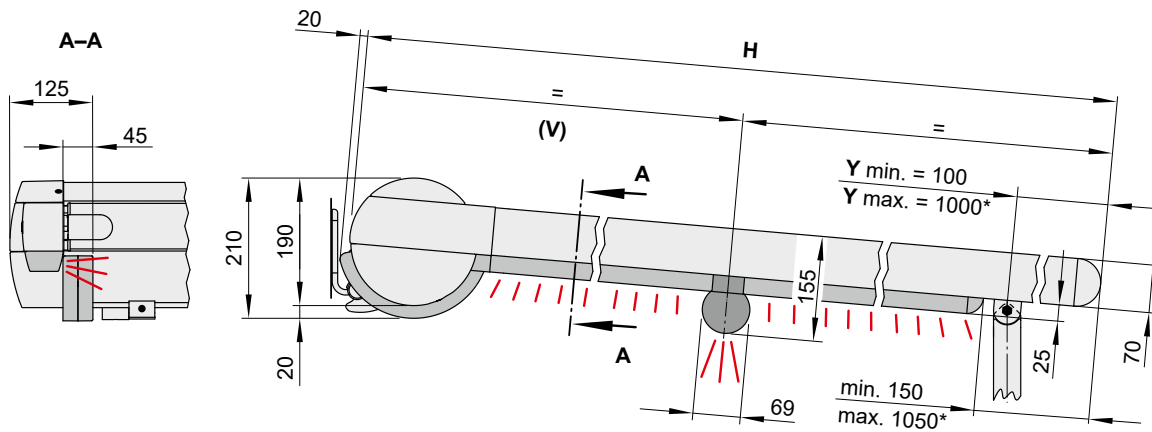
Option 1: LED-Line in the guide tracks, electronic components in an E-box



- \* = standard dimension
- 60585. = cassette bracket E-box
- H = **order dimension** = projection
- E-box = see E-box for the electronics
- Y = **order dimension** = distance from post centre to leading edge of front profile

Option 2: LED-Line in the cover support tube, electronic components in the cover support tube

Option 3: LED-Line in the cover support tube and in the guide tracks, electronic components in the cover support tube



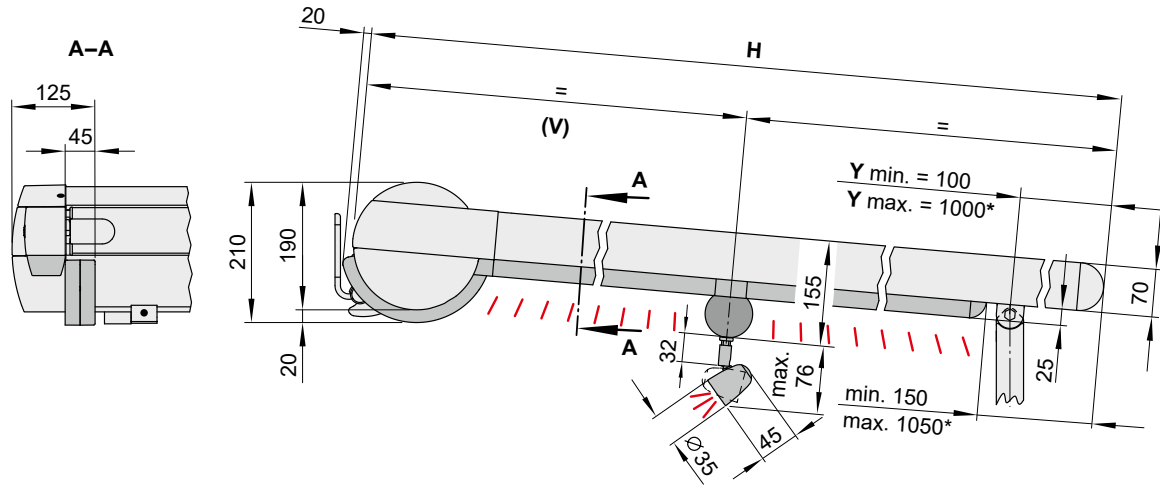
- \* = standard dimension
- H = **order dimension** = projection
- V = distance from the rear of the cassette to the centre of the cover support tube. Standard: centred ( $V = H \div 2$ ). Bespoke dimensions are available on request. Dimensions: min. = 700 mm, max. = 1590 mm
- Y = **order dimension** = distance from post centre to leading edge of front profile

dimensions in mm

## Dimension overview with the various lighting options

Option 4: LED-Spots in the cover support tube, electronic components in the cover support tube

Option 5: LED-Spots in the cover support tube and LED-Line in the guide tracks, electronic components in the cover support tube



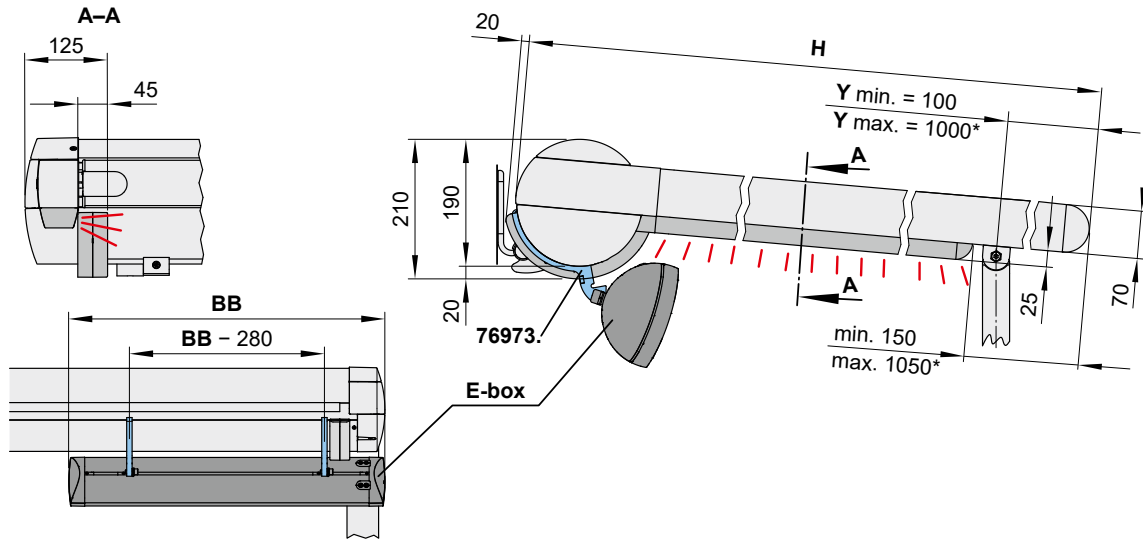
- \* = standard dimension
- H = **order dimension** = projection
- V = distance from the rear of the cassette to the centre of the cover support tube. Standard: centred ( $V = H \div 2$ ). Bespoke dimensions are available on request. Dimensions: min. = 700 mm, max. = 1590 mm
- Y = **order dimension** = distance from post centre to leading edge of front profile

dimensions in mm

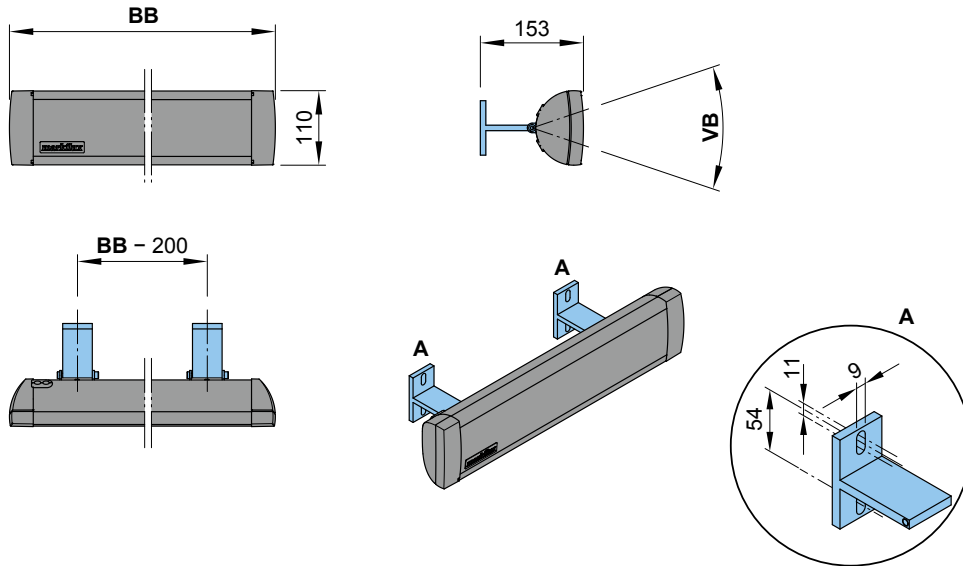
01  
02  
03  
04  
05  
06  
07  
08  
09  
10  
11  
12  
13

# 01 E-box for the electronics

In units without cover support tube



Dimension overview E-box



Minimum E-box dimensions

Wireless technology	433 RTS MHz		868 MHz io	
	Extension H [cm]	< 330 cm	≥ 330 cm	< 330 cm

### Lighting options

LED-Line attached to the Guide tracks	E-box M	E-box G	E-box M
	71850. BB = 500 mm	71873. BB = 700 mm	71850. BB = 500 mm

for independent use  
 E-box I  
 71851.  
 BB = to order

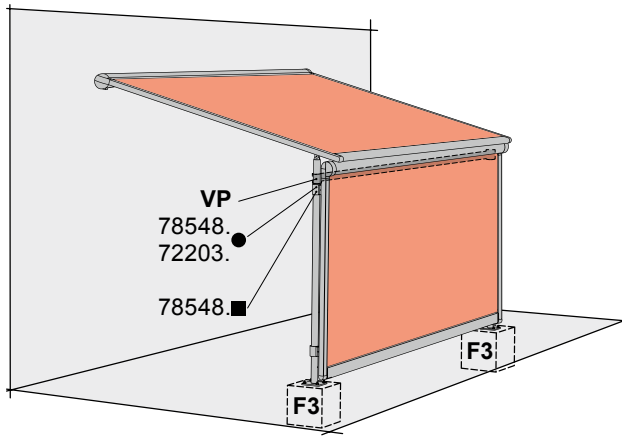
- \* = standard dimension
- 60585. = cassette bracket E-box
- BB = order width
- E-box = in sizes M, G or I

- H = order dimension = projection
- VB = adjustment range
- Y = order dimension = possible indent dimension of support post

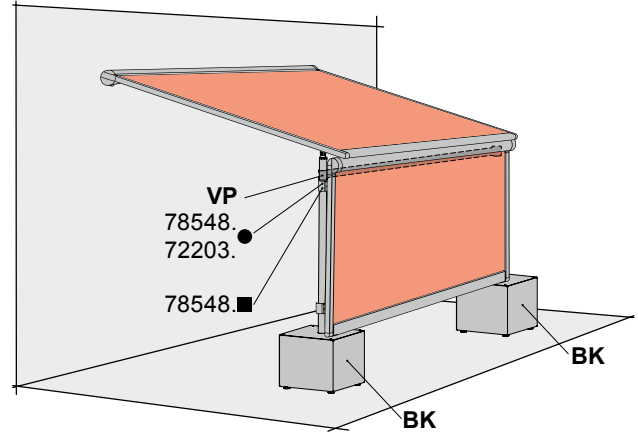
dimensions in mm

## Combination options

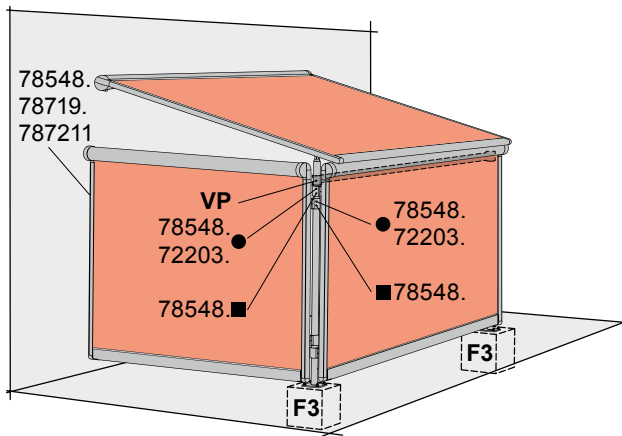
Example with markilux 776 tracfix / 876 tracfix (optionally with panorama window)



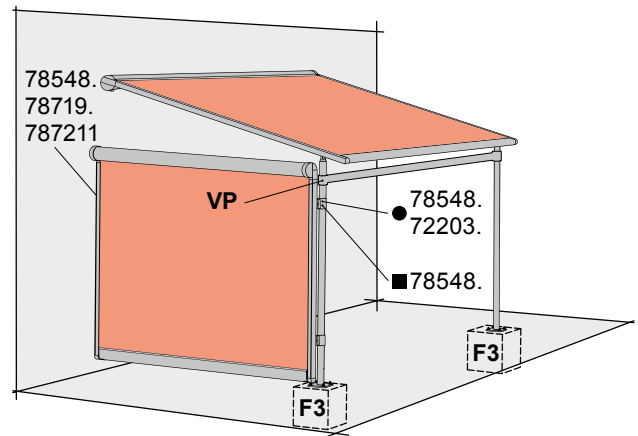
vertical cassette blind at the front



Vertical cassette blind at the front, support posts with stabilisation boxes



Installation of a vertical cassette blind both to the side



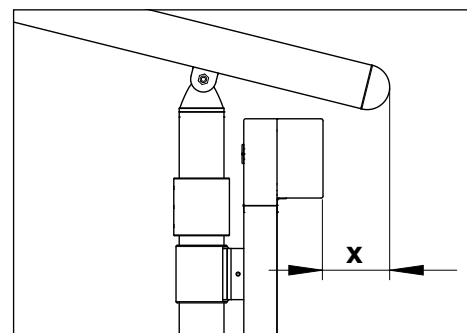
Installation of a vertical cassette blind at the side and obligatory cross member between support posts

**N.B!** A vertical roller blind may only be installed at the side or the front if a stabilizing profile (VP) has been fitted. A front vertical cassette blind must always be mounted under the guide tracks (see fig. 1)

The combination of markilux pergola classic with vertical cassette blinds is only permitted if two fixed posts are used.

## Combination Possibilities

- markilux 790 at the side (cover optionally with angled top edge)
- markilux 790 at the front between support posts
- markilux pergola fitted to the markilux syncra
- additional combinations may be possible on request



Picture 1)

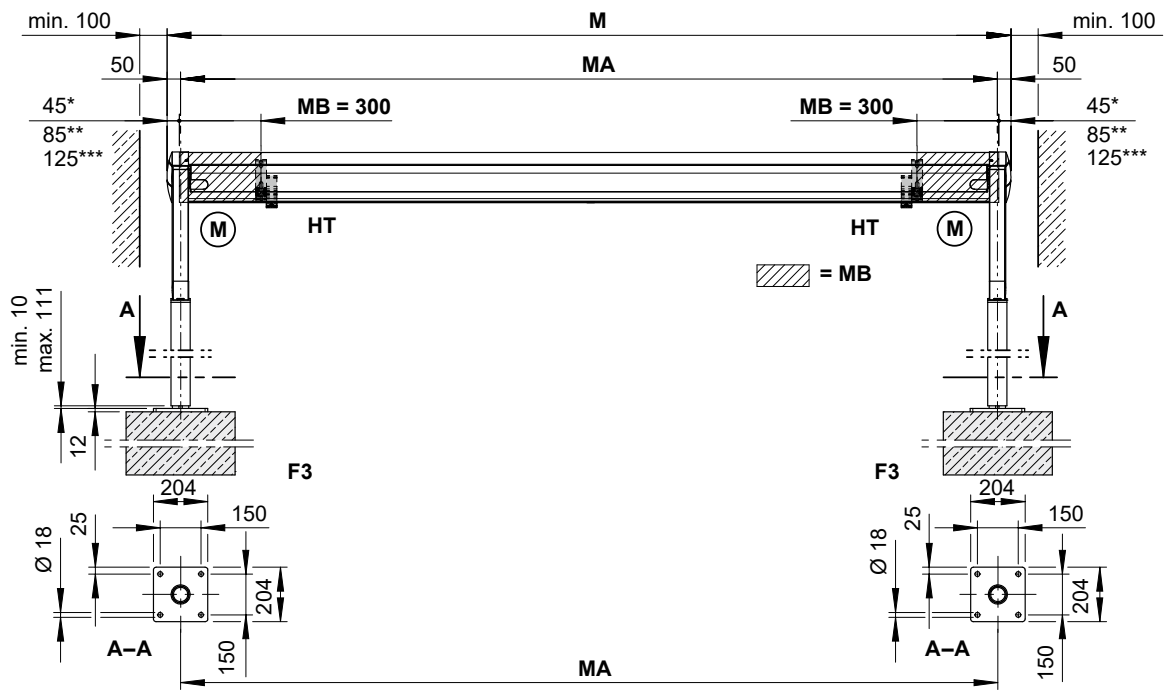
- 72203. = post fixture guide track (round post)
- 78548. = flat track bracket
- 78719. = additional angled bracket for the bearing, gearbox and motor sides
- 787211 = accessories for two angled brackets

- BK = stabilisation boxes (600 × 600 × 525 mm)
- F3 = concrete footing
- VP = cross member
- = round post
- = square post

01  
02  
03  
04  
05  
06  
07  
08  
09  
10  
11  
12  
13

# 01 Overview of dimensions

## Reveal fixture



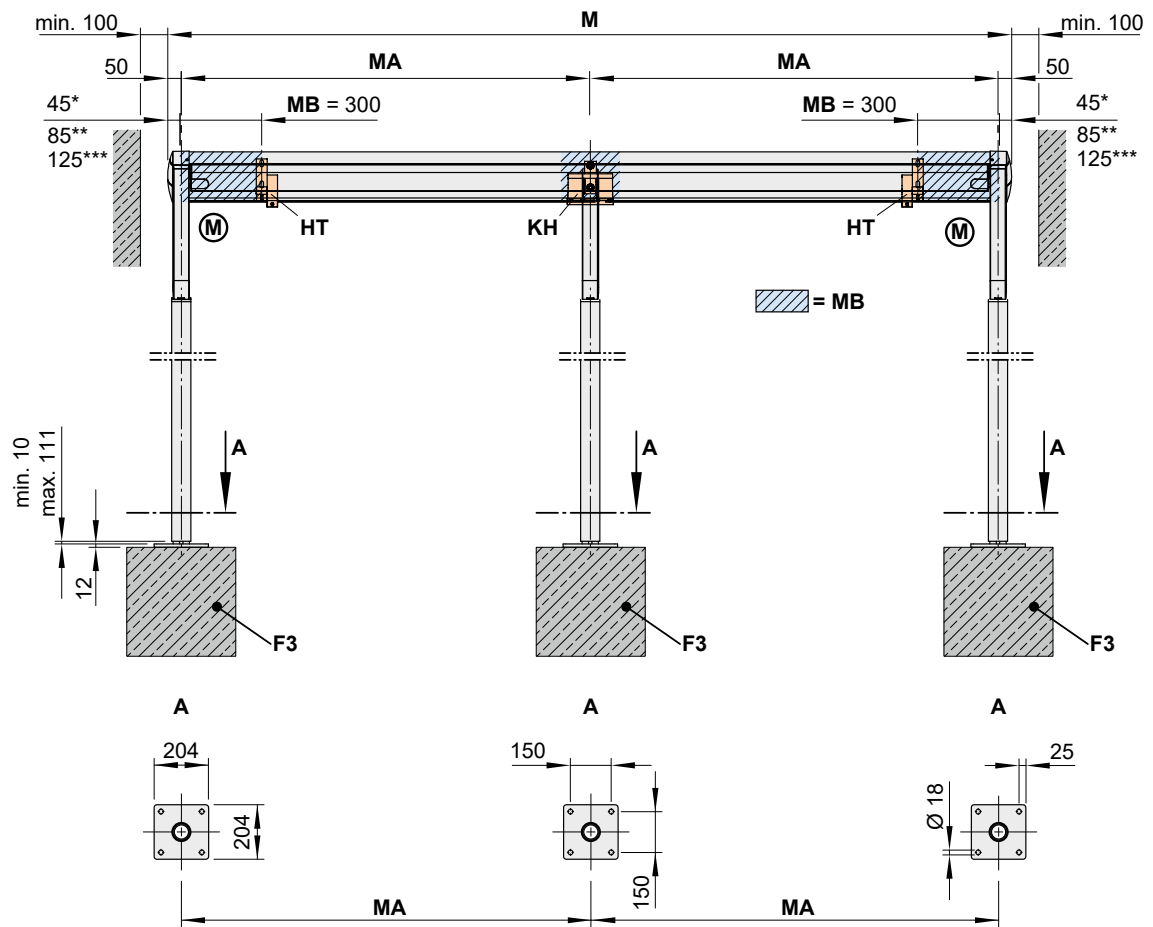
**N.B.!** In the case of reveal fixture a distance of at least 100 mm must be left free on each side of the awning.

- \* = dimensions for rear cable exit on motor side (standard)
- \*\* = dimensions for bottom cable exit on motor side (optional)
- \*\*\* = dimensions for cable duct in case of lighting
- F3** = concrete foundation. Please refer to the section "Concrete foundations"
- HT** = bracket
- M** = overall awning width = **MA** + 10 cm
- (M)** = operation side, motor drive
- MA** = **order dimension** = blind fixture width = fixture width
- MB** = bracket fixture range

dimensions in mm

# Overview of dimensions

## Reveal fixture of a coupled unit



**N.B.!** In the case of reveal fixture a distance of at least 100 mm must be left free on each side of the awning.

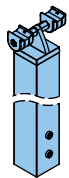
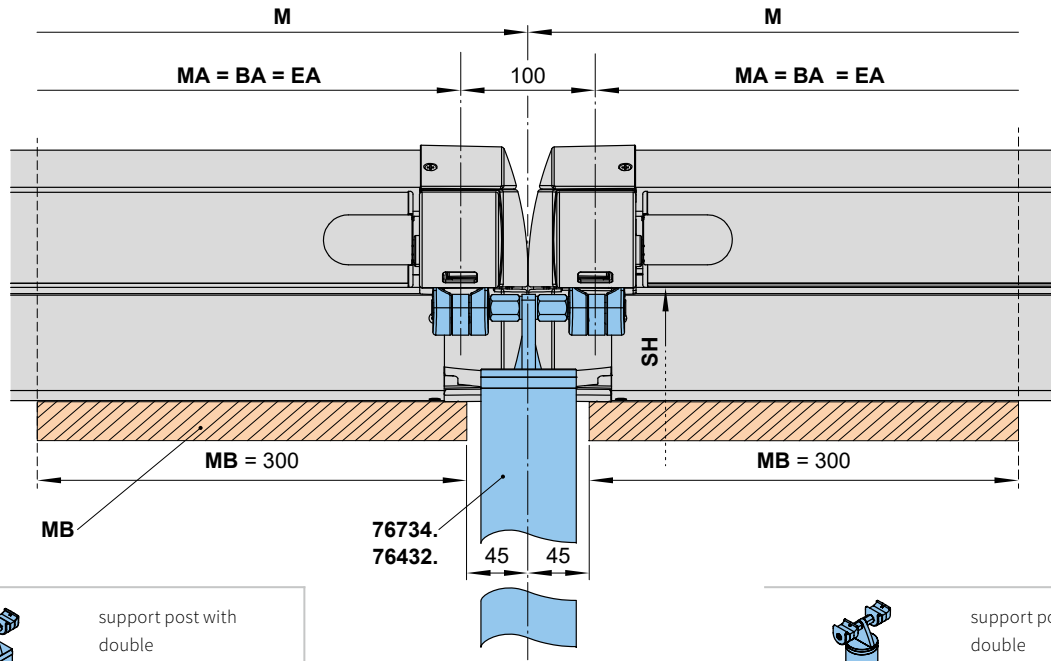
- \* = dimensions for rear cable exit on motor side (standard)
- \*\* = dimensions for bottom cable exit on motor side (optional)
- \*\*\* = dimensions for cable duct in case of lighting
- F3** = concrete foundation. Please refer to the section "Concrete foundations"
- HT** = bracket
- KH** = coupling bracket
- M** = overall awning width = **MA** + 10 cm
- (M)** = operation side, motor drive
- MA** = **order dimension** = blind fixture width = fixture width
- MB** = bracket fixture range

dimensions in mm

01  
02  
03  
04  
05  
06  
07  
08  
09  
10  
11  
12  
13

# 01 Overview of dimensions

Double track bracket for single units



support post with double track bracket  
square posts

76432.

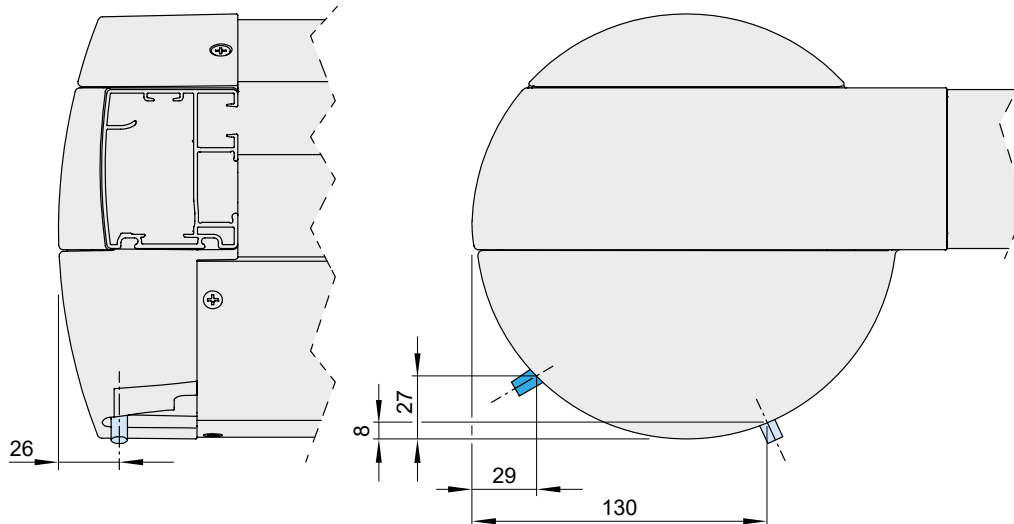


support post with double track bracket  
round posts

76734.

## Motor cable exit point <sup>1)</sup>

(bottom rear = standard)



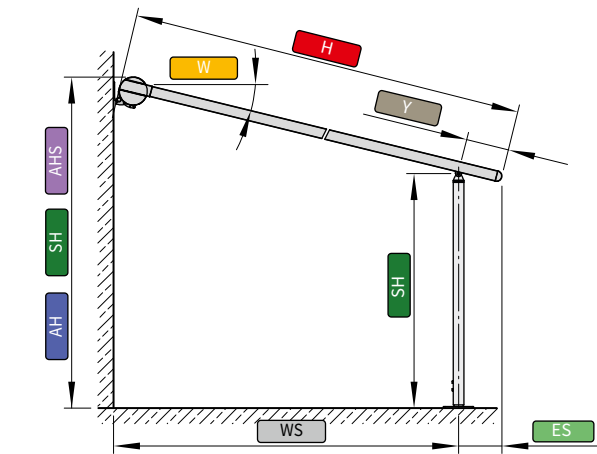
1) depending on the operation side, left or right

- 76734. = support post round with double track bracket
- 76432. = support post round with double track bracket
- BA = width between fixture points
- EA = single unit
- M = overall awning width = MA + 10 cm
- MA = **order dimension** = blind fixture width = fixture width
- MB = bracket fixture range

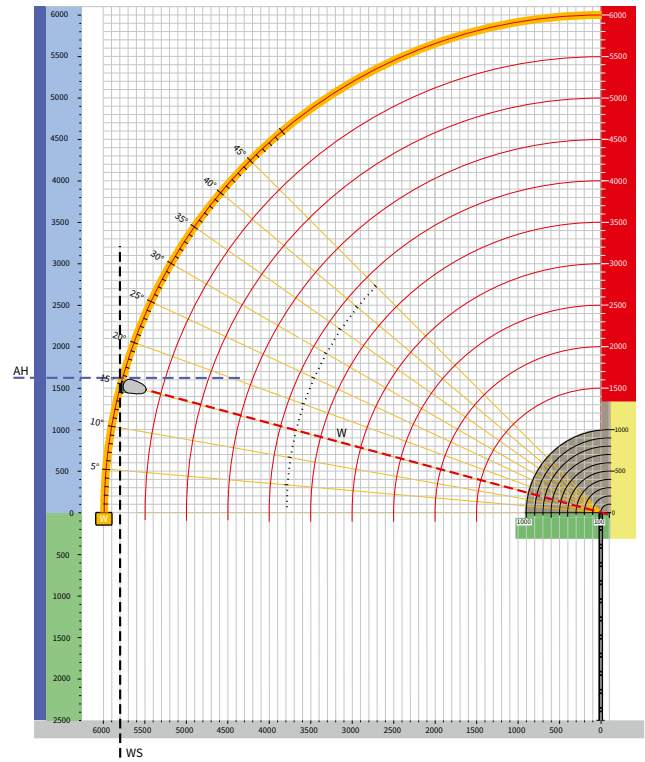
dimensions in mm

# Calculation of the approximate fixture height, examples

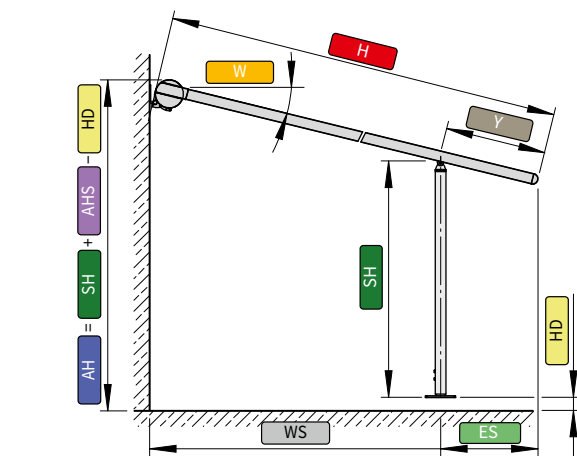
Example 1: front support posts pushed as far forward as possible,  $Y = 100 \text{ mm}$



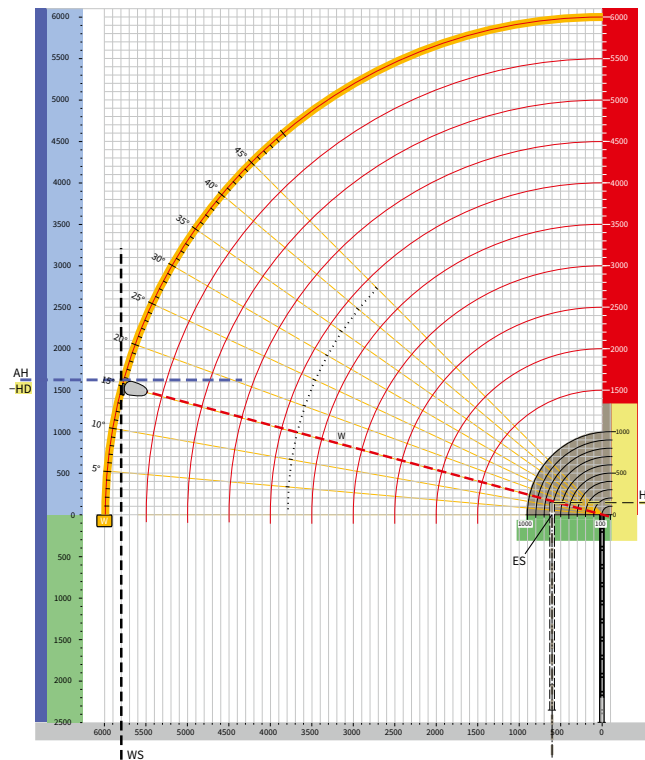
- ES = 100
- W = 15°
- H = 6000
- WS = 5800
- Y = 100
- SH = 2500
- AHS = 1620
- AH = SH + AHS = 2500 + 1620 = 4120



Example 2: front support posts pushed back,  $100 \text{ mm} \leq Y \leq 1000 \text{ mm}$



- ES = 700
- W = 15°
- H = 6000
- WS = 5200
- Y = 700
- HD = 130
- SH = 2500
- AHS = 1620
- AH = SH + AHS - HD = 2500 + 1620 - 130 = 3990



- ES = centre of support post to the  $\leftrightarrow$  leading edge of the front profile
- W = pitch
- H = extension
- WS = measurement from the wall  $\leftrightarrow$  support post
- Y = distance front support posts can be moved back
- HD = difference from the fixture height
- SH = support post height 2500 mm
- AHS = fixture height from the top edge of the support post
- AH = installation height

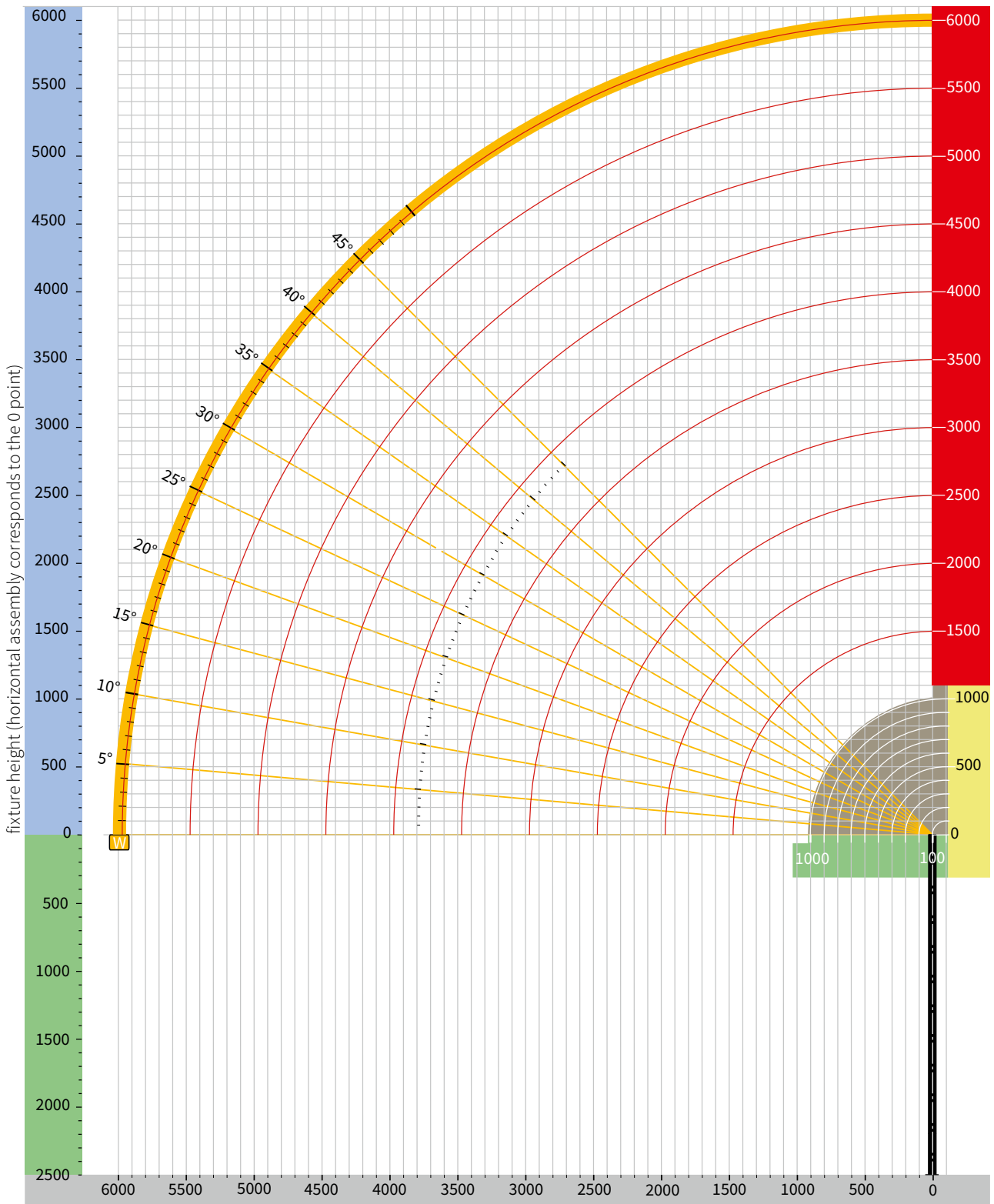
dimensions in mm

01  
02  
03  
04  
05  
06  
07  
08  
09  
10  
11  
12  
13

# 01 Calculation of the approximate fixture height

Drawing template

02  
03  
04  
05  
06  
07  
08  
09  
10  
11  
12  
13



**N.B!** An on-line tool to calculate the installation measurements can be found in the protected area of the website, [pro.markilux.com](http://pro.markilux.com).

dimensions in mm