



Cassette awning

## **markilux MX-3**

The sturdy cassette awning with a slender figure and contrasting visual features from round to square.

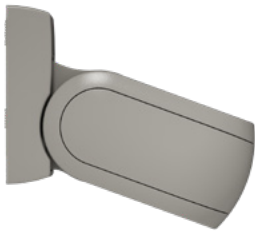
**01 Product characteristics**

Wind resistance class 2  
Beaufort 5 → 7.5-10.4 m/s → 28-37 km/h → 17-23 mph

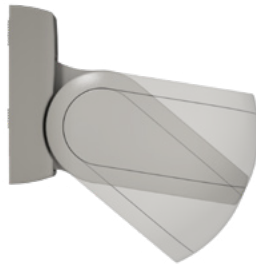
02  
03  
04  
05



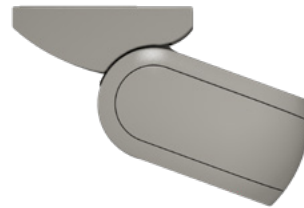
1 Face fixture



1 Face fixture, maximum pitch of 35°



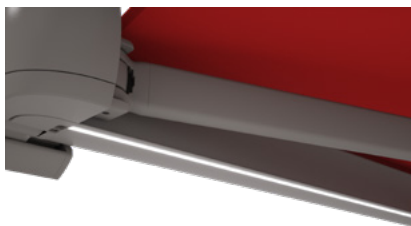
1 Top fixture



1 Top fixture, view from the rear



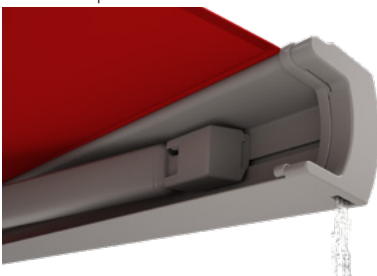
2 LED-Line recessed in the cassette <sup>1)</sup>



2 LED-Spots underneath the cassette <sup>1)</sup>



3 Unique water drainage system in the front profile



4 Wall sealing profile <sup>1)</sup>



5 Bionic tendon made of high-tech fibres for optimum power transference



1) optional configuration

## Product characteristics

01

### Description

- a slender, folding-arm full cassette awning exhibiting excellent technological features, which enables areas up to 6 m wide to be shaded.

02

### Special features

- self-supporting cassette profile with the brackets installed at each end of the awning – therefore suitable for bridging larger distances
- cassette with arms situated in front and at each end, which – when the awning is closed – are encompassed fully by the front profile lending a harmonious overall appearance to the awning
- the cassette obscures the view of the roller tube when the awning is extended
- option of directional LED-Spots fitted to the underside of the cassette which provide an appealing atmosphere in the evening
- various styling panel colours can be combined with the standard awning frame colours
- the brackets are hidden unobtrusively behind the awning

03

04

05

### Dimensions

- cassette in the standard version: depth 230 mm, height 120 mm
- single unit: minimum width 183 cm at the smallest projection of 150 cm, maximum width 500 cm at the largest projection of 350 cm or 600 cm at a maximum projection of 300 cm

### Roller tube and lateral bearings

- round roller tube Ø 85 mm with keyway, galvanised steel – excellent stability, ensures near perfect cover performance even at the largest widths
- the arm bearer is made of die-cast aluminium, powder coated, with integrated, infinitely variable pitch setting mechanism

### Awning profiles

- extruded aluminium, in façade quality, powder coated
- two-piece cassette with clever inner profile – providing the awning cover with optimum protection against the elements
- the lower cassette profile has a slot into which the LED Line can be recessed
- front profile, harmoniously rounded at the front with integrated gutter

### Folding arms

- profiles in extruded aluminium, in façade quality, powder coated
- moving parts made of drop-forged aluminium – the arms are therefore extremely fracture resistant
- pivot bolts in stainless steel run in Teflon-coated bronze bushes – practically maintenance free, virtually silent and extremely hard-wearing
- power transference via the innovative bionic tendon at the elbow joint, made of high tensile, high-tech fibres – low in friction, noiseless, insensitive to corrosion and UV resistant

### End caps

- the end cap insert sections are made of high-quality plastic, powder coated or in a polished chrome finish
- the front profile end caps are made of high-quality plastic, powder coated, with water drainage holes

### Fixture brackets

- face fixture, top fixture, eaves fixture
- extruded aluminium, powder coated
- also available in individual widths (on request)
- including caps made of high quality plastic to cover the face or top fixture brackets and their fixture bolts
- pitch range 5°-35° (face fixture) or 5°-70° (top or eaves fixture), infinitely variable
- spacer plates, stand-off brackets and other accessories are available

# 01 Frame, end cap insert and styling panel colours

markilux awning colours without surcharge

02  
03  
04  
05

traffic white, RAL 9016



metallic aluminium, RAL 9006



off-white textured finish, 5233 <sup>1)</sup>



stone grey metallic, 5215 <sup>1)</sup>



anthracite metallic, 5204 <sup>1)</sup>



Havana brown textured finish, 5229 <sup>1)</sup>



## Non-standard powder-coated finish

Bespoke frame colours incur a surcharge – matt, metallic, finely textured and pearl finishes as well as other colour ranges (DB, Tiger etc.) on request. All frame colours are available at a surcharge with enhanced corrosion protection.

<sup>1)</sup> textured finish

## Combination Possibilities

All standard styling panel colours can be combined at will with the standard frame colours <sup>2)</sup>

**Frame** stone grey metallic, 5215

**Styling panel / end cap insert** anthracite metallic, 5204



**Frame** off-white textured finish, 5233

**Styling panel / end cap insert** anthracite metallic, 5204



**Frame** traffic white, RAL 9016

**Styling panel / end cap insert** metallic aluminium, RAL 9006



**Frame** anthracite metallic, 5204

**Styling panel / end cap insert** stone grey metallic, 5215



<sup>2)</sup> depictions by way of example; The styling panel and end cap insert colours must be the same colour. Colours may differ slightly from those depicted in both hue and finish.

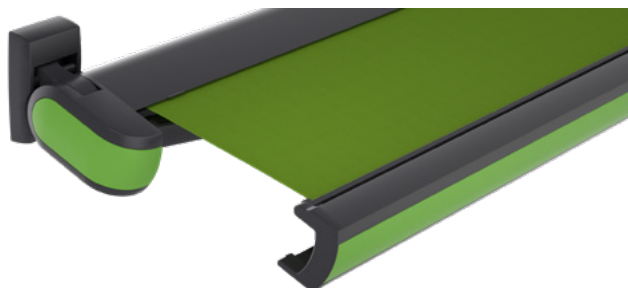
## Additional styling panel and end cap insert colours

The additional styling panel colours can be combined at will with all the standard frame colours <sup>1)</sup>

**Styling panel / end cap insert** yellow green, RAL 6018

**Frame** anthracite metallic, 5204

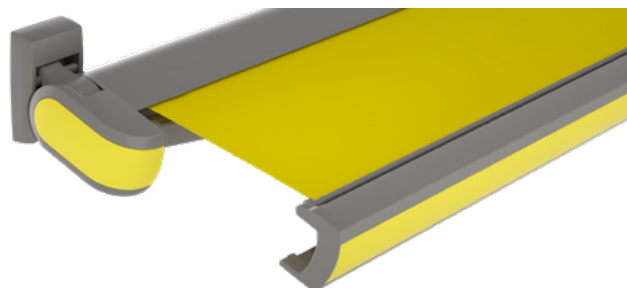
**Awning cover** 325 06



**Styling panel / end cap insert** sulphur yellow, RAL 1016

**Frame** stone grey metallic, 5215

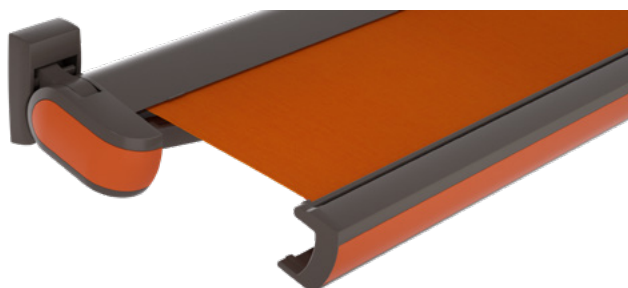
**Awning cover** 324 71



**Styling panel / end cap insert** red orange, RAL 2001

**Frame** Havana brown textured finish, 5229

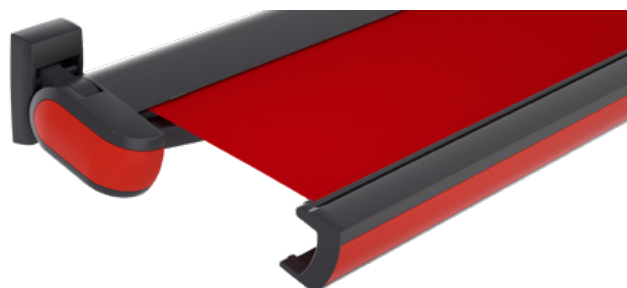
**Awning cover** 309 12



**Styling panel / end cap insert** traffic red, RAL 3020

**Frame** anthracite metallic, 5204

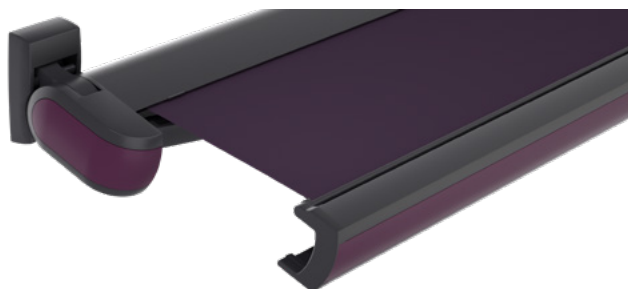
**Awning cover** 310 03



**Styling panel / end cap insert** purple violet, RAL 4007

**Frame** anthracite metallic, 5204

**Awning cover** 310 54



**Styling panel / end cap insert** pearl white, RAL 1013

**Frame** off-white textured finish, 5233

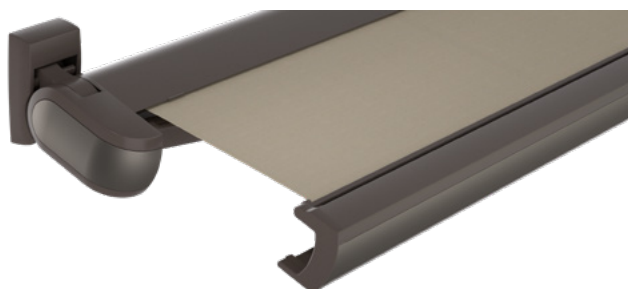
**Awning cover** 309 37



**Styling panel / end cap insert** pearl mouse grey, RAL 7048

**Frame** Havana brown textured finish, 5229

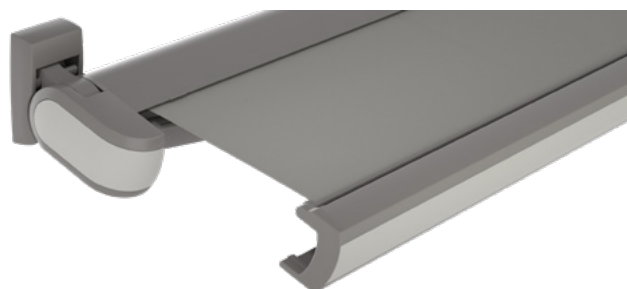
**Awning cover** 314 87



**Styling panel / end cap insert** agate grey, RAL 7038

**Frame** stone grey metallic, 5215



**Awning cover** 315 92



**1)** depictions by way of example; The fabric and styling panel in a matching colour; styling panel and end cap insert colours must be the same colour. Colours may differ slightly from those depicted in both hue and finish.

# 01 Dimensions and configuration options

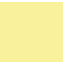
## Single unit


Order dimensions	Awning width								Minimum widths	
	250	300	350	400	450	500	550	600	Motor	Crank handle
	183 250	251 300	301 350	351 400	401 450	451 500	501 550	551 600		
<b>H</b>	150	1) 150							191	183
	200	1) 200							233	233
	250	—	1) 250						283	283
	300	—	—	1) 300					333	333
	350	—	—	—	1) 350		—	—	383	383

dimensions in cm

1) = please note the minimum widths!

H = projection

 = 2 folding arms,  
2 brackets

 = 2 standard arms

### Operation

	standard	optional	Coupled Awning
manual operation	✓	—	not available
spring-assisted crank handle	—	✓	
hard-wired motor	—	✓	
silentec motor (optionally with an external io / RTS receiver)	—	—	
radio-controlled motor io, 868 MHz	—	✓	
radio-controlled motor RTS, 433 MHz	—	✓	
radio-controlled motor RTS, 433 MHz with manual override	—	—	

### Awning cover

	fabric range no.	standard	optional	Shadeplus / drop valance
sunvas	301.. / 309..-315..	✓	—	not available
perla	370 ..	—	✓	
sunsilk	324.. / 325.. / 328.. / 369..	✓	—	
perla FR	374.. / 375..	—	✓	
perfotex	331.. / 332..	—	—	
transolair	338.. / 339 ..	—	—	
vuscreen Alu	317..	—	—	
Soltis Perform 92	92-20..	—	—	
glass fibre screen	272..	—	—	
valance		—	—	

**Optional accessories**

LED-Line recessed in the cassette
LED-Spots underneath the cassette
wall sealing profile, up to a maximum awning pitch of 35°
infrared heater 2500 W
infrared heater 2500 W with integrated radio-controlled receiver, 868 MHz io
automatic controls (light, wind, rain)

**N.B!** Important background information can be found in the chapter "Optional Accessories".

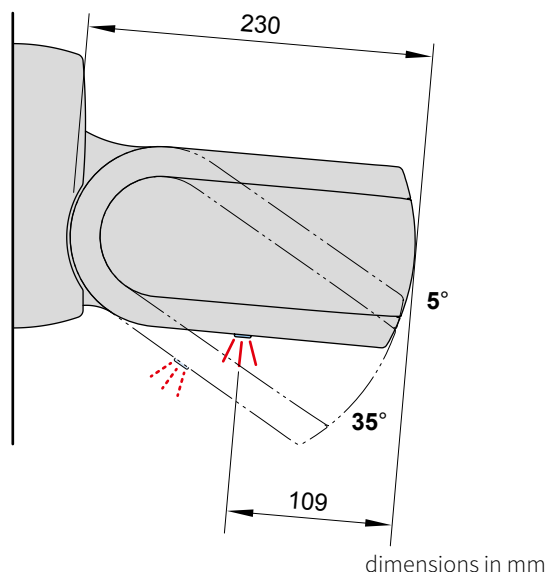
**Fixture options**

face fixture bracket with cover, left 100 mm	75885.
face fixture bracket with cover, right 100 mm	75886.
face fixture bracket left 300 mm	75877.
face fixture bracket right 300 mm	75878.
spreader plate A 430 × 160 × 12 mm	75326.
spreader plate B 300 × 400 × 12 mm	75325.
markilux panel 250 × 230 × 49 mm	76308.
markilux panel, by the metre	76380.
stand-off bracket 80–300 mm for face fixture bracket 100 mm	72872.
stand-off bracket 80–300 mm for face fixture bracket 300 mm	77968.
top fixture bracket with cover, left 100 mm	75887.
top fixture bracket with cover, right 100 mm	75888.
eaves fixture bracket 90 mm, 150 mm plate	75889.
eaves fixture bracket 90 mm, 270 mm plate	71659.
flat plate and angled bracket for eaves fixture, machine finish aluminium, 500 mm plate	716620
spreader plate 260 × 60 × 12 mm for eaves fixture bracket	75383.

01  
02  
03  
04  
05

**Lighting options**

LED-Line recessed in the cassette

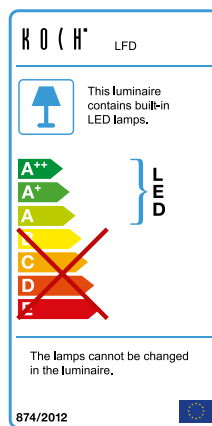


**Technical specification**

operating voltage	230 V, 50 Hz
power output per metre	10 W / metre
number of LEDs per metre	120 LEDs / metre
light source	LED (12 V)
number of transformers	1 unit
light temperature	3200 K
IP protection class	IP 44
service life	approx. 15,000 h

**Controls**

	Standard	Optional
radio-controlled dimmer io, 868 MHz	✓	—
radio-controlled dimmer RTS, 433 MHz	✓	—



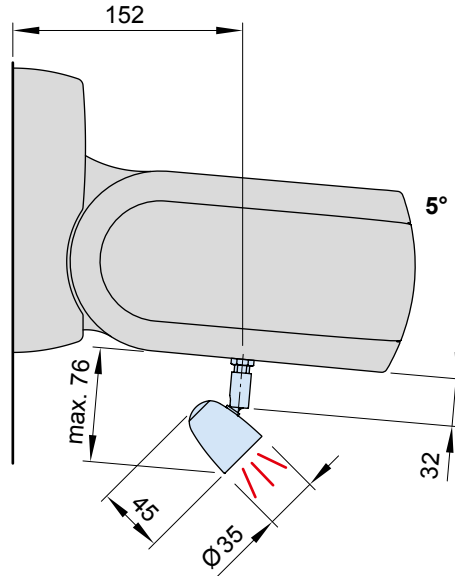
**Electrical connection:**

power supply cable H05RN-F 3G1 (3 × 1 mm<sup>2</sup>) with open end

# 01 Lighting options

Directional LED spotlights underneath the cassette

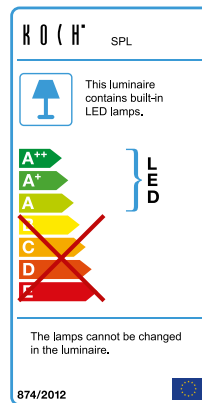
02  
03  
04  
05



dimensions in mm

### Technical specification

operating voltage	230 V, 50 Hz
power output of one LED spotlight	5 W
light source	LED (12 V)
number of transformers	1 unit
light temperature	2700 K
IP protection class	IP 44
service life	approx. 20,000 h



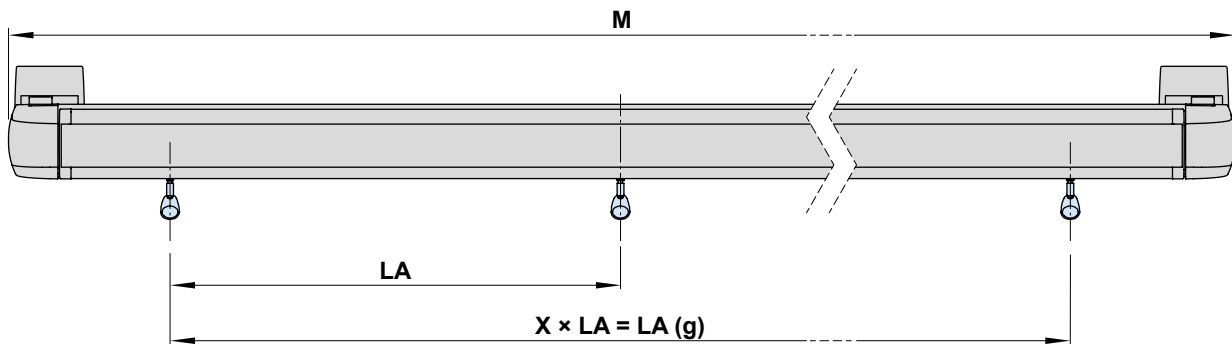
### Controls

Standard Optional

Radio-controlled dimmer io, 868 MHz	✓	—
Radio-controlled dimmer RTS, 433 MHz	✓	—

### Electrical connection:

power supply cable H05RN-F 3G1  
(3 × 1 mm<sup>2</sup>) with open end



awning width	no. of spotlights	LA	LA (g)
195-250	3	75	150
251-300	3	98	196
301-350	3	98	196
351-400	4	98	294
401-450	4	98	294
451-500	5	98	392
501-550	5	98	392
551-600	6	98	490

**LA (g)** = distance between the spotlights (total)  
**M** = order dimension = awning width  
**X** = number of distances between the spots  
 (depends on size)

dimensions in cm

## No of brackets | No. of fixing points

		Awning width							
		250	300	350	400	450	500	550	600
Order dimensions		195	251	301	351	401	451	501	551
		250	300	350	400	450	500	550	600
BHT		No of brackets   No. of fixing points							
W	10	2   6							
BP		A 2   16    B 2   8							
PA		2   8							
DA / DE	10	2   8							

The **pull-out forces** necessary for determining the correct fixing materials necessary to meet wind resistance class 2 (Beaufort 5) can be found in the password-protected dealer area of the markilux.com website under "Pull-out Forces".

dimensions in cm

**BHT** = bracket width

**BP** = spreader plate (A / B)

**DA** = eaves fixture bracket

**DE** = top fixture

**PA** = markilux panel, fixture profile, width 250 mm

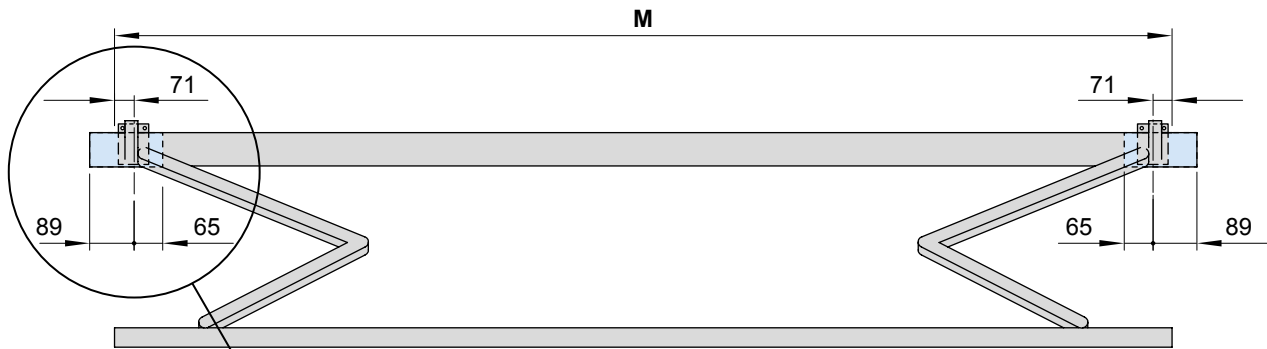
**GB** = top fixture bracket

**W** = face fixture bracket

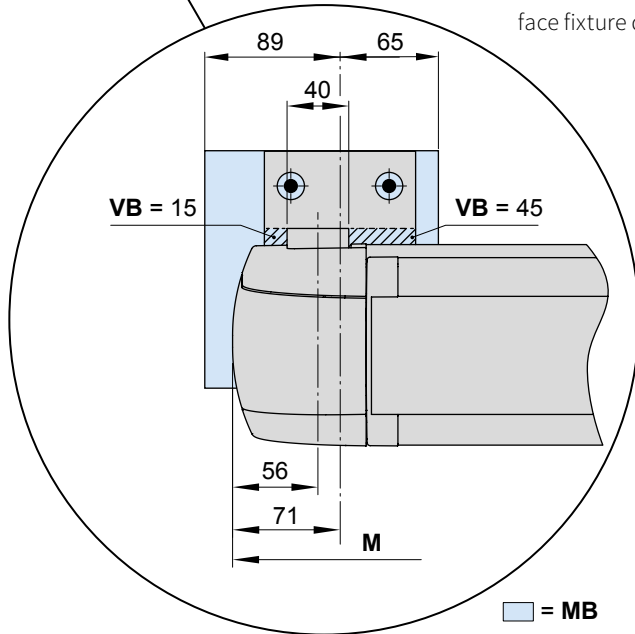
# 01 Bracket fixture range

## Face and top fixture

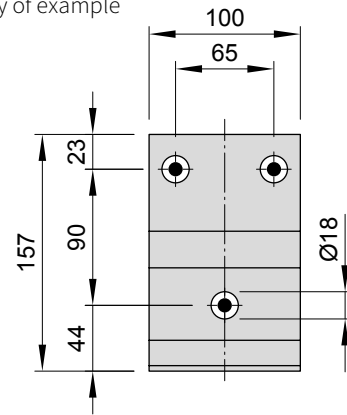
02  
03  
04  
05



face fixture depicted by way of example

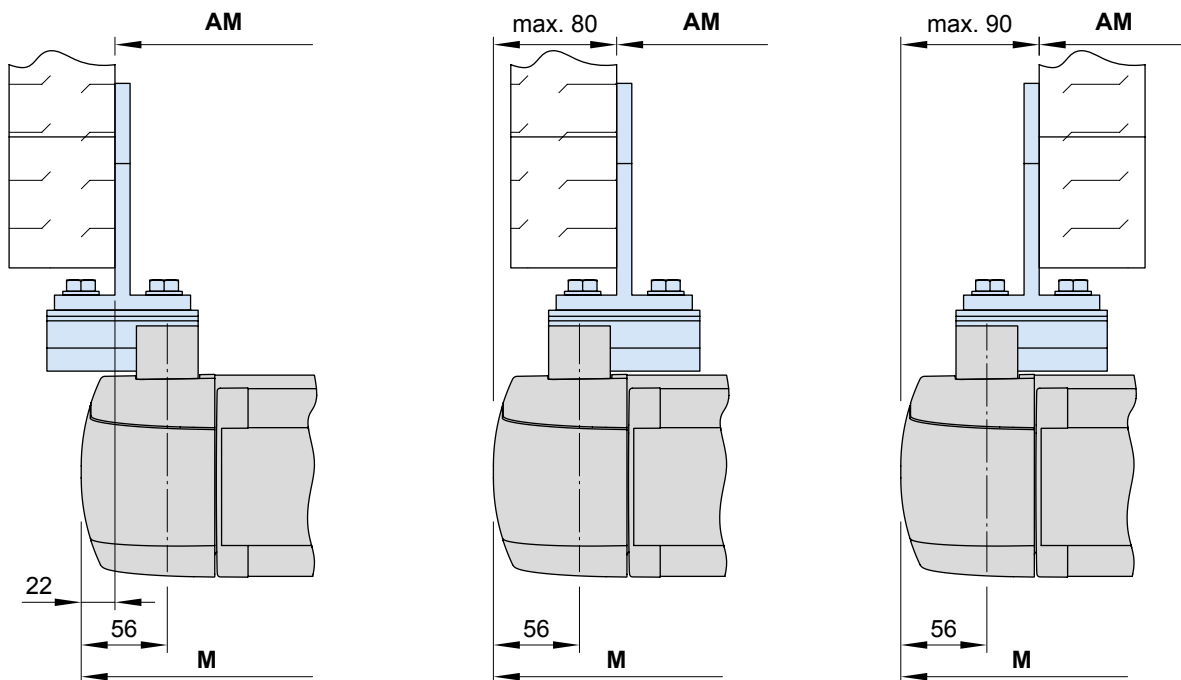


■ = MB



The **pull-out forces** necessary for determining the correct fixing materials necessary to meet wind resistance class 2 (Beaufort 5) can be found in the password-protected dealer area of the markilux.com website under "Pull-out Forces".

## Eaves fixture

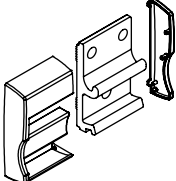
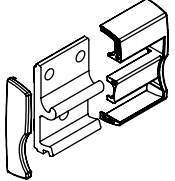
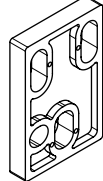
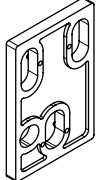
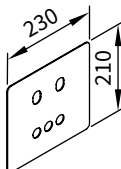
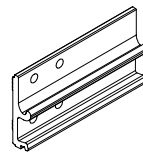
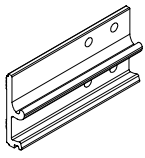
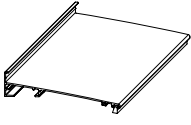
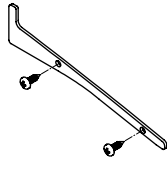


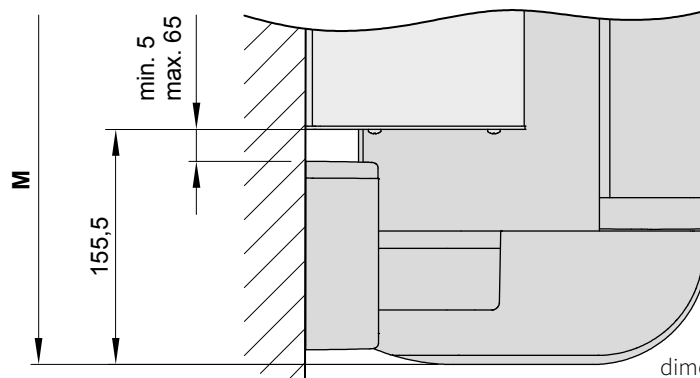
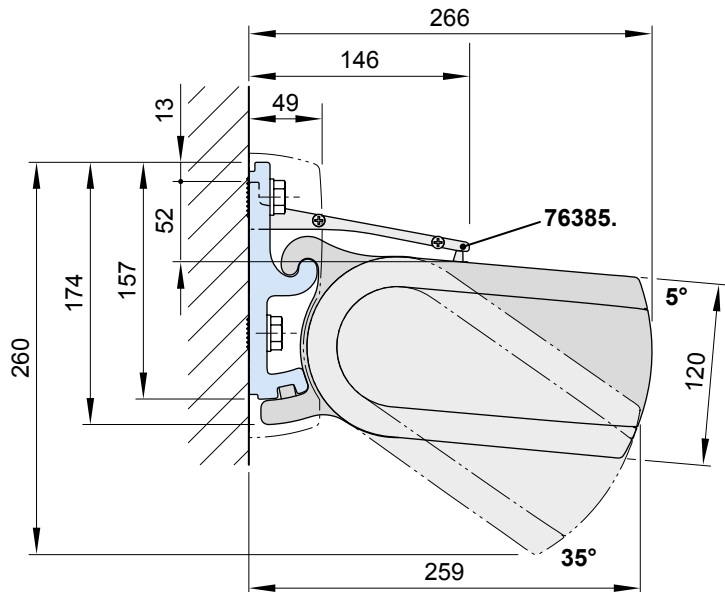
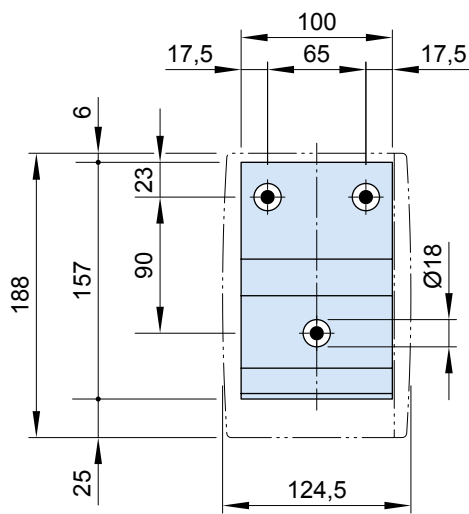
M = order width = awning width  
MB = bracket fixture range

VB = adjustment range face fixture bracket  
AM = installation dimensions  
dimensions in mm

# Face fixture

## Fixtures, fittings and accessories

 <p>face fixture bracket cover cap left 100 mm</p> <p><b>75885.</b></p>	 <p>face fixture bracket cover cap right 100 mm</p> <p><b>75886.</b></p>	 <p>spacer plate 100 × 150 × 20 mm <b>N.B!</b> Stack to a max. height of 200 mm</p> <p><b>758831</b></p>
 <p>spacer plate 100 × 150 × 12 mm</p> <p><b>758841</b></p>	 <p>cover plate for spacer plate and stand-off brackets in the case of external insulation 230 × 210 × 2 mm</p> <p><b>71843.</b></p>	 <p>face fixture bracket left 300 mm</p> <p><b>75877.</b></p>
 <p>face fixture bracket right 300 mm</p> <p><b>75878.</b></p>	 <p>wall sealing profile incl. brush seal by the metre</p> <p><b>76385. and 704241</b></p>	 <p>1 side plate including 2 pan-head self-tapping screws for wall sealing profile</p> <p><b>76386. and 2 × 735611</b></p>



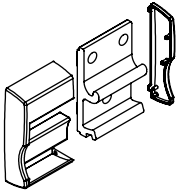
**76385.** = wall sealing profile (standard width = awning width (M) - 311 mm; up to a maximum awning pitch of 35°)  
**M** = order width = awning width

dimensions in mm

# 01 Face fixture with spreader plate A

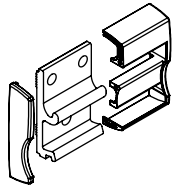
## Fixtures, fittings and accessories

02  
03  
04  
05



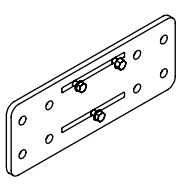
face fixture bracket cover cap  
left  
100 mm

**75885.**



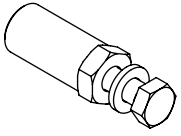
face fixture bracket cover cap  
right  
100 mm

**75886.**



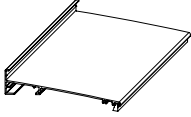
spreader plate A  
430 × 160 × 12 mm

**75326.**



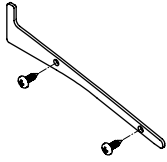
bolt reduction assembly  
pack 10 pcs

M 16 → M 12 | M 16 → M 10 | M 12 → M 10 | M 10 → M 10



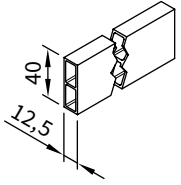
wall sealing profile incl. brush seal  
by the metre

**76385. and 704241**



1 side plate including 2 pan-head self-tapping screws for wall sealing profile

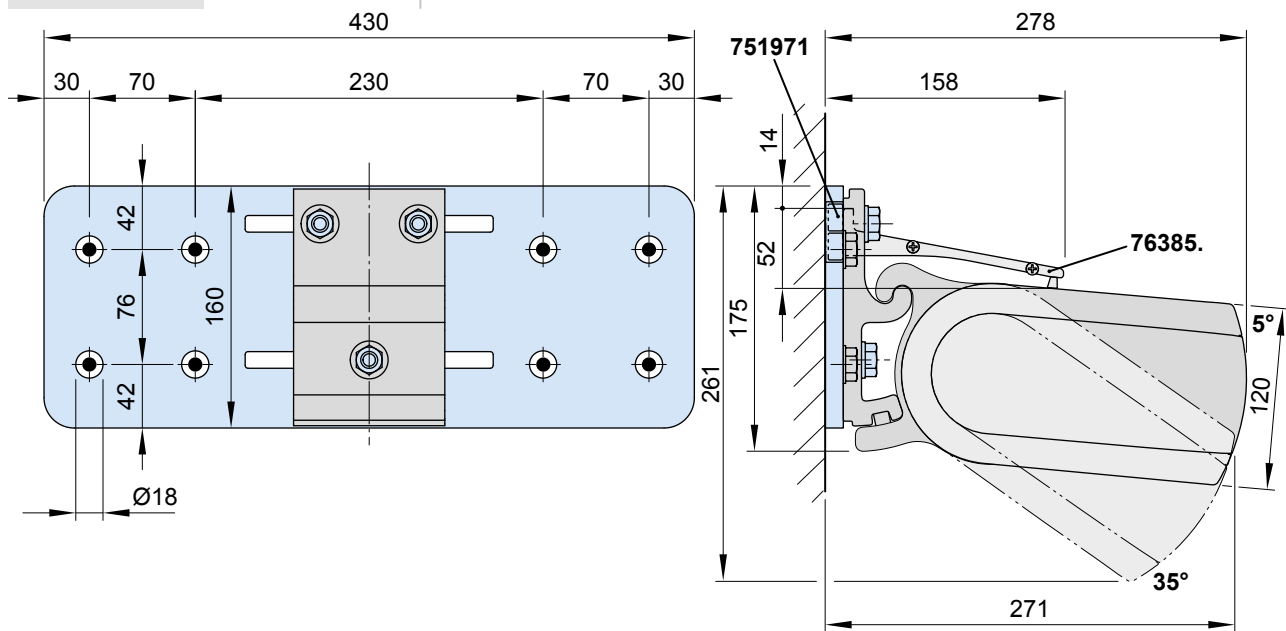
**76386. and 2 × 735611**



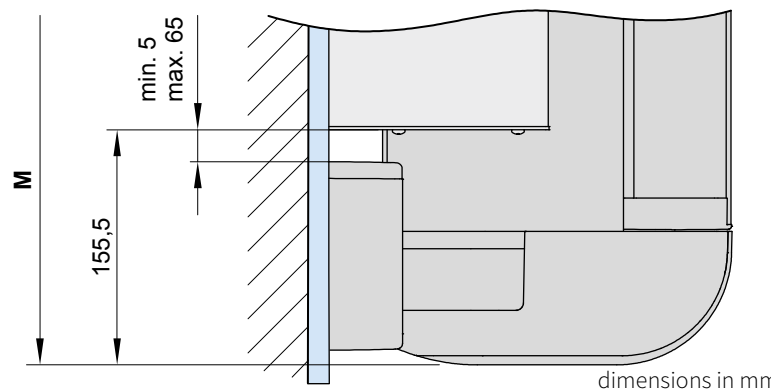
stand-off strip for wall sealing profile  
available by the metre

40  
12,5

**751971**



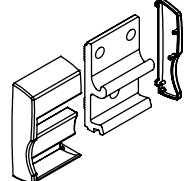
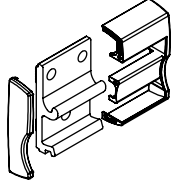
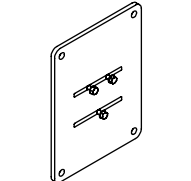

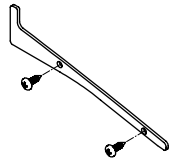
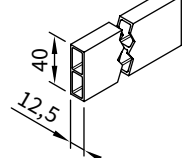
- 751971** = stand-off strip for wall sealing profile
- 76385.** = wall sealing profile (standard width = awning width (M) – 311 mm; up to a maximum awning pitch of 35°)
- M** = *order width* = awning width

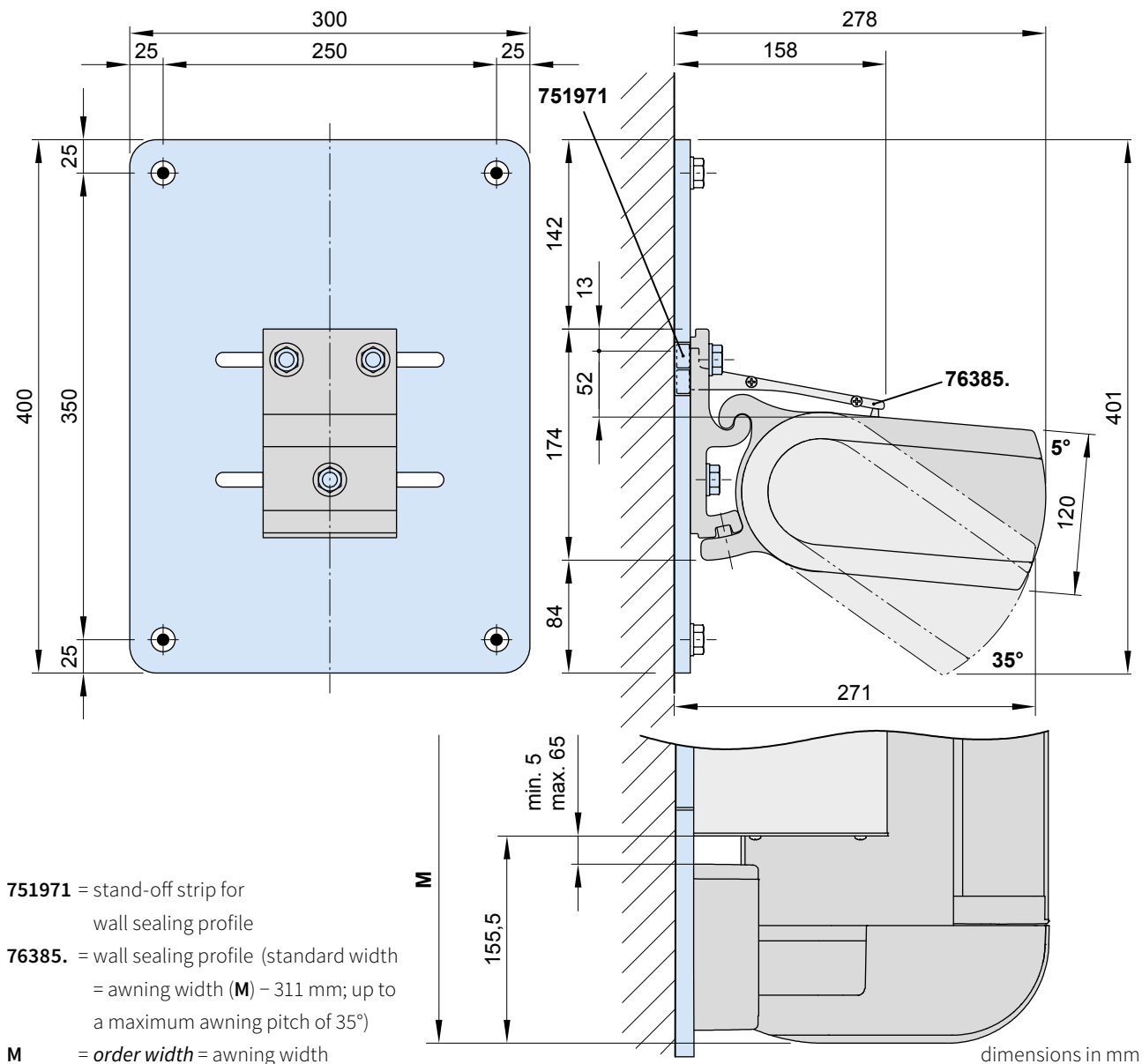


dimensions in mm

# Face fixture with spreader plate B

Fixtures, fittings and accessories

 <p>face fixture bracket cover cap left 100 mm</p> <p><b>75885.</b></p>	 <p>face fixture bracket cover cap right 100 mm</p> <p><b>75886.</b></p>	 <p>spreader plate B 300 × 400 × 12 mm</p> <p><b>75325.</b></p>
 <p>wall sealing profile incl. brush seal by the metre</p> <p><b>76385. and 704241</b></p>	 <p>1 side plate including 2 pan-head self-tapping screws for wall sealing profile</p> <p><b>76386. and 2 × 735611</b></p>	 <p>stand-off strip for wall sealing profile available by the metre</p> <p><b>751971</b></p>



01  
02  
03  
04  
05

# 01 Face fixture using the markilux panel 250 mm width

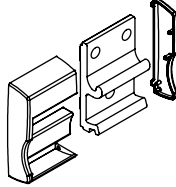
## Fixtures, fittings and accessories

02  
03  
04  
05



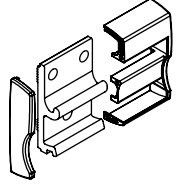
markilux panel fixture profile,  
with decorative profiles and end caps  
250 × 230 × 49 mm

**76308.**



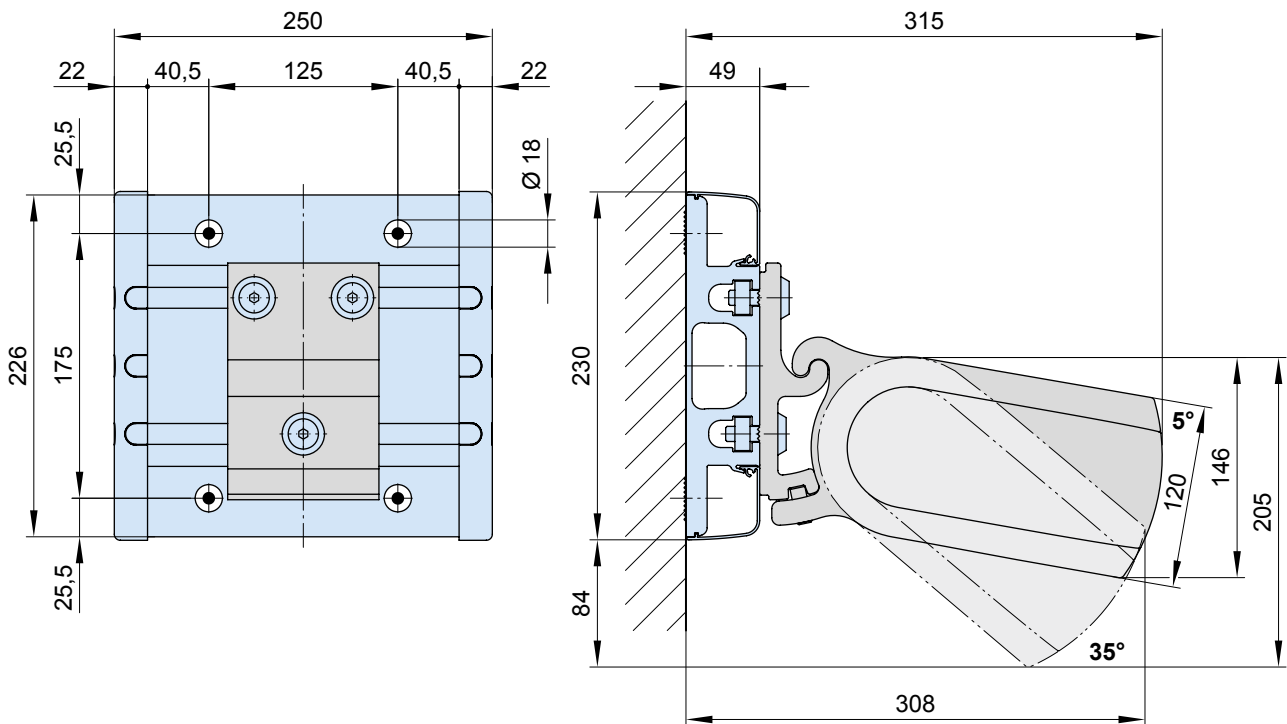
face fixture bracket cover cap  
left  
100 mm

**75885.**



face fixture bracket cover cap  
right  
100 mm

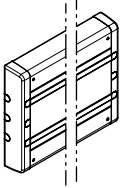
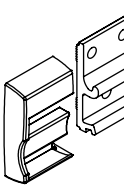
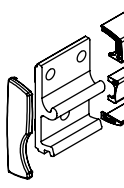
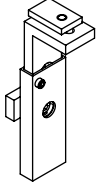
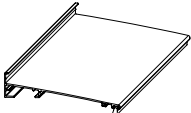
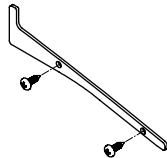
**75886.**



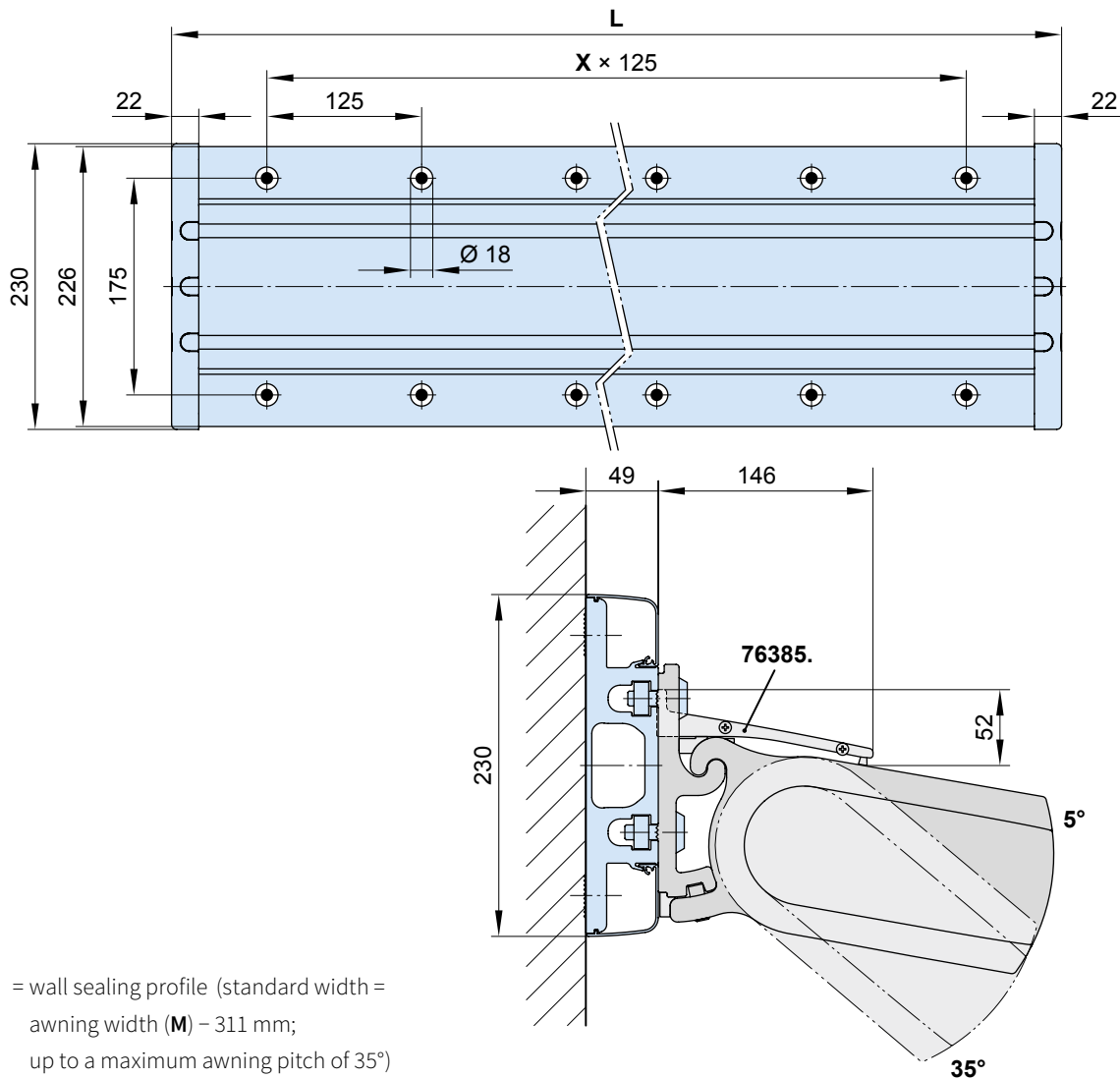
dimensions in mm

## Continuous face fixture using the markilux panel

### Befestigung und Zubehör

 <p>markilux panel fixture profile, with decorative profiles and end caps continuous</p> <p><b>76380.</b></p>	 <p>face fixture bracket cover cap left 100 mm</p> <p><b>75885.</b></p>	 <p>face fixture bracket cover cap right 100 mm</p> <p><b>75886.</b></p>
 <p>bracket wall sealing profile small</p> <p><b>76468.</b></p>	 <p>wall sealing profile incl. brush seal by the metre</p> <p><b>76385. und 704241</b></p>	 <p>1 side plate including 2 pan-head self-tapping screws for wall sealing profile</p> <p><b>76386. und 2 × 735611</b></p>

As a **continuous fixture profile**, the markilux panel will always be supplied to order on the basis of a technical drawing prepared in the factory in accordance with the awning specification.



**76385.** = wall sealing profile (standard width = awning width (**M**) – 311 mm; up to a maximum awning pitch of 35°)

**L** = maximum width 7000 mm (standard **L** = **M** + 20 mm)

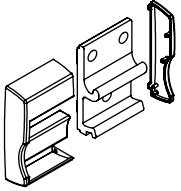
**X** = fixing point separation, **by way of example**

dimensions in mm

# 01 Face fixture with stand-off bracket

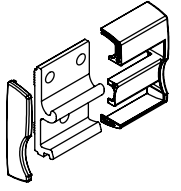
## Fixtures, fittings and accessories

02  
03  
04  
05



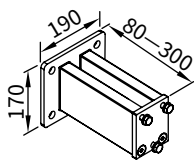
face fixture bracket cover cap  
left  
100 mm

**75885.**



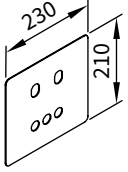
face fixture bracket cover cap  
right  
100 mm

**75886.**



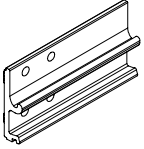
stand-off bracket for 100 mm face fixture brackets  
75885. and 75886.

**72872.**



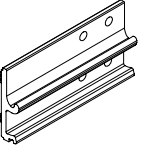
cover plate for spacer plate and stand-off bracket 72872.  
in the case of external insulation  
230 × 210 × 2 mm

**71843.**



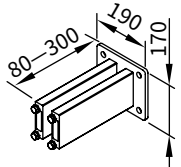
face fixture bracket left  
300 mm

**75877.**



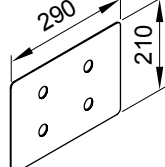
face fixture bracket right  
300 mm

**75878.**



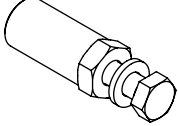
stand-off bracket for 300 mm face fixture brackets  
75877. and 75878.

**77968.**



cover plate for spacer plate and stand-off bracket 77968.  
in the case of external insulation  
290 × 210 × 2 mm

**71841.**



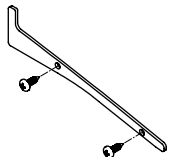
bolt reduction assembly  
pack 10 pcs

M 16 → M 12 | M 16 → M 10 | M 12 → M 10 | M 10 → M 10



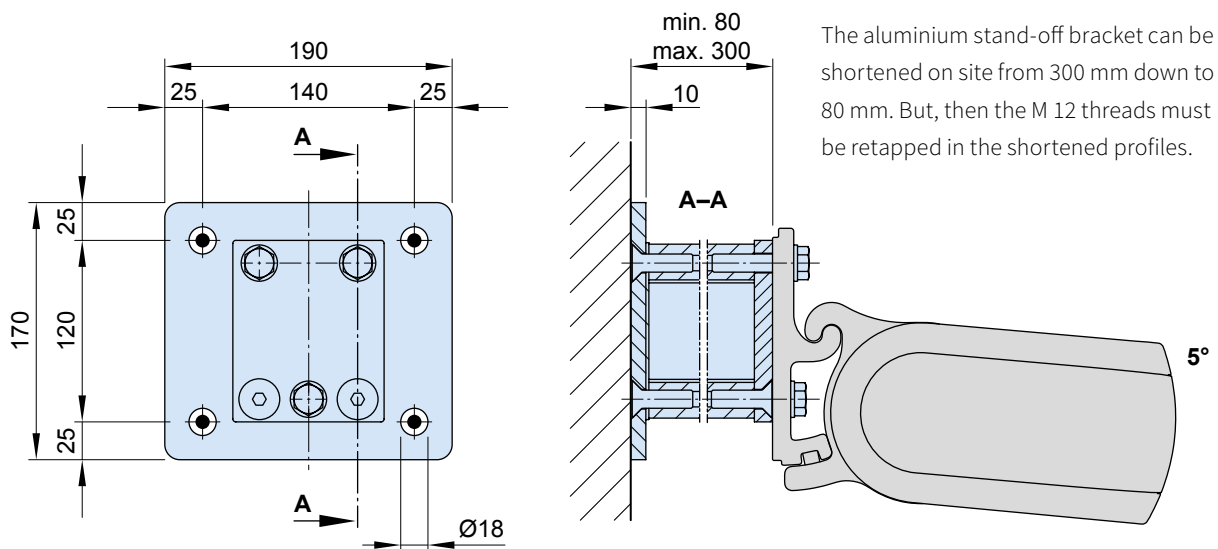
Wall sealing profile incl. brush seal when installing with a coverboard  
available by the metre

**76385. and 704241**



1 side plate including 2 pan-head self-tapping screws for wall sealing profile

**76386. and 2 × 735611**



The aluminium stand-off bracket can be shortened on site from 300 mm down to 80 mm. But, then the M 12 threads must be retapped in the shortened profiles.

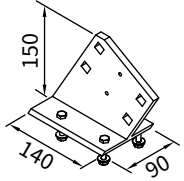
dimensions in mm



**01 Eaves fixture**

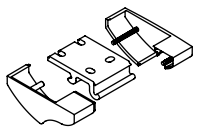
Fixtures, fittings and accessories

02  
03  
04  
05



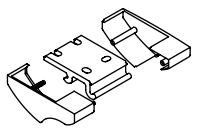
eaves fixture bracket  
height of flat plate:  
150 mm

**75889.**



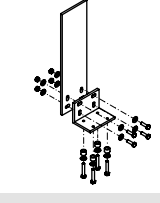
top fixture bracket  
cover cap  
left  
100 mm

**75887.**



top fixture bracket  
cover cap  
right  
100 mm

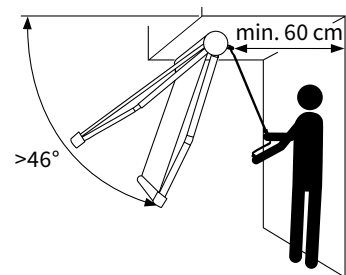
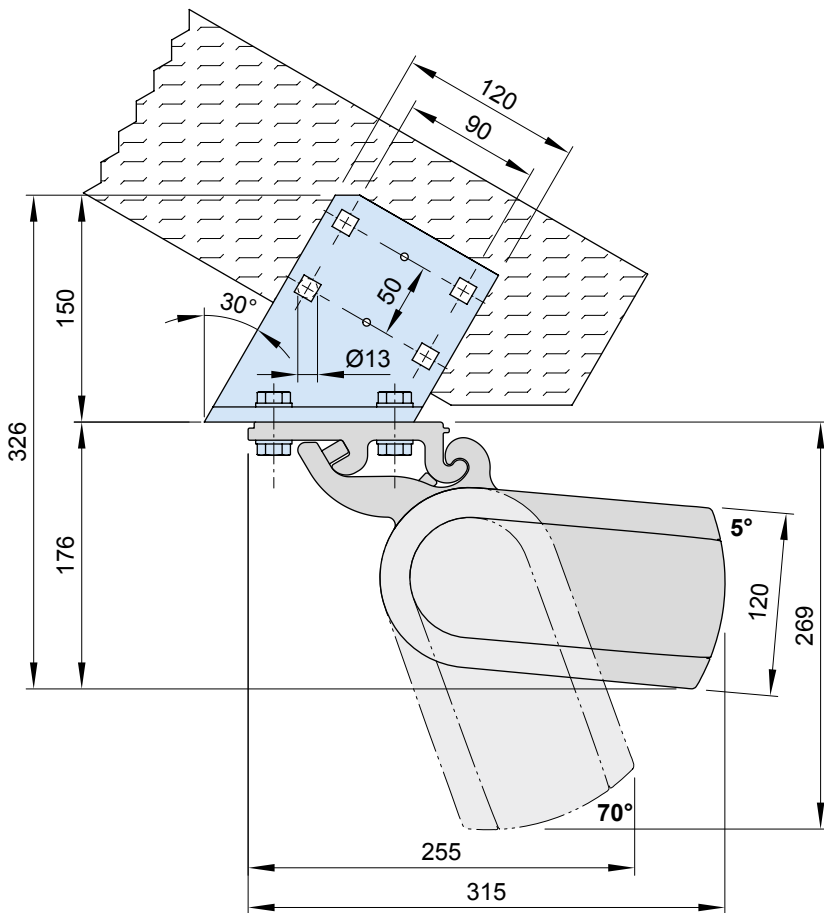
**75888.**



flat plate and angled  
bracket for eaves fixture  
height of flat plate:  
500 mm  
machine finish

**716620**

With eaves fixture bracket, top flat plate 150 mm (75889.)

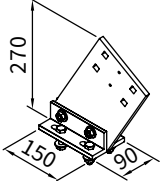


**N.B!** At a pitch of more than 46° to the horizontal there must be an area accessible behind the awning at least 60 cm deep to allow manual operation.

dimensions in mm

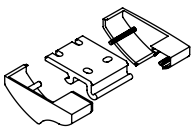
# Eaves fixture

## Fixtures, fittings and accessories



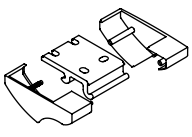
eaves fixture bracket  
height of flat plate:  
270 mm

**71659.**



top fixture bracket  
cover cap  
left  
100 mm

**75887.**

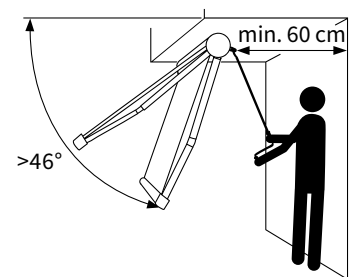
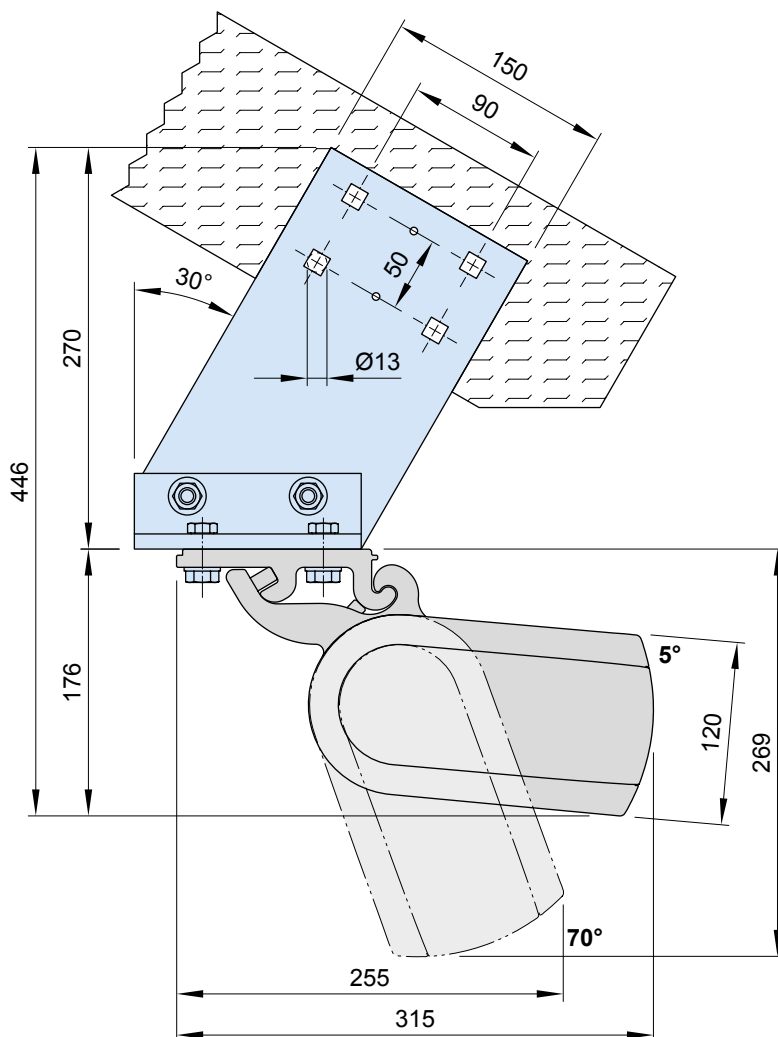


top fixture bracket  
cover cap  
right  
100 mm

**75888.**

01  
02  
03  
04  
05

With eaves fixture bracket, top flat plate 270 mm (71659.)



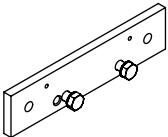
**N.B!** At a pitch of more than 46° to the horizontal there must be an area accessible behind the awning at least 60 cm deep to allow manual operation.

dimensions in mm

# 01 Eaves fixture with additional plate

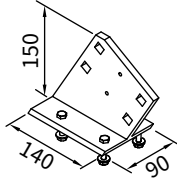
## Fixtures, fittings and accessories

02  
03  
04  
05



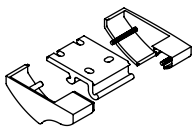
supplementary flat plate  
for eaves fixture  
260 × 60 × 12 mm

**75383.**



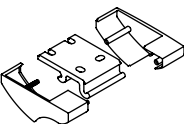
eaves fixture bracket  
height of flat plate:  
150 mm

**75889.**



top fixture bracket  
cover cap  
left  
100 mm

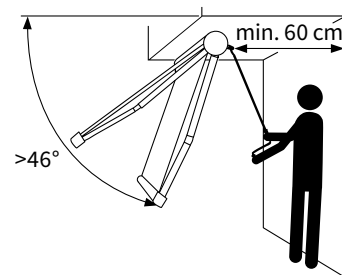
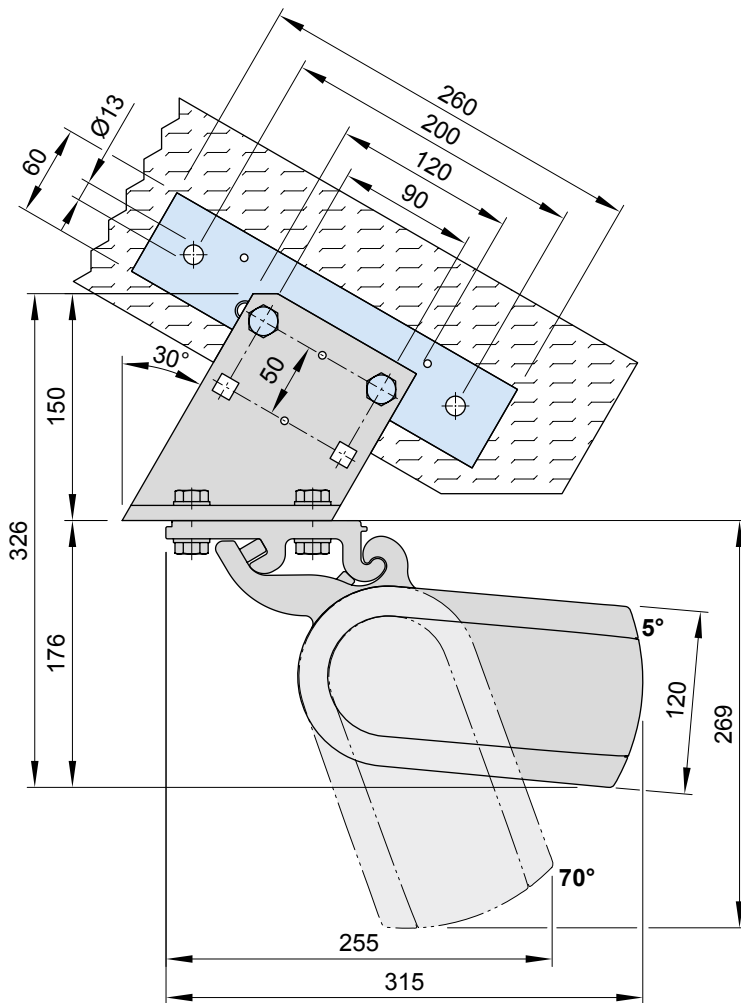
**75887.**



top fixture bracket  
cover cap  
right  
100 mm

**75888.**

With eaves fixture bracket, top flat plate 150 mm (75889.)



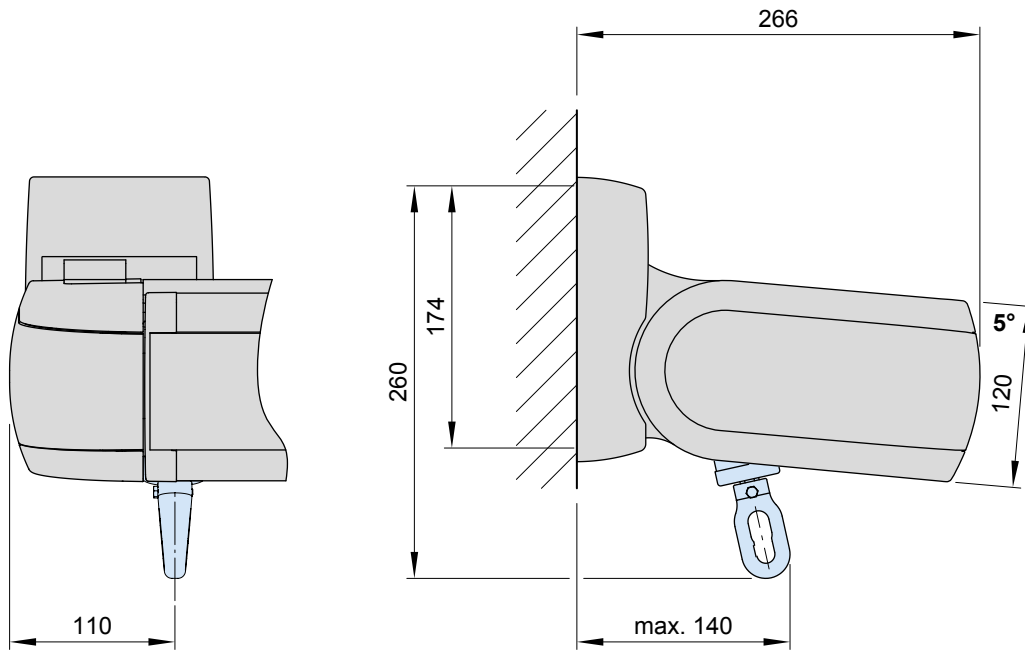
**N.B!** At a pitch of more than 46° to the horizontal there must be an area accessible behind the awning at least 60 cm deep to allow manual operation.

dimensions in mm



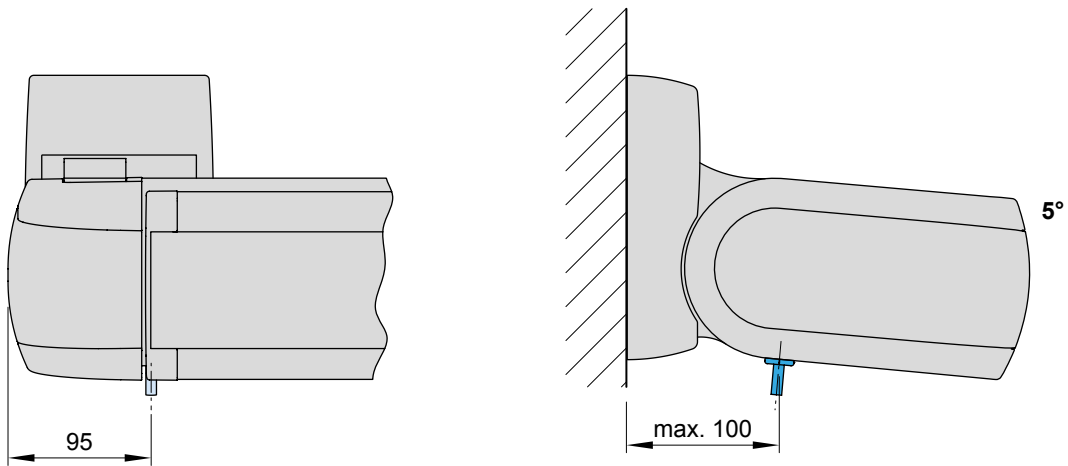
**01 Face fixture, manual operation <sup>1)</sup>**

02  
03  
04  
05

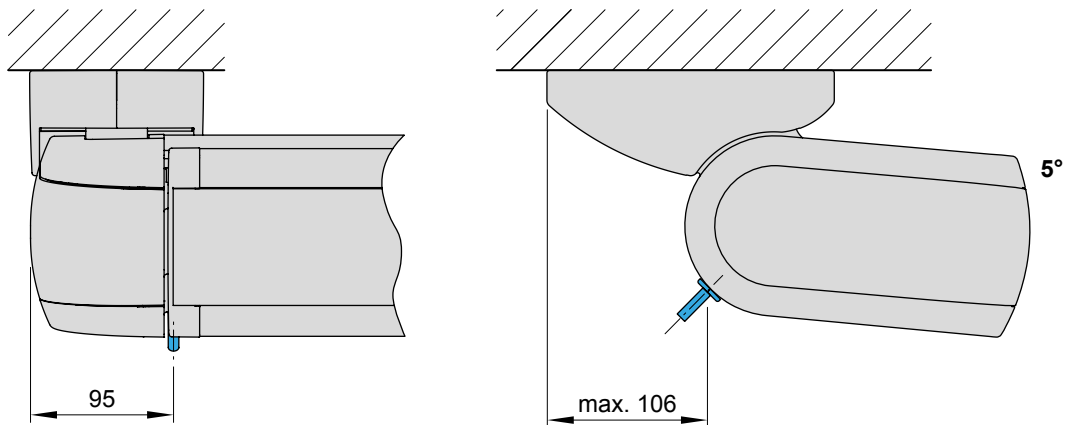


**Motor / lighting cable exit point <sup>1) 2)</sup>**

Face fixture



Top fixture



1) depending on the operation side, left or right

2) depending on the accessories ordered, one or two power supply cables (awning motor | lighting)

dimensions in mm