

Gary Buchanan

---

A1226

**Subject:**

FW: Parkview Surgery- South Tyrone Hospital

**Attachments:**

STH\_Parkview Surgery - As Constructed.pdf; Crossmaglen HC - MDT Works.pdf

From: Daly, Gary <Gary.Daly@southerntrust.hscni.net>

Sent: 19 February 2026 10:06

To: Gary Buchanan <gary.buchanan@anderson-interiors.co.uk>

Subject: RE: ~~Parkview Surgery- South Tyrone Hospital~~

Gary,

As discussed Crossmaglen also attached.

Regards,

Gary Daly

Assistant Head of Estates Development Services SHSCT, Estates Services Building, Lurgan Hospital, 100 Sloan Street, Lurgan, BT66 3NX

DDL: 028 37563730

Mobile: 07776998665

Email: gary.daly@southerntrust.hscni.net

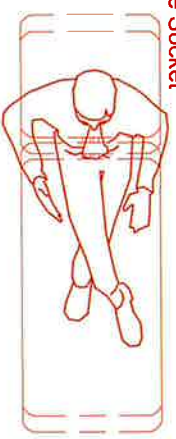
S/Ls 6650 4800 approx

SBB-01-A-018  
Corridor  
10.59

bin bin

Privacy Film to window  
to match existing

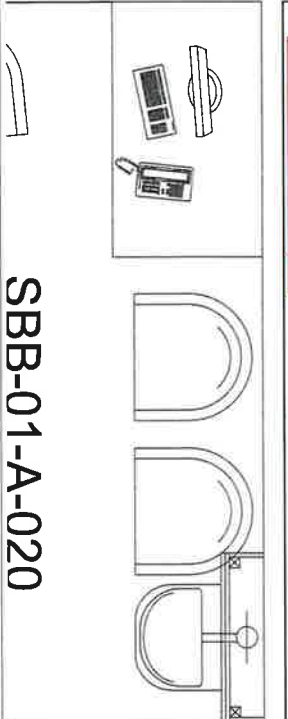
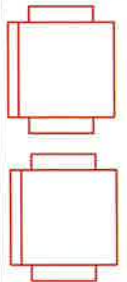
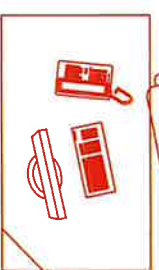
New Double Socket



New Curtain Rail

SBB-01-A-019  
Physio Room  
18.6

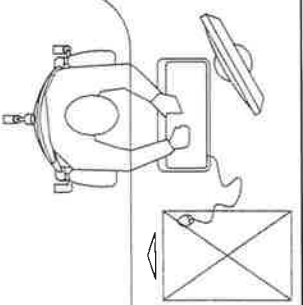
Existing data points to be linked to SHSCT switch



SBB-01-A-020

SBB-01-A-022  
Office  
15.93

Printer



SBB-01-A-00  
Office  
14.15

**HSC** Southern Health and Social Care Trust

Estates Management, Fitout, Interiors, Design Firm  
Hospital, 68 Lurgan Road, Poynton, BT9 5DT

SBB01 - Omeigallen Health Centre  
21, Henry Street  
Omeigallen  
BT25 9AH

PROJECT TITLE  
MDT Accommodation Works  
Ground Floor Plan

SCALE: 1:50 DATE: 03 Feb 2026

JOB NUMBER	DRAWING NUMBER	REVISION

Subject to the existing scope of services and any other conditions of contract, the drawings are for information only and do not constitute a contract.