

# ABERDEEN BLIND COMPANY

ESTABLISHED 1952

Measured By: *SM*

DATE MEASURED/ORDERED  
*28/10/25*



50934

TEL: 01224 637609

Customer's Name: *McElhinney*

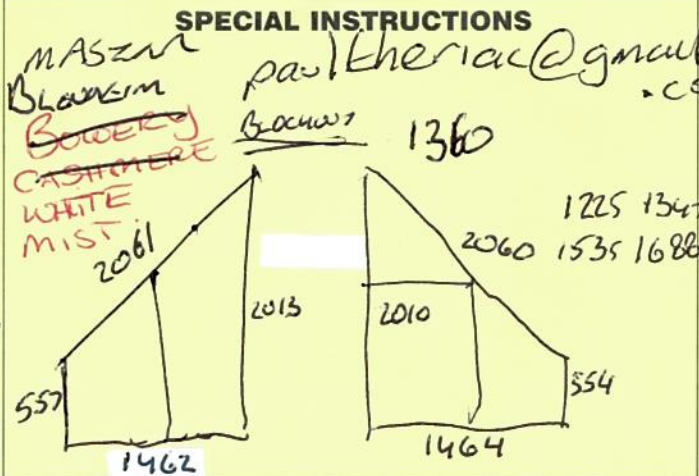
Address: *Westfork*

*Fetteresso*

*STONEHAVEN*

Post Code: *AB39 3UR*

Tel. home	
Tel. work	
mobile	<i>07873181885</i>
email	<i>07562415695 - PAUL</i>



P/CUST	
NET	
PRESS	
RADIO	
MAG.	
VAN	
RECC.	
SHOP	
TV	
YELL P	
OTHER	

Curtains	Pleated	Rollers	Romans	Shutters	Venetians	Vertical	Vision	Wooden	Recess	Exact	Tile	wood fix	stone fix	brackets top face

Room	Width	Drop	Slat Size	Colour	Control LH or RH	Fitting Height	Price
<i>Nursery</i>	<i>1568</i>	<i>1230</i>	<i>Row</i>	<i>Bella 1</i>	<i>RM</i>	<i>2600</i>	<i>1110</i>
<i>Living</i>	<i>654</i>	<i>957</i>	<i>1/4"</i>	<i>Lexington Amber</i>		<i>226</i>	<i>1260</i>
	<i>838</i>	<i>1879</i>		<i>Amber</i>			<i>1260</i>
	<i>838</i>			<i>Amber</i>			<i>1260</i>
	<i>837</i>			<i>Amber</i>			<i>1260</i>
	<i>838</i>			<i>Amber</i>			<i>1260</i>
<i>Kit</i>	<i>520</i>	<i>809</i>		<i>Lexington Amber</i>			<i>615</i>
	<i>555</i>						<i>615</i>
	<i>520</i>						<i>615</i>
	<i>555</i>						<i>615</i>
<i>Guest</i>	<i>754</i>	<i>954</i>		<i>Lexington 150 TAPU</i>	<i>RM</i>		<i>1402 510</i>
	<i>754</i>	<i>954</i>			<i>RM</i>		<i>183</i>
<i>Dress</i>	<i>554</i>	<i>954</i>		<i>Lexington TAPU</i>	<i>RM</i>		<i>183</i>

SAFETY DEVICES SUPPLIED WITH GOODS MUST BE FITTED BY US AT THE TIME OF INSTALLATION. IF YOU REFUSE TO ALLOW A SAFETY DEVICE TO BE FITTED, THEN THE GOODS WILL NOT BE INSTALLED, AND UNDER THESE CIRCUMSTANCES YOU WILL STILL BE LIABLE TO PAY THE FULL PRICE UNDER YOUR CONTRACT. YOU ARE STILL BOUND TO ACCEPT DELIVERY OF THE GOODS AND TO PAY FOR BOTH THE FITTING AND INSTALLATION EVEN ALTHOUGH INSTALLATION HAS NOT BEEN CARRIED OUT.

It is our responsibility to supply you with goods that meet your consumer rights. If you have any concerns that we have not met our legal obligations please contact us. Unless stated, goods and installation service come with 12 month warranty. Full T's & C's on our website.

I have ordered the above goods and agree to pay 50% deposit and the remaining balance when confirming fitting appointment. If payment is not made in full at that time Aberdeen Blinds has the right to remove the goods until full settlement is made. Title of the goods does not pass to the customer until payment has been made in full. Declaring that there shall be no liability for normal damage occasioned by such removal.

Would you like to keep up with us by email?  
sales@aberdeen-blinds.co.uk

Yes  No



TOTAL PRICE *4198*

✓ DEPOSIT *2099*

BALANCE *2099*

PRICE ACCEPTANCE  
Customer's Signature

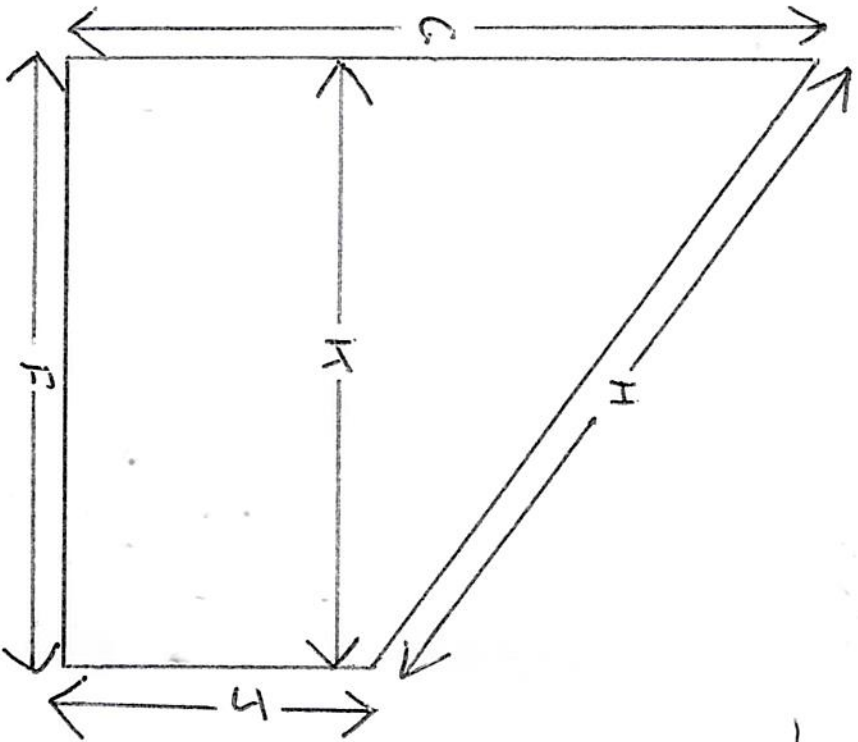
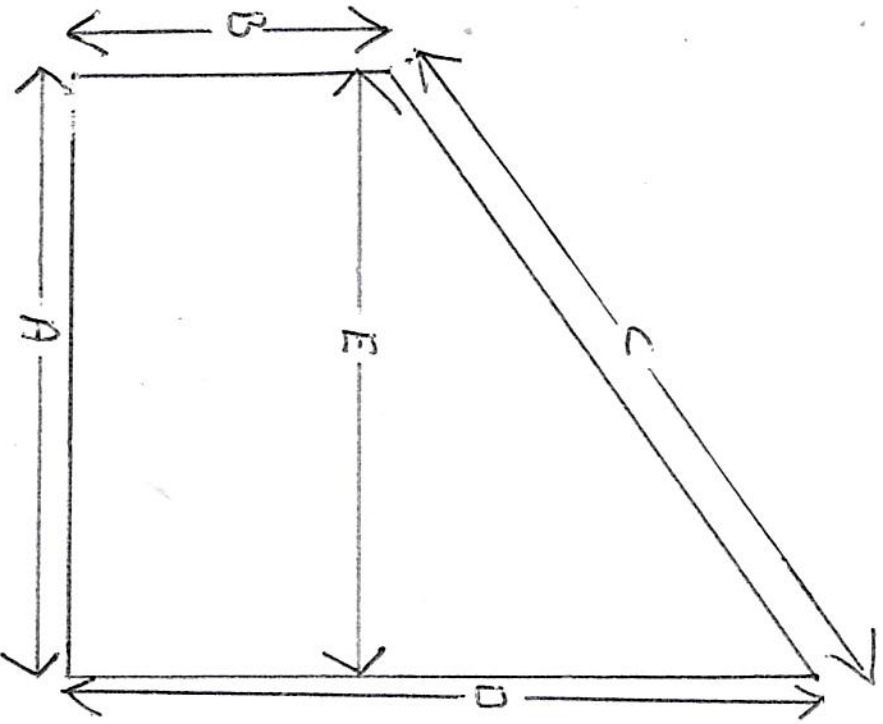
ORDER BALANCE TO BE PAID  
AT FITTING CONFIRMATION

Registered No.: 130460  
VAT Reg. No. 265 3431 64

Shop open Mon - Fri 8am-5pm

50934 M<sup>c</sup> ELLIOTT  
 Rec: 17/12/25

Urnos T



A = 1462  
 B = 557  
 C = 2061  
 D = 2013  
 E = 1462  
 F = 1464  
 G = 2010  
 H = 2060  
 J = 554  
 K = 1464

Are Necess