

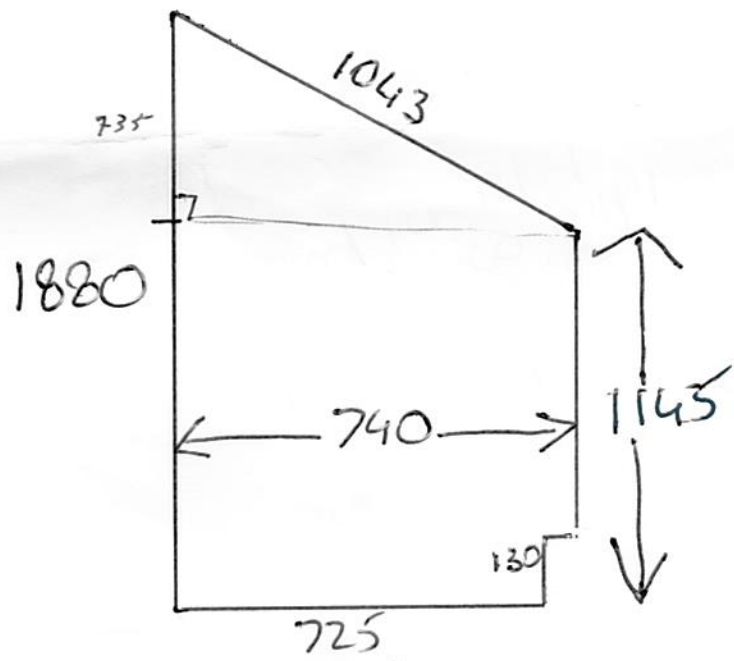
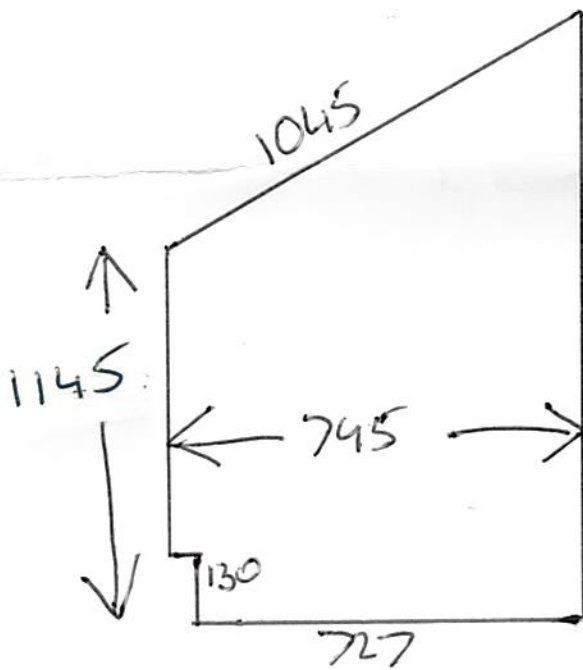
TO : RAINSON
 ATT : JAMES
 DATE : 13/09/2023
 REQ : 25/09/2023
 REF : 46135 Kilmorean

ABERDEEN BLIND COMPANY

ESTABLISHED 1952

32 Esslemont Avenue,
 Aberdeen AB25 1SP
 t: 01224 637609
 f: 01224 631172
 sales@aberdeen-blinds.co.uk
 www.aberdeen-blinds.co.uk

Free-Move Slatted Pleats
 Festinal ESP B/O Willow
 Access Sizes
 Top Fix



With Slats Old Ones Down
 Increase You Can Use Parts

