



D+G SUTTON

From: STEVEN

Ref: 44243 PLATCLIFFE

Tier/Tier With VERTICAL + HORIZONTAL  
T-POSTS

# ABERDEEN BLIND COMPANY

ESTABLISHED 1952

32 Esslemont Avenue,

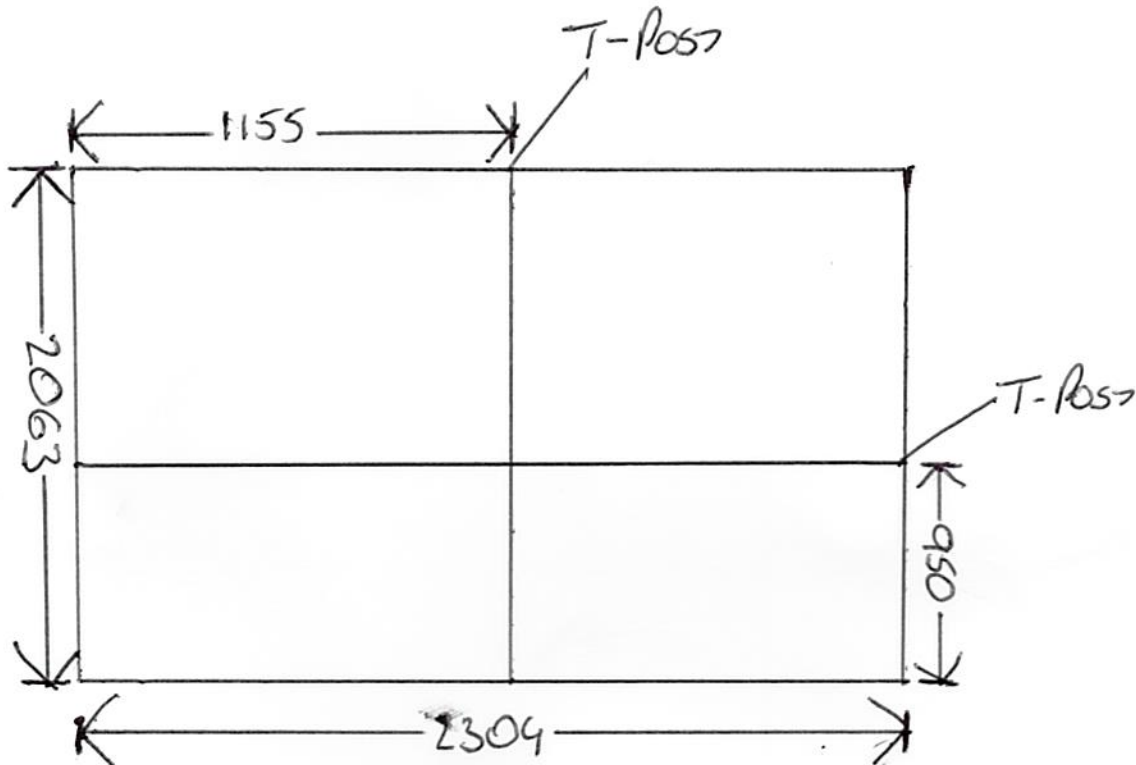
Aberdeen AB25 1SP

t: 01224 637609

f: 01224 631172

sales@aberdeen-blinds.co.uk

www.aberdeen-blinds.co.uk



L, T + R - Deep Burrnose 2 Frame 38mm

BASE - Side RAKE

CONRIC - LLLT RAIL TOP + BOTTOM