

ABERDEEN BLIND COMPANY

32 Esslemont Avenue
Aberdeen
AB25 1SP

42861

**CUSTOMER
ORDER No.**

ESTABLISHED 1952

Tel: 01224 637609

Fax: 01224 631172

Email: sales@aberdeen-blinds.co.uk

DATE
MEASURED/ORDERED
20/ DEC /21

AM PM (MEASURING TIME)

MON				P/CUST	
TUE				NET	
WED				PRESS	
THU				RADIO	
FRI				MAG.	
				VAN	

CURTAINS		
PLEATED		
ROLLERS		
ROMANS		
SHUTTERS		
VENETIAN		
VERTICALS		
VISION		
WOODEN		

AM PM (FITTING TIME)

MON				RECC.	
TUE				SHOP	
WED				TV	
THU				YELL P	
FRI				OTHER	

Customer's Name Ian Finlayson

Address 2 cross

ISLE OF LEWIS Post Code HS20SN

Tel. home	<u>01851 810720</u>
Tel. work	
mobile	<u>07880816372</u>
email	

ALL BLINDS TO BE PAID FOR AT TIME OF FITTING

Room	Width	Drop	Slat Size	Colour	Control LH or RH	Fitting Height	Any other Instructions	Price
Ian	2x SQUARES	1x ROLLER BLIND	5x P/Blinds					
<div style="border: 1px solid black; border-radius: 50%; padding: 10px; display: inline-block;">20mm brackets</div>								
<div style="border-bottom: 3px double black; width: 100%;"></div> <p style="font-size: 2em; margin: 0;">WOODIES FOR CARRIAGE</p>								

alum	anthracite	black	brown	champ-gold	chrome	silver	white	recess size	motorised	wood fix	stone fix	brackets top	brackets face
------	------------	-------	-------	------------	--------	--------	-------	-------------	-----------	----------	-----------	--------------	---------------

measured by <u>[Signature]</u>	fitted by	date	CASH	CHEQUE	SPREE
			INVOICE	CARD	

ALL BLINDS MANUFACTURED AFTER 1st APRIL 2014 MUST COMPLY WITH NEW CHILD SAFETY LAWS. SAFETY DEVICES SUPPLIED WITH GOODS MUST BE FITTED BY US AT THE TIME OF INSTALLATION. REFUSAL TO ALLOW A SAFETY DEVICE TO BE FITTED WILL RESULT IN THE BLINDS NOT BEING INSTALLED. UNDER THE TERMS OF THIS CONTRACT YOU WILL BE LIABLE TO ACCEPT DELIVERY AND PAY THE FULL AMOUNT.

I have ordered the above goods and agree to pay 50% deposit and the remaining balance on the day of fitting. If payment is not made in full at that time Aberdeen Blinds has the right to remove the goods until full settlement is made. Title of the goods does not pass to the customer until payment has been made in full. Declaring that there shall be no liability for normal damage occasioned by such removal.

TOTAL PRICE	£ <u>2000</u>	To Be Confirmed <u>Go Ahead.</u>	Special Instructions
DEPOSIT	£ <u>1000</u>		
BALANCE	£ <u>1000</u>	PRICE ACCEPTANCE Customer's Signature	

ies

From: Ian Finlayson <hellofinnie@hotmail.com>
Sent: Monday, December 20, 2021 11:41 AM
To: Sales
Subject: Re: Xerox Scan

Follow Up Flag: Follow up
Flag Status: Completed

Ah superb, let's go ahead with that then.

Order will be all white and we just need to make sure the upper ones have cords long enough to get to the floor, peak to floor is almost 5m

Regards

Ian

Get [Outlook for Android](#)

From: Sales <sales@aberdeen-blinds.co.uk>
Sent: Monday, December 20, 2021 10:43:17 AM
To: Ian Finlayson <hellofinnie@hotmail.com>
Subject: RE: Xerox Scan

Good morning

Thank you for your reply – that's ok at this time of year we are all busy for Santa! I have spoken with Steven – he said he can do this for £2000 for you. Yeah the bottom ones will be ok and not flap when the doors are open, the higher ones will be cord operated 😊 the below is what the bottom ones would come like in the colour you choose.

I look forward to your reply. I hope you have a nice Christmas and new Year when it comes 😊

Kind Regards

Alysha

Aberdeen Blind Company

32 Esslemont Avenue

Aberdeen, AB25 1SP

t. 01224 637609 f. 01224 631172

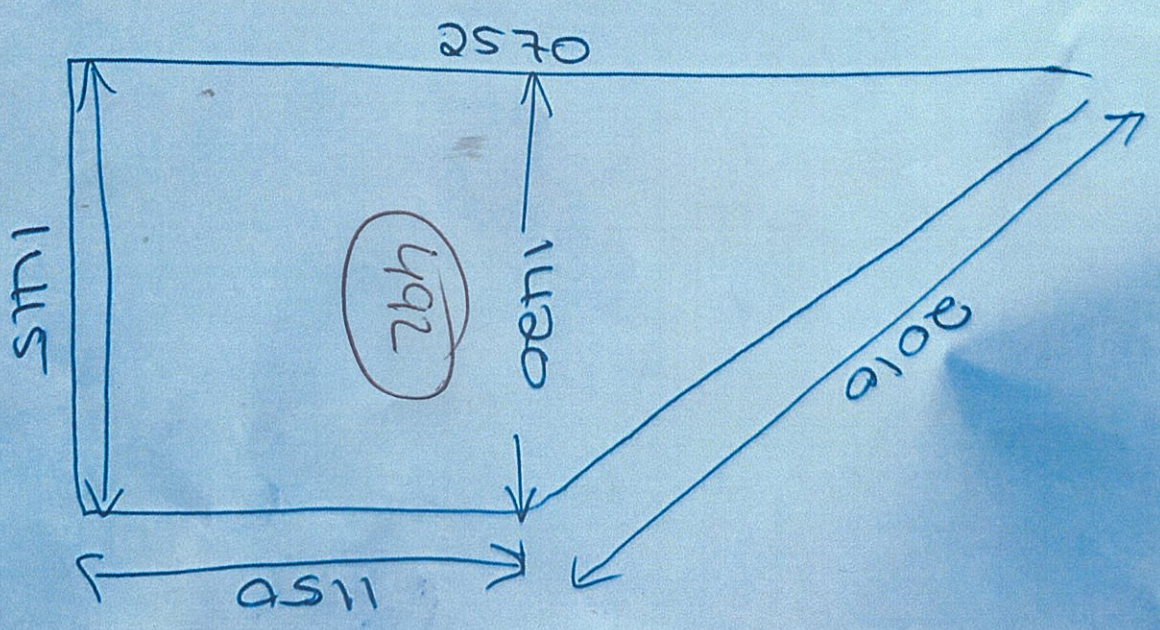
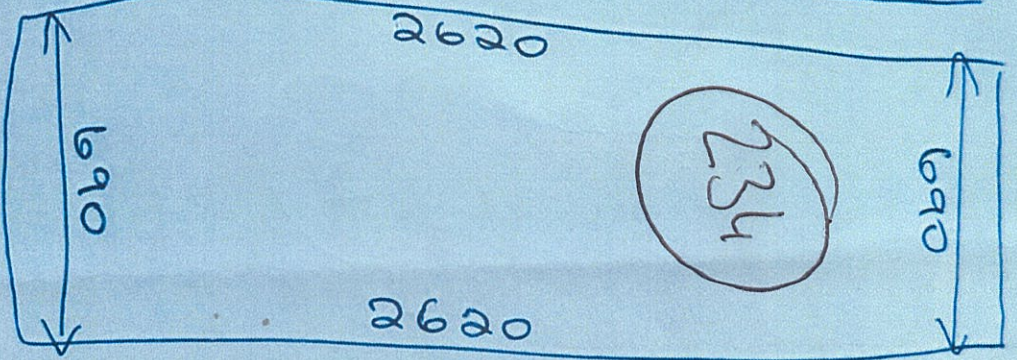
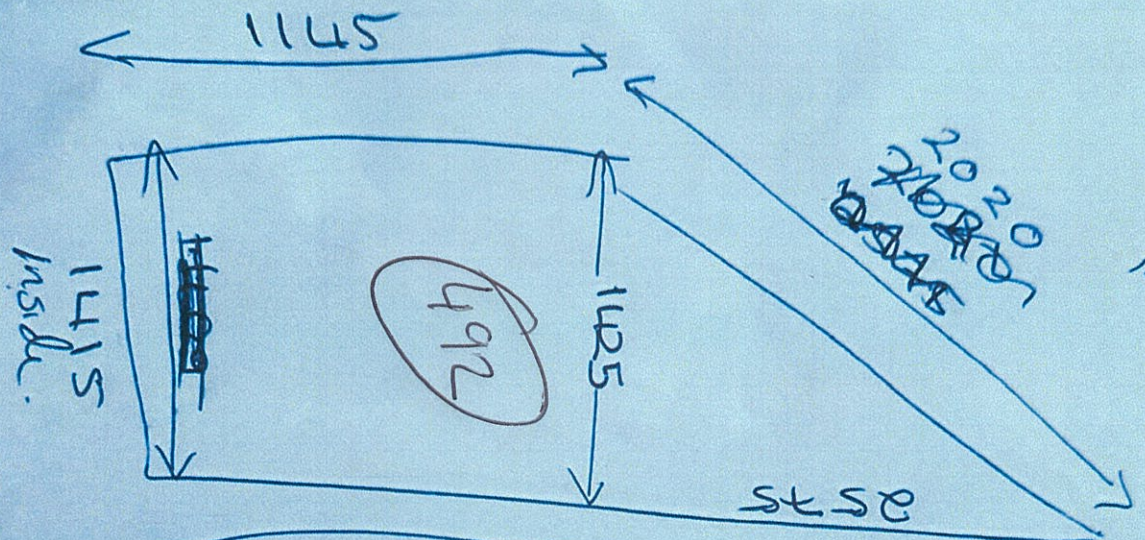
e. sales@aberdeen-blinds.co.uk

w. www.aberdeen-blinds.co.uk

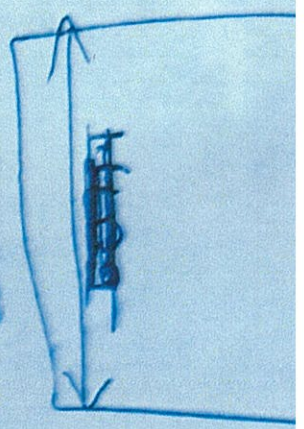
ABERDEEN
BLIND COMPANY
ESTABLISHED 1952

From: Ian Finlayson <hellofinnie@hotmail.com>
Sent: Monday, December 20, 2021 10:17 AM

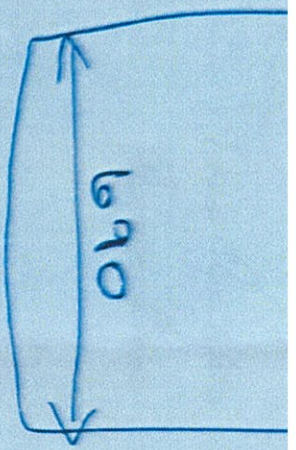
Microwave 350m deep



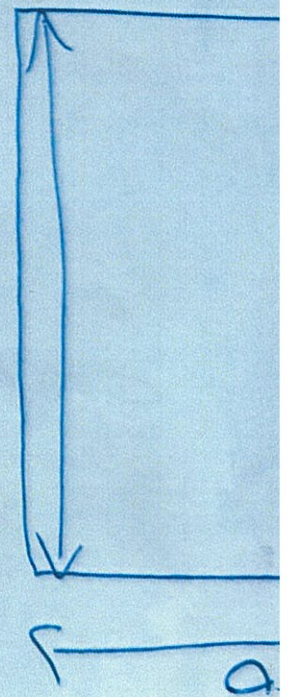
114



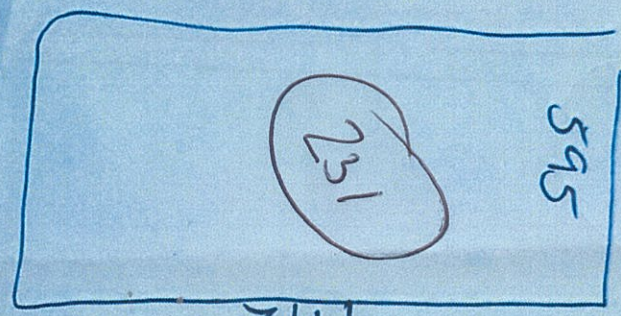
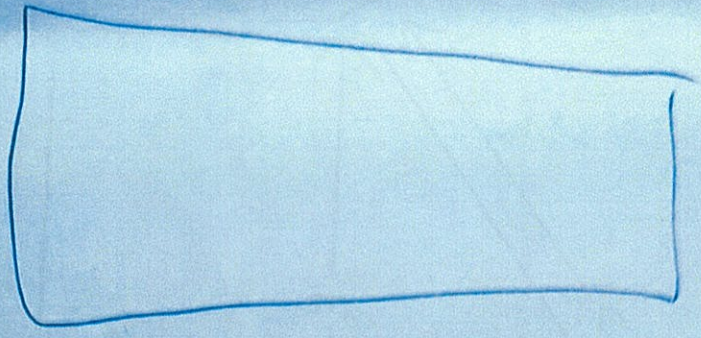
1415
inside.



690



1415

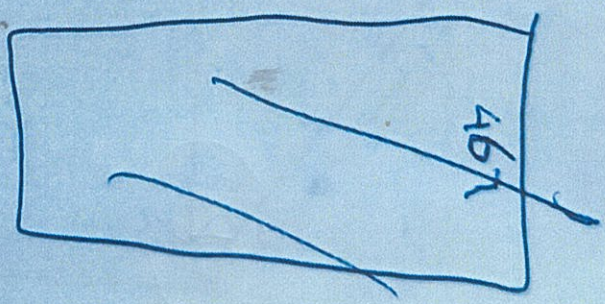


595

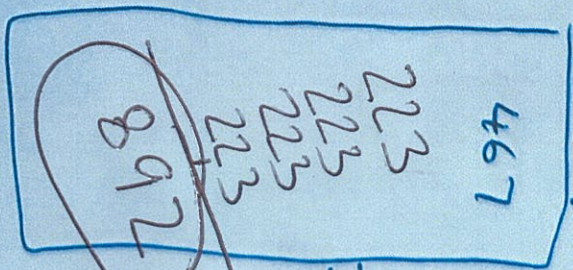
1X

1912

231



467



467

4X

1790

223
223
223
223
223

892

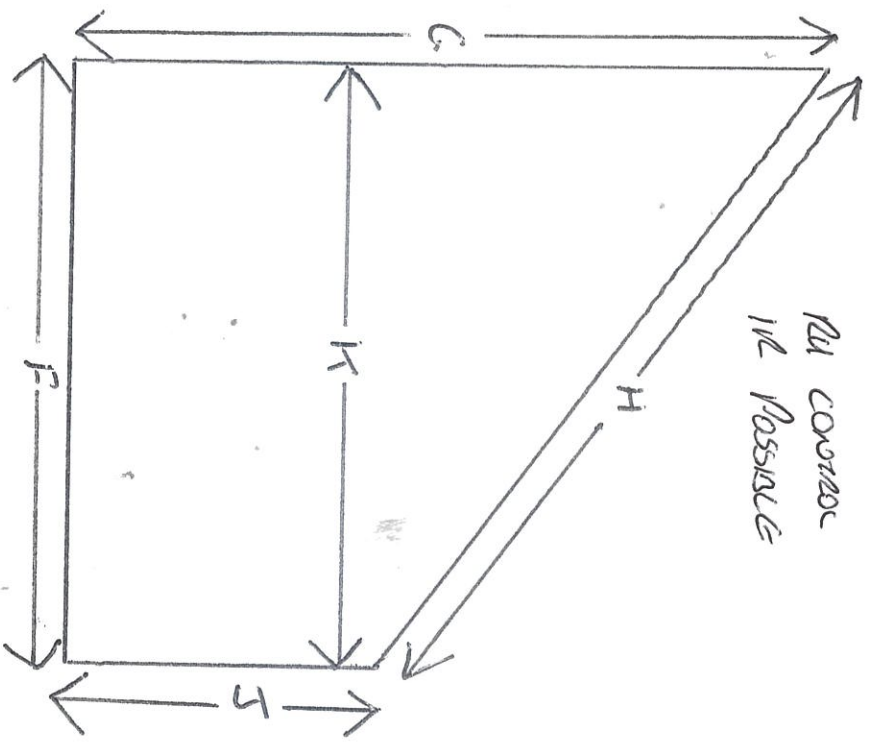
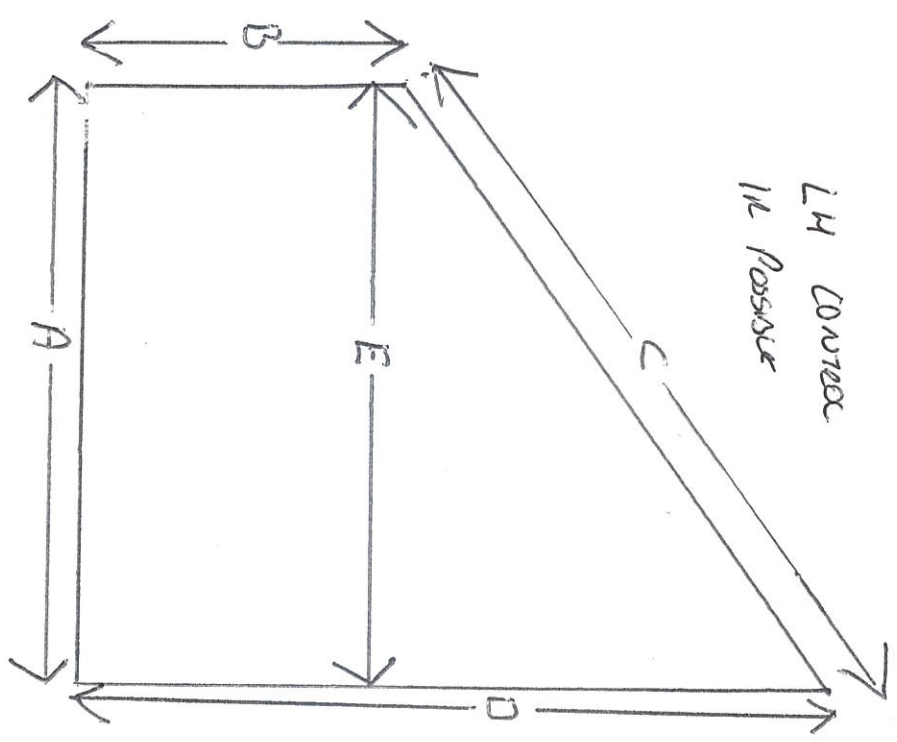
2350
+ 2570
4920

Floor to top.

opve windows/french.

Rev 3 Finlayson
42861

All recess sizes
White Ennis



- A = 1415
- B = 1145
- C = 2020
- D = 2575
- E = 1415
- F = 1415
- G = 2570
- H = 2010
- I = 1150
- K = 1415

Cond's Need To Be 5000mm Long - No Curio
Break-Away System
Really High Up