

ABERDEEN BLIND COMPANY

32 Eslemont Avenue
Aberdeen
AB25 1SP

42138

CUSTOMER ORDER No.

ESTABLISHED 1952

Tel: 01224 637609

Fax: 01224 631172

Email: sales@aberdeen-blinds.co.uk

DATE MEASURED/ORDERED

28/August/21

AM PM (MEASURING TIME)

MON		
TUE		
WED	✓	12-5
THU		
FRI		

P/CUST	
NET	
PRESS	
RADIO	
MAG.	
VAN	
RECC.	
SHOP	
TV	
YELL P	
OTHER	

Cu: Ian Finlayson
Ad: 2 cross
ISIE OF LEWIS
HS2 OSN
STONEMAN

Tel: [redacted]
Tel. work: [redacted]
mobile: [redacted]
email: [redacted]

CURTAINS	
PLEATED	
ROLLERS	
ROMANS	
SHUTTERS	✓ 1-3
VENETIAN	
VERTICALS	
VISION	
WOODEN	

AM PM (FITTING TIME)

MON		
TUE		
WED		
THU		
FRI		

ALL BLINDS TO BE PAID FOR AT TIME OF FITTING

Room	Width	Drop	Slat Size	Colour	Control LH or RH	Fitting Height	Any other Instructions	Price
		3 no		Blue Wave Plura				
				HALO B/Out Hura				
				Scan drawing over to rainbow 9 transfer				
				Need to [redacted] His Address				

alum	anthracite	black	brown	champ-gold	chrome	silver	white	recess size	motorised	wood fix	stone fix	brackets top face
------	------------	-------	-------	------------	--------	--------	-------	-------------	-----------	----------	-----------	-------------------

measured by	fitted by	date	CASH	CHEQUE	SPREE
[signature]			INVOICE	CARD	

ALL BLINDS MANUFACTURED AFTER 1st APRIL 2014 MUST COMPLY WITH NEW CHILD SAFETY LAWS. SAFETY DEVICES SUPPLIED WITH GOODS MUST BE FITTED BY US AT THE TIME OF INSTALLATION. REFUSAL TO ALLOW A SAFETY DEVICE TO BE FITTED WILL RESULT IN THE BLINDS NOT BEING INSTALLED. UNDER THE TERMS OF THIS CONTRACT YOU WILL BE LIABLE TO ACCEPT DELIVERY AND PAY THE FULL AMOUNT. I have ordered the above goods and agree to pay 50% deposit and the remaining balance on the day of fitting. If payment is not made in full at that time Aberdeen Blinds has the right to remove the goods until full settlement is made. Title of the goods does not pass to the customer until payment has been made in full. Declaring that there shall be no liability for normal damage occasioned by such removal.

TOTAL PRICE £ 642

DEPOSIT £ ~~321~~ 321

BALANCE £ ~~321~~ 321

To Be Confirmed

Go Ahead

PRICE ACCEPTANCE

Customer's Signature

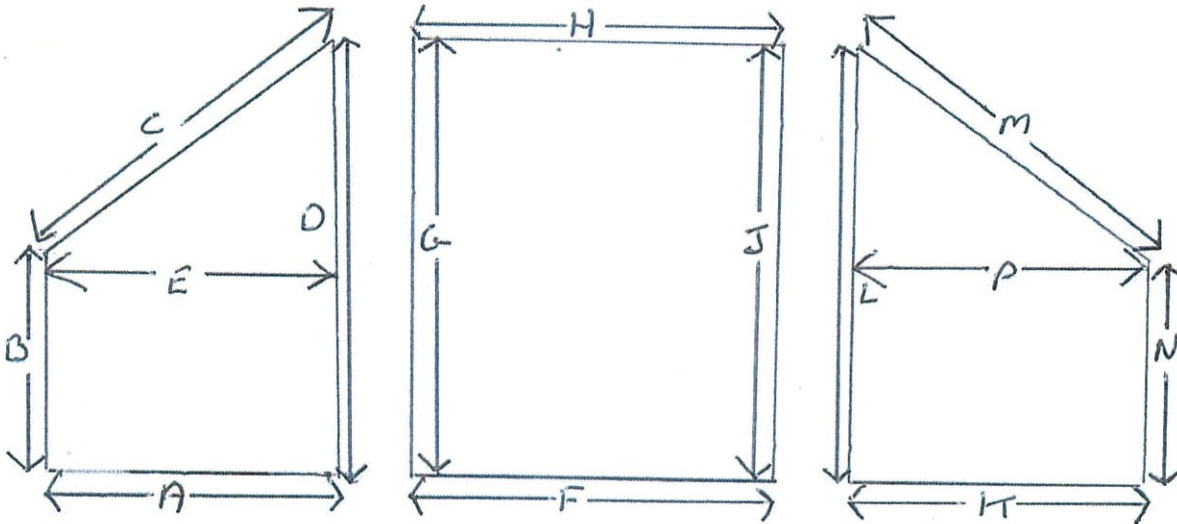
Special Instructions

Go Ahead

EIR: FINLAISON 42138
 DATE: 23/08/21
 REQ DATE: 22/09/21

ABERDEEN
BLIND COMPANY
 ESTABLISHED 1952

32 Esslemont Avenue,
 Aberdeen AB25 1SP
 t: 01224 637609
 f: 01224 631172
 sales@aberdeen-blinds.co.uk
 www.aberdeen-blinds.co.uk



A = 390
 B = 670
 C = 552
 D = 1065
 E = 390
 F = 633
 G = 1114
 H = 633
 J = 1114
 K = 395
 L = 1072
 M = 557
 N = 672
 P = 395

HAZO B/OUT
 HERON

USE BEST COLOUR FOR
 RAUS TO MATCH FABRIC

TOP + FACE THRU BRACKETS

All Sizes in mm



Aberdeen Blind Company

From: Ian Finlayson <hellofinnie@hotmail.com>
Sent: Friday, August 20, 2021 5:19 PM
To: Aberdeen Blind Company
Subject: Re: Xerox Scan
Attachments: PXL_20210820_160059811.jpg

Please find dimensions below

A - 390
B - 670
C - 552
D - 1065
E - 390
F - 633
G - 1113
H - 633
J - 1114
K - 395
L - 1072
M - 557
N - 672
P - 395

From: Aberdeen Blind Company <Sales@aberdeen-blinds.co.uk>
Sent: 19 August 2021 10:28
To: 'Ian Finlayson' <hellofinnie@hotmail.com>
Subject: RE: Xerox Scan

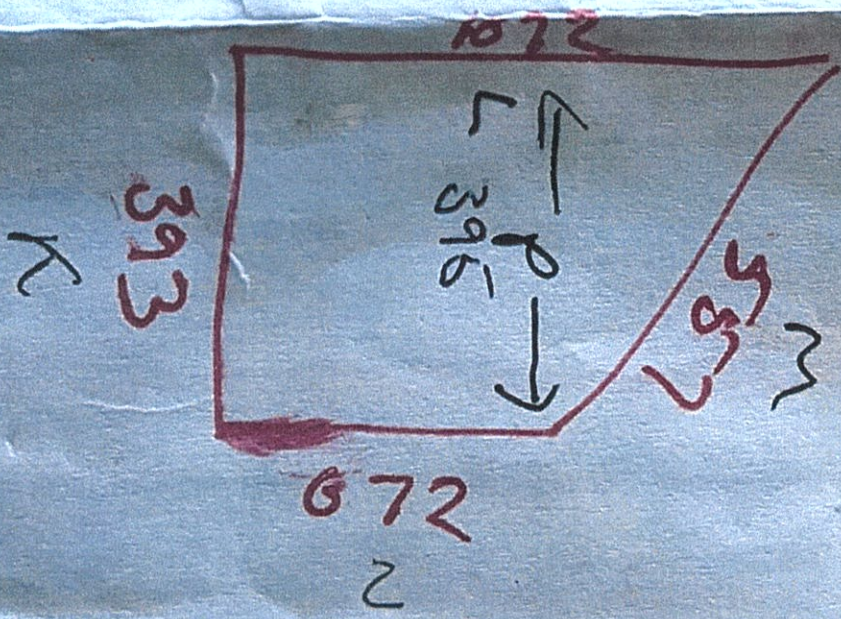
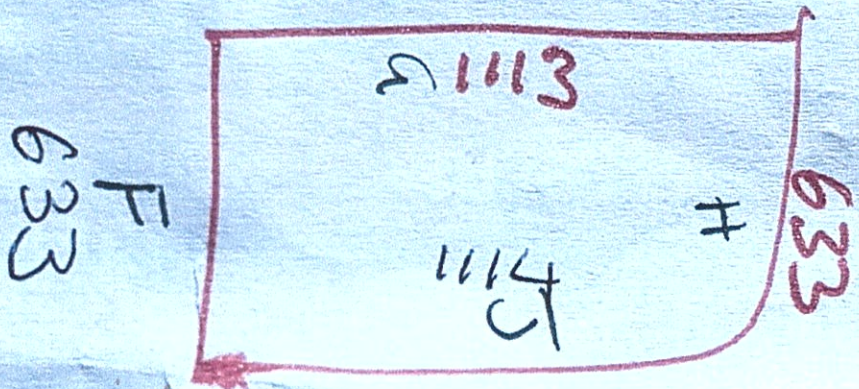
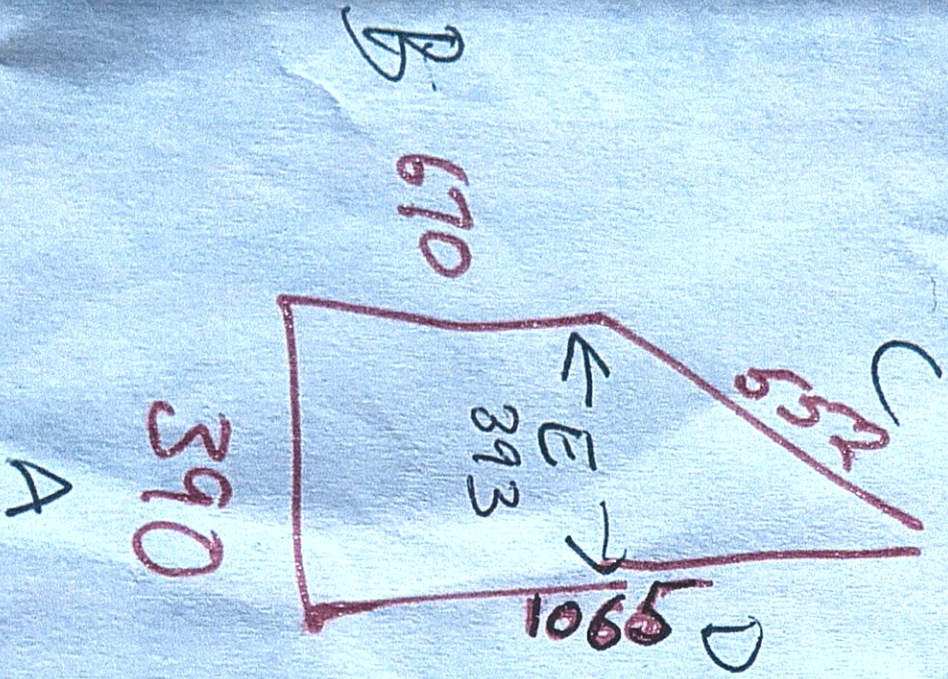
Good Morning,

No problem at all I will let steven know 😊

Kind Regards

Aberdeen Blind Company
32 Esslemont Avenue
Aberdeen, AB25 1SP
t. 01224 637609 f. 01224 631172
e. sales@aberdeen-blinds.co.uk
w. www.aberdeen-blinds.co.uk

ABERDEEN
BLIND COMPANY
ESTABLISHED 1952



Aberdeen Blind Company

From: Steven Nimmo <steven@aberdeen-blinds.co.uk>
Sent: Thursday, July 29, 2021 6:35 PM
To: 'Aberdeen Blind Company '
Subject: FW: Gable End Blind
Attachments: Kathryn window sizes.pdf

Hi Alysha,

Please print off.

Steven Nimmo

m. 07740851162 t. 01224 637609
Aberdeen Blind Company
32 Esslemont Avenue
Aberdeen, AB25 1SP
e. steven@aberdeen-blinds.co.uk
w. www.aberdeen-blinds.co.uk

6642

ABERDEEN
BLIND COMPANY
ESTABLISHED 1952

From: Ian Finlayson <hellofinnie@hotmail.com>
Sent: 29 July 2021 12:54
To: Steven Nimmo <steven@aberdeen-blinds.co.uk>
Subject: Re: Gable End Blind

Hi Steven

I know it's been a long time but we've been getting fed up of long summer nights in our youngest bedroom.

Can we re ignite this order?

What I am thinking of is going for a halo blackout heron pleated blind for the small bedroom window.

I think the plan would be to see if that goes well then we would then progress on to the bigger window order too. I'm nervous of any issues so would like to use the small window as a test.

Do you still have the dimensions? They are attached but before confirming order I would like to accurately redo them anyway

